



18155 Edison Avenue • Chesterfield, Missouri 63005

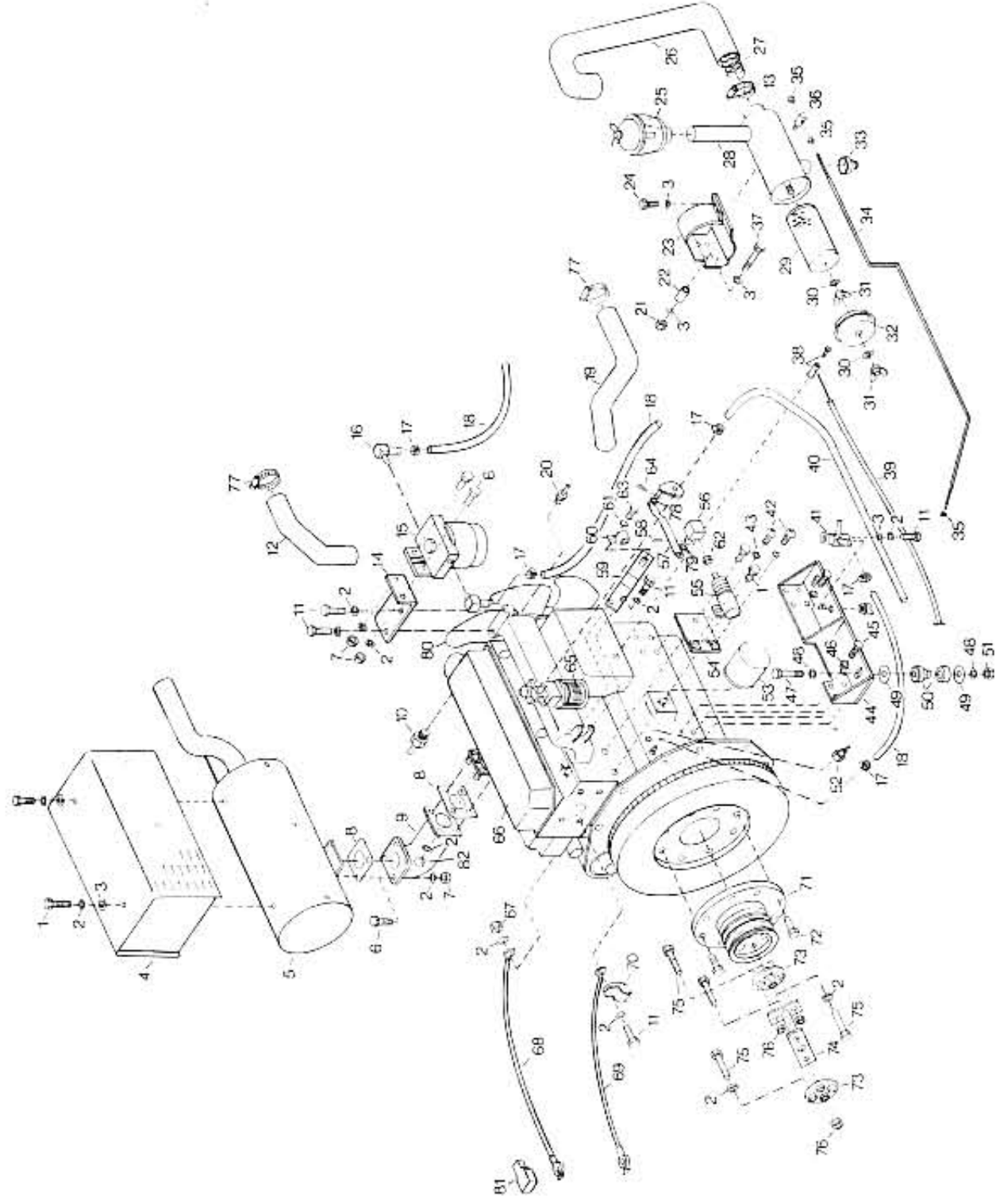
TURF BLAZER
727
1040
Parts Manual

MODEL Y40H TRACTOR
MODEL C72D ROTARY MOWER
MODEL C60D ROTARY MOWER

INDEX

ELECTRICAL SCHEMATIC	2-3
ENGINE ASSEMBLY	4
RADIATOR ASSEMBLY	6
TRACTION DRIVE ASSEMBLY	8
PTO ASSEMBLY	10
LIFT/BRAKE ASSEMBLY	12
STEERING ASSEMBLY	14-17
HYDRAULIC SYSTEM	18
FRAME ASSEMBLY	20
HOOD/COVERS/PANELS	22
INSTRUMENT PANEL	24
TRANSMISSION ASSEMBLY	26
TRANSAXLE ASSEMBLY	28
LIFT CYLINDER ASSEMBLY	30
GEARBOX ASSEMBLY	31
CUTTING UNIT ASSEMBLY	32

ENGINE ASSEMBLY



Item Part #	No Req'd	Description
1	1987	Bolt - 8mm x 12mm
2	1201	Lockwasher - 5/16
3	1221	Flatwasher - 5/16
4	05-300	Muffler Guard
5	05-262	Muffler
6	1213	Bolt 5/16 - 18 x 1
7	1102	Nut 5/16 - 18
8	129400-	Muffler Gasket
9	05-235	Muffler Pipe Elbow
10	121250-	High Temp Switch
11	02-225	High Temp Switch
12	1307	Bolt-8mm x 16mm
13	129550-	Radiator Hose-Top
14	04-038	Hose Clamp
15	05-266	Water Separator Mnt. Brkt.
16	03-492	Fuel/Water Separator Assy.
17	03-493	Water Separator Element Only
18	13-353	Water Separator 90° Fitting
19	04-082	Hose Clamp 1/2
20	13-090	Specify Length Hose - 5/16 I.D.
21	12955-	Radiator Hose-Lower
22	02-253	Temperature Sender
23	1111	Locknut - 5/16 - 18
24	05-366	Air Cleaner Mnt. Spacer
25	129403-	Air Cleaner Mnt. Bracket
26	1859	Bolt - 8mm x 30mm
27	05-236	Precleaner
28	05-380	Precleaner Plastic Bowl Only
29	05-313	Air Intake Hose
30	05-244	Air Hose Spring
31	129489-	Air Filter Housing
32	12540	Air Filter Element
33	129150-	Seal Washer
34	12510	
35	129150	
36	12560	

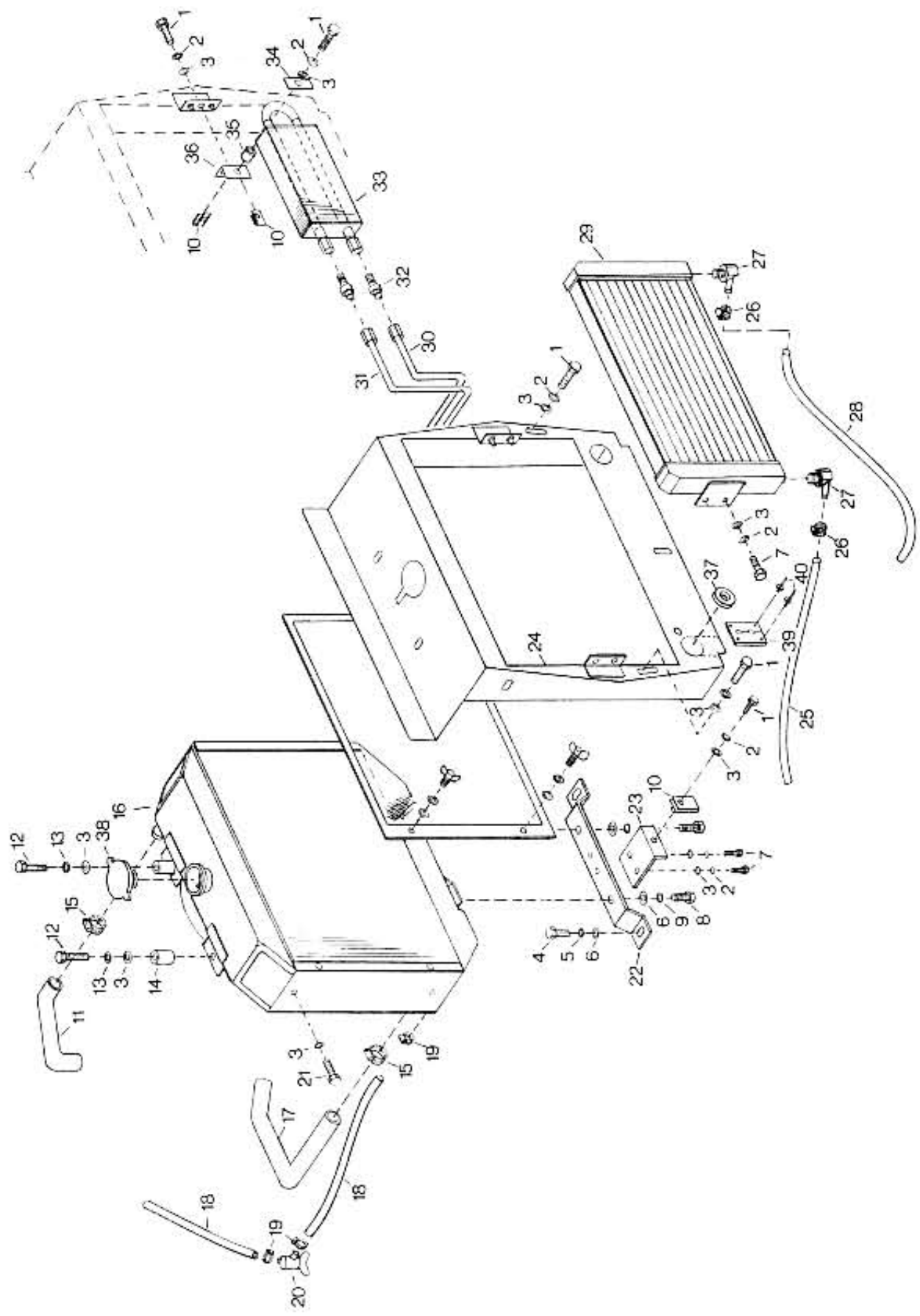
Item Part #	No Req'd	Description
37	8	Wing Nut
38	12550	Cover
39	129150-	Unloader Valve
40	05-368	Speed Control Linkage Rod
41	1110	Locknut - 1/4 - 20
42	05-344	Adjustment Pivot
43	1026	Bolt - 5/16 - 18 x 2 1/4
44	08-120	Capable Stop
45	05-278	Speed Control Cable
46	03-705	Specify Length 1/4 I.D. Hose
47	05-240	3-Way Drain Valve
48	1896	Bolt - 1/4 - 20 x 1/2 Phillips Rd. Hd.
49	1200	Lockwasher - 1/4
50	05-298	Engine Mount Left
51	05-2999	Engine Mount Right
52	05-239	Engine Mount Left
53	05-238	Engine Mount Right
54	1990	Bolt - 10mm x 1.5 x 25mm
55	1996	Lockwasher - 10mm
56	1618	Bolt - 1/2 - 13 - 3 1/2
57	1223	Flatwasher - 1/2
58	2023	Eng. Mnt. Snub Washer
59	04-287	Engine Mount
60	04-036	Engine Mount
61	1747	Locknut - 1/2 - 13
62	12416-	Oil Pressure Switch
63	39450	Oil Filter
64	129150-	Solenoid Mnt. Brkt.
65	35150	Fuel Shut-Off Solenoid
66	05-254	Fuel Shut-Off Solenoid
67	02-218	Pivot - Solenoid Adjust Nut
68	02-210	Solenoid Stop Linkage
69	05-369	Hair Pin Clip
70	129428-	Throttle Cable Mnt. Brkt.
71	66822	
72	22360-	
73	060000	
74	05-367	

Item Part #	No Req'd	Description
75	129150-	Conduit Clip
76	1220	Flatwasher - 1/4
77	1856	Hex Nut - 1/4 - 28
78	1000	Bolt - 1/4 - 20 x 3/4
79	22360-	Hair Pin Clip
80	060000	Fuel Filter Element
81	129100-	Basic Engine - 40 H.P.
82	55650	Hex Nut - 8mm x 1.25
83	05-232	Battery Cable - Positive
84	1988	Battery Cable - Negative
85	02-070	Clamp
86	02-071	PTO Pulley
87	05-097	Bolt 8mm x 1.25 x 30mm
88	04-274	Coupling
89	1859	Trans. Coupling Shaft
90	5006C	Bolt - 5/16 - 24 x 1 3/4
91	05-241	Locknut - 5/16 - 24
92	1972	Hose Clamp
93	1115	Flatwasher 8mm
94	05-120	Flatwasher 6mm
95	22117-	Fan Blade
96	080000	Battery Cable Cover
97	22117-	Nut - 8mm x 1.25
98	060000	
99	121267-	
100	44741	
101	5132 _(HAW)	
102	1988	

* 1967 40 H.P. 727 Only
Serial Nos. D75-0034, D74-0059,
4D75-0001, to 4D75-0010, 4D74-0001 to 4D74-0035

** 1987 40 H.P. 727 Only
Serial Nos. 4D75-0034 to D74-0059,
4D74-0001 to 4D74-0027
4D75-0001 to 4D75-0006

RADIATOR/OIL COOLER ASSEMBLY

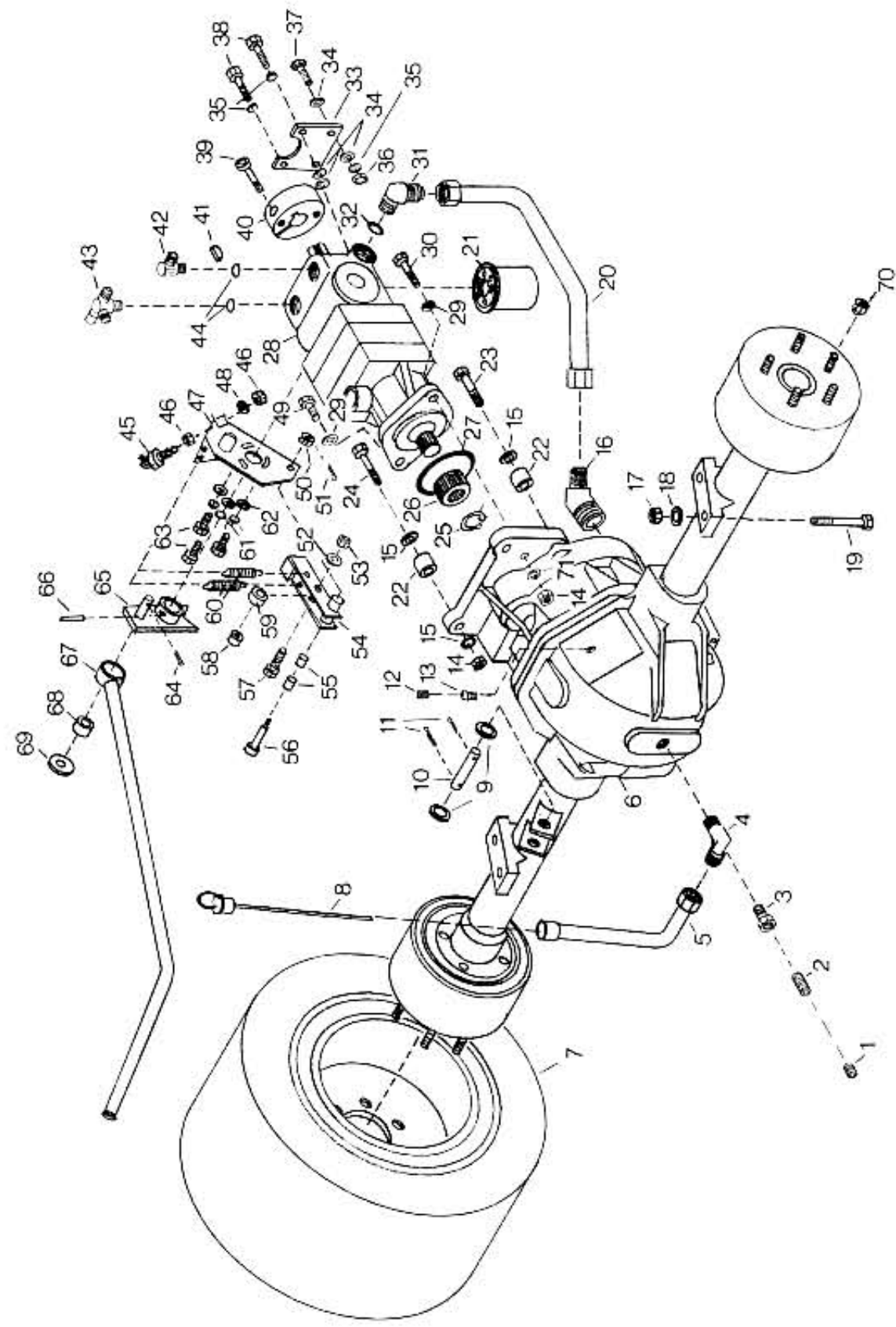


Item	Part #	No. Req'd.	Description
1	1003	5	Bolt - 1/4 - 20 x 1
2	1200	8	Lockwasher - 1/4
3	1220	10	Flatwasher - 1/4
4	1030	2	Bolt - 3/8 - 16 x 3/4
5	1202	2	Lockwasher - 3/8
6	1222	2	Flatwasher - 3/8
7	1000	3	Bolt - 1/4 - 20 x 3/4
8	1838	2	Bolt - 10mm x 20mm
9	1996	2	Lockwasher - 10mm
10	1732	3	"U" Nut - 1/4 - 20
11	129550-49010	1	Radiator Hose - Top
12	1989	2	Bolt - 8mm x 40mm
13	1201	2	Lockwasher - 5-16
14	05-343	2	Radiator Frame Mnt. Spacer
15	05-120	4	Hose Clamp
16	129555-44500	1	Radiator (Includes Screen)
17	129550-49020	1	Radiator Hose - Bottom
18	13-090	Specify Length	Hose - 5/16 I.D.
19	04-082	4	Hose Clamp
20	05-240	1	3 - Way Drain Valve
21	1987	2	Bolt - 8mm x 12mm

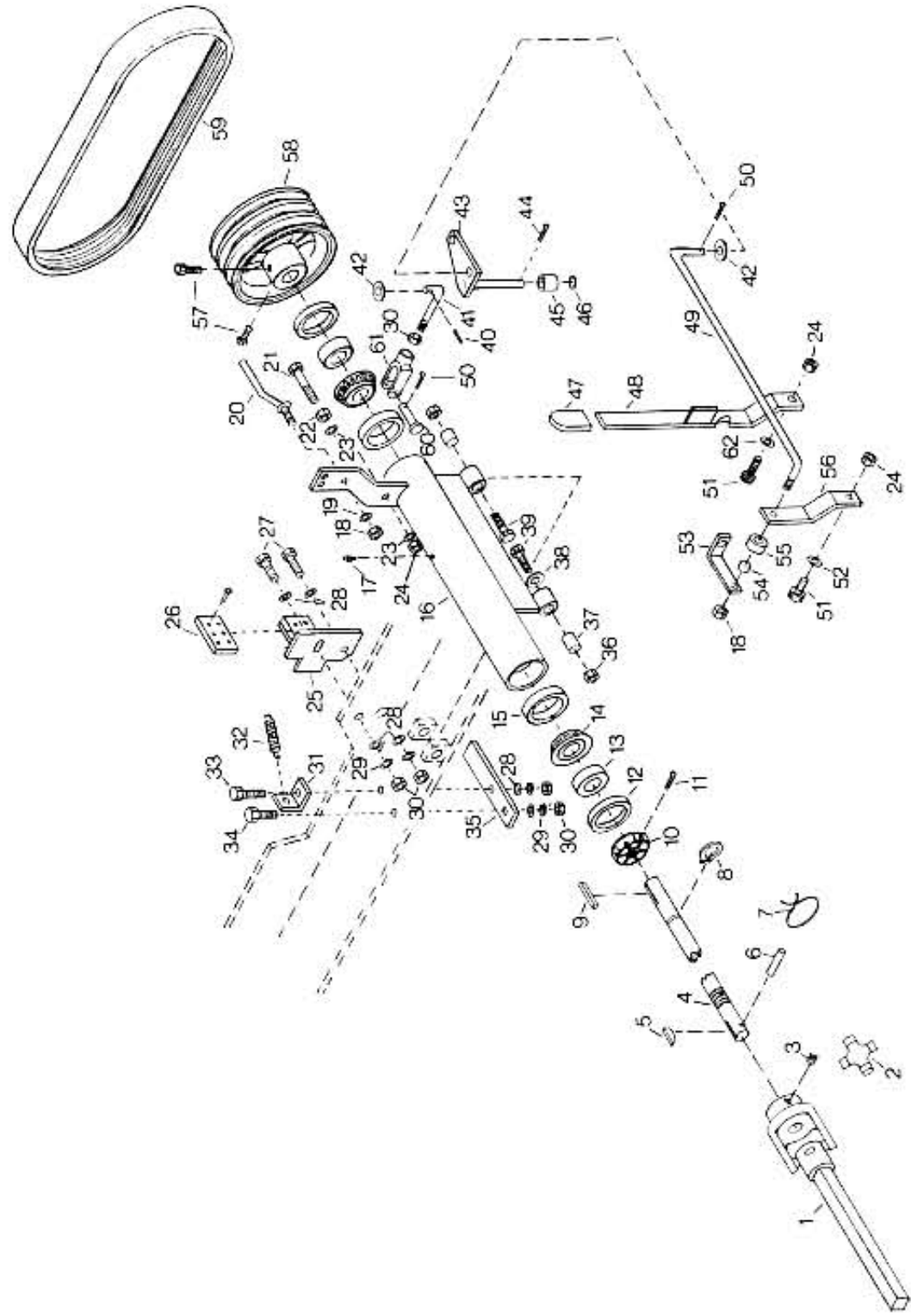
Item	Part #	No. Req'd.	Description
22	05-260	1	Radiator Mnt. Bracket
23	05-261	1	Radiator Frame Mnt. Bracket
24	05-245	1	Radiator Frame Welded Assy.
25	13-342	1	Hose - Bulkhead to Cooler
	13-244	1/1987*	Hose - Return to Cooler
26	6023	2	Hose Clamp
27	13-241	2	Fitting - 45°
28	13-341	1	Hose - Cooler to Manifold
	13-243	1/1987*	Hose - Cooler to Filter
29	13-364	1	Oil Cooler
30	13-344	1	Tube Assy. - Oil Cooler to Trans.
31	13-343	1	Tube Assy. - Valve to Oil Cooler
32	03-246	2	Fitting
33	03-810	1	Oil Cooler
34	05-087	1	Oil Cooler Clamp Plate
35	05-013	1	Rubber Grommet
36	05-342	1	Oil Cooler Mnt. Bracket
37	04-186	2	Rubber Grommet
38	123682-44210	1	Radiator Cap
39	05-386	1	Rubber Seal
40	1779	4	Pop Rivet 1/8 x 1/4

* 1987 40 H.P. 727 Only
 Serial Nos. D75-0034, D740059, 4D75-0001
 to 4D75-0010, 4D74-0001 to 4D74-0035

TRACTION DRIVE ASSEMBLY

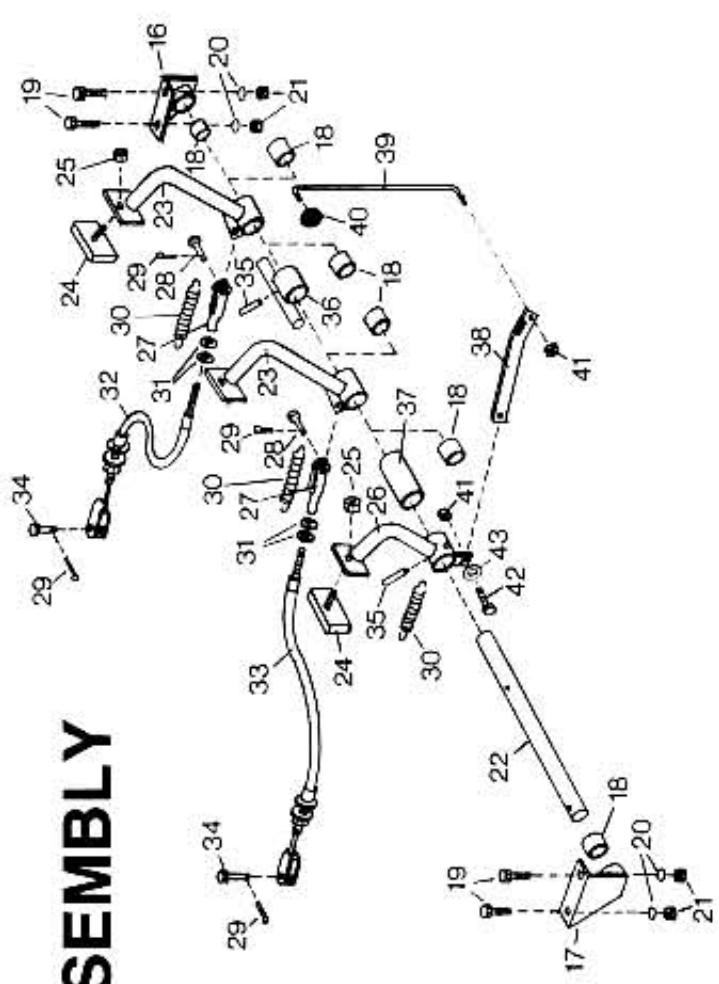
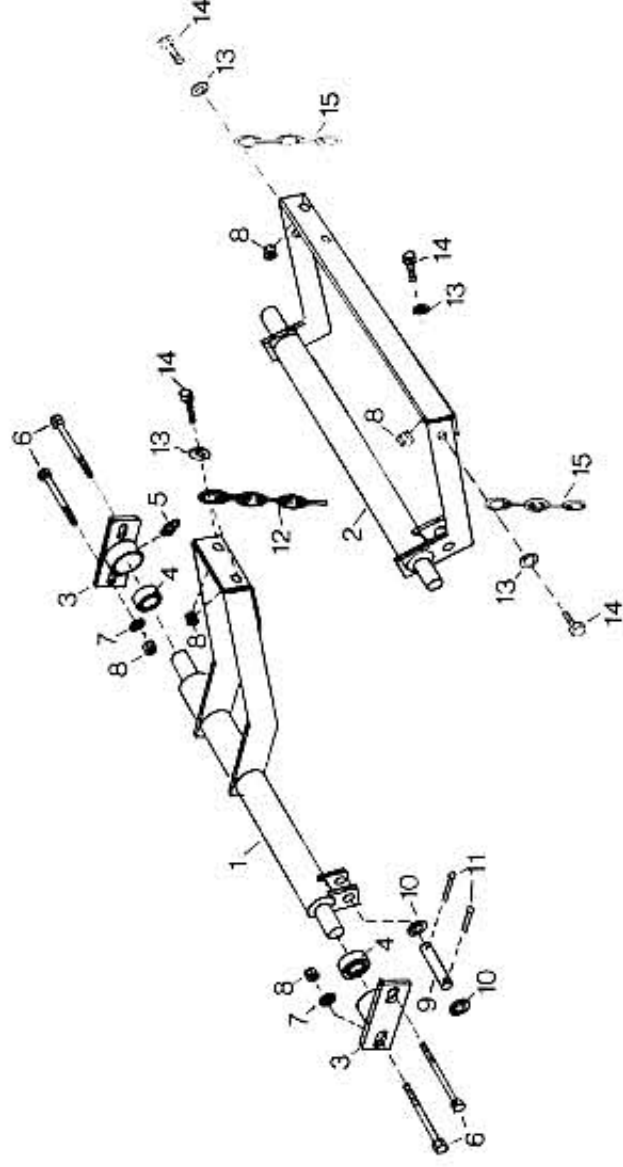


Item Part#	No. Req'd	Description	Item Part#	No. Req'd	Description	Item Part#	No. Req'd	Description
1	1/104	1/2 Pipe Plug	23	1507	Bolt - 3/8 - 16 x 2	47	05-017	Neutral Adjust Plate
2	13-322	Fitting - Str.	24	1873	Bolt - 3/8 - 16 x 2 1/2	48	1798	Starwasher - 5/8 Internal
3	13-363	Reducer Bushing	25	6031	Retaining Ring	49	1824	Bolt - 3/8 - 16 x 1 1/4
4	03-417	Fitting - 90°	26	05-116	Drive Gear	50	1800	Slotted Nut - 5/16 - 18
5	03-418	Filler Tube	27	03-235	"O" Ring	51	1601	Cotter Pin 1/16 x 1/2
6	05-363	Transaxle	28	03-659	Transmission	52	1222	Flatwasher - 3/8
7	05-004	Drive Wheel Assy.	29	1202	Lockwasher - 3/8	53	1111	Locknut - 5/16
-	05-005A	Drive Wheel Only	30	1822	Bolt - 3/8 - 16 x 1 3/4	54	05-020	Neutral Strap
-	05-006	Drive Tire	31	03-696	Fitting - 90°	55	04-129	Bushing
-	05-007	Repair Tube	32	03-129	"O" Ring	56	1766	Shoulder Bolt - 3/8 x 1 1/2 W/Cross Drill
8	05-191	Dipstick	33	05-111A	Trans. Stabilizer Brkt.	57	1774	Shoulder Bolt - 3/8 x 3/4
9	1235	Flatwasher 3/4 SAE	34	05-372	1/1987* Trans. Stabilizer Brkt.	58	04-134	Bushing
10	05-022	Cylinder Mount Pin	35	1201	Flatwasher - 5/16	59	05-019	Roller
11	1863	Cotter Pin 1/8 x 1 1/2	36	1102	Nut - 5/16 - 18	60	5013	Spring
12	1841	Pipe Plug 1/4 NPT	37	1022	Bolt - 5/16 - 18 x 1 1/4	61	1201	Lockwasher - 5/16
13	6019	Vent	38	1803	Bolt - 5/16 - 18 x 1 1/4	62	1220	Flatwasher - 1/4
14	1112	Locknut - 3/8 - 16	39	1891	Bolt - 5/16 - 24 x 1 1/4 SHCS	63	1020	Bolt - 5/16 - 18 x 3/4
15	1222	Flatwasher - 3/8	40	05-133	Trans. Coupling Adaptor	64	1609	Cotter Pin 1/8 x 1 1/4
16	03-695	Fitting 45°	41	6802	Trans. Coupling Key	65	05-301	Transmission Lever
17	1112	Locknut - 3/8 - 16	42	03-663	Woodruff Key	66	1131	Roll Pin 1/4 x 1
18	1222	Flatwasher - 3/8	43	03-692A	Fitting - 90°	67	05-226	Transmission Linkage Rod
19	1611	Bolt - 3/8 - 16 x 3	44	03-708	Fitting	68	04-247	Damper Bushing
20	03-668	Suction Tube	45	5018	"O" Ring	69	1223	Flatwasher - 1/2
21	6033	Filter Cartridge	46	1805	Safety Switch - Neutral	70	04-142	Lug Nut
22	05-021	Spacer			Nut - 5/8 Special	71	1237	3/8 Shimwasher



Item	Part #	No. Req'd.	Description
1	04-119A	1	Drive Shaft - Female
2	4146	-	U-Joint Repair Kit
3	2000	1	Set Screw - 3/8 - 16 x 3/8 Knurl Point
4	05-230	1	PTO Shaft
5	1983	1	Key - 1/4 x 7/8 Woodruff
6	1402	1	Roll Pin - 5/16 x 1 3/8
7	1845	6	Safety Wire
8	1980	1	Snap Ring - 1 1/2 External
9	1311	1	Key - 1/4 x 2
10	1888	1	Nut - 1 1/8 - 12 Slotted Half Nut
11	1608	1	Cotter Pin 1/8 x 2
12	04-277	2	Shaft Seal
13	05-234	2	Spacer
14	04-275	2	Bearing Cone
15	04-276	2	Bearing Cup
16	05-242	1	PTO Tube Assy.
17	1500	1	Grease Fitting
18	1112	2	Locknut - 3/8 - 16
19	1769	1	Flatwasher - 3/8 SAE
20	05-251	1	Upper Belt Guide
21	1803	1	Bolt - 5/16 - 18 x 1 3/4
22	1102	1	Nut - 5/16 - 18
23	2044	2	Flatwasher - 5/16 SAE
24	1111	3	Locknut 5/16 - 18
25	05-250	1	PTO Brake Assy.
26	05-306	-	PTO Brake Pad Kit (Include Rivets)
27	1957	2	Bolt - 3/8 - 16 x 1
28	1222	6	Flatwasher - 3/8
29	1202	4	Lockwasher - 3/8
30	1103	5	Nut - 3/8 - 16
31	05-346	1	Pto Brake Spring Bracket

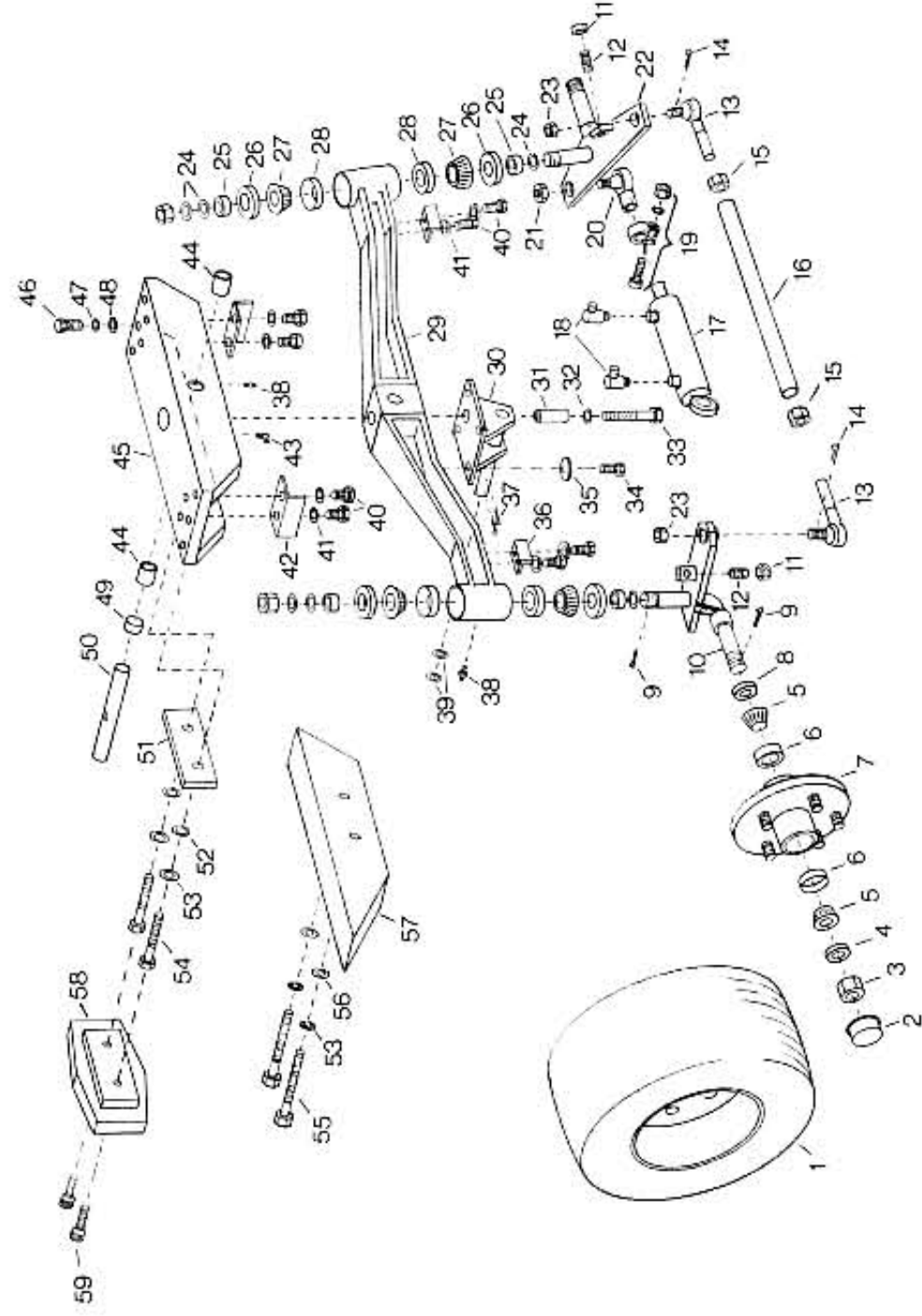
Item	Part #	No. Req'd.	Description
32	4114	1	Spring
33	1824	1	Bolt - 3/8 - 16 x 1 1/4
34	1957	1	Bolt - 3/8 - 16 x 1
35	05-347	1	Lower Belt Guide
36	1747	2	Locknut - 1/2 - 13
37	04-252	2	Bushing
38	1231	1-4	Flatwasher - 1/2 SAE
39	1889	2	Bolt 1/2 - 13 x 2 3/4
40	1147	1	Roll Pin - 3/16 x 1
41	05-345	1	PTO Linkage Rod
42	1222	2	Flatwasher - 3/8
43	05-249	1	PTO Belcrank Assy
44	1605	1	Cotter Pin 1/8 x 1
45	05-264	1/1987	PTO Belcrank Spacer
46	1231	1/1987	Flatwasher 1/2 SAE
47	05-121	1	PTO Handle Grip
48	05-036	1	PTO Lever
49	05-227	1	PTO Linkage Rod
50	1600	1	Cotter Pin 3/32 x 1
51	1737	2	Shoulder Bolt 3/8 x 3/8
52	1221	2	Flatwasher - 5/16
53	05-077	1	PTO Rod Retainer
54	04-134	1	Bushing
55	05-019	1	Roller
56	05-037	1	PTO Lock Lever
57	1615	2	Set Screw 5/16 - 18 x 1 Sq. Hd.
58	04-117	1	PTO Pulley
59	3464	1	PTO Belt
60	1791	1	Clevis Pin 3/8 x 1
61	5164	1	Clevis
62	1237	2	Shimwasher 3/8



BRAKE ASSEMBLY

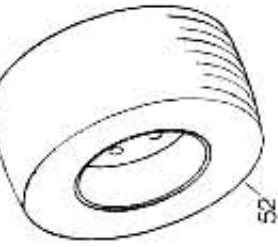
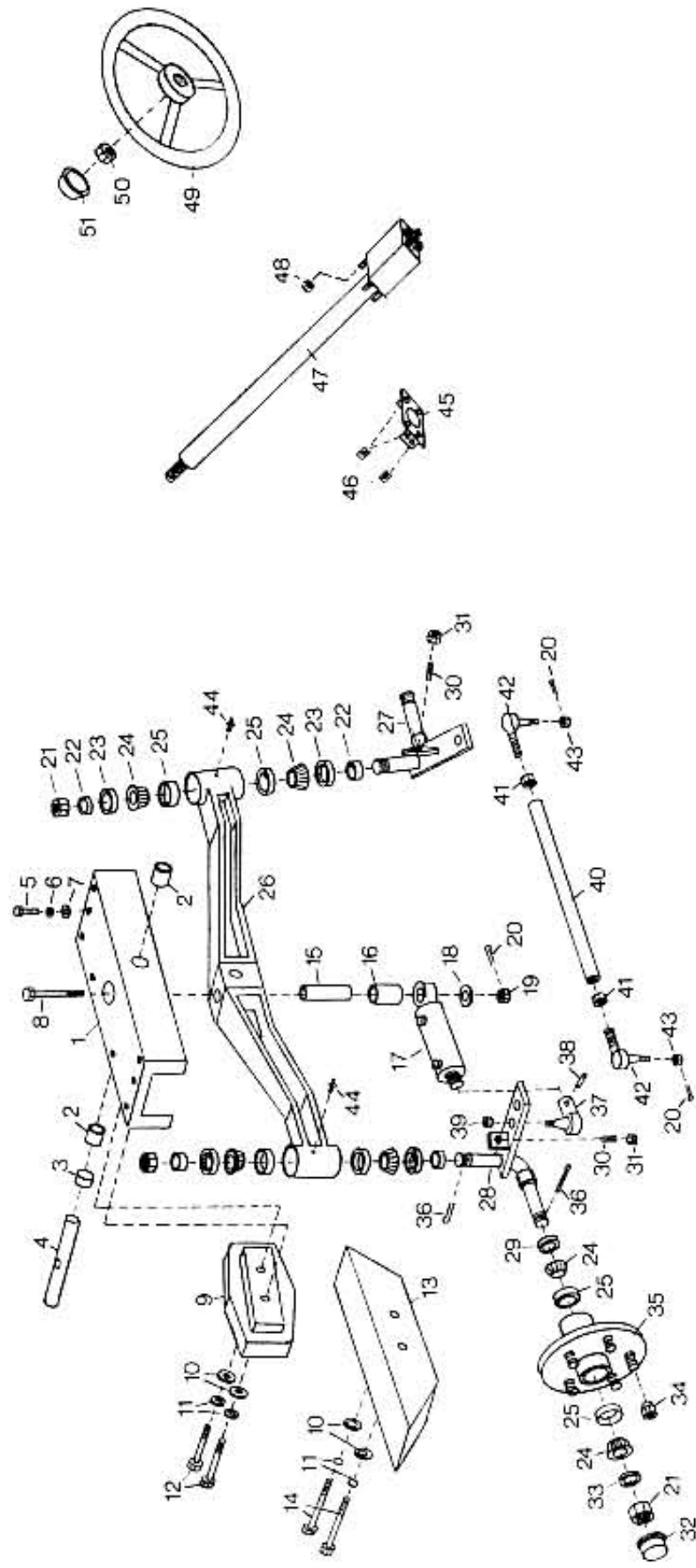
Item	Part #	No. Req'd	Description
1	05-058A	1/727	Lift Bar Assy.
2	07-805	1/3G, 5G	Lift Bar Assy.
3	05-057	2	Lift Bar Mt. Bracket
4	04-123	2	Bearing
5	1500	2	Grease Fitting
6	1036	4/727	Bolt - 3/8 - 16 x 2 1/4 Gr. 5
7	1873	4/3G, 5G	Bolt - 3/8 - 16 x 2 1/2 Gr. 5
8	1222	4	Flatwasher - 3/8
9	1112	5	Locknut - 3/8 - 16
10	05-022	1	Lift Cylinder Pin
11	1235	2	Flatwasher - 3/4 SAE
12	1608	2	Cotter Pin 1/8 x 2
13	05-142A	2/727	Lift Chain - 5 Link
14	1222	2	Flatwasher - 3/8
15	1030	2	Bolt - 3/8 - 16 x 3/4
16	07-691	2/3G, 5G	Lift Chain - 8 Link
17	05-204	1	Brake Shaft Brkt. - Left
18	05-205	1	Brake Shaft Brkt. - Right
19	4122	6	Bushing
20	1213	4	Bolt 5/16 - 18 x 1
21	1201	4	Lockwasher - 5/16
	1102	4	Hex Nut - 5/16 - 18

Item	Part #	No. Req'd	Description
22	05-056	1	Brake Shaft
23	05-053	2	Single Brake Lever
24	5276	3	Brake Pedal Pad
25	1740	3	ESNA Locknut - 3/8 - 24
26	05-152	1	Dual Brake Lever
27	5039	2	Clevis
28	5160	2	Clevis Pin - 5/16
29	1600	4	Cotter Pin - 3/32 x 1
30	4114	3	Spring
31	1222	4	Flatwasher - 3/8
32	05-113	1	Brake Cable Assy. - Short
33	05-112	1	Brake Cable Assy. - Long
34	1791	2	Clevis Pin - 3/8
35	1132	2	Roll Pin - 1/4 x 1 1/2
36	05-055	1	Dual Tie Bar
37	05-078	1	Brake Shaft Spacer
38	05-153	1	Brake Latch Bar
39	05-060	1	Brake Latch Linkage Rod
40	05-127	1	Knob
41	1110	2	Locknut - 1/4 - 20
42	1003	1	Bolt - 1/4 - 20 x 1
43	1220	1	Flatwasher 1/4



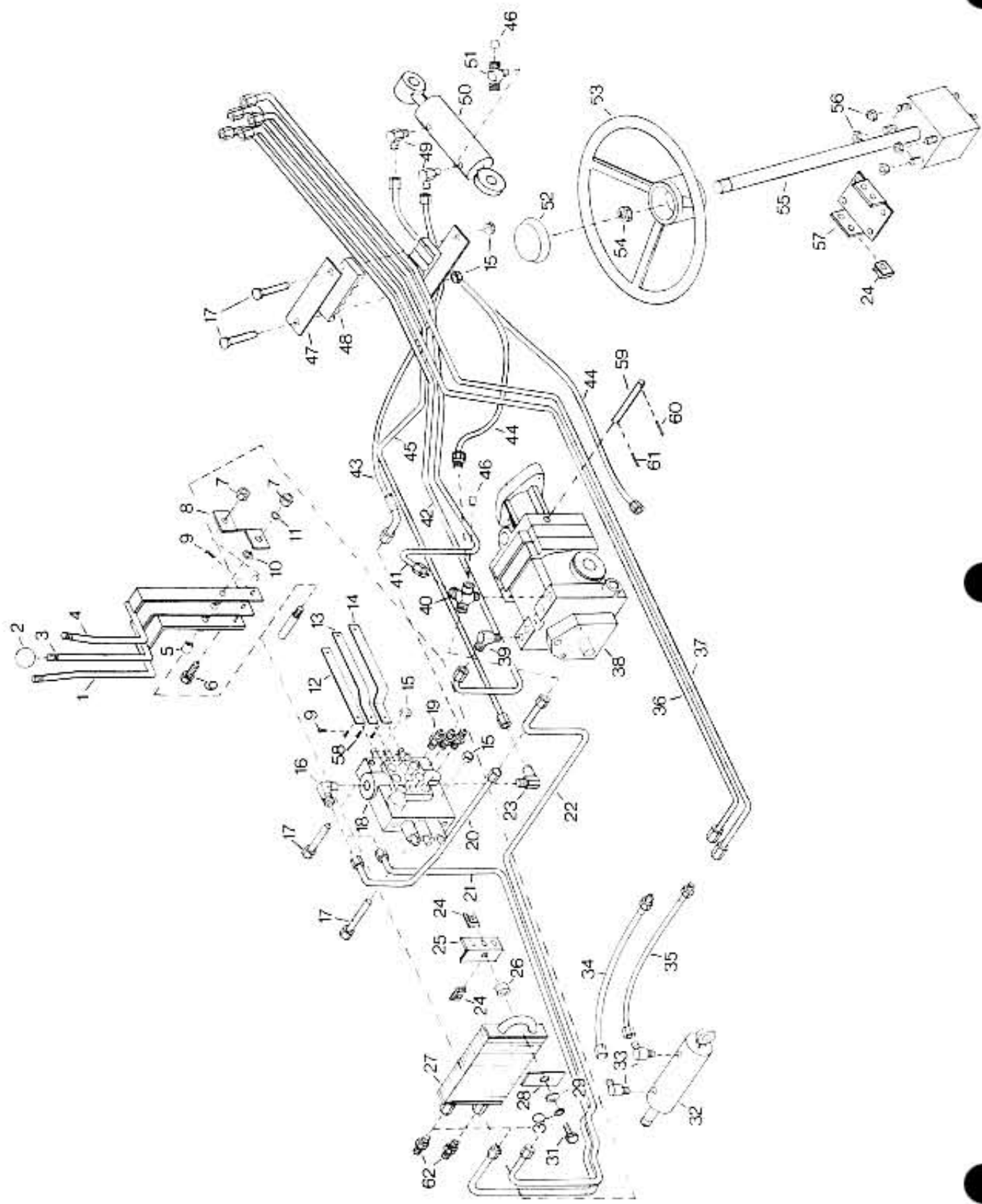
Item	Part #	No. Req'd	Description
1	05-160	2	Rear Wheel/Tire Assy.
-	05-161	-	Rear Wheel Only
-	05-166	-	Rear Tire Only
-	05-171	-	Repair Tube
2	04-107	2	Hub Cap
3	1701	4	Slotted Nut 1 - 14
4	1408	2	Flatwasher - 1 SAE
5	04-165	8	Bearing Cone
6	04-007	8	Bearing Cup
7	04-008	2	Hub
8	04-179	2	Seal
9	1608	4	Cotter Pin 1/8 x 2
10	05-269	1	Spindle Assy. - Right
11	1607	2	Half Nut - 1/2 - 13
12	1606	2	Set Screw 1/2 - 13 x 1 1/4
13	04-120	2	Ball Joint
14	1600	2	Cotter Pin 3/32 x 1
15	1919	2	Jam Nut - 5/8 - 18
16	05-198	1	Tie Rod
17	13-354	1	Steering Cylinder
-	13-029	-	Cylinder Seal Kit
18	03-663	2	Fitting - 90°
19	04-012	1	Clamp Assy.
20	04-109	1	Ball Joint
21	1729	1	Nylon Halfnut 5/8 - 18
22	05-270	1	Spindle Assy. - Left
23	1773	2	Slotted Nut - 7/16 - 20
24	07-011	6	Shimwasher
25	05-154	4	Spacer
26	04-006	4	Seal
27	04-165	8	Bearing Cone
28	04-007	8	Bearing Cup

Item	Part #	No. Req'd	Description
29	05-348	1	Rear Axle
30	05-290	1	Steering Cylinder Support
31	05-317	1	Axle Spacer
32	1203	1	Lockwasher 1/2
33	1815	1	Bolt - 1/2 - 13 x 3 1/4
34	1030	8	Bolt - 3/8 - 16 x 3/4
35	1202	8	Lockwasher - 3/8
36	05-315	2	Steering Stop
37	1863	2	Cotter Pin - 1/6 x 1 1/2
38	1500	3	Grease Fitting
39	07-011	2	Shimwasher
40	1213	4	Bolt - 5/16 - 18 x 1
41	1201	4	Lockwasher - 5/16
42	05-316	2	Rear Axle Stop
43	1502	1	Grease Fitting - 90°
44	4121	2	Bushing
45	05-349	1	Rear Yoke
46	1824	8	Bolt - 3/8 - 16 x 1 1/4
47	1202	8	Lockwasher - 3/8
48	1222	8	Flatwasher - 3/8
49	05-174	1	Shim
50	05-318	1	Axle Pivot Pin
51	05-255	1	Bushing Retainer Plate
52	1231	2	Flatwasher - 1/2 SAE
53	1203	2	Lockwasher - 1/2
54	1050	2	Bolt - 1/2 - 13 x 1
55	1086	2	Bolt - 1/2 - 13 x 4
-	1875	2/3G	Bolt - 1/2 - 13 x 7
56	1223	2	Flatwasher - 1/2
57	05-107	1/5G	Rear Weight
58	05-130	1	727 Rear Weight
59	1860	2	Bolt - 1/2 - 13 x 2 SHCS



★ 1987 40 H.P. 727 Only
 Serial Nos. D75-0034, D74-0059,
 4D75-0001 to 4D75-0010,
 4D74-0001 to 4D74-0035

Item	Part #	No. Req'd.	Description	Item	Part #	No. Req'd.	Description
1	05-128A	1	Rear Yoke	29	04-006	4	Seal
2	4121	2	Bushing	30	1606	2	Set Screw
3	05-174	1	Shim	31	1607	2	Jam Nut
4	05-040	1	Pivot Pin	32	04-107	2	Hub Cap
5	1824	8	Bolt - 3/8 - 16 x 1 1/4 Gr. 5	33	1408	2	Flatwasher - 1 - SAE
6	1202	8	Lockwasher - 3/8	34	05-148	10	Lug Nut
7	1222	8	Flatwasher - 3/8	35	04-008	2	Wheel Hub
8	1762	1	Bolt - 1/2 - 13 x 6 1/2	36	1608	4	Cotter Pin - 1/8 x 2
9	05-130	1	Rear Weight - Logo	37	04-238	1	Ball Joint
10	1231	2	Flatwasher - 1/2 SAE	38	1147	1	Roll Pin 3/16 x 1
11	1203	2	Lockwasher - 1/2	39	1729	1	Locknut 5/8 - 18
12	1860	2	Bolt - 1/2 - 13 x 2 SHCS	40	05-198	1	Tie Rod
13	05-107	1	Rear Weight	41	1919	2	Jam Nut 5/8 - 18
14	1874	2/3G	Bolt - 1/2 - 13 x 4 1/2 Gr. 5	42	04-120	2	Ball Joint
15	1875	2/3G	Bolt 1/2 - 13 x 7 Gr. 5	43	1773	2	Slotted Nut 7/16 - 20
16	05-196	1	Steering Cyl. Pivot	44	1500	2	Grease Fitting
17	05-197	1	Spacer	45	05-193	1	Steering Valve Mt. Plate
18	03-377	1	Steering Cylinder	46	1732	4	"U" Nut 1/4 - 20
19	1231	1	Flatwasher - 1/2 SAE	47	03-376	1	Steering Valve/Column
20	1770	1	Slotted Nut - 1/2 - 13	48	13-045	4	Seal Kit for 03-376
21	1600	3	Cotter Pin - 3/32 x 1	49	1115	4	Locknut 5/16 - 24
22	1701	4	Slotted Nut	50	05-125	1	Steering Wheel
23	05-154	4	Spacer	51	1123	1	Hex Nut 5/8 - 18
24	04-179	2	Seal	52	05-144	1	Wheel Cover
25	04-165	8	Bearing Cone		05-160	2	Rear Wheel/Tire Assy.
26	04-007	8	Bearing Cup		05-161	-	Rear Wheel Only
27	05-151	1	Rear Axle		05-166	-	Rear Tire Only
28	05-187	1	Steering Spindle - Left		05-171	-	Repair Tube
	05-224	1	Steering Spindle - Right				



Item	Part#	No. Req'd	Description
1	05-285	1	Valve Lever Assy. (Left Wing)
2	04-290	1	Knob (Lever Assy.)
3	05-284	1	Valve Lever Assy. (Front)
4	05-283	1	Valve Lever Assy. (Right Wing)
5	05-370	2/72	Valve Handle Spacer
6	1030	1	Bolt $\frac{3}{8}$ - 16 x $\frac{3}{4}$
7	1112	2	Locknut - $\frac{3}{8}$ - 16
8	05-338	1	Bracket
9	1601	6	Cotter Pin $1\frac{1}{16}$ x $\frac{1}{2}$
10	1231	1	Flatwasher - $\frac{1}{2}$ SAE
11	1769	1	Flatwasher - $\frac{3}{8}$ SAE
12	05-341	1	Link - L.H. Control
13	05-340	1	Link - Front Control
14	05-339	1	Link - R.H. Control
15	1110	4	Locknut - $\frac{1}{4}$ - 20
16	03-692	1	Fitting
17	1007	4	Bolt - $\frac{1}{4}$ - 20 x 2
18	13-279	1/104, 1/5G	3-Spool Valve
-	13-447	1/72	1-Spool Valve
-	13-211	-	Seal Kit (1 Per Spool)
-	13-212	-	Detent Kit (1 Per Spool)
19	13-323	3/5G, 3/104, 1/72	Fitting
20	03-418	1	Tube - Valve to Transmission
21	13-343	1/72	Tube - Valve to Oil Cooler
22	13-344	1/72	Tube - Oil Cooler to Transmission
23	03-663	1	Fitting
24	1732	6	U-Nut - $\frac{1}{4}$ - 20
25	05-342	1	Oil Cooler Mt. Bracket
26	05-013	1	Rubber Grommet
27	03-810	1	Oil Cooler
28	05-087	1	Oil Cooler Clamp Plate
29	1220	1	Flatwasher - $\frac{1}{4}$
30	1200	1	Lockwasher - $\frac{1}{4}$
31	1003	1	Bolt - $\frac{1}{4}$ - 20 x 1
32	13-354	1	Steering Cylinder
-	03-377	1/1987*	Steering Cylinder
-	13-029	-	Seal Repair Kit (For Cyl. 03-377)
33	03-663	2	Fitting

Item	Part #	No. Req'd	Description
34	13-338	1	Power Steering Hose
35	13-339	1	Power Steering Hose
36	13-390	1	Tube - Steering Cylinder Left
37	13-391	1	Tube - Steering Cylinder Right
38	03-659	1	Transmission Assy.
39	03-663	1	Fitting
40	03-692A	1	Fitting
41	13-388	1	Tube - Steering Return
42	13-387	1	Tube - Steering Pressure
43	13-292	1	Hose - Valve to Cylinder - Press
44	13-293	1/5G, 1/104	Hose - Front Cylinder to Case Drain
-	13-345	1/72	Hose - Front Cylinder to Case Drain
-	03-410	1/1987*	Hose - Front Cylinder to Case Drain
45	13-389	1	Tube - Steering Bypass
46	1841	1	Pipe Plug - $\frac{1}{4}$ Socket Hd.
47	06-244	2	Clamp - Steel
48	06-191	2	Clamp - Plastic
49	03-780	2	Fitting
50	03-667	1/72, 1/104	Lift Cylinder
-	03-405	-	Seal Repair Kit (For Cyl. 03-667)
-	03-962	1/3G, 1/5G	Lift Cylinder
-	03-963	-	Seal Repair (for Cyl. 03-962)
51	03-775	1	Fitting
52	05-144	1	Steering Wheel Cover
53	05-125	1	Steering Wheel
54	1123	1	Hex Nut - $\frac{5}{8}$ - 18
55	03-376	1	Steering Valve/Column
-	13-412	-	Top Seal
-	13-045	-	Seal Kit
56	1115	4	Locknut - $\frac{5}{16}$ - 24
57	05-193	1	Steering Valve Mt. Plate
58	2017	3	Yoke Pin
59	05-149	1	Bypass Valve Extension
60	1966	1	Roll Pin $\frac{3}{16}$ x 2
61	1147	1	Roll Pin $\frac{3}{16}$ x 1
62	03-246	2	Fitting

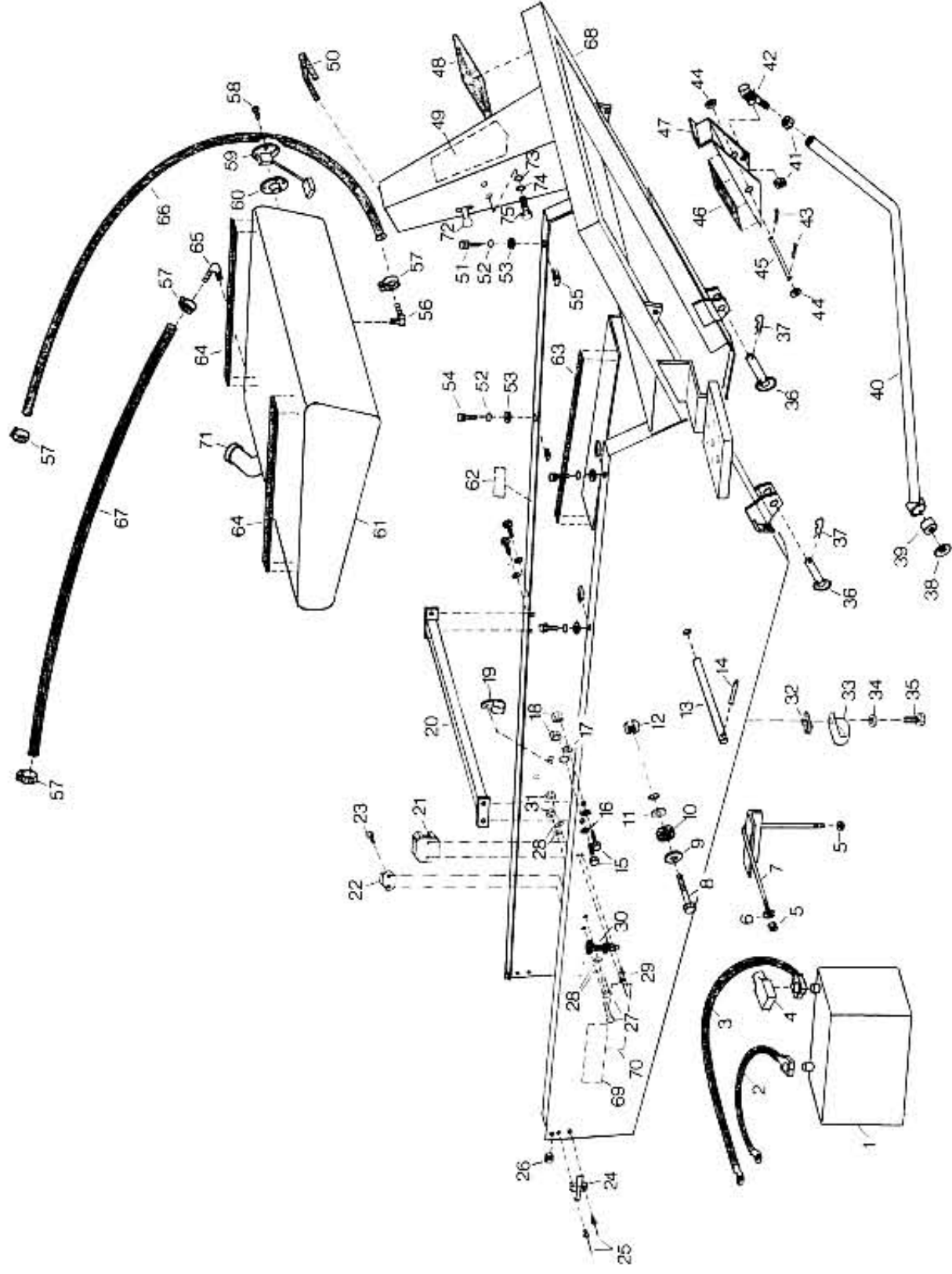
* 1987 40 H.P. 727

Serial No. D75-0034

Serial No. AD75-0001 to AD7-0010

Serial No. D74-0059

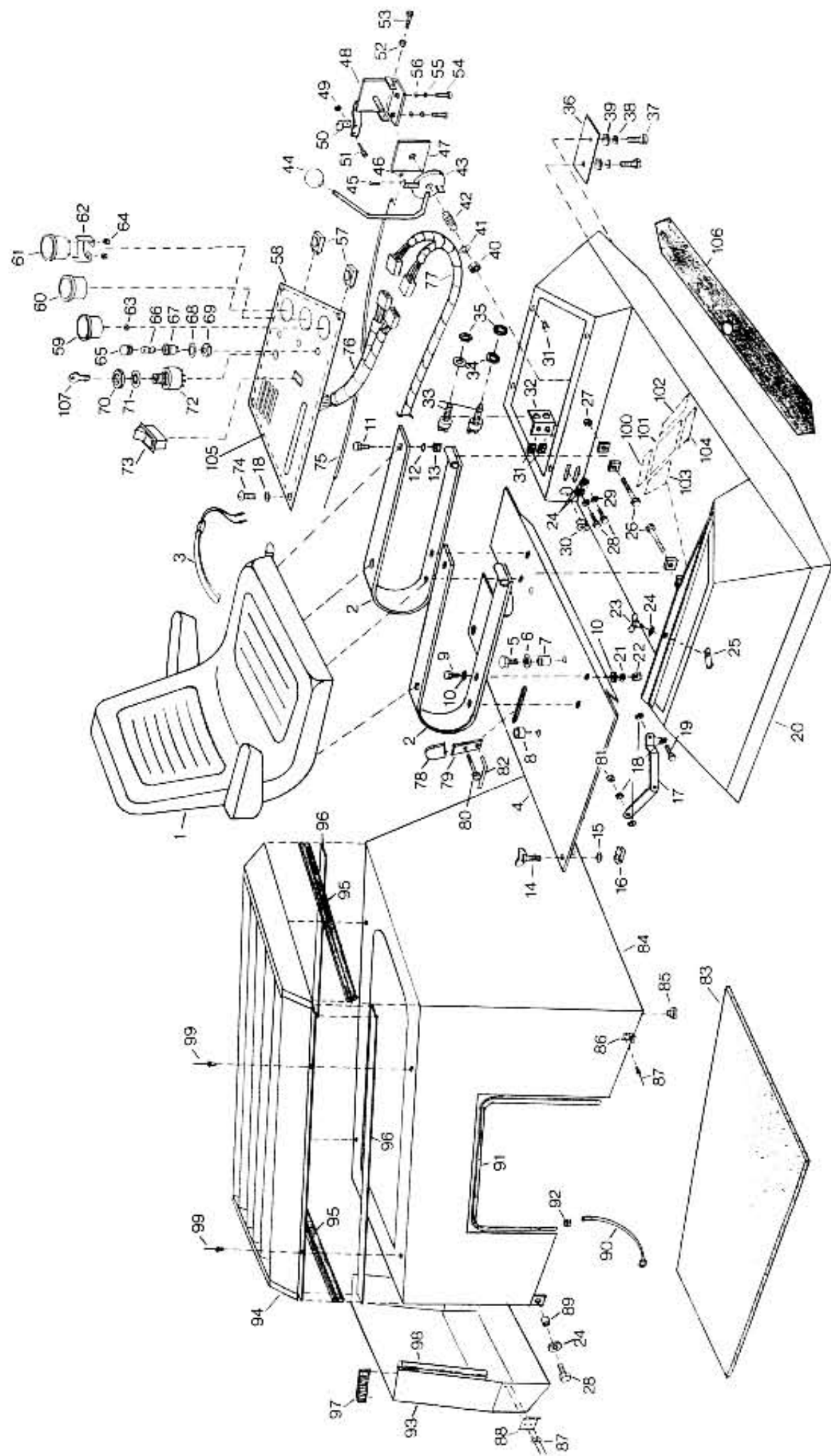
Serial No. AD74-0001 to AD74-0035



Item Part#	No. Req'd	Description
1	5037	Battery
2	02-071	Battery Cable - Negative
3	02-070	Battery Cable - Positive
4	02-204(BR)	Battery Terminal Cover (Bk/RD)
5	1110	Locknut - 1/4 - 20
6	1220	Flatwasher - 1/4
7	05-070	Battery Clamp
8	2027	Bolt - 1/2 - 13 x 5 3/4
9	1225	Washer - 3/8 Cupped
10	05-162	Rubber Bushing
11	1223	Flatwasher - 1/2
12	1747	Locknut - 1/2
13	05-149	Bypass Valve Extension
14	1966	Roll Pin - 3/16 x 2
15	1213	Bolt - 5/16 - 18 x 1
16	1221	Flatwasher - 5/16
17	1201	Lockwasher - 5/16
18	1102	Nut - 5/16 - 18
19	05-097	Wire Harness
20	05-062	Frame Brace
21	119660-	
	-77710	Regulator
22	02-212	Time Delay Module
23	2042	Phillips Hd. Cap Screw 10-32 x 1/4
24	05-136	Toggle Latch W/Striker
25	1893	Pop Rivet - 3/16 x 1/4

Item Part#	No. Req'd	Description
26	1732	"U" Nut - 1/4 - 20
27	1003	Bolt - 1/4 - 20 x 1
28	1220	Flatwasher - 1/4
29	1779	Pop Rivet - 1/8 x 1/4
30	05-084	Rubber Latch W/Keeper
31	1110	Locknut - 1/4 - 20
32	1732	"U" Nut - 1/4 - 20
33	05-135	Clamp
34	1220	Flatwasher - 1/4
35	1003	Bolt - 1/4 - 20 x 1
36	1236	Push Arm Pin
37	1793	Hair Pin Clip
38	1223	Flatwasher - 1/2
39	04-247	Damper Bushing
40	05-226	Linkage Rod
41	1108	Jam Nut - 9/16 - 18
42	04-146	Ball Joint
43	1600	Cotter Pin - 3/32 x 1
44	1222	Flatwasher - 3/8
45	05-050	Pedal Pivot Pin
46	00-052	Anti-Skip Pedal
47	05-049	Traction Pedal
48	00-047	Anti-Skid Floor
49	00-033	Decal "H.P. Logo"
	00-133	"1040" Decal
50	04-059	Trim Molding

Item Part#	No. Req'd	Description
51	1004	Bolt - 1/4 - 20 x 1 1/4
52	1200	Lockwasher - 1/4
53	1819	Fenderwasher - 1/4
54	1003	Bolt - 1/4 - 20 x 1
55	1732	"U" Nut 1/4 - 20
56	13-274	Fitting 90° 5/16 Hose - 1/4 NPT
57	04-082	Hose Clamp
58	1777	Screw - 8 - 32 x 3/4
59	05-067	Fuel Level Sender
60	05-068	Gasket
61	05-124	Fuel Tank
62	00-044	Decal "Diesel Fuel"
63	00-083	Weather Strip 1/2 x 1
64	00-116	Weather Strip 1/2 x 3/4
65	03-247	Fitting - 1/4 Hose - 1/8 NPT
66	13-090	Fuel Line - 5/16 I.D.
67	03-705	Fuel Line - 1/4 I.D.
68	05-373	Frame Assy.
	05-243	Frame Assy.
69	00-035	Decal "Turblazer"
70	00-034	Decal "727 Diesel"
	00-134	Decal "1040 Diesel"
71	05-066	Fuel Tank Cap
72	05-127	Knob-Brake Linkage
73	1220	Flatwasher 1/4
74	1200	Lockwasher 1/4
75	1788	Bolt 1/4 - 20 x 1

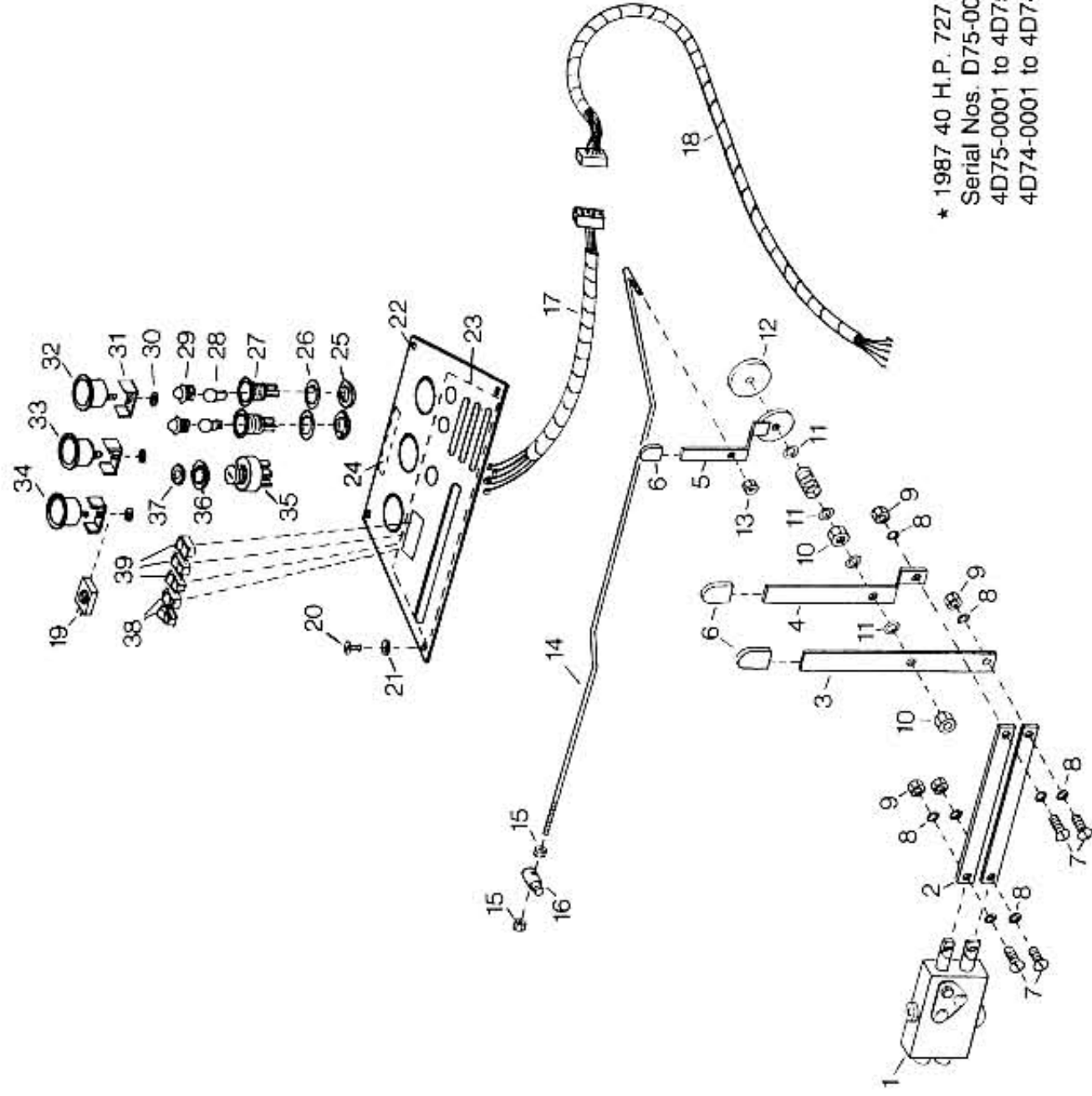


Item Part#	Req'd	Description
1	05-122A	1 Seat
-	05-122B	1 Seat Slide Assy.
-	04-047	Option Deluxe Seat
-	04-046	Option Deluxe Seat Mt. Brkt.
2	05-082	2 Seat Spring/Hinge Strap
-	05-258	2/Option Hinge Strap w/Deluxe Seat
3	5219	1 Seat Safety Switch
-	5221	1/Option Seat Safety Switch
4	05-072A	1 Trans. Access Cover
5	1023	4 Bolt - 5/16 - 18 x 1 1/2
6	1221	4 Flatwasher - 5/16
7	05-374	2/Option Spacer-Front
8	05-375	2/Option Spacer-Rear
9	1213	4 Bolt 5/16 - 18 x 1
10	1221	8 Flatwasher - 5/16
11	1776	4 Carriage Bolt - 5/16 - 18 x 1
12	1201	8 Lockwasher - 5/16
13	1102	8 Hexnut - 5/16 - 18
14	1722	2/Option Wing Head Fastener
15	1723	2/Option Retainer
16	1721	2/Option Receptacle
17	05-094	1 Access Cover Base
18	1220	8 Flatwasher - 1/4 SAE
19	1000	1 Bolt - 1/4 - 20 x 3/4
20	05-287	1 Fender Cowling
-	05-071	1/1987* Fender Cowling
21	1201	4 Lockwasher - 5/16
22	1102	4 Nut - 5/16 - 18
23	04-050A	1 Knob
24	1056	1 Flatwasher - 1/4 SAE
25	04-050B	1 Latch
26	1029	2 Bolt - 5/16 - 18 x 3 1/2
27	1111	2 Locknut - 5/16 - 18
28	1000	2 Bolt - 1/4 - 20 x 3/4
29	1200	2 Lockwasher - 1/4
30	04-126	1 Bushing
31	1732	8 "U" Nut - 1/4 - 20
32	05-155	1 Safety Switch Bracket
33	5018	2 Safety Switch
34	1798	2 Internal Starwasher - 5/8
35	1805	2 Hexnut - 5/8 - 32 Special

Item Part#	Req'd	Description
36	05-335	1 Cover Plate
37	1000	2 Bolt - 1/4 - 20 x 3/4
38	1200	2 Lockwasher - 1/4
39	1220	2 Flatwasher - 1/4
40	1112	1 Locknut 3/8 - 16
41	1769	1 Flatwasher - 3/8 SAE
42	5034	1 Speed Control Spring
43	05-280	1 Speed Control Lever Assy.
44	04-290	1 Knob
45	1601	1 Cotter Pin - 1/16 x 1/2
46	1409	1 Flatwasher - 5/16
47	05-377	1 Speed Control Friction Pad
48	05-282	1 Speed Control Brkt. Assy.
49	1110	2 Locknut 1/4 - 20
50	05-279	2 Conduit Clip
51	1016	2 Bolt - 1/4 - 20 x 1/2
52	1101	2 Nut - 1/4 - 20
53	1004	2 Bolt - 1/4 - 20 x 1 1/4
54	1020	2 Bolt - 5/16 - 18 x 3/4
55	1201	2 Lockwasher - 5/16
56	1221	2 Flatwasher - 5/16
57	02-117	2 Buzzer
58	05-336	1/5G, 1/104 Instrument Panel
-	05-389	Complete Instrument Panel
-	05-337	1/72 Instrument Panel
-	05-399	Complete Instrument Panel
59	5122	1 Hour Meter
60	02-054	1 Fuel Level Gauge
61	02-052	1 Water Temp Gauge
62	02-055	2 Gauge Mt. Brkt.
63	2045	1 Nut - 10 - 24
64	1762	4 Nut 8 - 32
65	02-026	3 Red Lens
66	02-025	3 Bulb
67	02-024	3 Socket
68	1877	3 Starwasher - 1/16
69	1878	3 Hexnut - 1/16 - 16
70	1765	1 Hexnut - 9/16 Special
71	1764	1 Starwasher - 9/16
72	02-074A	1 Ignition Switch
73	02-134	1 Switch - Momentary

Item Part#	Req'd	Description
74	1951	4 PHPS. H.D. Mach. Screw - 1/4 - 20 x 3/4
75	05-278	1 Throttle Cable
76	02-247	1 Instrument Panel Wire Harness
-	02-104	1/1987* Instrument Panel Wire Harness
-	02-241	1/1987* Complete Instrument Panel
77	02-248	1 Chassis Wire Harness
-	02-235	1/1987* Chassis Wire Harness
78	05-143	1 Handle Grip
79	05-202	1 Cover Latch Lever
80	1879	1 Bolt - 1/4 - 20 x 3 1/2
81	1110	1 Locknut - 1/4 - 20
82	05-201	1 Cover Latch Link
83	05-354	1 Sound Absorption Mat
84	05-247	1 Hood Assy.
85	05-138	2 Rubber Pad
86	05-084	2 Rubber Latch W/Striker
87	1779	8 Pop Rivet 1/8 x 1/4
88	05-137	2 Latch Striker Plate
89	08-227	2 Hood Pivot Bushing
90	05-256	2 Hood Restraint
91	04-059	8 ft. Edge Trim
92	1801	2 Locknut - 1/4 - 20 ESNA
93	05-246	1 Rear Cover
94	05-199	1 Top Screen Assy.
95	05-179	3 ft. Trim Seal - Edge
96	00-083	12 ft. Weatherstrip - 1/8 x 1
97	05-104	1 ft. Trim Seal - Side
98	05-179	6 ft. Trim Seal - Edge
99	1814	4 Pop Rivet 3/16 x 1/2
100	00-045	1 Decal - "Parking Brake"
101	7005-A	1 Decal "Operating Instructions"
102	00-074	1/104, 1/5G Decal "Side Attach Lift"
-	00-056	1 Decal - "Address"
103	00-058	1 Decal "Interlock Switch"
104	00-046	1 Decal "Traction Pedal"
105	00-120	1/104, 1/5G Dashboard Decal W/3 Spool Valve
-	00-119	1/72 Dashboard Decal W/1 Spool Valve
106	00-051	1 Anti-Skid Floor
107	5146	1 Key

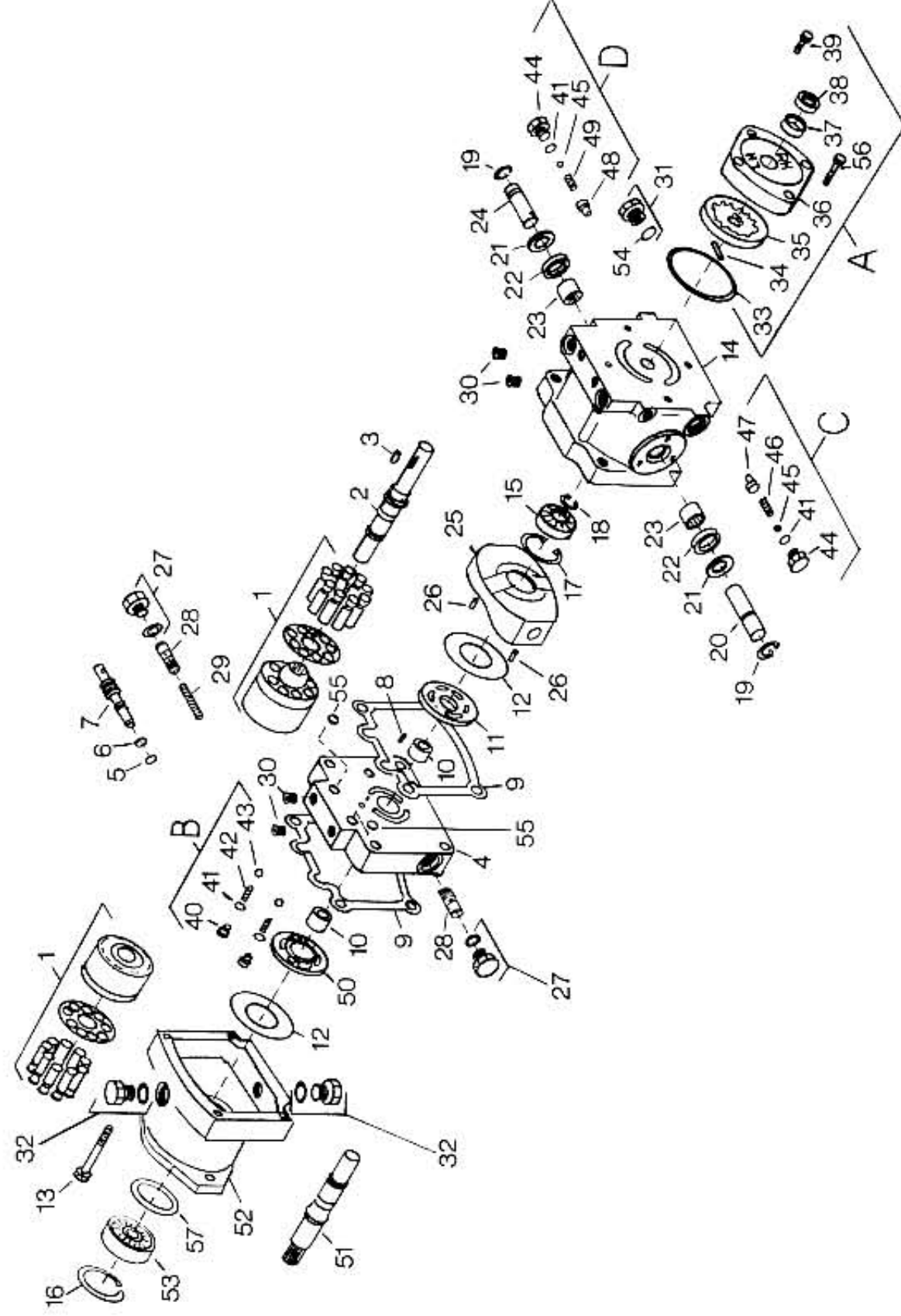
* 1987 40 H.P. 727 Only
 Serial No. D75-0034
 Serial No. AD75-0001 to AD7-0010
 Serial No. D74-0059
 Serial No. AD74-0001 to AD74-0035



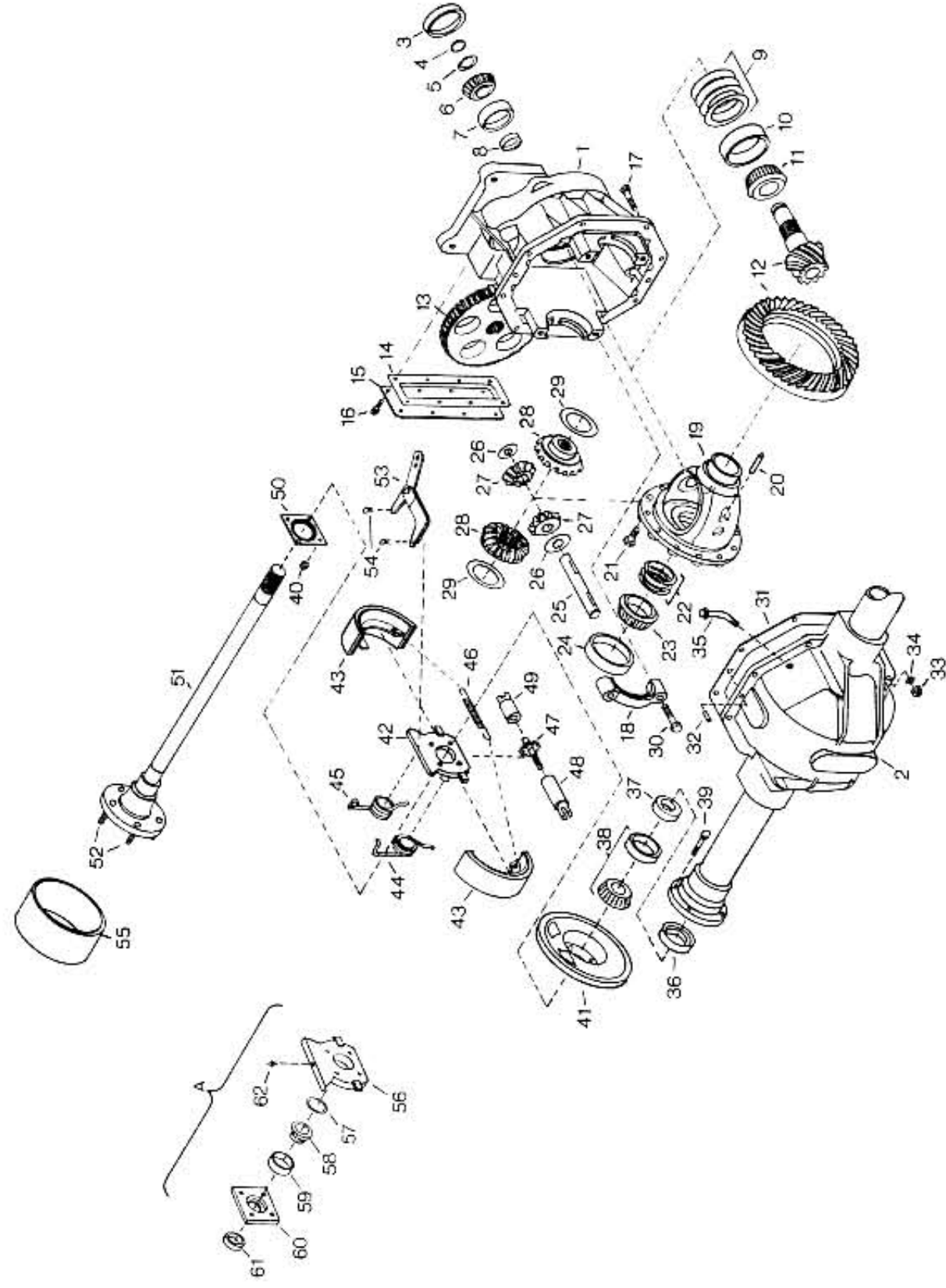
★ 1987 40 H.P. 727 Only
 Serial Nos. D75-0034, D74-0059,
 4D75-0001 to 4D75-0010,
 4D74-0001 to 4D74-0035

Item	Part #	No. Req'd.	Description
1	03-768	1	Lift Valve - 2 Spool
2	03-599	2	Valve Detent/Seal Kit
3	05-025A	2	Lift Valve Linkage
4	05-110	1	Lift Valve Lever - Wing
5	05-024	1	Lift Valve Lever - Front
6	05-026	1	Throttle Lever
7	05-143	3	Handle Grip
8	1703	4	Bolt - 10 - 32 x 3/4 SHCS
9	1409	8	Washer - 3/16
10	1775	4	ESNA Locknut 10-32
11	1112	2	Locknut - 3/8 - 16
12	1222	4	Flatwasher - 3/8
13	5033	1	Friction Pad
14	1801	1	ESNA Locknut 1/4 - 20
15	05-027	1	Throttle Linkage Rod
16	1801	2	ESNA Locknut 1/4 - 20
17	05-344	1	Throttle Rod Swivel
18	02-104	1	Wiring Harness - Instr. Panel
19	02-235	1	Wiring Harness - Chassis
20	02-117	1	Buzzer
	1951	4	Mach. Screw 1/4 - 20 x 3/4

Item	Part #	No. Req'd.	Description
21	1220	4	Flatwasher - 1/4
22	05-073	1	Instrument Panel
23	02-241	1	Complete Instrument Panel
24	00-071	1	Complete Instrument Panel Decal
25	7029-A	1	Decal - "Trans. Damage"
26	1878	4	Hex Nut - 11/16 Special
27	1877	4	Starwasher - 11/16
28	02-024	2	Socket
29	02-025	2	Bulb
30	02-026	2	Red Lens
31	1775	3	ESNA Locknut - 10 - 32
32	02-055	3	Gauge Mount Bracket
33	02-054	1	Fuel Level Gauge
34	02-052	1	Water Temp Gauge
35	5122	1	Hour Meter
36	02-074A	1	Ignition Switch
37	1764	1	Starwasher 9/16
38	1765	1	Hex - 9/16 Special
39	02-134	2	Switch - Momentary
	02-133	3	Switch - Maintained



Item	Part #	No. Req'd.	Description	Item	Part #	No. Req'd.	Description
1	6518	2	Cyl. Block Kit	32	03-790	2	Fitting
2	6601	1	Pump Shaft	33	6632	1	"O" Ring
3	6602	1	Woodruff Key	34	6633	1	Straight Pin
4	6603	1	Center Section	35	6634	1	Gerotor Assy.
5	6604	1	"O" Ring	36	6635	1	Chrg. Pump Housing
6	6605	1	Ring	37	6636	1	Needle Bearing
7	6606	1	Bypass Valve	38	6637	1	Lip Seal
8	6521	2	Straight Pin	39	6638	2	Bolt
9	6608	2	Gasket	40	6639	2	Chk. Valve Plug
10	6520	2	Roller Bearing	41	6524	4	"O" Ring
11	6610	1	Pump Valve Plate	42	6641	2	Ck. Valve Spring
12	6611	2	Thrust Plate	43	6642	2	Ball
13	6612	4	Bolt	44	6643	2	Plug
14	6613	1	Pump Housing	45	6525	4	Shim Pack
15	6614	1	Ball Bearing	46	6526	1	Ck. Rel. Val. Spring
16	6615	1	Retaining Ring	47	6647	1	Ck. Rel. Val. Cone
17	6616	1	Retaining Ring	48	6648	1	Imp. Rel. Val. Cone
18	6617	1	Retaining Ring	49	6532	1	Imp. Rel. Val. Spring
19	6501	2	Retaining Ring	50	6653	1	Motor Valve Plate
20	6623	1	Trunnion Shaft	51	6654	1	Motor Shaft - Splined
21	6504	2	Washer	52	6655	1	Motor Housing
22	6505	2	Lip Seal	53	6656	1	Ball Bearing
23	6506	2	Needle Bearing	54	6530	1	"O" Ring
24	6502	1	Trunnion Shaft	55	03-570	2	"O" Ring
25	6624	1	Swashplate	56	1019	2	Bolt 1/4 - 20 x 1 3/4 Gr. 5
26	6513	3	Spring Pin	57	03-235	1	"O" Ring
27	6626	2	Plug	A.	6089	-	Kit - Chrg. Pump
28	6627	2	Accel. Valve	B.	6088	-	Kit - Ck. Valve
29	6629	1	Accel. Spring	C.	6128	-	Kit - Relief Valve
30	6522	6	Pipe Plug	D.	6129	-	Kit - Relief Valve
31	6631	1	Plug	.	03-659	-	Transmission (Complete Assy.)

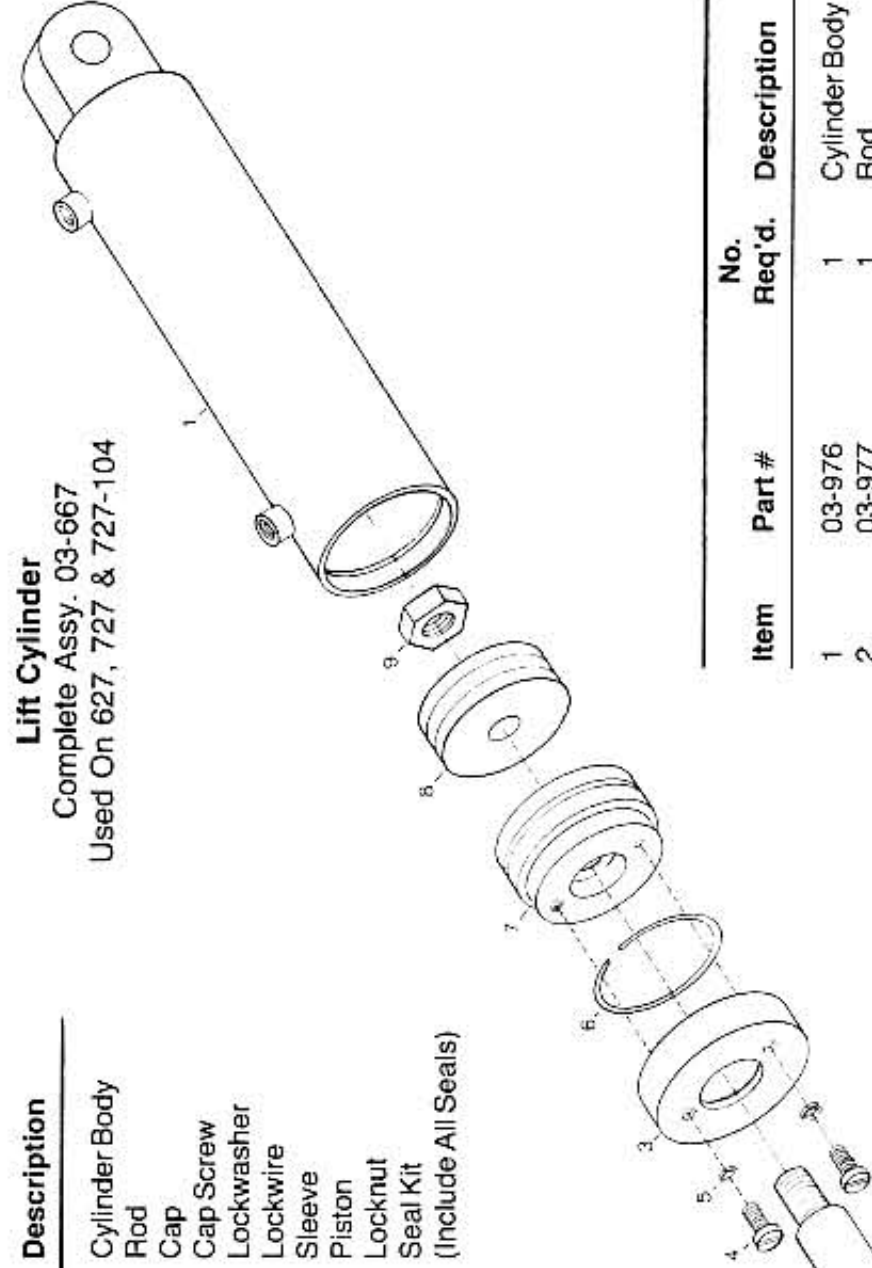


Item	Part #	No. Req'd.	Description
1*	6553	1	Upper Housing
2	6101	1	Lower Housing & Tube Assembly
3*	6029	1	Plug
4*	6554	1	Retaining Ring
5*	6555	1	Shimwasher
6*	6556	1	Bearing Cone
7*	6105	1	Bearing Cup
8*	6050	1	Spacer
9*	6557	Set	Shim
10*	6558	1	Bearing Cup
11*	6559	1	Bearing Cone
12*	6560	1	Pinion/Gear Assembly
13*	6110	1	Spur Gear
14*	6020A	1	Gasket
15*	6066	1	Cover
16*	6069	8	Bolt
17*	1023	8	Bolt 5/16 - 18 x 1 1/2
18*	6068	2	Cap
19*	6037	1	Differential Case
20*	6043	1	Pin
21	6038	10	Bolt
22*	6036	Set	Shim
23*	6111	2	Bearing Cone
24*	6112	2	Bearing Cup
25*	6065	1	Shaft
26*	6041	2	Thrust Washer
27*	6042	2	Gear
28*	6113	2	Gear
29*	6039	2	Thrust Washer
30*	6067	4	Bolt
31	6020	1	Gasket
32	6021	2	Pin

Item	Part #	No. Req'd.	Description
33	1102	8	Hex Nut - 5/16 - 18
34	1201	8	Lockwasher - 5/16
35	6019	1	Vent Tube Assembly
36	6008	2	Seal
37	6114	2	Bearing Retainer
38	6007	2	Bearing Set
39	6083	8	Bolt
40	6084	8	Spin-Locknut
41	6115	2	Dust Cover
42	6116	2	Brake Mounting Plate
43	6117	4	Brake Shoe
44	6118	2	Spring - Right
45	6119	2	Spring - Left
46	6120	2	Spring - Lower
47	6121	2	Star Wheel
48	6122	2	Adj. Tube
49	6123	2	Tube
50	6124	2	Seal Plate
51	6125	2	Axle
52	6070	10	Lug Bolt
53	6126	2	Brake Lever Assembly
54	6127	4	Lever Ret. Clip
55	05-088	2	Brake Drum
56	05-371	2	Brake Mount Plate
57	05-192	2	Shim
58	04-188	2	Bearing Cone
59	04-187	2	Bearing Cup
60	05-167	2	Seal Plate
61	04-189	2	Seal
62	1500	2	Grease Fitting
A	05-181	2	Optional Outboard Brng. Kit
.	05-001	1	Transaxle (Complete Assy.)

* Items Included in Third Member Kit 05-229

Item	Part #	No. Req'd.	Description
1	03-380	1	Cylinder Body
2	03-390	1	Rod
3	03-388	1	Cap
4	03-389	2	Cap Screw
5	1200	2	Lockwasher
6	03-387	1	Lockwire
7	03-385	1	Sleeve
8	03-384	1	Piston
9	03-381	1	Locknut
10	03-405	1	Seal Kit (Include All Seals)



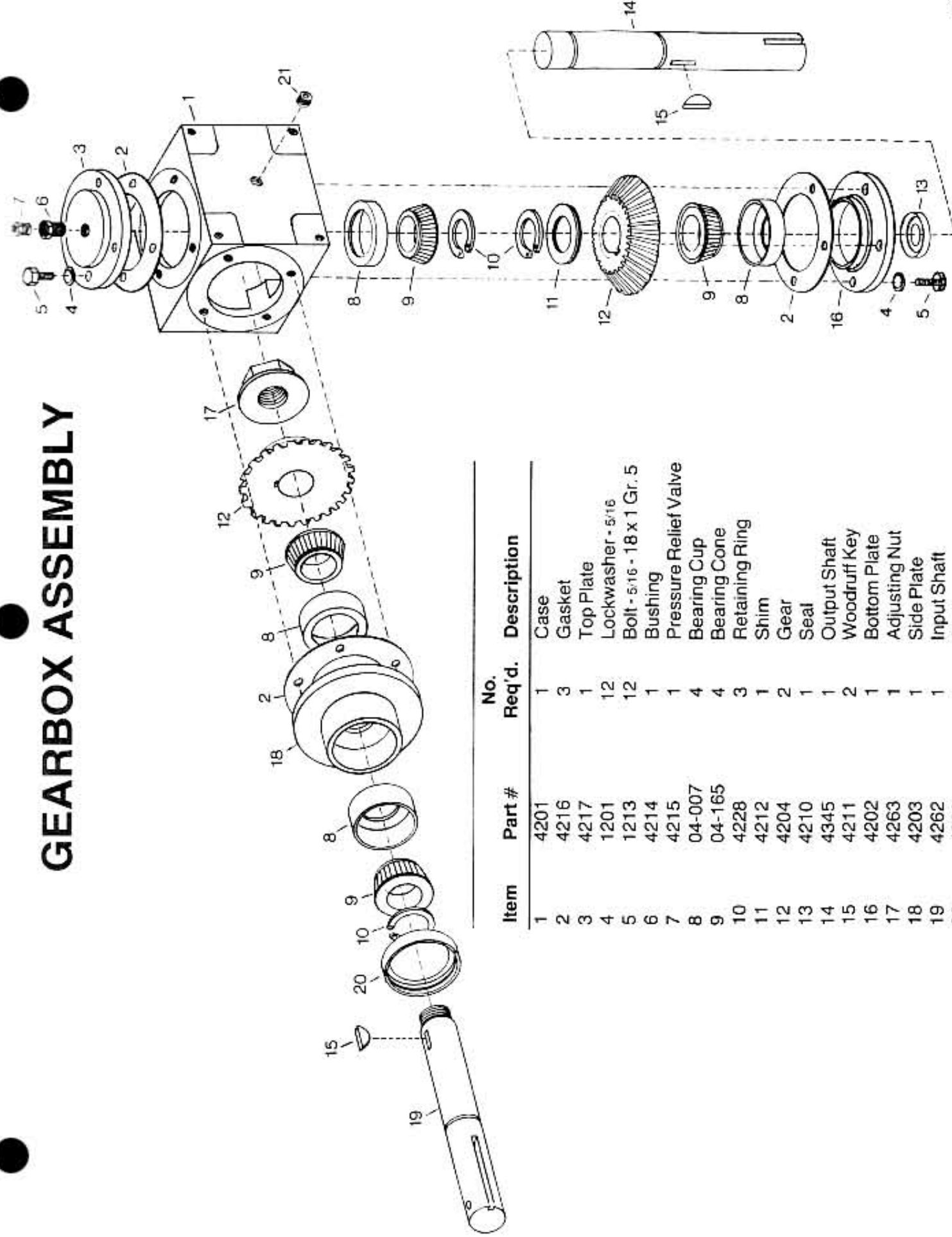
Lift Cylinder
Complete Assy. 03-667
Used On 627, 727 & 727-104

Item	Part #	No. Req'd.	Description
1	03-976	1	Cylinder Body
2	03-977	1	Rod
3	03-981	1	Cap
4	03-389	2	Cap Screw
5	1200	2	Lockwasher - 1/4
6	03-978	1	Lockwire
7	03-979	1	Sleeve
8	03-980	1	Piston
9	03-381	1	Locknut
10	03-963	1	Seal Kit (Includes All Seals)

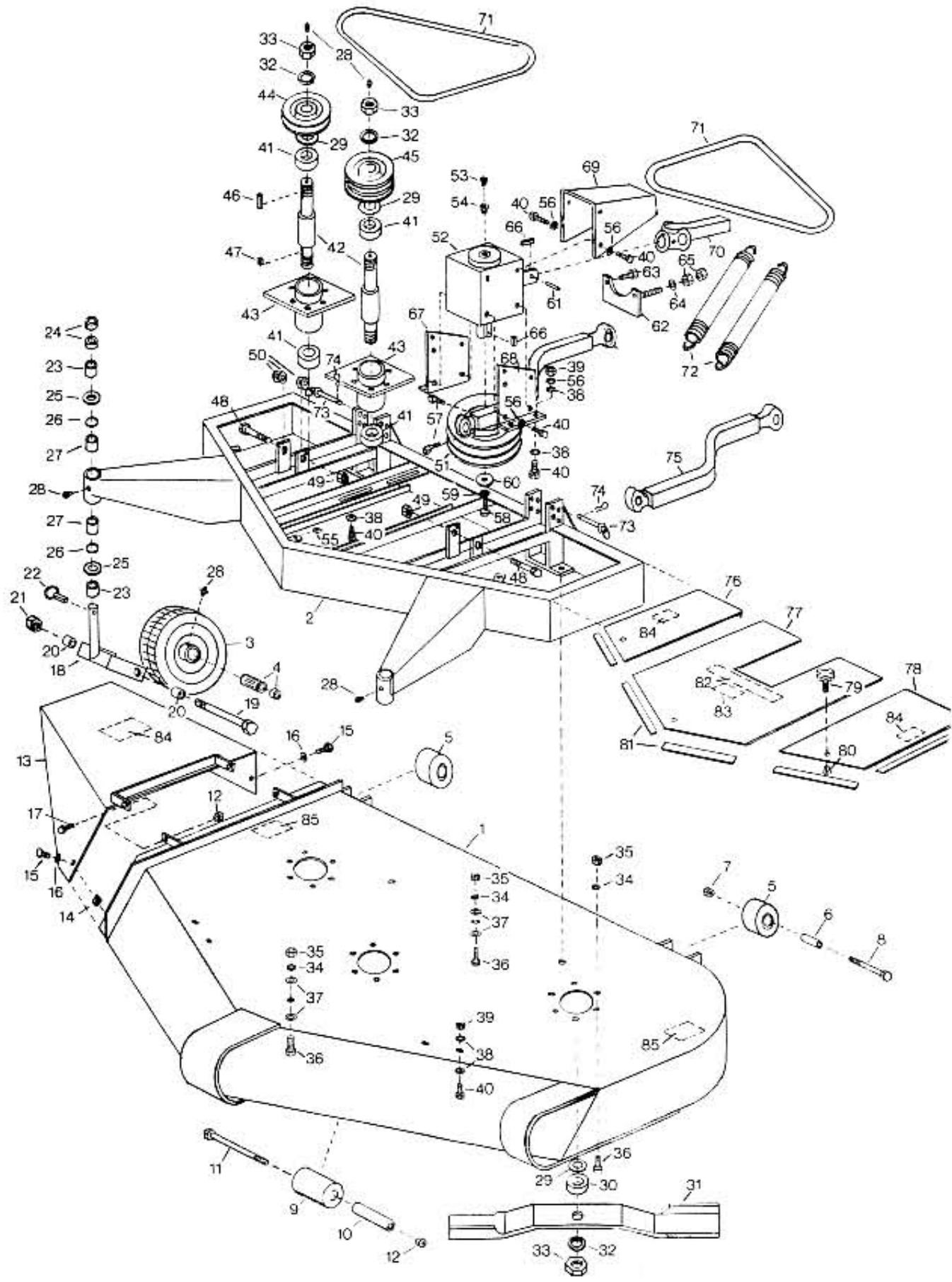
Lift Cylinder
Complete Assy. 03-962
Used On 3/5 Gang



GEARBOX ASSEMBLY



Item	Part #	No. Req'd.	Description
1	4201	1	Case
2	4216	3	Gasket
3	4217	1	Top Plate
4	1201	12	Lockwasher - 5/16
5	1213	12	Bolt - 5/16 - 18 x 1 Gr. 5
6	4214	1	Bushing
7	4215	1	Pressure Relief Valve
8	04-007	4	Bearing Cup
9	04-165	4	Bearing Cone
10	4228	3	Retaining Ring
11	4212	1	Shim
12	4204	2	Gear
13	4210	1	Seal
14	4345	1	Output Shaft
15	4211	2	Woodruff Key
16	4202	1	Bottom Plate
17	4263	1	Adjusting Nut
18	4203	1	Side Plate
19	4262	1	Input Shaft
20	4209	3	Seal



Item Part#	No. Req'd	Description
1 07-300	1	Grass Pan 72"
07-320	1	Grass Pan Rear Discharge 72"
07-310	1	Grass Pan 60"
07-600	1	Grass Pan Rear Discharge 60"
07-301	1	Frame - 72"
07-311	1	Frame - 60"
05-091	2	Caster Wheel Assy. - Front
05-158	-	Inner Tube
05-257	-	Wheel Brng. Kit
4129	2	Caster Wheel Assy. - Rear
4264	-	Bushing
1112	2	Locknut - 3/8 - 16 x 2 3/4
1823	2	Roller
4229	1	Bushing
4260	1	Bushing
1886	1	Bolt - 5/16 - 18 x 5 1/2
12111	3	Locknut - 5/16 - 18
07-302	1	Chute - 72"
4294	1	Chute - 60"
1732	2	"U" - Nut - 1/4 - 20
1000	2	Bolt 1/4 - 20 x 3/4
1220	2	Flatwasher - 1/4
1957	2	Bolt - 3/8 - 16 x 1
07-308	2	Caster Yoke
1709	2	Axle Bolt - 3/8 - 11 x 6
4341	4	Spacer
1113	2	Locknut - 3/8 - 11
07-016	2	Click Pin
07-000	4	1" Spacer
07-001	4	1/2" Spacer
1942	4	Flatwasher 1 1/4 I.D.
03-171	4	"O" Ring
04-002	4	Bushing
1500	7	Grease Fitting
07-011	6	Machine Bushing
07-006B	3	Blade Adaptor
07-204	3	Blade - 72" Standard Lift

Item Part#	No. Req'd	Description
07-204H	3	Blade - 72" High Lift
07-108	3	Blade - 60" Standard Lift
07-108H	3	Blade - 60" High Lift
1207	6	Lockwasher - 1"
1731	6	Halfnut 1" - 14
1201	26	Lockwasher - 5/16
1102	26	Hexnut - 5/16 - 18
1213	30	Bolt - 5/16 - 18 x 1
1221	12	Flatwasher - 5/16
1222	8	Flatwasher - 3/8
1112	8	Locknut - 3/8 - 16
1957	16	Bolt - 3/8 - 16 x 1
04-105A	6	Blade Shaft Bearing
07-126	3	Blade Shaft
07-130	3	Blade Hub Assy (Complete W/ Brngs & Shaft)
07-125	3	Blade Hub Only
07-008	3/1987	Blade Hub Assy (Complete W/ Brngs & Shaft)
07-009	3/1967	Blade Hub Only
04-057	2	Pulley - Single Groove 72"
04-064	2	Pulley - Single Groove 60"
04-068	1	Pulley - Double Groove 72"
04-065	1	Pulley - Double Groove 60"
1316	5	Key 1/4 x 3/4
1317	3	Key 1/4 x 3/8
1085	2	Bolt - 3/4 - 10 x 3
1114	2	Locknut - 3/4 - 10
1235	8	Flatwasher - 3/4 SAE
4163	1	Pulley - Gearbox 72"
4347	1	Gearbox
4215	1	Vent Plug
4214	1	Reducer Bushing
2015	3	"U" Nut - 5/16 - 18
1202	12	Lockwasher - 3/8
1615	2	Setscrew (5/16 - 18 x 1 Sqr. Head)
1020	1	Bolt - 5/16 - 18 x 3/4
1201	1	Lockwasher - 5/16
1229	1	Fenderwasher 5/16 (1 1/4 O.D.)

Item Part#	No. Req'd	Description
61 1402	1	Roll Pin 5/16 x 1 1/4
62 07-024	1	Gearbox Tension Bracket
63 1213	2	Bolt - 5/16 - 18 x 1
64 1219	1	Flatwasher - 7/16
65 1745	2	Hexnut - 7/16 - 14
66 1602	2	Key - 1/4 x 1 1/4
67 07-013	1	Gearbox Mount Bracket - Right
68 07-012	1	Gearbox Mount Bracket - Left
69 07-014	1	Drive Shaft Guard
07-339	1	Drive Shaft Guard (W/O Joint Cover)
04-119B	1	Drive Shaft - Male
71 3463	2	Belt - 72"
3462	2	Belt - 60"
04-131	2	Spring
07-015	2	Rear Deck Pin - 72"
4287	2	Rear Deck Pin - 60"
4104	2	Hair Pin Clip
07-305	2	Push Arm - 72"
07-312	2	Push Arm - 60"
07-317	1	Deck Hood - Right 72"
07-323	1	Deck Hood - Right 60"
07-316	1	Deck Hood - Center 72"
07-322	1	Deck Hood - Center 60"
4344	1/1987	Deck Hood 72" (1 piece)
4343	1/1987	Deck Hood 60" (1 piece)
07-318	1	Deck Hood - Left 72"
07-324	1	Deck Hood - Left 60"
07-315	3	Deck Hood Knob
2026	3	Retaining Clip
00-083	7ft.	Weatherstrip 1/4 x 1
7039	1	Decal - 72"
7011	1	Decal - 72"
7012	1	Decal - 60"
00-022	3	Decal - "OSHA Guards"
00-054	3	Decal - "Rotating Blades"