



18155 Edison Avenue • Chesterfield, Missouri 63017

HYDRO-POWER 180

PARTS MANUAL

MODEL H-180 TRACTOR
MODEL RC72 ROTARY MOWER
MODEL RR60 ROTARY MOWER
MODEL RL60 ROTARY MOWER

TRACTION UNIT MODELS:

H180
H180T

CUTTING UNIT MODELS:

15' Cut - 06-515

RFD72
RRD60
RLD60

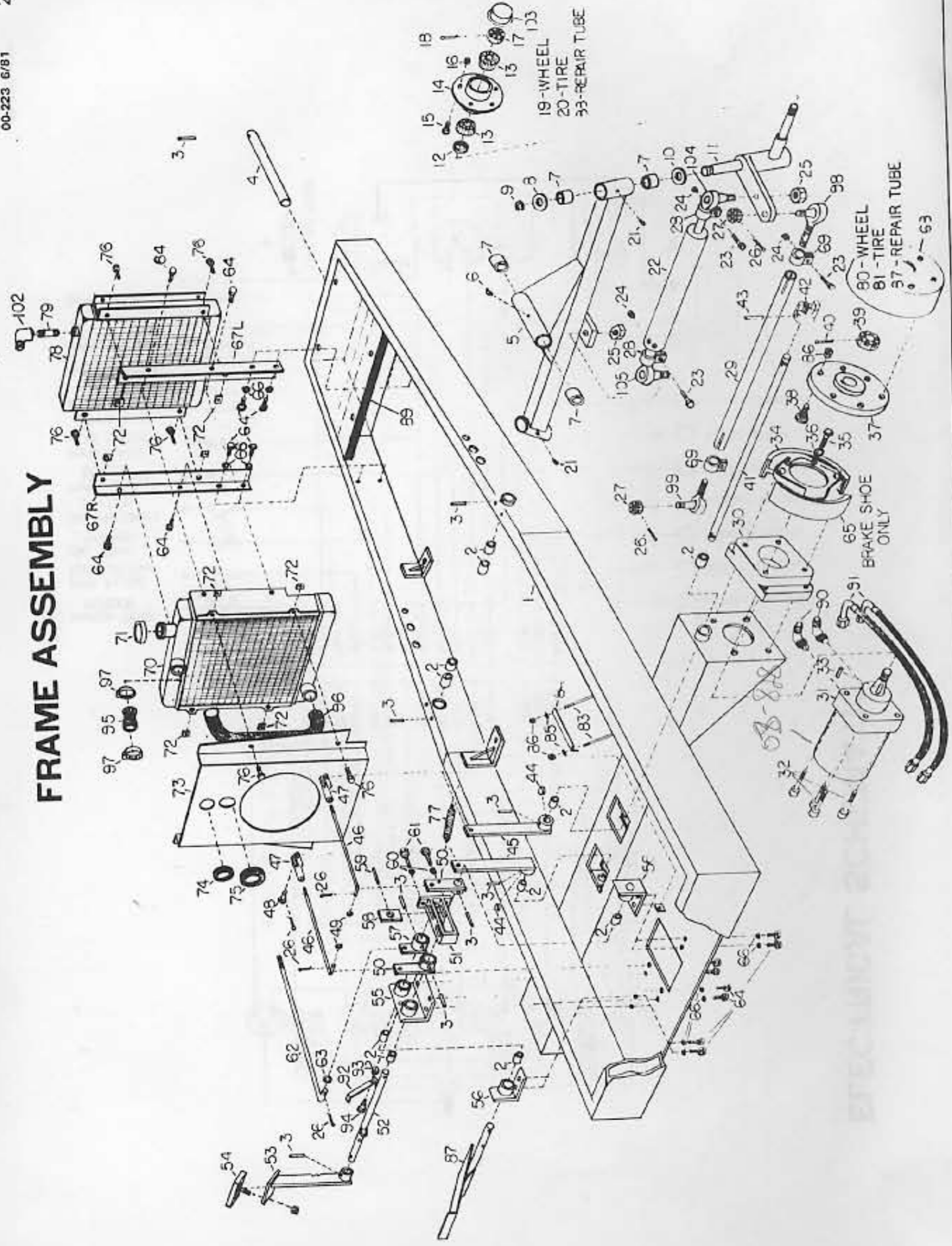
16.5' Cut - 06-520

RFD72
RRD72
RLD72

INDEX

ELECTRICAL SCHEMATIC	1, 2
CUMMINS ENGINE ASSEMBLY	3
RADIATOR/OIL COOLER	5
INSTRUMENT PANEL	7
COVERS AND GUARDS	9
FRAME LINKAGES	11
HYDRAULIC RESERVOIR ASSEMBLY	13
HYDRAULIC PTO/LIFT CIRCUIT	15
STEERING HYDRAULICS	17
VALVE BANK ASSEMBLY	19
REAR STEERING	21
4 WHEEL DRIVE ASSEMBLY	23
BRAKES/DRIVE TRAIN ASSEMBLY	25
DIFFERENTIAL ASSEMBLY	27
WING ARM ASSEMBLY	29
WING DECK ASSEMBLY	31
FRONT DECK ASSEMBLY	33
DECK ASSEMBLY	35
SEAT ASSEMBLYS	37
AIR SEAT ASSEMBLY	39
TRANSMISSION ASSEMBLY	41
DRIVE MOTOR ASSEMBLY	43
VALVE BLOCK SUBASSEMBLY	45
STEERING CYLINDER	47
STEERING VALVE ASSEMBLY	48
LIFT CYLINDER	49
DECK MOTOR	50
TRIPLEX PUMP	51

FRAME ASSEMBLY



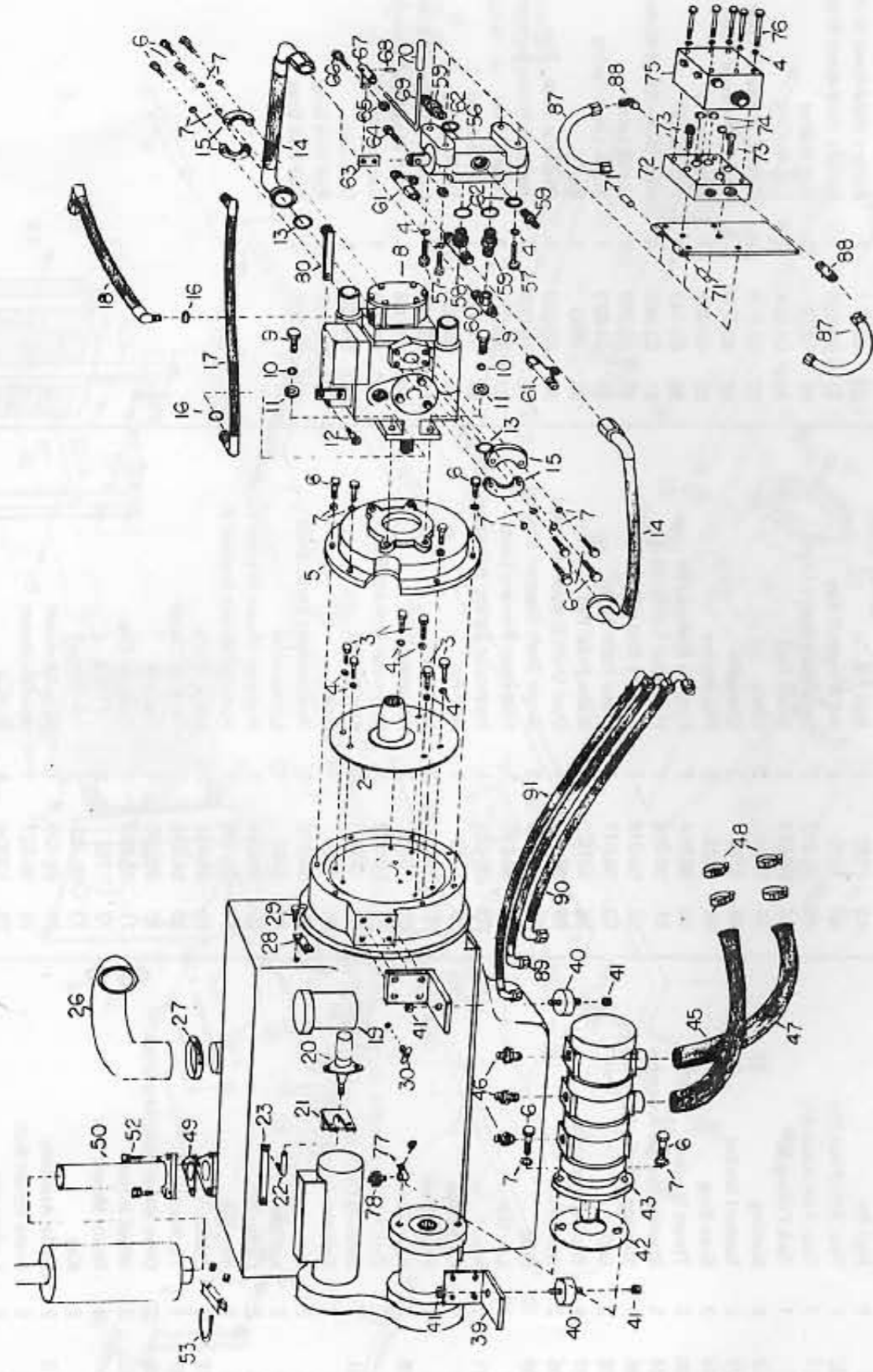
Item Number	No. Req'd	Description
1	06-001	1 Frame
2	4121	12 Bushing
3	1132	9 Roll Pin
4	06-002	1 Rear Axle Pivot Pin
5	06-003	1 Rear Axle Assembly
6	1502	1 Zerk Fitting 90°
7	04-002	2 Bushing
8	04-003	2 Support Washer
9	04-004	2 Snap Ring
10	04-005	2 Thrust Washer
11L	06-004	1 Steering Spindle Assembly L
11R	06-005	1 Steering Spindle Assembly R
12	04-006	2 Seal
13	04-007	4 Bearing Assembly
14	04-008	2 Wheel Hub
15	04-009	10 Stud
16	4709	10 Lug Nut
17	04-011	2 Nut
18	1609	2 Cotter Pin
19	5079	2 Rear Wheel
20	06-006	2 Rear Tire
21	1500	2 Zerk Fitting Straight
22	03-001	1 Steering Cylinder
23	1727	2 Cylinder Clamp Bolt
24	1728	2 Nut
25	1729	2 Locknut
26	1609	2 Cotter Pin
27	1070	2 Hex Nut
28	04-012	2 Clamp
29	06-007	1 Tie Rod
30	06-008	2 Drive Wheel Mounting Block
31	03-002	2 Wheel Motor
32	1730	8 Motor Mount Bolt
33	1314	2 Key
34	04-013	2 Brake Assembly
35	1050	8 Brake Mount Bolt
36	1203	8 Lockwasher
37	04-094	2 Drive Wheel Hub
38	04-095	12 Stud
39	03-312	2 Hex Nut
40	1610	2 Cotter Pin

New Hubs

Item Number	No. Req'd	Description
41	06-010	2 Secondary Brake Shaft
42	06-011	2 Brake Cam
43	1133	2 Roll Pin
44	1315	4 #9 Woodruff Key
45	06-012	2 Secondary Brake Lever
46	06-013	2 Brake Rod
47	5164	2 Clevis
48	5160	2 Clevis Pin
49	1222	2 Flat Washer
50	06-014	2 Primary Brake Lever
51	06-015	1 Hydrostat Safety Strap
52	06-016	1 Primary Brake Shaft
53	06-017	1 Brake Pedal Lever
54	5276	1 Brake Pedal Pad
55	06-018	1 Dual Shaft Support Bracket
56	06-019	2 Single Shaft Support Bracket
57	06-020	1 Hydrostat Primary Lever
58	06-021	1 Hydrostat Safety Adjustment Bar
59	1142	1 Roll Pin
60	1111	2 Locknut
61	1023	2 Adjusting Bolt
62	06-022	1 Hydrostat Linkage Rod
63	1223	1 Flat Washer
64	1030	16 Bolt
65	04-015	2 Replacement Brake Shoe
66	1202	12 Lockwasher
67L	06-099	1 Radiator Mount Bracket L
67R	06-100	1 Radiator Mount Bracket R
68	06-031	2 Brake Drum
69	04-016	2 Tie Rod Clamp
70	06-101	1 Radiator
71	06-024	1 Radiator Cap
72	1732	8 "U" Nut
73	06-102	1 Fan Shroud
74	06-026	1 Hose Grommet
75	06-027	1 Hose Grommet
76	1000	8 Bolt
77	4114	1 Brake Return Spring
78	03-003	1 Oil Cooler
79	03-100	1 Straight Fitting
80	06-028	2 Drive Wheel

Item Number	No. Req'd	Description
81	06-029	2 Drive Tire
82	06-030	- Drive Tire Chains (Not shown)
83	04-017	2 Battery Hold-down Studs
84	04-096	1 Battery Hold-down Bracket
85	1220	2 Flat Washer
86	04-061	12 Lug Nut
87	04-019	- Drive Tire Repair Tube
88	5081	- Rear Tire Repair Tube
89	00-051	- Weatherstrip
90	03-143	4 Fitting 45°
91	03-064	4 Hose-Drive Wheel Motor
92	06-089	1 Brake Latch
93	04-073	1 Brake Latch Spring
94	1760	1 Bolt
95	04-097	1 Radiator Hose - Top
96	04-098	1 Radiator Hose - Bottom
97	04-038	4 Hose Clamp
98	04-085	1 Tie Rod End - L
99	04-086	1 Tie Rod End - R
100	06-093	- Drive Tire/Wheel Assembly
101	06-094	- Rear Tire/Wheel Assembly
102	03-058	1 Fitting 90°
103	04-107	2 Dust Cup
104	04-108	1 Rod End Brng
105	04-109	1 Rod End Brng

ENGINE

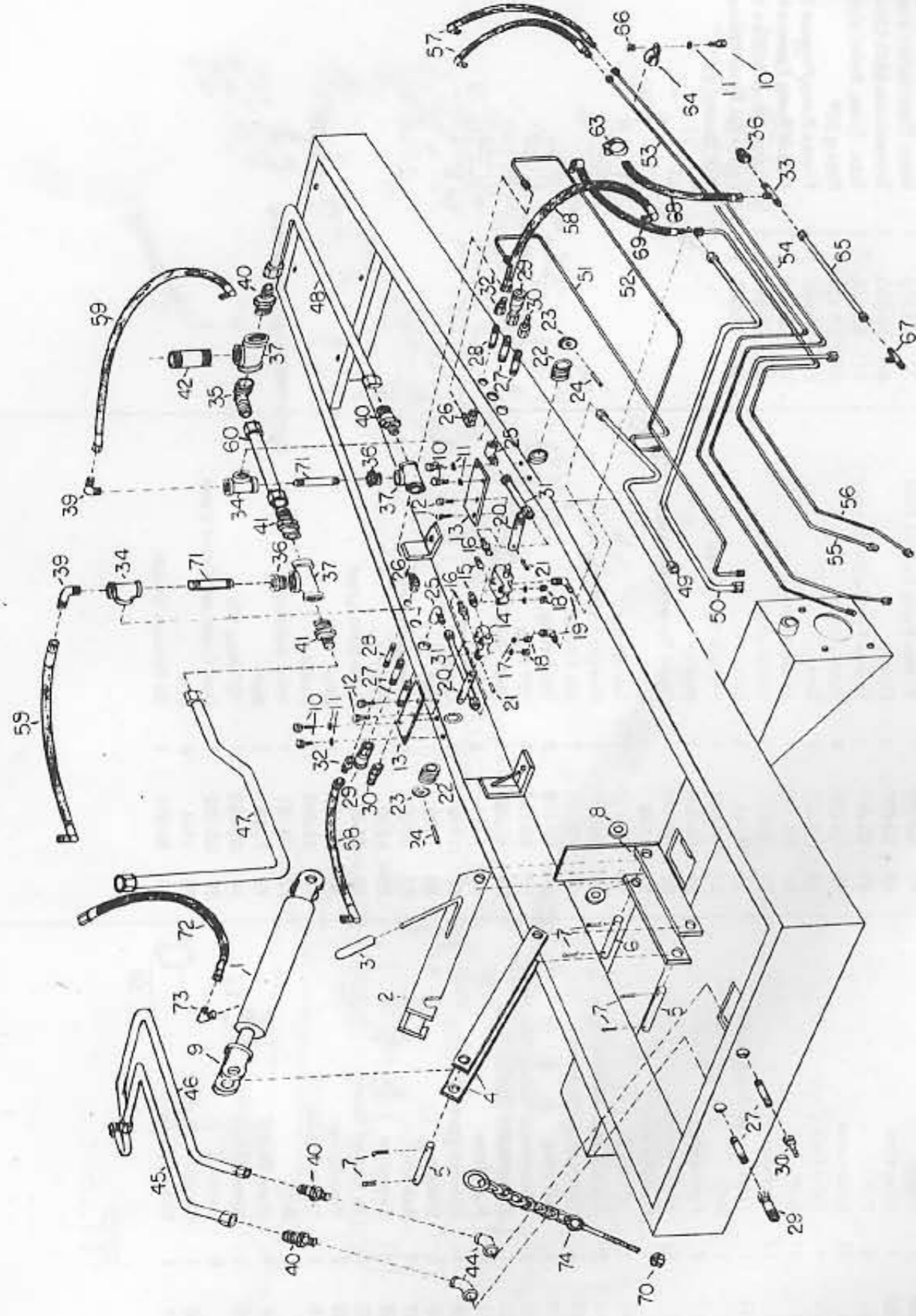


Item Number	No. Req'd	Description
1	1	Engine
2	1	Drive Plate
3	6	Bolt
4	15	Lockwasher
5	1	Drive Plate Cover
6	17	Bolt
7	17	Lockwasher
8	1	Transmission Assembly
9	8	Bolt
10	8	Lockwasher
11	4	Flat Washer
12	1	Shoulder Bolt
13	2	"O" Ring
14	2	Transmission Pressure Hose
15	4	Split Flange Clamp Half
16	3	"O" Ring
17	1	Transmission Relief Valve Hose
18	1	Transmission Suction Hose
19	1	Fuel Filter
20	1	Synchro-Start Sol.
21	1	Bracket
22	1	Ball Joint
23	1	Extension
24	1	Air Cleaner Hose
25	2	Hose Clamp
26	1	Throttle Guide
27	1	Bolt
28	1	Drain Cock
29	4	Motor Mount
30	8	Locknut
31	1	Gasket
32	1	Triplex Pump
33	1	Triplex Pump Suction Hose
34	3	Fitting
35	4	Hose Clamps
36	1	Gasket
37	1	Exhaust Pipe
38	3	Lockwasher
39	3	Bolt
40	1	Exhaust Pipe Clamp Kit
41	1	Muffler
42	1	Speed Range Valve
43	4	Bolt
44	1	Tee Fitting
45	3	Straight Fitting
46	1	Tee Fitting
47	2	Tee Fitting
48	4	"O" Ring
49	1	Valve Shift Linkage
50	1	Bolt
51	2	Locknut
52	1	Bolt
53	1	Valve Shift Tab
54	1	Roll Pin
55	1	Valve Shift Lever
56	1	Grip
57	2	Bushing
58	1	Valve Subplate
59	2	Bolt
60	1	"O" Ring Kit
61	1	Dual Cross-over Relief Valve
62	6	Bolt
63	1	Oil Pressure Switch

Item Number	No. Req'd	Description
45	1	Triplex Pump Suction Hose
46	3	Fitting
47	1	Triplex Pump Suction Hose
48	4	Hose Clamps
49	1	Gasket
50	1	Exhaust Pipe
51	3	Lockwasher
52	3	Bolt
53	1	Exhaust Pipe Clamp Kit
54	1	Muffler
56	1	Speed Range Valve
57	4	Bolt
58	1	Tee Fitting
59	3	Straight Fitting
60	1	Tee Fitting
61	2	Tee Fitting
62	4	"O" Ring
63	1	Valve Shift Linkage
64	1	Bolt
65	2	Locknut
66	1	Bolt
67	1	Valve Shift Tab
68	1	Roll Pin
69	1	Valve Shift Lever
70	1	Grip
71	2	Bushing
72	1	Valve Subplate
73	2	Bolt
74	1	"O" Ring Kit
75	1	Dual Cross-over Relief Valve
76	6	Bolt
78	1	Oil Pressure Switch

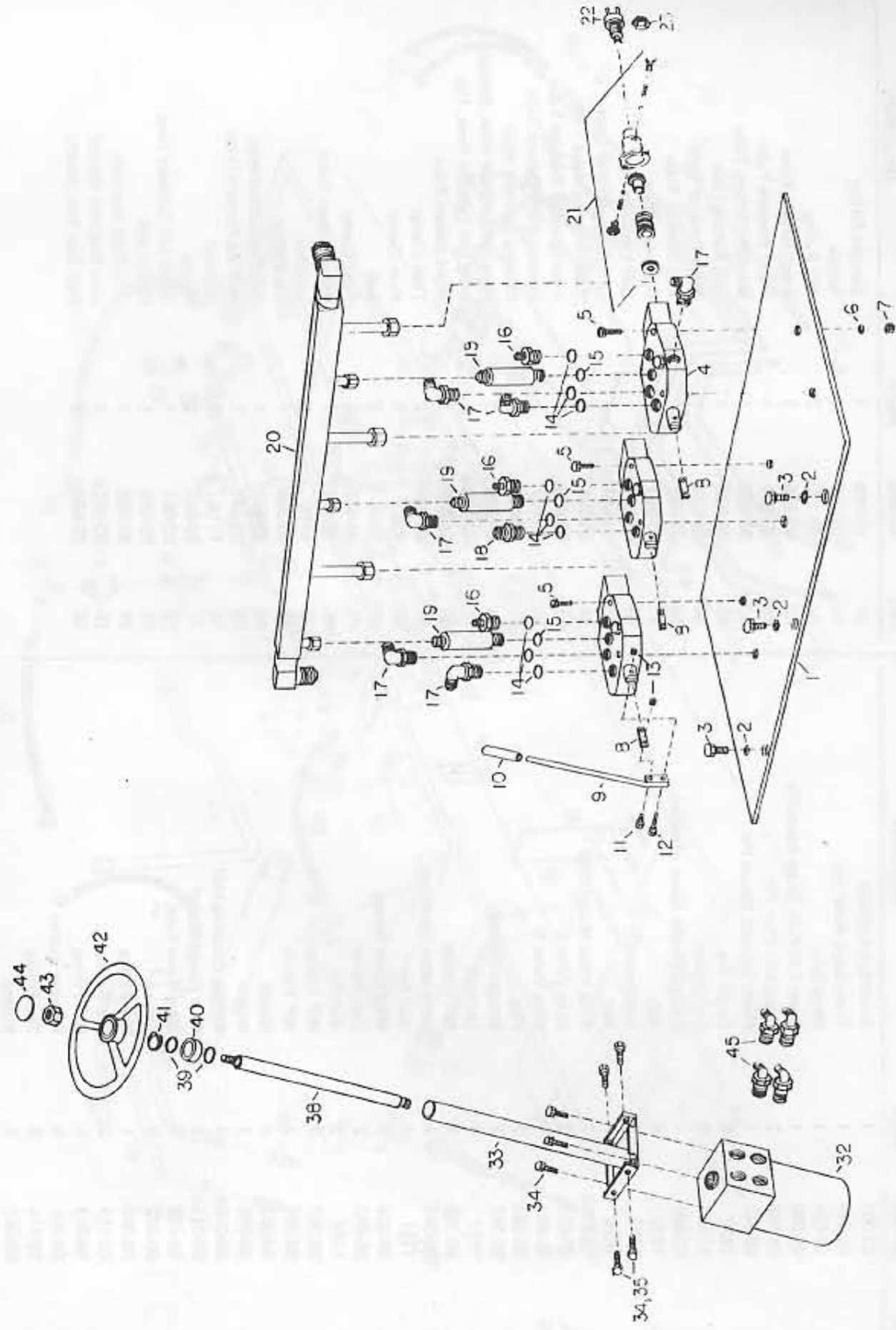
Item Number	No. Req'd	Description
79	1	Water Temperature Sender
80	1	Transmission Shift Clevis
87	2	Tube, Trans. Relief Valve
88	2	Fitting 90°
89	1	Triplex Pump Pressure Hose
90	1	Triplex Pump Pressure Hose
91	1	Triplex Pump Pressure Hose
92	-	Engine Oil Filter Element (Not Shown)

FRAME PLUMBING



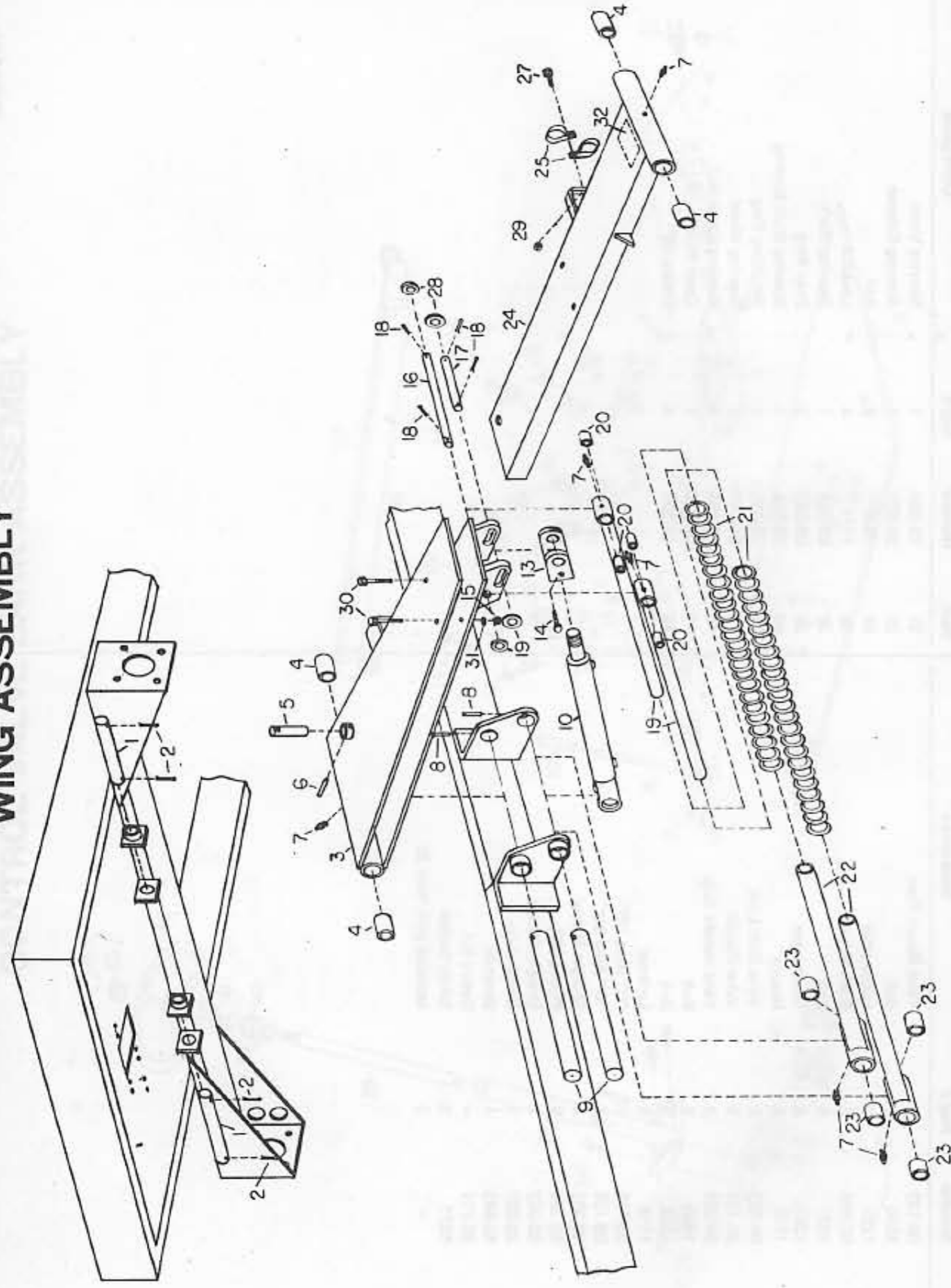
Item	Number	No. Req'd	Description	Item	Number	No. Req'd	Description
1	03-007	1	Front Lift Cylinder	41	03-088	2	Straight Fitting
2	06-044	1	Front Lock Assembly	42	03-100	1	Nipple
3	04-024	1	Hand Grip	44	03-110	2	45° Fitting
4	06-045	1	Front Lift Pivot Strap Assembly	45	03-626	1	Front Return Tube
5	06-046	2	Front Lift Pivot Pin	46	03-627	1	Front Pressure Tube
6	06-047	1	Front Cylinder Mount Pin	47	03-628	1	Manifold Return Tube
7	1609	6	Cotter Pin	48	03-629	1	Left Return Tube
8	1734	2	Flat Washer	49	03-630	1	Right Pressure Tube
9	03-006	1	Front Cylinder Clevis Assembly	50	03-631	1	Left Pressure Tube
10	1030	6	Bolt	51	03-632	1	Right Lift Tube
11	1202	6	Lockwasher	52	03-633	1	Left Lift Tube
12	1024	4	Bolt	53	03-634	1	Left Steering Valve Tube
13	06-048A	2	Wing Valve Mount Plate	54	03-635	1	Right Steering Valve Tube
14L	03-623	2	Wing Valve L	55	03-636	1	Steering Valve Pressure Tube
14R	03-624	1	Wing Valve R	56	03-637	1	Steering Valve Return Tube
15	03-363	2	Plug	57	03-048	2	Steering Cylinder Hose
16	03-362	2	Straight Fitting	58	03-049	2	Wing Lift Cylinder Hose, Bottom
18	1111	4	Locknut	59	03-050	2	Wing Lift Cylinder Hose, Top
19	03-366	2	90° Fitting	60	03-638	1	Right Return Tube
20	06-049	2	Wing Valve Extension	61	04-082	2	Tube Clamp
21	1131	2	Roll Pin	62	6023	1	Hose Clamp
22	04-025	2	Wing Valve Spring	63	1000	6	Bolt
23	06-050	2	Cam Roller	64	04-026A	4	Tube Clamp
24	1132	2	Roll Pin	65	03-639	1	Trans. Return Tube
25	03-357	2	90° Fitting	66	1110	6	Locknut
26	03-354	2	90° Fitting	67	03-359	1	Tee Fitting
27	03-098	6	Nipple	68	03-640	1	Steering Suction Hose
28	03-096	2	Nipple	69	03-641	1	Steering Pressure Hose
29	03-010A	3	Female Coupling Half	70	1113	1	Locknut
30	03-011A	3	Male Coupling Half	71	03-642	2	Nipple
31	03-625	2	Wing Valve Tube	72	03-051	1	Front Lift Cylinder Hose
32	03-352	2	Fitting	73	03-085	1	Fitting 90°
33	03-360	1	Tee Fitting	74	04-088	1	Lift Chain Assembly
34	03-113	2	Tee Fitting	75	03-091A	3	Dust Plug (not shown)
35	03-353	1	90° Fitting	76	03-656A	3	Dust Cap (not shown)
36	03-105	3	Reducer Busher				
37	03-114	3	Tee Fitting				
38	03-087	2	Fitting				
39	03-082	2	90° Fitting				
40	03-084	2	Straight Fitting				

CONTROL VALVE BANK ASSEMBLY



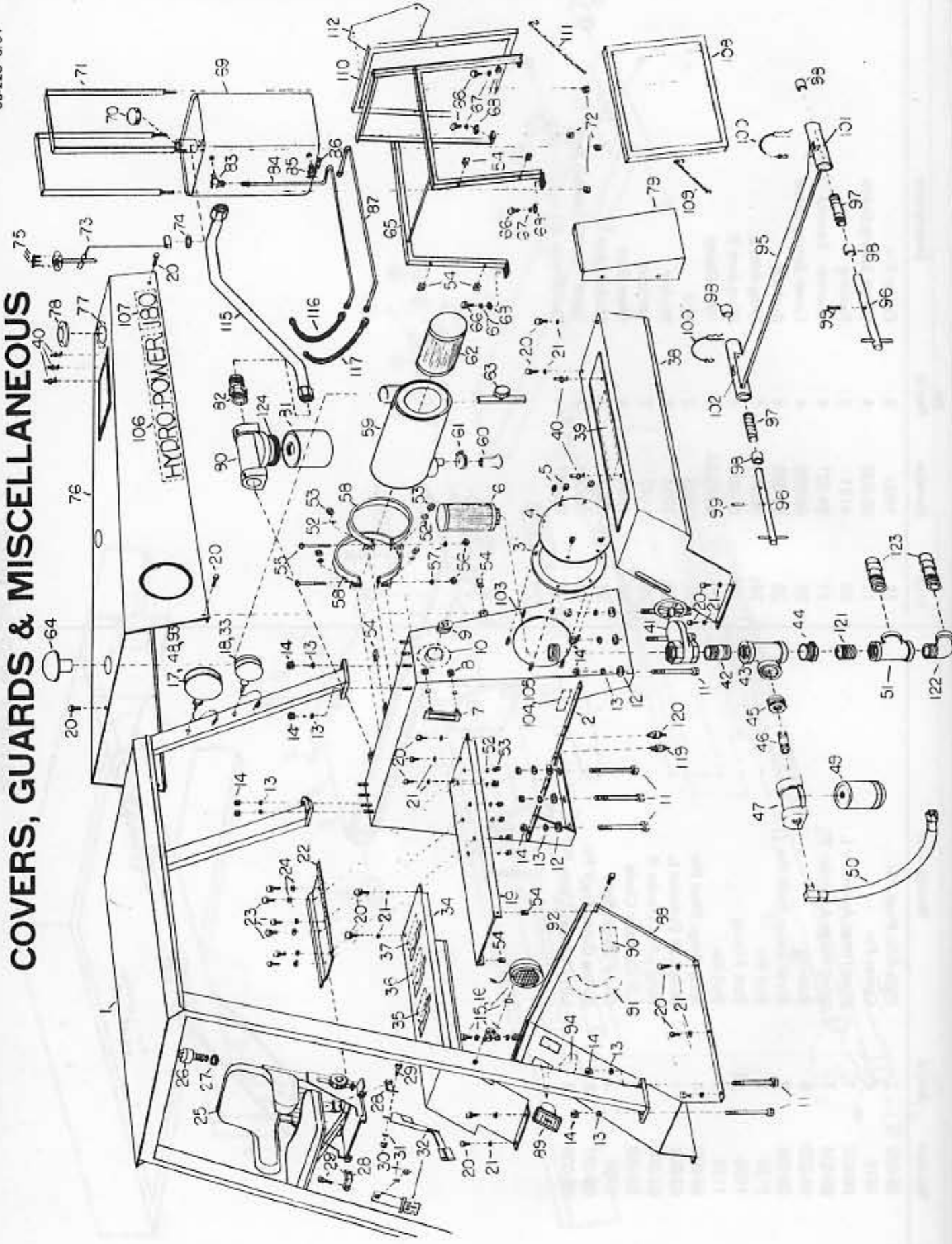
Item	Number	No. Req'd	Description
1	06-103	1	Valve Mount Plate
2	1030	3	Bolt
3	1202	3	Lockwasher
4	03-606	3	Blade Valve
5	1027	6	Bolt
6	1201	6	Lockwasher
7	1102	6	Hexnut
8	04-083	6	Valve Shift Link
9	06-104	3	Valve Handle
10	04-024	3	Valve Handle Grip
11	1000	3	Bolt
12	1004	3	Bolt
13	1110	6	Locknut
14	03-129	12	"O" Ring 7/8"
15	03-128	7	"O" Ring 3/4"
16	03-361	3	Straight Fitting
17	03-366	8	Fitting 90°
18	03-362	1	Straight Fitting
19	03-607	3	Check Valve
20	03-643	1	Manifold
21	03-714	-	Detent Kit
22	5221	3	Safety Switch
23	-	3	Included with Item 22
32	03-030	1	Steering Valve
33	03-031	1	Steering Column
34	1020	8	Bolt
35	1111	4	Locknut
38	03-032	1	Steering Shaft
39	03-033	2	Snap Ring
40	03-034	1	Steering Shaft Bearing
41	03-035	1	Retaining Ring
42	04-027	1	Steering Wheel
43	03-036	1	Steering Wheel Nut
44	04-028	1	Cover Plate
45	03-368	4	Fitting 45°

WING ASSEMBLY



Item	Number	No. Req'd	Description	Item	Number	No. Req'd	Description
1	06-032	2	Push Arm Pivot Pin	18	1609	8	Cotter Pin
2	1610	4	Cotter Pin	19	06-039	4	Upper Spring Guide
3L	06-033	1	Wing Hinge Assembly L	20	4121	8	Bushing
3R	06-034	1	Wing Hinge Assembly R	21	04-021	4	Counter - Balance Spring
4	04-020	8	Bushing	22	06-040	4	Lower Spring Guide
5	06-035	2	Break-a-way Pivot Pin	23	04-002	8	Bushing
6	1132	2	Roll Pin	24L	06-041	1	Wing Arm L
7	1500	12	Zerk Fitting	24R	06-042	1	Wing Arm R
8	1133	4	Roll Pin	25	04-022A	4	Hose Clamp
9	06-036	4	Wing Hinge Pivot Pin	27	1003	2	Bolt
10L	03-004	4	Wing Lift Cylinder L	28	1734	8	Washer
10R	03-005	1	Wing Lift Cylinder R	29	1110	2	Locknut
13	03-006	2	Lift Cylinder Clevis	30	1039	4	Shear Bolt
14	1733	2	Clevis Clamp Bolt	31	1202	4	Lockwasher
16	06-037	2	Spring Guide Pivot Pin	32	00-001	2	Decal "Spring Loaded Arm"
17	06-038	2	Lift Cylinder Clevis Pin	33	03-657	-	Seal Repair Kit

COVERS, GUARDS & MISCELLANEOUS

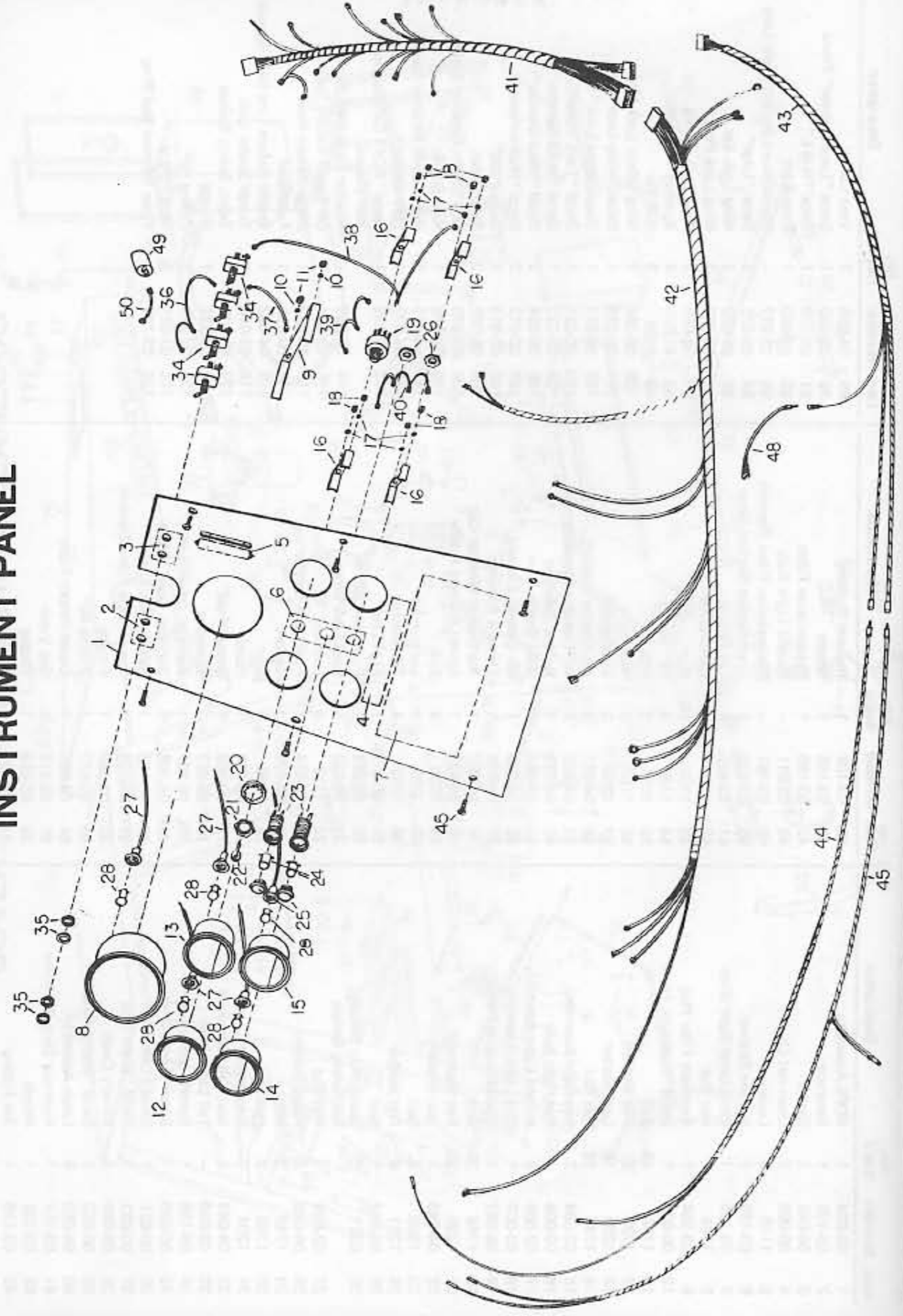


Item Number	No. Req'd	Description
1	1	ROPS Assembly
2	1	Reservoir
3	1	Gasket
4	1	Clean-out Cover
5	6	Locknut
6	1	Suction Strainer
7	1	Fluid Level Sight Glass
8	2	Hex Nut
9	1	Reservoir Filler Plug
10	1	Decal "Hydraulic Fluid"
11	10	Bolt
12	6	Flat Washer
13	18	Lockwasher
14	18	Hex Nut
15	2	Headlight Assembly
16	-	Headlight Bulb
17	2	Hazard Light Assembly
18	1	Tail Light Assembly
19	1	Seat Mounting Plate
20	30	Bolt
21	30	Flat Washer
22	1	Seat Bracket
23	6	Bolt
24	6	Flat Washer
25	1	Seat
26	2	Seat Safety Switch/ Brk Safety Switch
27	3	Hex Nut
28	1	Angle Bracket
29	2	Bolt
30	2	Hex Nut
31	2	Lockwasher
32	1	Seat Belt, Complete
33	-	Tail Light Bulb
34	1	Control Valve Cover
35	1	Decal "Front Unit"
36	1	Decal "Left Unit"
37	1	Decal "Right Unit"
38	1	Battery Cover
39	1	Decal "Instructions"
40	5	Latch Assembly
41	1	Reservoir Shut-Off Valve
42	1	Nipple
43	1	Tee Fitting
44	1	Reducer Bushing

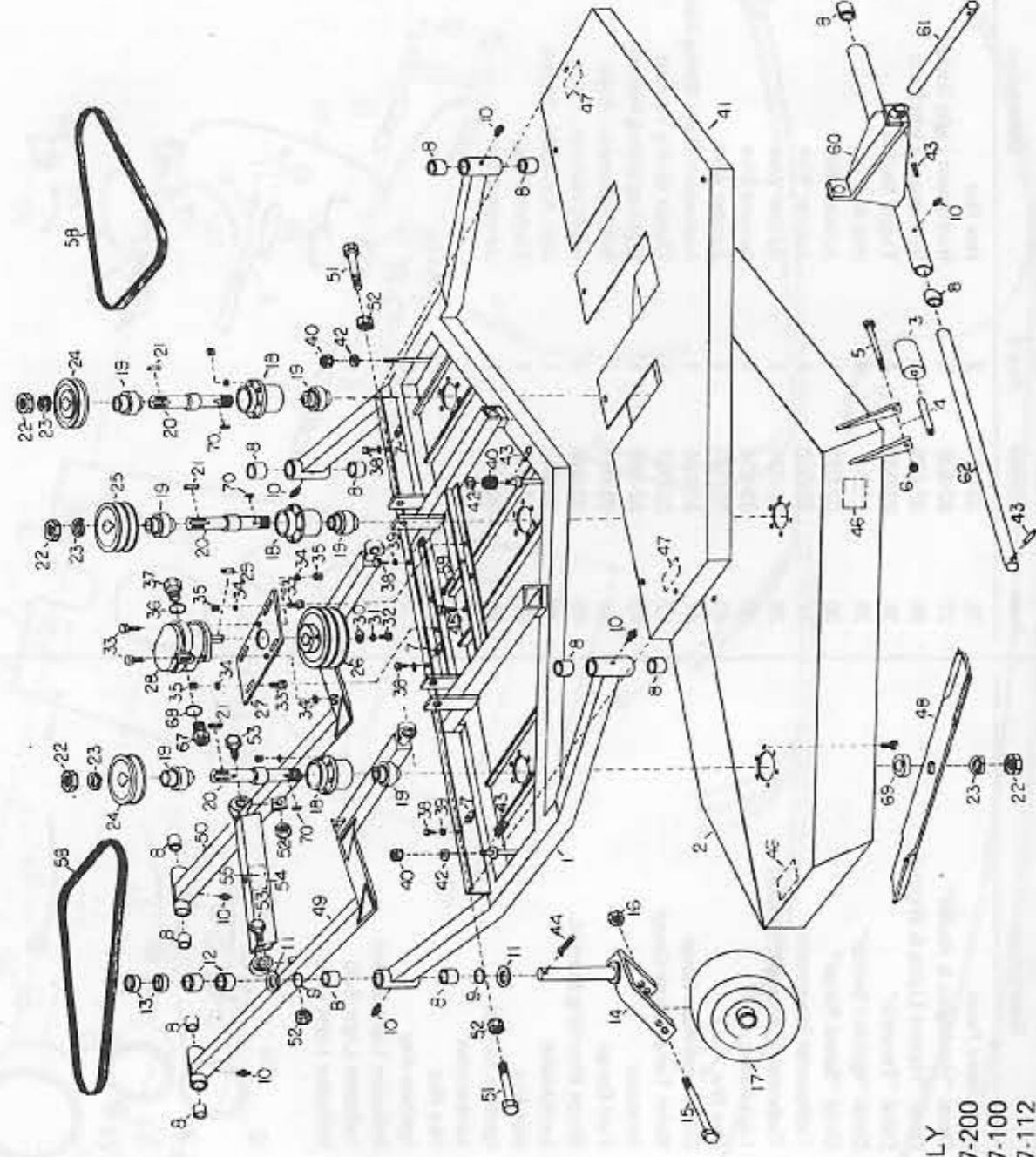
Item Number	No. Req'd	Description
45	1	Reducer Bushing
46	1	Nipple
47	1	Transmission Filter
48	1	Hazard Light Bulb
49	-	Transmission Filter Element
50	1	Transmission Suction Hose
51	1	Tee Fitting
52	10	Lockwasher
53	10	Nut
54	9	"U" Nut
55	2	Bolt
56	2	Nut
57	2	Lockwasher
58	2	Air Cleaner Bracket
59	1	Air Cleaners Assembly
60	1	Rubber Cleanout
61	1	Hose Clamp
62	1	Air Cleaner Element
63	1	Element Retainer
64	1	Air Cleaner Weather Cap
65	1	Screen Support Frame
66	4	Bolt
67	4	Lockwasher
68	4	Flat Washer
69	4	Fuel Tank
70	1	Fuel Tank Cap
71	2	Fuel Tank Strap
72	4	Locknut
73	1	Fuel Level Sender
74	1	Gasket
75	5	Bolt
76	1	Hood
77	1	Decal "Fuel"
78	1	Grommet
79L	1	Radiator Cover, Left
79R	1	Radiator Cover, Right
80	1	Return Line Filter
81	1	Return Line Filter Element
82	1	Fitting
83	1	Fitting 90°
84	1	Diesel Return Tube
85	1	Gas Valve
86	1	Fitting
87	1	Fuel Line
88	1	Instrument Cowling

Item Number	No. Req'd	Description
89	2	Vent Louver
90	1	Decal "Lock Release" Front
91	1	Decal "N H L"
92	1	Trim Edge
93	-	Replacement Hazard Light Lens
94	1	Decal "Logo"
95	1	Wing Lock Bar
96	2	Wing Lock Pin
97	2	Wing Lock Spring
98	4	Bushing
99	2	Roll Pin
100	2	Wing Safety Lock Pin
101	1	Decal "Wing Lock" L
102	1	Decal "Wing Lock" R
103	1	Decal "Tank Valve"
104	1	Decal "Serial Number"
105	2	Decal "Vinyl Overlay"
106	2	Decal "Hydro-Power"
107	2	Decal "180"
108	2	Side Screen
109	4	Side Screen Retainer Spring
110	1	Rear Screen
111	2	Rear Screen Retainer Spring
112	1	SMV Emblem
113	1	Decal "ROPS Certification" (Not shown)
114	-	Weather Strip (Not shown)
115	1	Oil Cooler Return Tube
116	1	Diesel Return Hose
117	1	Fuel Hose
118	1	Engine Return Line (Not Shown)
119	1	Temp. Sender Unit
120	1	Temp. Safety Switch
121	1	Nipple
122	1	Fitting 90°
123	2	Hose Fitting
124	-	Filter Element Seal Ring

INSTRUMENT PANEL



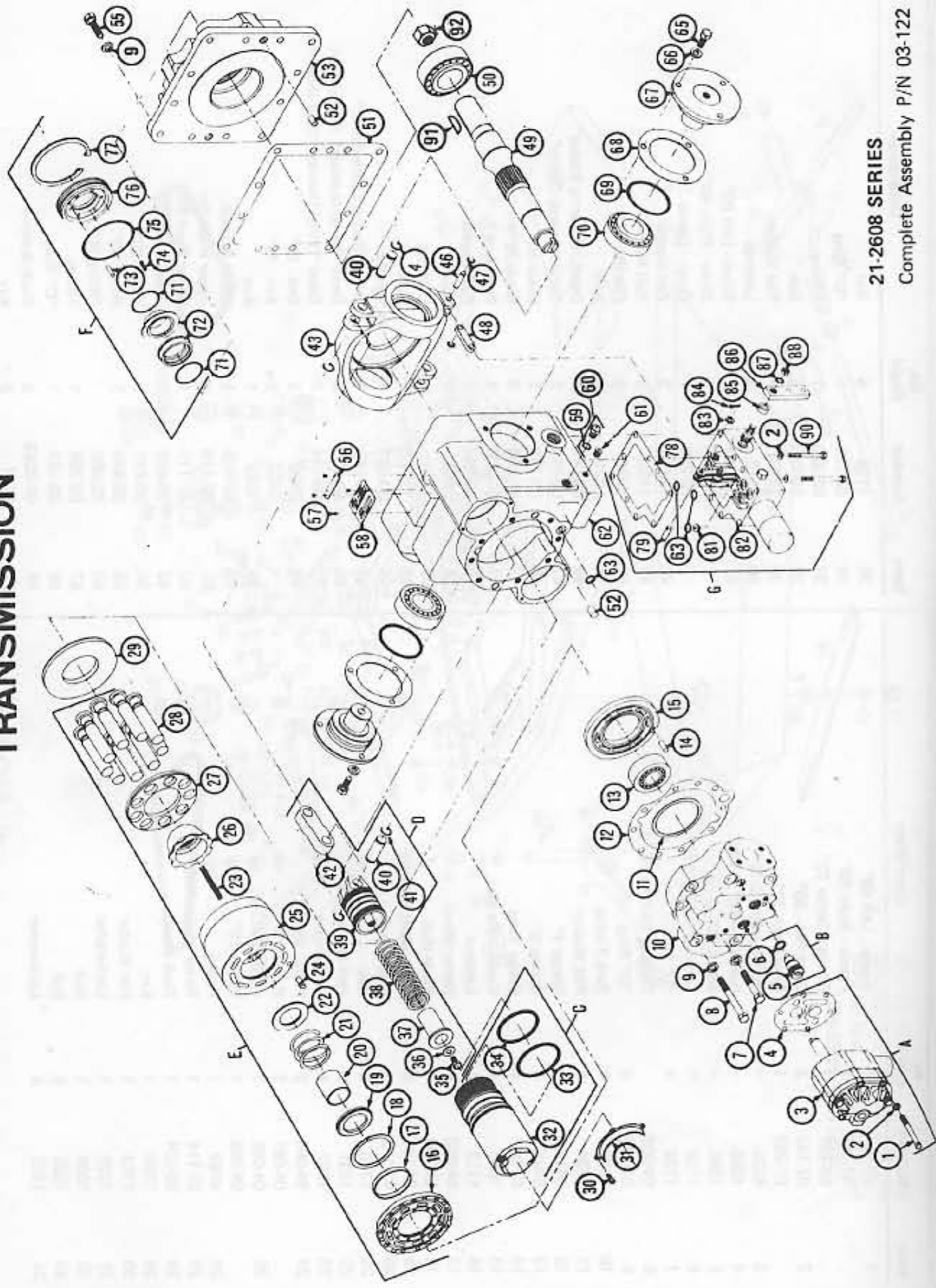
Item	Number	No. Req'd	Description	Item	Number	No. Req'd	Description
1	06-081A	1	Instrument Panel	26	02-027	2	Hex Nut
2	00-016	1	Decal "Headlights & Heater"	27	02-028	5	Instrument Light Socket
3	00-017	1	Decal "Hazard Lights & Wipers"	28	02-029	5	Instrument Light Bulb
4	00-014	1	Decal "Throttle"	34	02-030	4	Toggle Switch
5	00-018	1	Decal "Ignition Switch"	35	1101	4	Hex Nut
6	00-003	1	Decal "Speed Range"	36	02-031	1	Jumper Wire
7	02-050	1	Tachometer/Hourmeter	37	02-032	1	Jumper Wire
8	02-014	1	Tachometer Mounting Bracket	38	02-033	1	Jumper Wire
9	1751	2	Lockwasher	39	02-034	1	Jumper Wire
10	1752	2	Hex Nut	40	02-035	1	Jumper Wire
11	02-051	1	Oil Temperature Gauge	41	02-056	1	Instrument Panel Wiring Harness
12	02-052	1	Water Temperature Gauge	42	02-057	1	Chassis Wiring Harness
13	02-053	1	Ammeter	43	02-058	1	Lighting Wiring Harness
14	02-054	1	Fuel Gauge	44	02-041	1	ROPS Harness - Right
15	02-055	4	Gauge Mounting Bracket	45	02-049	1	ROPS Harness - Left
16	1751	8	Lockwasher	48	02-042	1	Jack Assembly - Wipers
17	1752	8	Hex Nut	49	02-045	1	Flasher Relay
18	02-020A	1	Ignition Switch	50	02-044	1	Jumper Wire
19	02-021	1	Lockwasher				
20	02-022	1	Hex Nut				
21	02-023	1	Ignition Key				
22	02-024	2	Indicator Light Socket				
23	02-025	2	Indicator Light Bulb				
24	02-025	2	Indicator Light Lens				



COMPLETE ASSEMBLY
 72" FRONT P/N 07-200
 60" RIGHT P/N 07-100
 60" LEFT P/N 07-112

Item	Number	No. Req'd	Description	Item	Number	No. Req'd	Description
1	07-101	1	Frame - Left 60"	35	1103	6	Nut
	07-102	1	Frame - Right 60"	36	03-225	1	"O" Ring
	07-201	1	Frame - Center 72"	37	03-370	1	Fitting
2	07-103	2	Grass Pan - 60"	38	1000	4	Bolt
	07-202	1	Grass Pan - 72"	39	1220	4	Flat Washer
3	4229	-	Roller 1-60", 2-72"	40	1112	3	Locknut
4	4260	-	Bushing 1-60", 2-72"	41	07-104	1	Cover - Left 60"
5	1080	-	Bolt 1-60", 2-72"		07-105	1	Cover - Right 60"
6	1102	-	Locknut 1-60", 2-72"		07-203	1	Cover - Center 72"
7	1732	4	"U" Nut	42	1222	3	Flat Washer
8	04-002	4	Bushing 10-60", 12-72"	43	1132	2	Roll Pin
9	03-171	8	"O" Ring	44	4198	4	Clip Pin
10	1500	6	Zerk Fitting	45	1021	19	Bolt
11	1734	8	Flat Washer	46	00-019	4	Decal "Rotating Blades"
12	07-000	8	Spacer 1"	47	00-022	2	Decal "Guards OSHA"
13	07-001	8	Spacer 1/2"	48	07-108	3	Blade 60"
14	07-002	4	Caster Yoke		07-204	3	Blade 72"
15	1068	4	Caster Axle Bolt	49	07-205	1	Push Arm R
16	1113	4	Locknut	50	07-206	1	Push Arm L
17	04-062	4	Caster Wheel	51	1069	2	Bolt
18	07-009	3	Blade Hub	52	1114	4	Locknut
19	04-105	6	Blade Shaft Bearing	53	1754	2	Bolt
20	07-113	3	Blade Shaft	54	07-207	1	Lift Bar
21	1310	3	Key	55	00-001	1	Decal "Spring Loaded Arm"
22	1731	6	Half Nut	56	00-023	1	Decal "Serial Number" (Not shown)
23	1207	6	Lockwasher	57	00-024	1	Decal "Vinyl Overlay" (Not shown)
24	04-064	2	Pulley 60"	58	3462	2	Belt - 60"
	04-067	2	Pulley 72"		3463	2	Belt - 72"
25	04-065	1	Pulley 60"	59	1049	1	Bolt
	04-068	1	Pulley 72"	60	07-109	1	Joiner Bracket
26	4163	1	Pulley	61	07-110	1	Upper Pivot Pin
27	07-114	1	Motor Mount Plate	62	07-111	1	Lower Pivot Pin
28	03-224	1	Deck Motor	63	03-646	2	Hose - Front 72"
29	1300	1	Key	64	03-647	2	Hose - 60"
30	1753	1	Flat Washer	65	03-648	2	Hose - 60"
31	1200	1	Lockwasher	66	03-080	2	Fitting 90°, 1-60"
32	1004	1	Bolt	67	03-369	1	Fitting
33	1032	6	Bolt	68	03-167	1	"O" Ring
34	1202	6	Lockwasher	69	07-006B	3	Blade Adaptor
				70	1317	3	Key

TRANSMISSION



21-2608 SERIES
Complete Assembly P/N 03-122

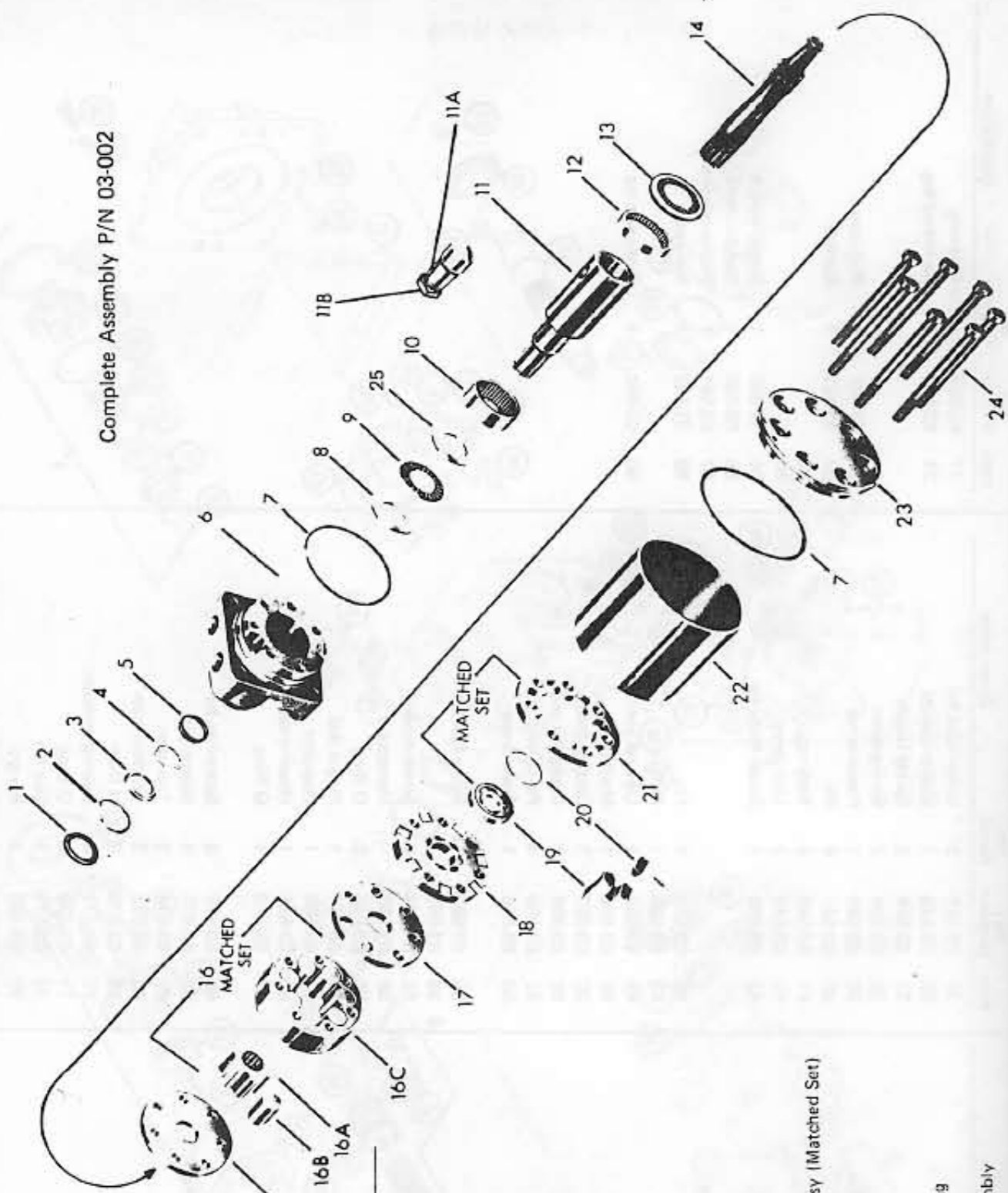
Item	Part Number	No. Req'd	Description
A	03-500	-	Kit-chg pmp
B	03-501	-	Valve-ck
C	03-502	-	Kit-serv sl
D	03-503	-	Piston-servo
E	03-504	-	Cylinder Block Kit
F	03-505	-	Kit-seal
G	03-506	-	Kit-cont va
1	03-507	6	Screw-hex hd
2	03-508	15	Washer-pin
3	03-509	1	Charge Pump
4	03-510	1	Gasket-chg pump
5	03-511	1	Valve-ck
6	03-512	1	O Ring
7	03-513	4	Screw-hex hd
8	03-514	4	Screw-hex hd
9	03-515	20	Washer-pin
10	03-516	1	End Cap-pump
11	03-517	1	Kit-shim
12	03-518	1	Gasket-end cap
13	03-519	1	Bearing-rear
14	03-520	1	Pin-st hdls
15	03-521	1	Plate-val rh
16	03-522	1	Plate-brg
17	03-523	1	Pilot-brg plt
18	03-524	1	Ring-retg
19	03-525	1	Retainer-spring
20	03-526	1	Guide-spring
21	03-527	1	Spring-cyl blk
22	03-528	1	Seat Spring
23	03-529	1	Spring Retainer
24	03-530	1	Pin
25	03-531	1	Cylinder Block Assy
26	03-532	1	Guide-slp ret
27	03-533	1	Retainer-slp
28	03-534	9	Piston
29	03-535	1	Plate-trus
30	03-536	8	Screw-torx
31	03-537	2	Retainer Sleeve
32	03-538	2	Sleeve-servo
33	03-540	2	O Ring
34	03-541	2	O Ring

Item	Part Number	No. Req'd	Description
35	03-542	2	Screw-12pt hd
36	03-543	2	Washer-special
37	03-544	2	Spring Guide
38	03-545	2	Spring-servo
39	03-546	2	Piston-servo
40	03-547	4	Pin
41	03-548	4	Ring-retg
42	03-549	2	Link-servo
43	03-550	1	Swash Plate-var
46	03-553	1	Pin
47	03-554	1	Ring-retg
48	03-555	1	Link-sw cont
49	03-556	1	Shaft-pmp
50	03-557	1	Bearing-front
51	03-558	1	Gasket-frt cov
52	03-559	4	Pin-st hdls
53	03-560	1	Cover-front
55	03-562	12	Screw-hex hd
56	03-563	-	Screw-drive
57	03-564	-	Nameplate
58	03-565	1	O Ring
59	03-566	1	Plug-st thd
60	03-567	1	Plug-pipe
61	03-568	1	Housing-var
62	03-569	1	O Ring
63	03-570	4	O Ring
65	03-572	6	Screw-hex hd
66	03-573	6	Washer-pin
67	03-574	2	Trunnion
68	03-575	2	Kit-trun shim
69	03-576	2	O Ring
70	03-577	2	Bearing-trunnion
71	03-578	2	O Ring
72	03-579	1	Seal Kit
73	03-580	1	Pin-grv
74	03-581	1	Spring Seal
75	03-582	1	O Ring
76	03-583	1	Retainer Seal

Item	Part Number	No. Req'd	Description
77	03-584	1	Ring-retg
78	03-585	1	Gasket-val hsg
81	03-587	1	Plug-cont v
82	03-588	1	Control
83			
84			
85	03-589	1	Spacer-cont h
86	03-590	1	Handle-cont s
87	03-591	1	Washer-toothik
88	03-592	1	Nut-hex
90	03-594	9	Screw-hex hd

DRIVE WHEEL MOTOR

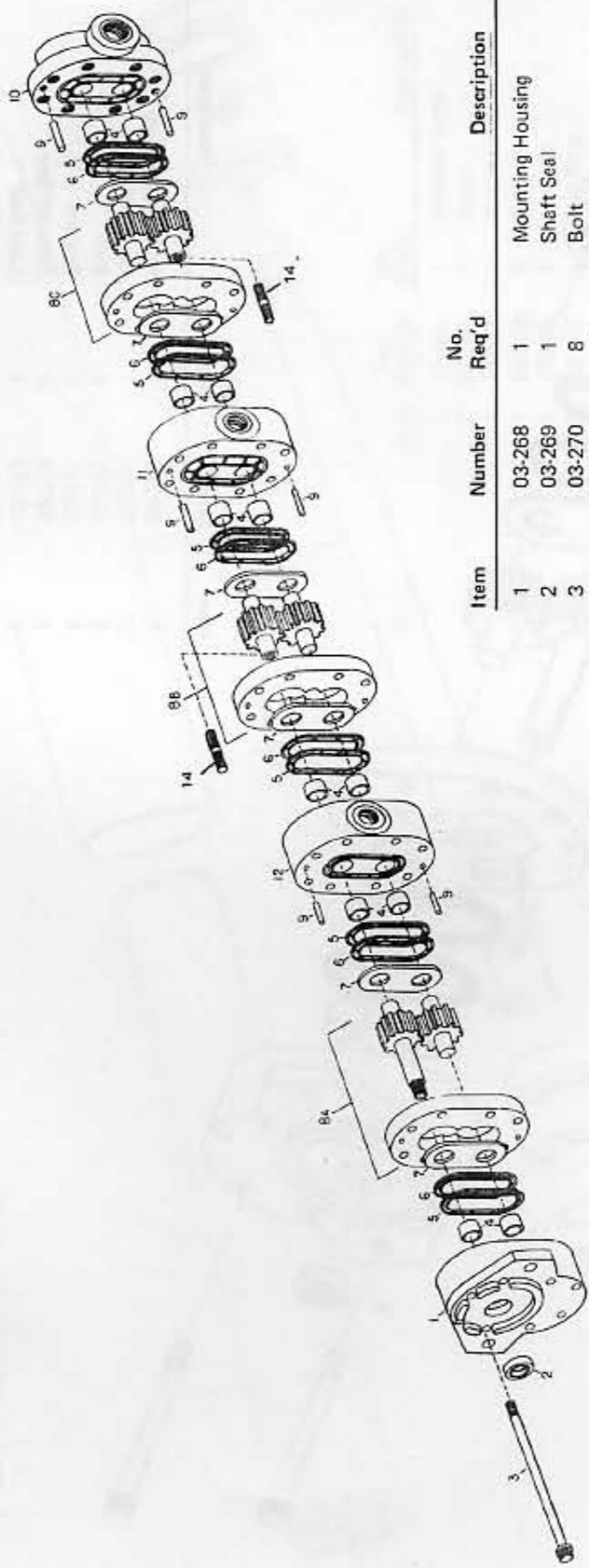
Complete Assembly P/N 03-002



Item	Part Number	No. Req'd	Description
1	03-300	1	Seal
2	03-301	1	Snap Ring
3	03-302	1	Back-up Washer
4	03-303	1	Washer
5	03-304	1	Seal
6	03-305	1	Housing
7	03-306	2	Seal Ring
8	03-307	2	Thrust Washer
9	03-308	1	Thrust Bearing
10	03-309	1	Bearing
11	03-310A	1	Output Shaft
11A	03-311	1	Key
11B	03-312	1	Nut
12	03-313	1	Bearing
13	03-314	1	Thrust Bearing
14	03-315	1	Drive Link
15	03-316	1	Wear Plate
16	03-317	1	Gear/Housing Assy (Matched Set)
17	03-318	1	Manifold Plate
18	03-319	1	Manifold
19	03-320	1	Commutator
20	03-321	1	Seal Ring
21	03-322	1	Commutator Ring
22	03-323	1	Sleeve
23	03-324	1	End Cover Assembly
24	03-325	7	Bolt
25	03-308A	1	Thrust Washer

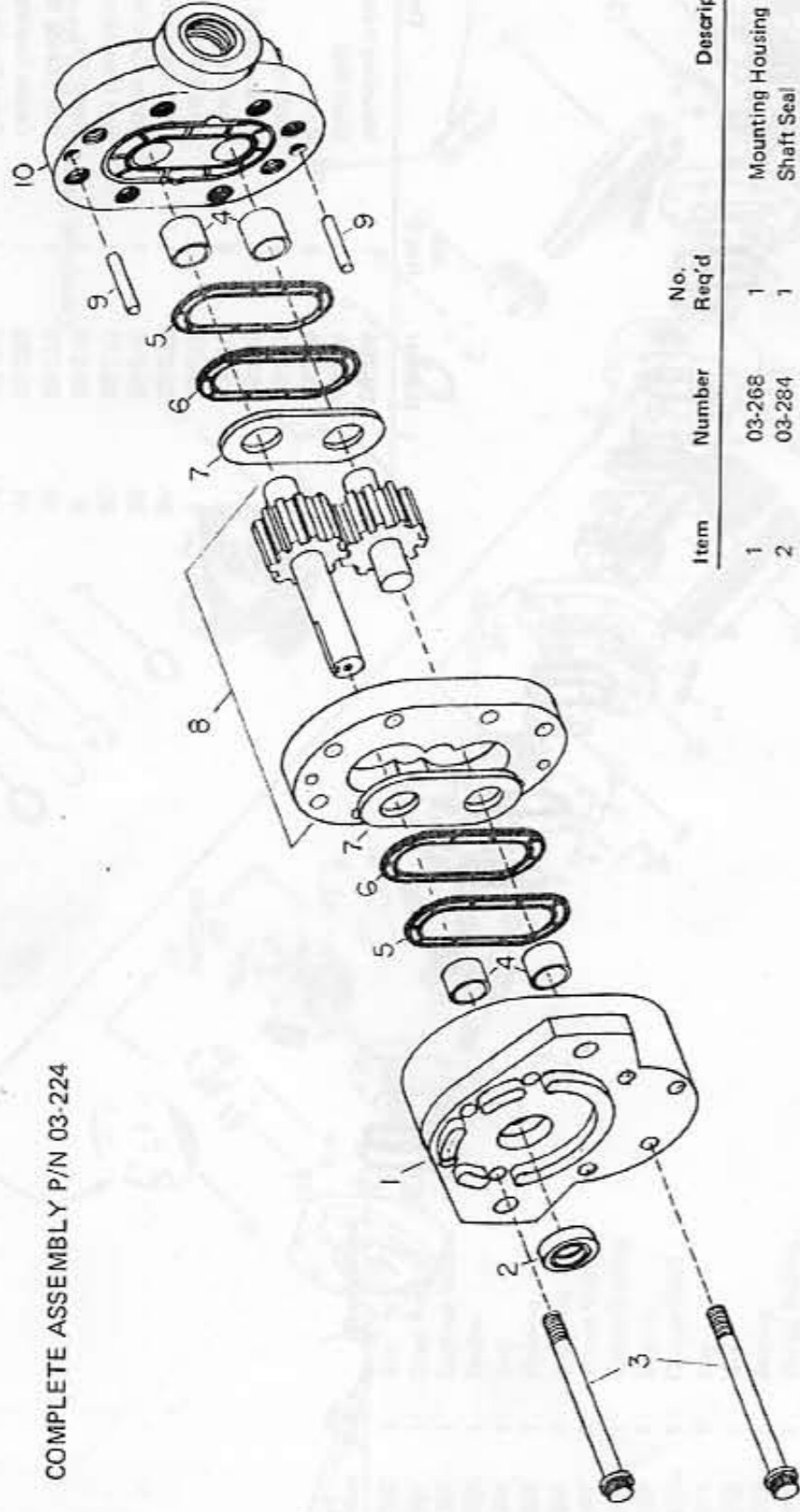
TRIPLEX PUMP

COMPLETE ASSEMBLY P/N 03-267



Item	Number	No. Req'd	Description
1	03-268	1	Mounting Housing
2	03-269	1	Shaft Seal
3	03-270	8	Bolt
4	03-271	12	Bushing
5	03-272	6	Pre-Load Seal
6	03-273	6	Load Seal
7	03-274	6	Wear Plate
8A	03-275	1	Drive Gear/Housing Set
8B	03-276	1	Center Gear/Housing Set
8C	03-277	1	End Gear/Housing Set
9	03-278	6	Dowel Pin
10	03-279	1	End Bearing Housing
11	03-280	1	Center Bearing Housing
12	03-281	1	Drive Bearing Housing
13	03-282	6	Seal Ring (Not shown)
14	03-283	2	Coupling

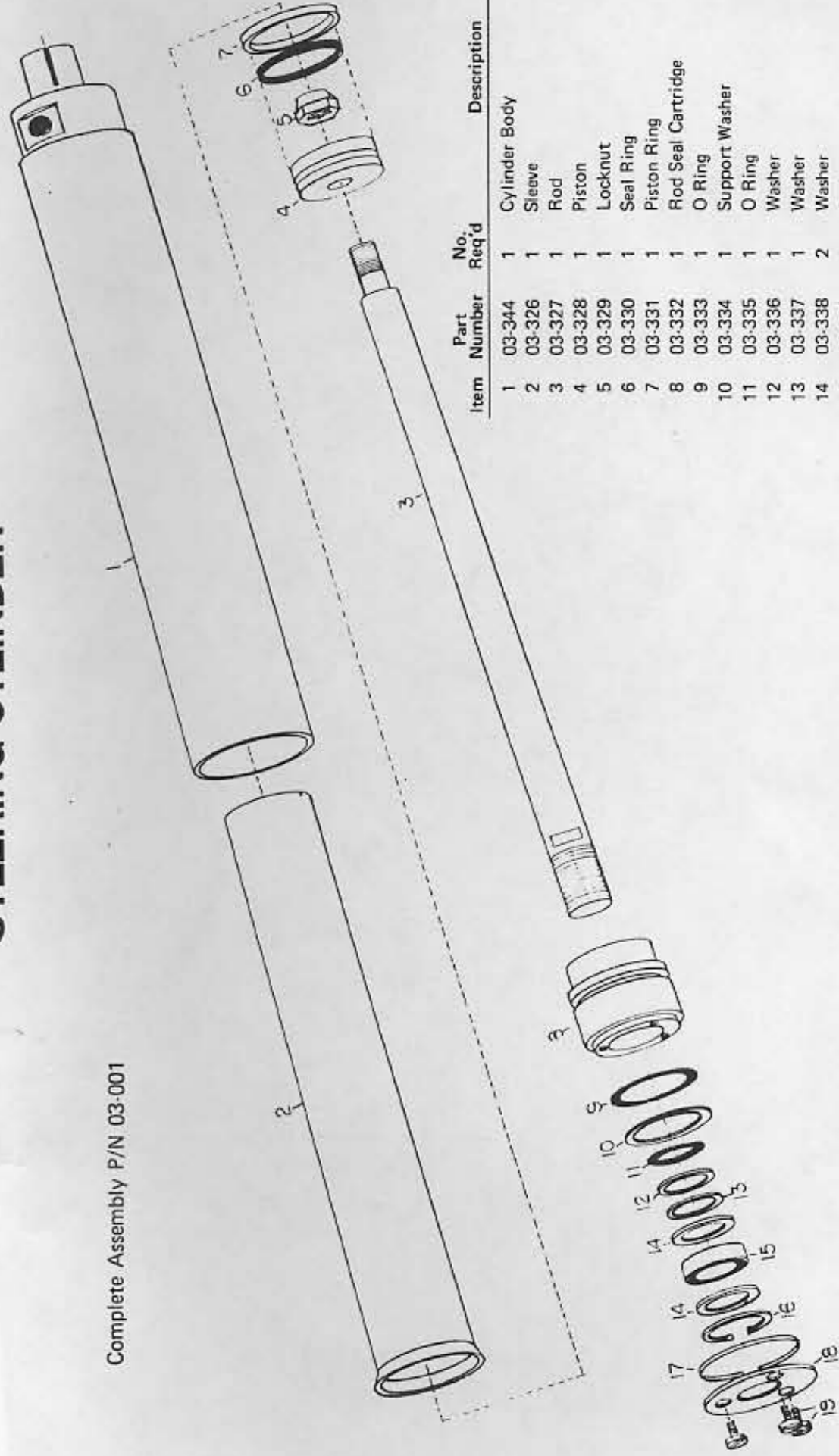
COMPLETE ASSEMBLY P/N 03-224



Item	Number	No. Req'd	Description
1	03-268	1	Mounting Housing
2	03-284	1	Shaft Seal
3	03-226	8	Bolt
4	03-271	4	Bushing
5	03-272	2	Pre-Load Seal
6	03-273	2	Load Seal
7	03-274	2	Wear Plate
8	03-227	1	Gear/Housing Set
9	03-278	2	Dowel Pin
10	03-279	1	End Bearing Housing
11	03-282	2	Seal Ring (Not shown)

STEERING CYLINDER

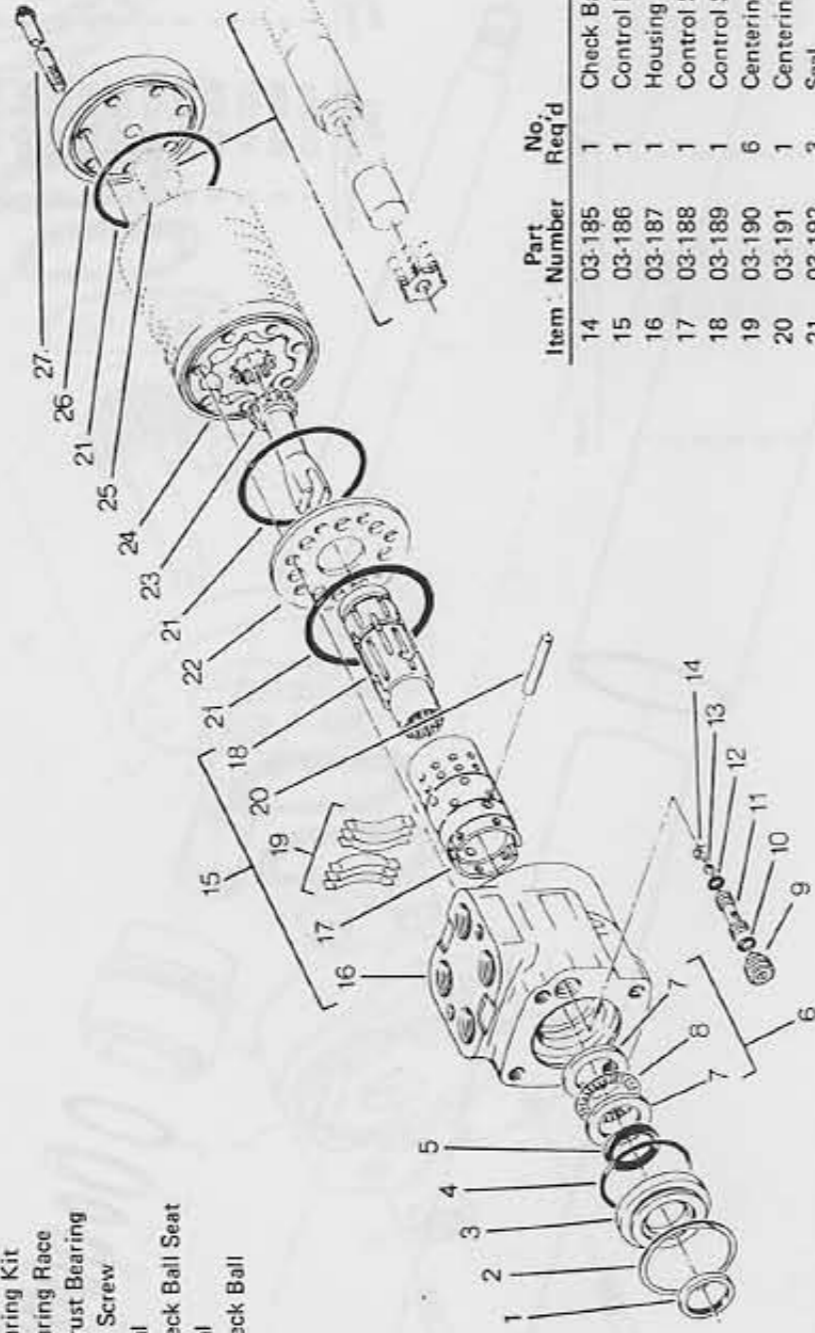
Complete Assembly P/N 03-001



Item	Part Number	No. Req'd	Description
1	03-344	1	Cylinder Body
2	03-326	1	Sleeve
3	03-327	1	Rod
4	03-328	1	Piston
5	03-329	1	Locknut
6	03-330	1	Seal Ring
7	03-331	1	Piston Ring
8	03-332	1	Rod Seal Cartridge
9	03-333	1	O Ring
10	03-334	1	Support Washer
11	03-335	1	O Ring
12	03-336	1	Washer
13	03-337	1	Washer
14	03-338	2	Washer
15	03-339	1	Seal
16	03-340	1	Retaining Ring
17	03-341	1	Retaining Ring
18	03-342	1	Cover Plate
19	03-343	3	Screw

STEERING VALVE ASSEMBLY

Item Number	Part Number	No. Req'd	Description
1	03-172	1	Seal
2	03-173	1	Retaining Ring
3	03-174	1	Seal Gland Bushing
4	03-175	1	Seal
5	03-176	1	Quad Ring Seal
6	03-177	1	Bearing Kit
7	03-178	2	Bearing Race
8	03-179	1	Thrust Bearing
9	03-180	1	Set Screw
10	03-181	1	Seal
11	03-182	1	Check Ball Seat
12	03-183	1	Seal
13	03-184	1	Check Ball

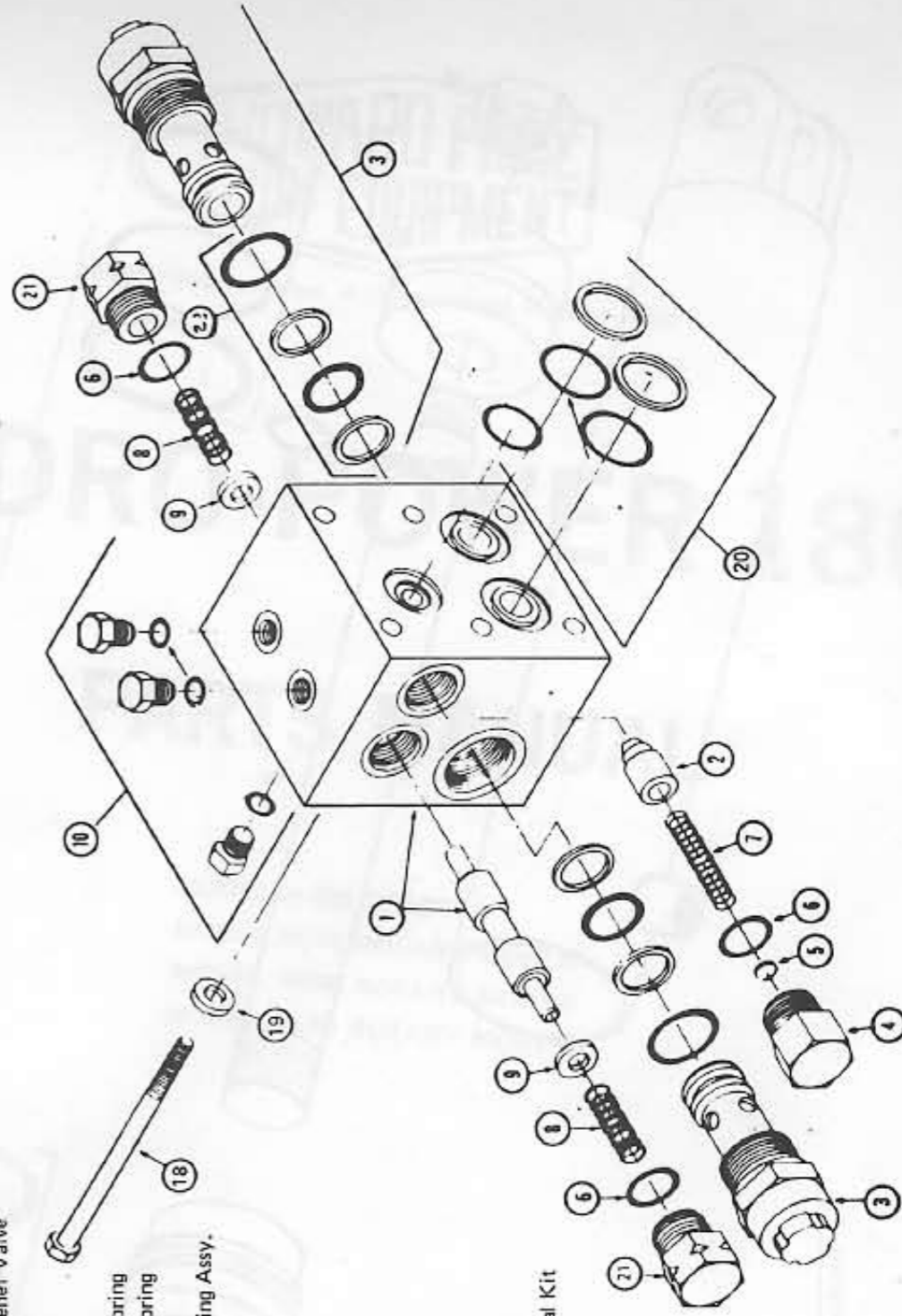


Item Number	Part Number	No. Req'd	Description
14	03-185	1	Check Ball Retainer
15	03-186	1	Control Parts Kit
16	03-187	1	Housing
17	03-188	1	Control Sleeve
18	03-189	1	Control Spool
19	03-190	6	Centering Spring
20	03-191	1	Centering Pin
21	03-192	3	Seal
22	03-193	1	Spacer Plate
23	03-194	1	Drive
24	03-195	1	Gerotor Set
25	03-196	1	Spacer
26	03-197	1	End Cap
27	03-198	7	Cap Screw
28	03-199	-	Seal Kit (includes 1, 4, 5, 10, 12, 21)

Complete Assembly P/N 03-030

DUAL CROSSOVER RELIEF VALVE ASSEMBLY

Item Number	Part Number	No. Req'd	Description
1	N/A	1	Housing Shuttle Assembly
2	03-669	1	Charge Relief Valve
3	03-670	2	High Pressure Relief Valve
4	03-671	1	Hex Plug
5	03-672	1	Shim
6	03-673	3	O Ring
7	03-674	1	Charge Relief Spring
8	03-675	2	Shuttle Valve Spring
9	03-676	2	Washer
10	03-677	3	Hex Plug + O Ring Assy.
11	use 03-677		
12	use 03-670		
13	use 03-670		
14	use 03-670		
15	use 03-680		
16	use 03-680		
17	use 03-680		
18	03-678	6	Screw
19	03-679	6	Washer
20	03-680	1	O Ring Kit
21	03-681	2	Hex Plug
22	03-682	2	Relief Valve Seal Kit



LIFT CYLINDER

00-223 6/81

26

Item Number	No. Req'd.	Description
1	—	Cylinder Body
2	—	Cylinder Rod
3	—	Piston
4	—	Rod Nut
5	—	Sleeve
6	—	Lockwire
7	—	Cap
8	—	Cap Screw
9	—	Seal Kit

