



18155 Edison Ave. • Chesterfield, Mo. 63017

# **TURF BLAZER II**

ROTARY MOWERS

## **PARTS BOOK**

### MODELS:

TB 317 TRACTOR

TB 321 TRACTOR

TB 422 TRACTOR

B-48" CUTTING UNIT

B-60" CUTTING UNIT

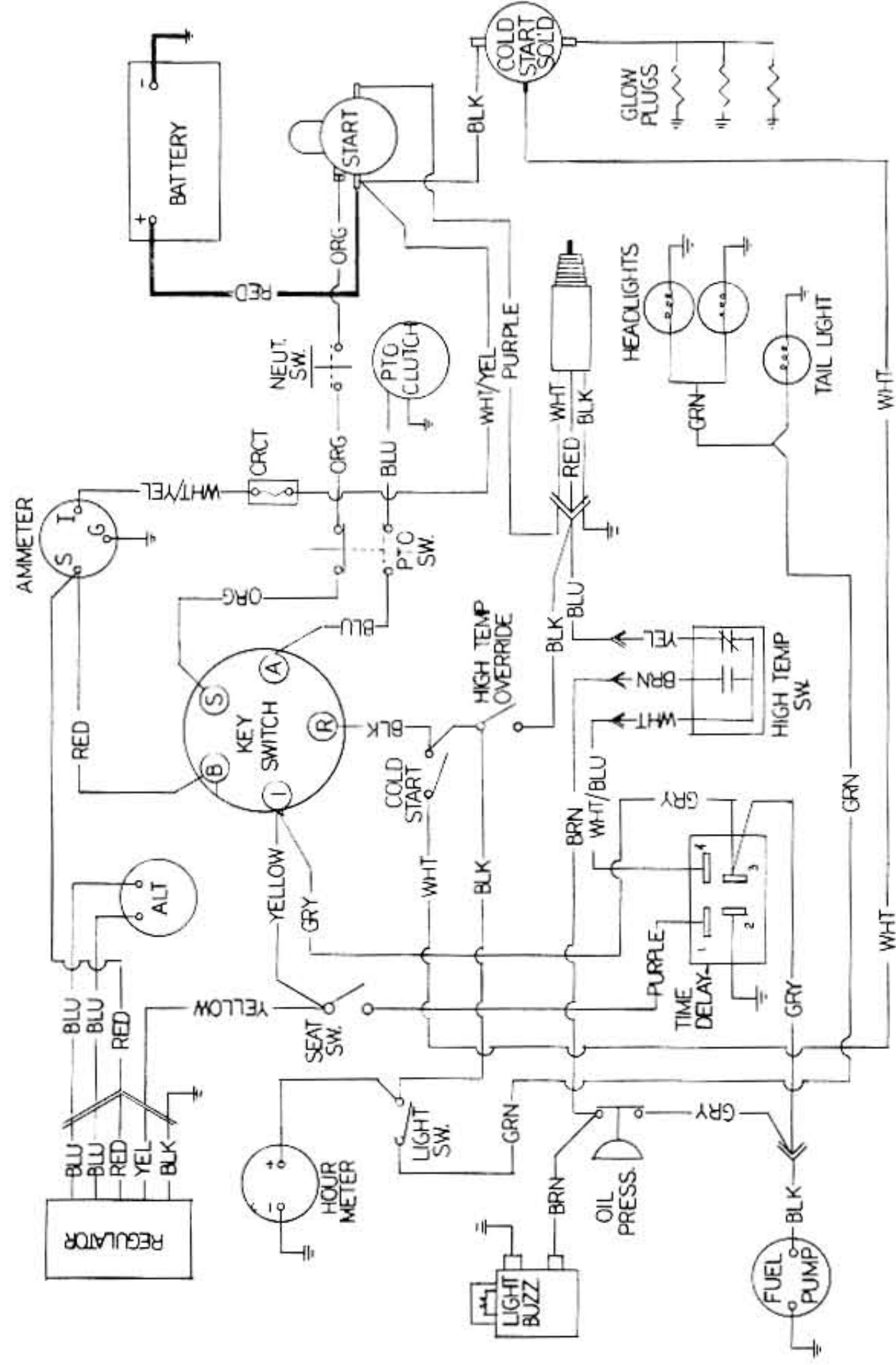
B-72" CUTTING UNIT

B-82" CUTTING UNIT

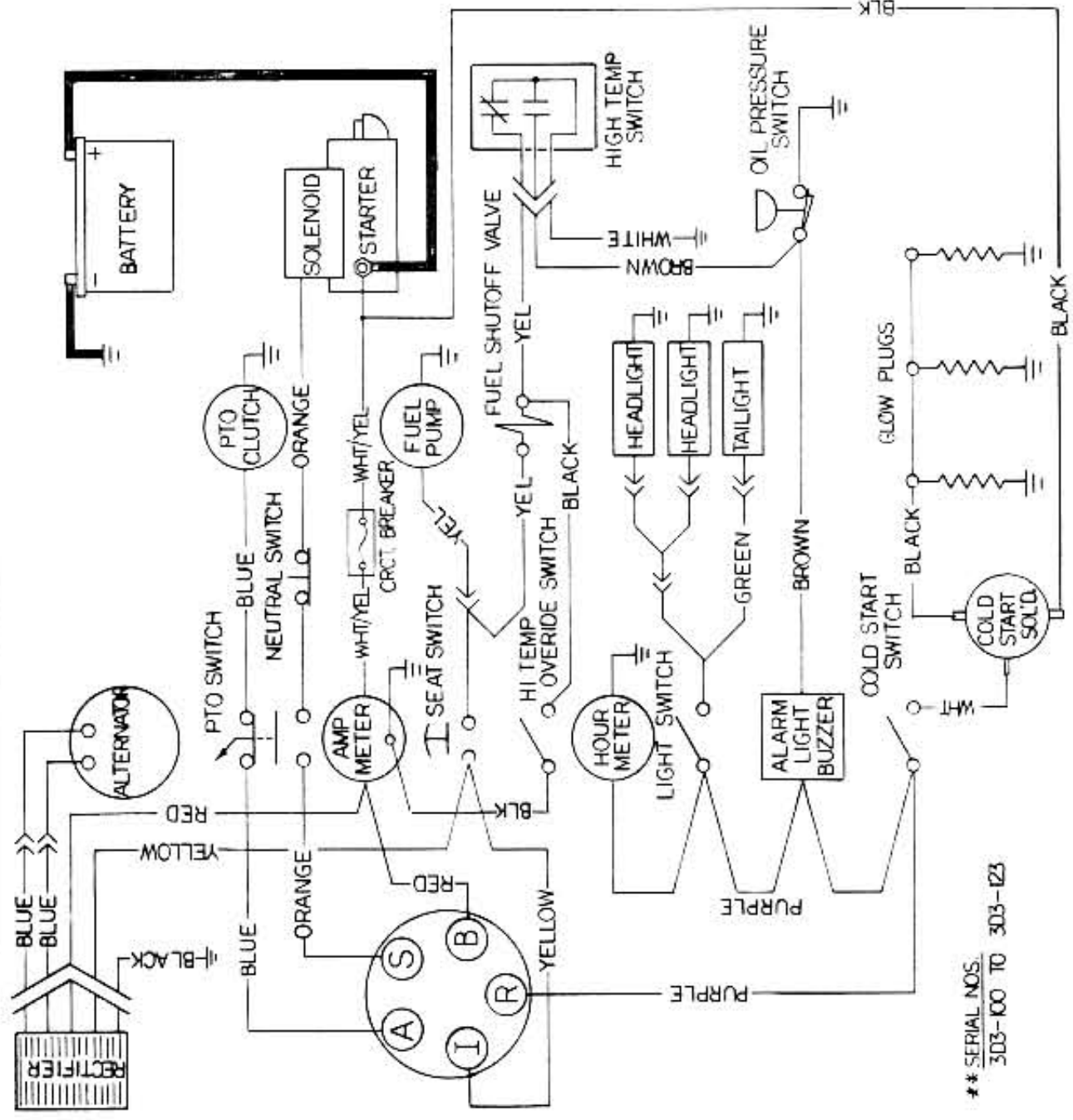
## INDEX

|  |        |
|--|--------|
| ELECTRICAL SCHEMATIC - TB 317 .....            | 1, 2   |
| ELECTRICAL SCHEMATIC - TB 321 .....            | 3      |
| ELECTRICAL SCHEMATIC - TB 422 .....            | 4, 5   |
| INSTRUMENT PANEL .....                         | 6, 7   |
| FRAME PARTS ASSEMBLY .....                     | 8, 9   |
| DRIVE TRAIN ASSEMBLY .....                     | 10, 11 |
| ENGINE ASSEMBLY .....                          | 12, 13 |
| FUEL SYSTEM/HYDRAULIC SYSTEM .....             | 14, 15 |
| BRAKE LINKAGE/LIFT CYLINDER ASSEMBLY .....     | 16, 17 |
| STEERING CABLE/COLUMN ASSEMBLY .....           | 18, 19 |
| STEERING YOKE ASSEMBLY - DUAL REAR WHEEL ..... | 20, 21 |
| STEERING YOKE ASSEMBLY .....                   | 22, 23 |
| RADIATOR COWLING ASSEMBLY .....                | 24, 25 |
| ACCESS COVER ASSEMBLY .....                    | 26, 27 |
| TRANSAXLE ASSEMBLY .....                       | 28, 29 |
| TRANSMISSION .....                             | 30, 31 |
| B48, B60, B72 CUTTING UNITS .....              | 32, 33 |
| B82 DECK .....                                 | 34, 35 |
| B82 WING UNIT .....                            | 36, 37 |
| GEARBOX ASSEMBLY (Model 214 175:1) .....       | 38, 39 |
| GEARBOX ASSEMBLY (Model 214 2:1) .....         | 40, 41 |
| CLUTCH ASSEMBLY .....                          | 42     |
| QUICK REFERENCE .....                          | 43     |

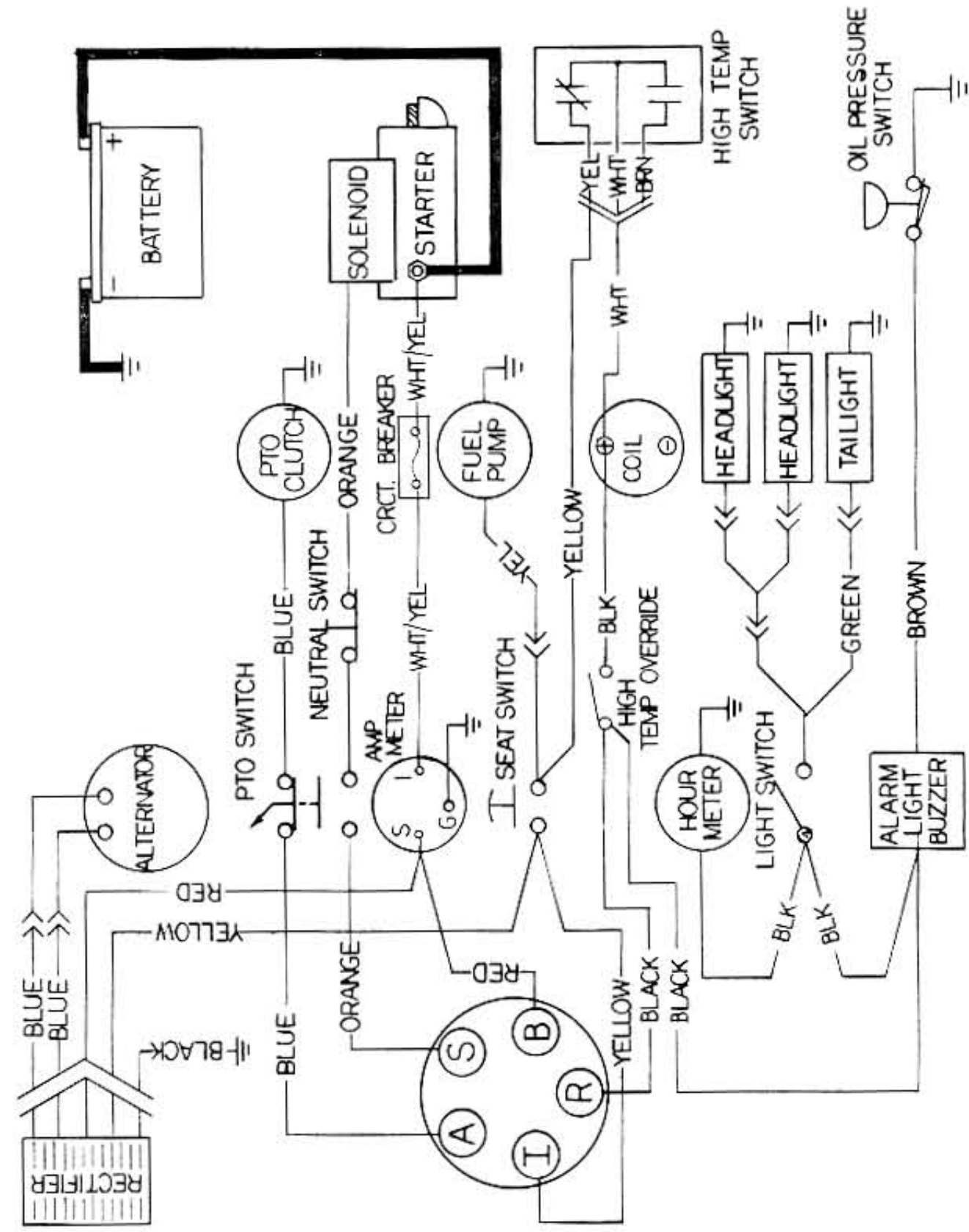
## ELECTRICAL SCHEMATIC - TB II 317

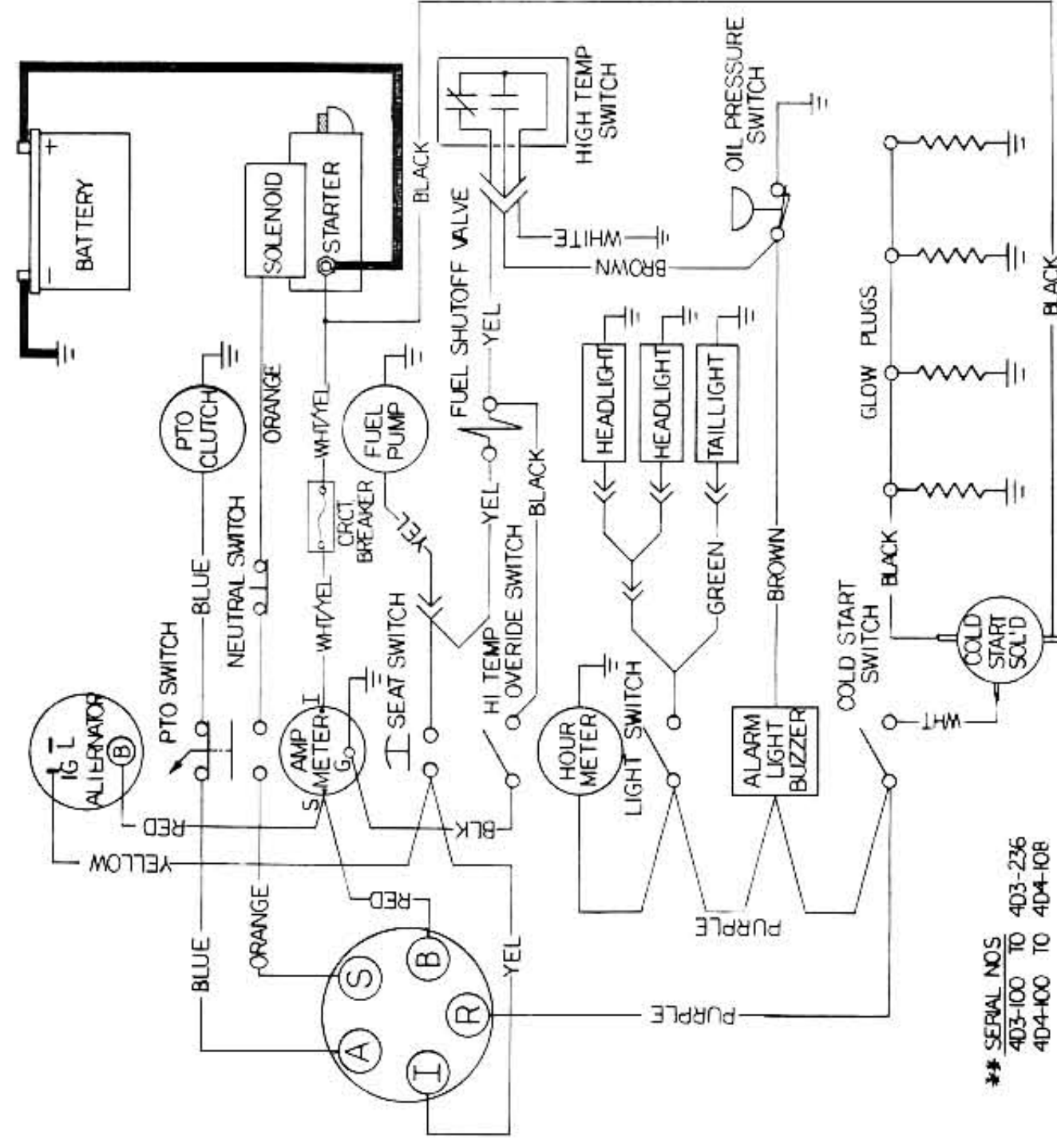
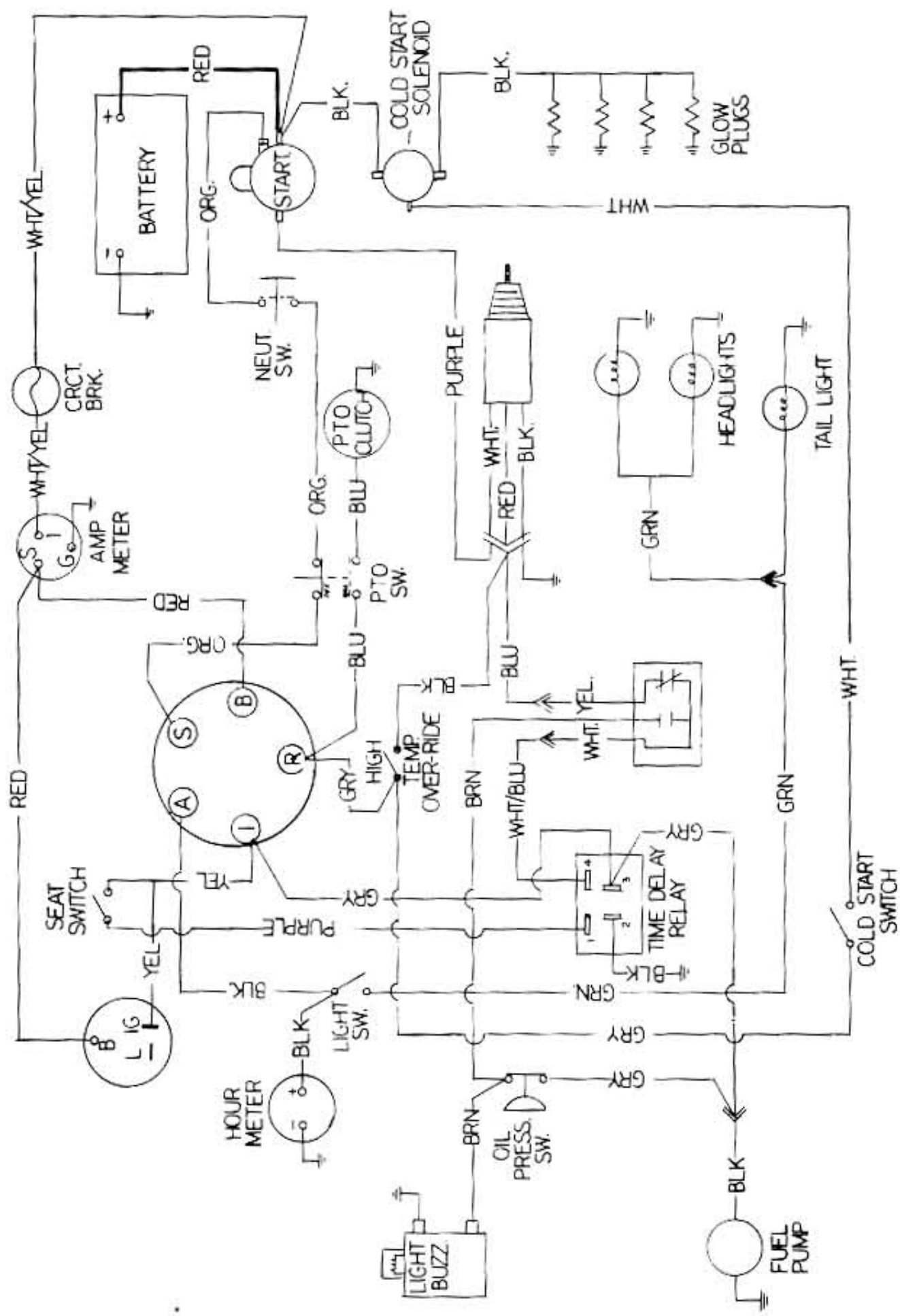


ELECTRICAL SCHEMATIC - MODEL TBI II 37 \*\*



ELECTRICAL SCHEMATIC - MODEL TBI II 32I

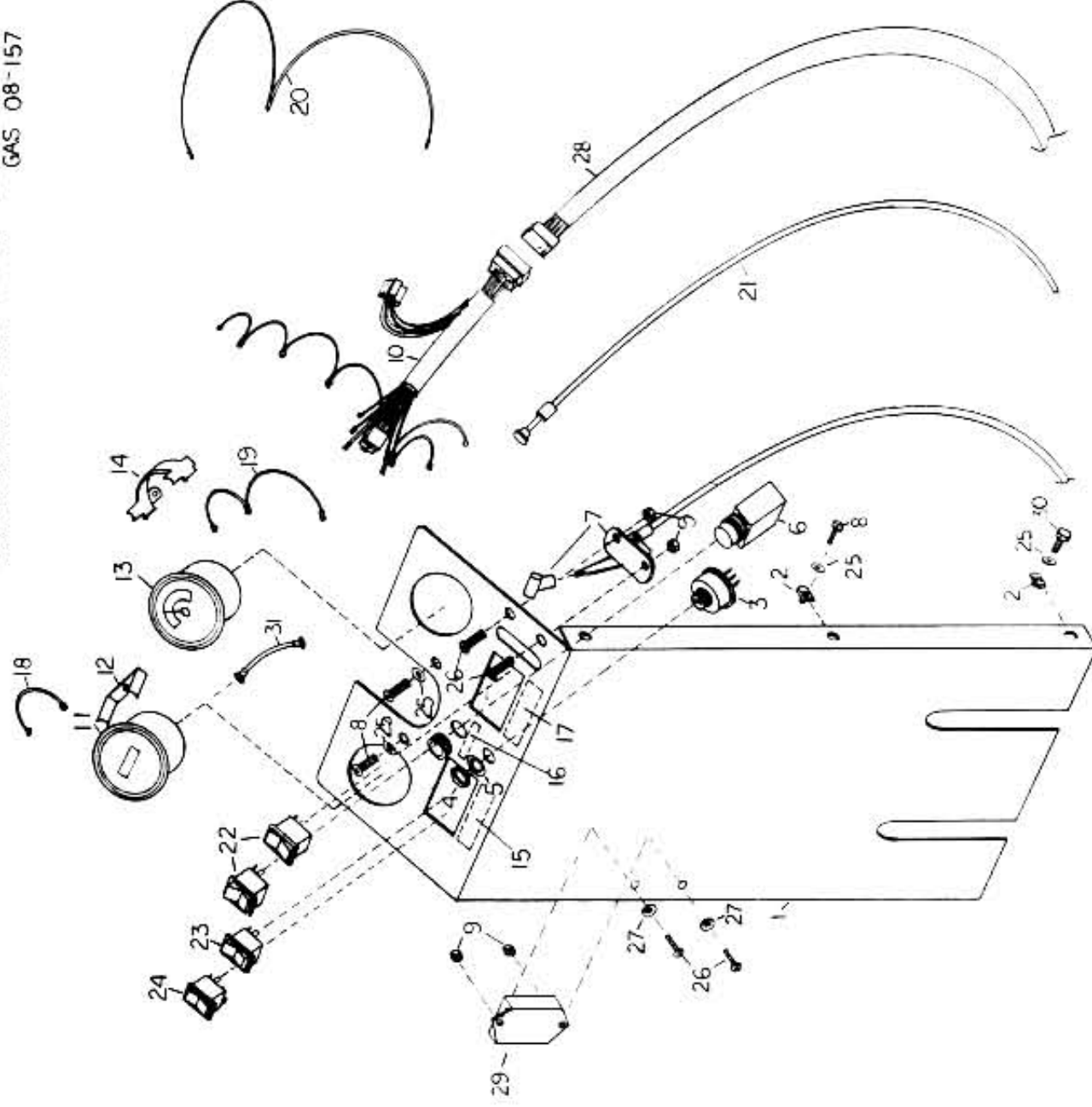




\*\* SERIAL NOS 403-100 TO 403-236 404-100 TO 404-108

# INSTRUMENT PANEL ASSY.

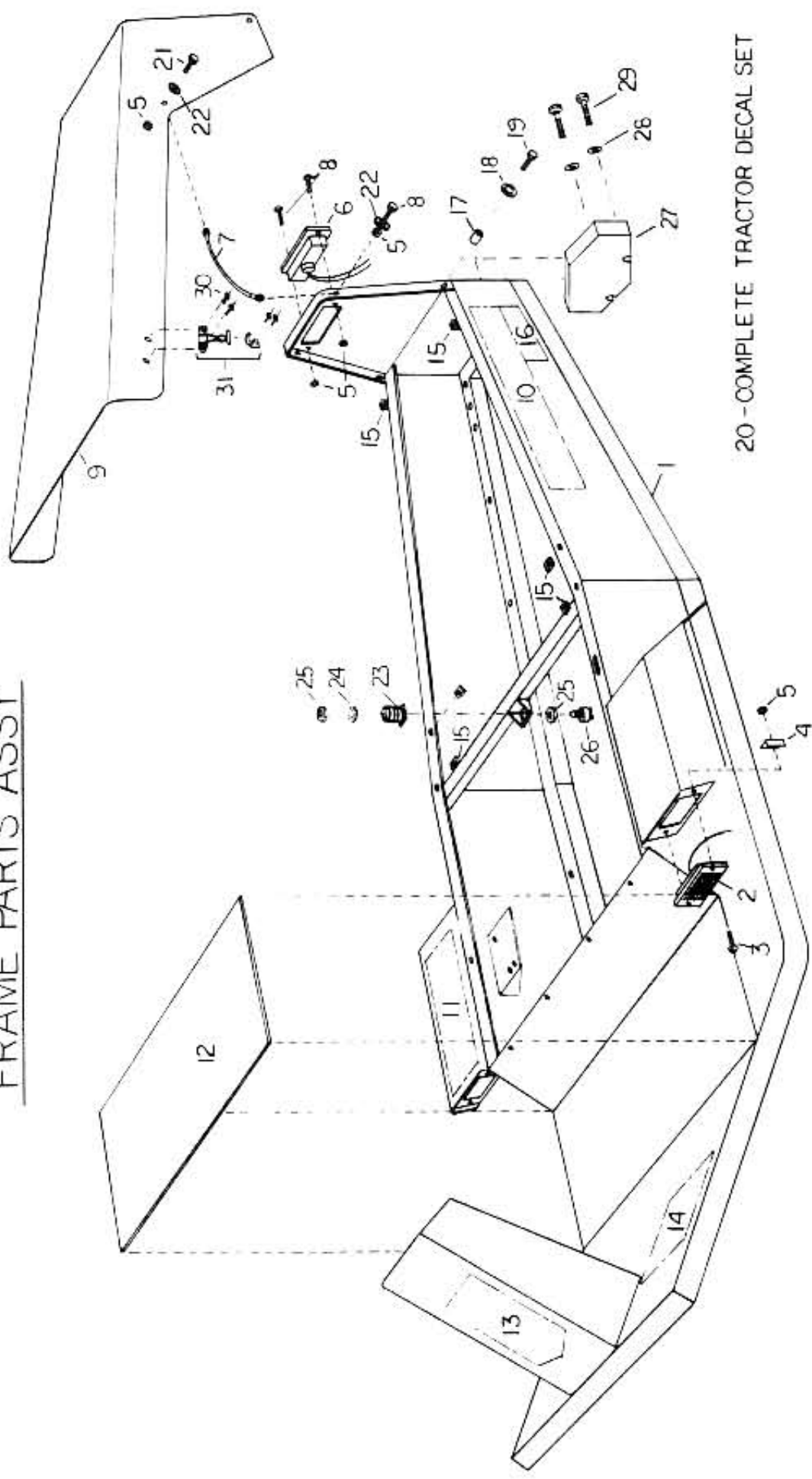
COMPLETE ASSY LESS WIRING - DIESEL 08-156  
GAS 08-157



| Item | Part No. | Qty.     | Description                          | Item      | Part No. | Qty.     | Description                         |
|------|----------|----------|--------------------------------------|-----------|----------|----------|-------------------------------------|
| 1    | 08-053   | 1        | Instrument Panel - Diesel            | 14        | 02-055   | 1        | Gauge Mt. Brkt. - Ammeter           |
| 2    | 08-054   | 1        | Instrument Panel - Gas               | 15        | 00-090-A | 1        | Decal - PTO/LIGHT                   |
| 3    | 1732     | 6        | "U" Nut - 1/4 - 20"                  | 16        | 00-104   | 1        | Decal - Water Temp., Oil Pres.      |
| 4    | 02-074-A | 1        | Ignition Switch                      | 17        | 00-105   | 1/Diesel | Decal - Cold Start, Temp. Override  |
| 5    | 1765     | 1        | Ig. Sw. Hex Nut 9/16" - 18           | 17        | 00-106   | 1/Gas    | Decal - Choke                       |
| 6    | 1764     | 1        | Starwasher - 9/16"                   | 18        | 02-181   | 1        | Hourmeter Ground Wire               |
| 7    | 02-171   | 1        | Buzzer/Light                         | 19        | 02-182   | 1        | Ammeter Ground Wire                 |
| 8    | 08-076   | 1/Diesel | Throttle Cable Assy.                 | 20        | 02-183   | 1        | Headlight Jumper Wire               |
| 9    | 08-223   | 1/321    | Throttle Cable Assy.                 | 21        | 08-222   | 1/321    | Choke Cable                         |
| 10   | 1748     | 7        | Phillips Hd. Cap Sw. 1/4 - 20 x 3/4" | 22        | 02-134   | 2/Diesel | Switch - Momentary Contact          |
| 11   | 1998     | 4        | 10-32 Ex. Lock Washer Nut            | 23        | 02-134   | 1        | Switch - Momentary Contact          |
| 12   | 02-214   | 1/422    | Instrument Panel Wire Harness        | 24        | 02-133   | 1        | Switch - Maintained Contact         |
| 13   | 02-227   | 1/317    | Instrument Panel Wire Harness        | 25        | 1056     | 8        | Switch - PTO                        |
| 14   | 02-233   | 1/321    | Instrument Panel Wire Harness        | 26        | 1781     | 4        | Flatwasher 1/4" SAE                 |
| 15   | 02-167   | 1/321    | Wiring Harness (1 Piece)             | 27        | 1409     | 2        | 10-32 x 3/4" Phillips Hd. Cap Screw |
| 16   | 02-165   | 1/422    | Serial No. 3G3-100 to 3G3-108        | 28        | 02-215   | 1/422    | Flatwasher 3/16"                    |
| 17   | 02-166   | 1/317    | Serial No. 3G4-100 to 3G4-105        | 29        | 02-228   | 1/317    | Chassis Wire Harness                |
| 18   | 5122     | 1        | Wiring Harness (w/o Time Delay)      | 30        | 02-234   | 1/321    | Chassis Wire Harness                |
| 19   | 02-179   | 1        | Serial No. 4D3-100 to 4D3-236        | 31        | 02-212   | 1/Diesel | Time Delay Relay Module             |
| 20   | 02-053   | 1        | Serial No. 4D4-100 to 4D4-108        | Not Shown | 1000     | 1        | Bolt 1/4" - 20 x 3/4"               |
| 21   | 02-053   | 1        | Wiring Harness (w/o Time Delay)      | Not Shown | 02-229   | 1        | Ground Strap - Inst. Panel to Frame |
| 22   | 02-053   | 1        | Serial No. 3D3-100 to 3D3-123        | Not Shown | 02-230   | 1        | Ground Strap - Engine to Frame      |
| 23   | 02-053   | 1        | Hourmeter                            |           |          |          |                                     |
| 24   | 02-053   | 1        | Gauge Mt. Brkt. - Hourmeter          |           |          |          |                                     |
| 25   | 02-053   | 1        | Ammeter                              |           |          |          |                                     |



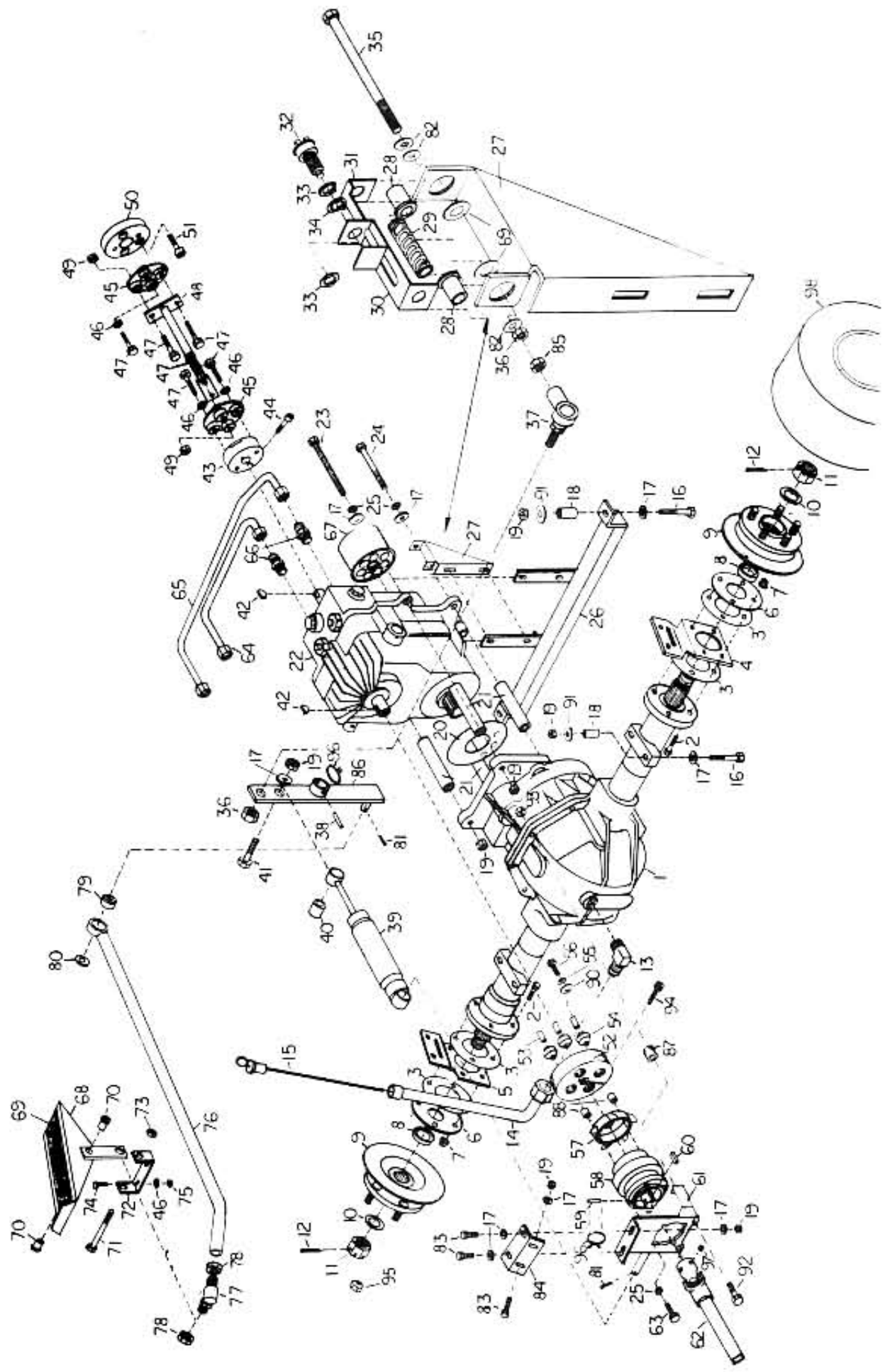
# FRAME PARTS ASSY



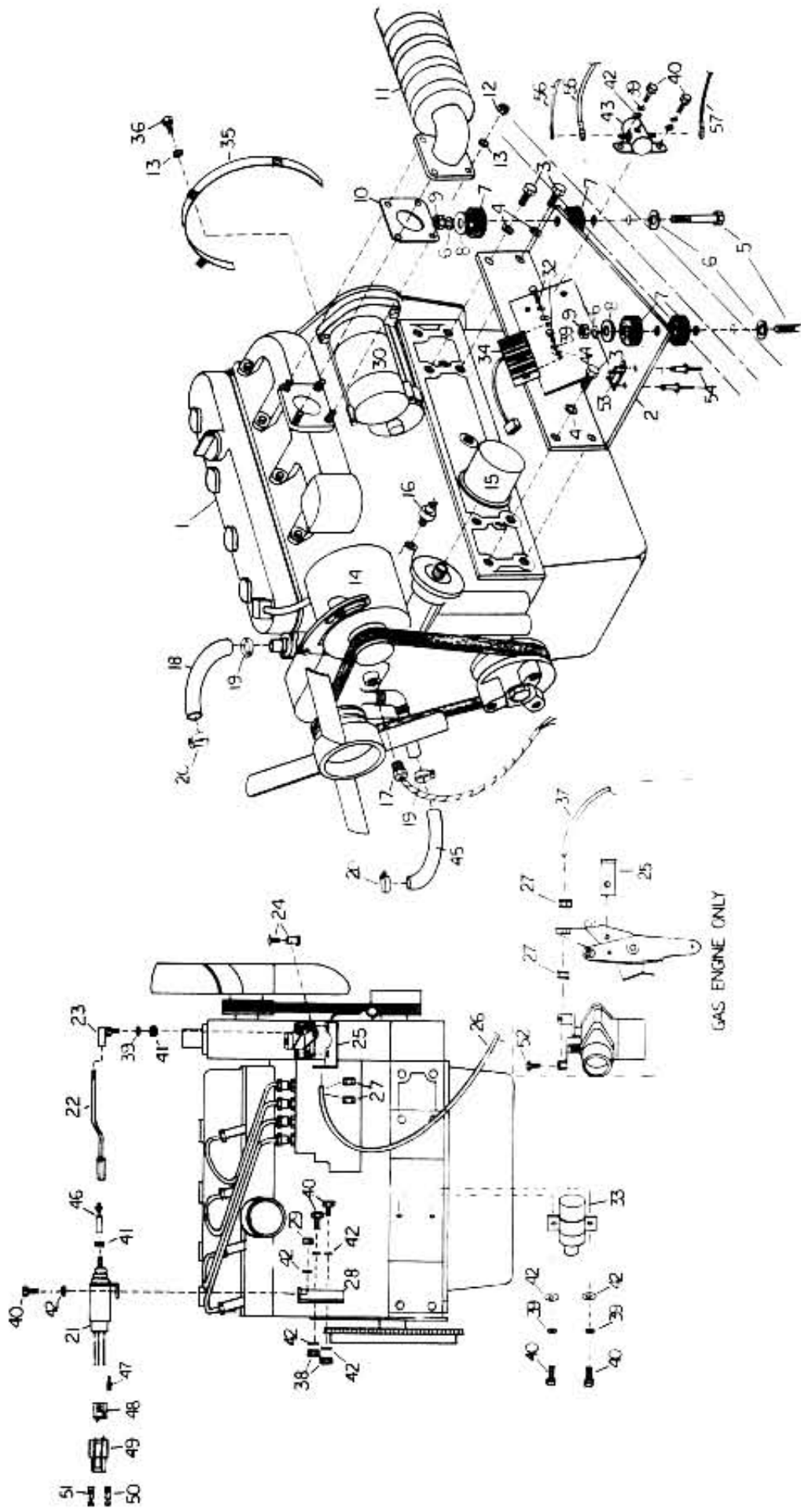
20-COMPLETE TRACTOR DECAL SET

| Item | Part No. | Qty. | Description                        | Item | Part No. | Qty. | Description                         |
|------|----------|------|------------------------------------|------|----------|------|-------------------------------------|
| 1    | 08-013   | 1    | Frame Assy.                        | 17   | 08-227   | 2    | Hood Pivot Bushing                  |
| 2    | 02-168   | 2    | Headlight Assy.                    | 18   | 1220     | 2    | Flatwasher - 1/4"                   |
| 3    | 1778     | 4    | Rd. Hd. Mach. Screw 10 - 32 x 1"   | 19   | 1003     | 2    | Bolt 1/4" - 20 x 1"                 |
| 4    | 08-051   | 4    | Headlight Clamp                    | 20   | 00-101   | -    | Decal Set 422 Tractor Only          |
| 5    | 1775     | 8    | Locknut - 10 - 32                  |      | 00-102   | -    | Decal Set 317 Tractor Only          |
| 6    | 02-169   | 1    | Taillight Assy.                    |      | 00-103   | -    | Decal Set 321 Tractor Only          |
| 7    | 08-111   | 2    | Hood Restraint Cable               | 21   | 1018     | 2    | 10-32 x 1/2" Rd. Hd. Machine Screw  |
| 8    | 1781     | 4    | 10-32 x 3/4" Rd. Hd. Machine Screw | 22   | 1887     | 4    | Flatwasher - # 10                   |
| 9    | 08-058   | 1    | Hood                               | 23   | 08-083   | 1    | Seat Switch Spring Assy.            |
| 10   | 00-035   | 2    | Decal "Turf Blazer"                | 24   | 1798     | 1    | 5/8" Internal Starwasher            |
| 11   | 00-094   | 1    | Decal - Instructions               | 25   | 1805     | 2    | 5/8" - 32 Hex Nut                   |
| 12   | 08-115   | 1    | Floor Mat                          | 26   | 5018     | 1    | Seat Switch                         |
| 13   | 00-091   | 1    | Decal - Logo 321                   | 27   | 08-177   | -    | Rear Weight                         |
|      | 00-092   | 1    | Decal - Logo 317                   | 28   | 1231     | 2    | Flatwasher 1/2" SAE                 |
|      | 00-093   | 1    | Decal - Logo 422                   | 29   | 1889     | 2    | Bolt 1/2" - 13 x 2-3/4" (1 Weight)  |
| 14   | 00-047   | 1    | Anti-Skid 6 x 6"                   |      | 1874     | 2    | Bolt 1/2" - 13 x 4-1/2" (2 Weights) |
| 15   | 1732     | 6    | "U" Nut 1/4" - 20                  | 30   | 1779     | 8    | Pop Rivet 1/8" x 1/4"               |
| 16   | 00-087   | 2    | Decal - 321                        | 31   | 05-084   | 2    | Hood Latch                          |
|      | 00-088   | 2    | Decal - 317                        |      |          |      |                                     |
|      | 00-089   | 2    | Decal - 422                        |      |          |      |                                     |

DRIVE TRAIN ASSY.



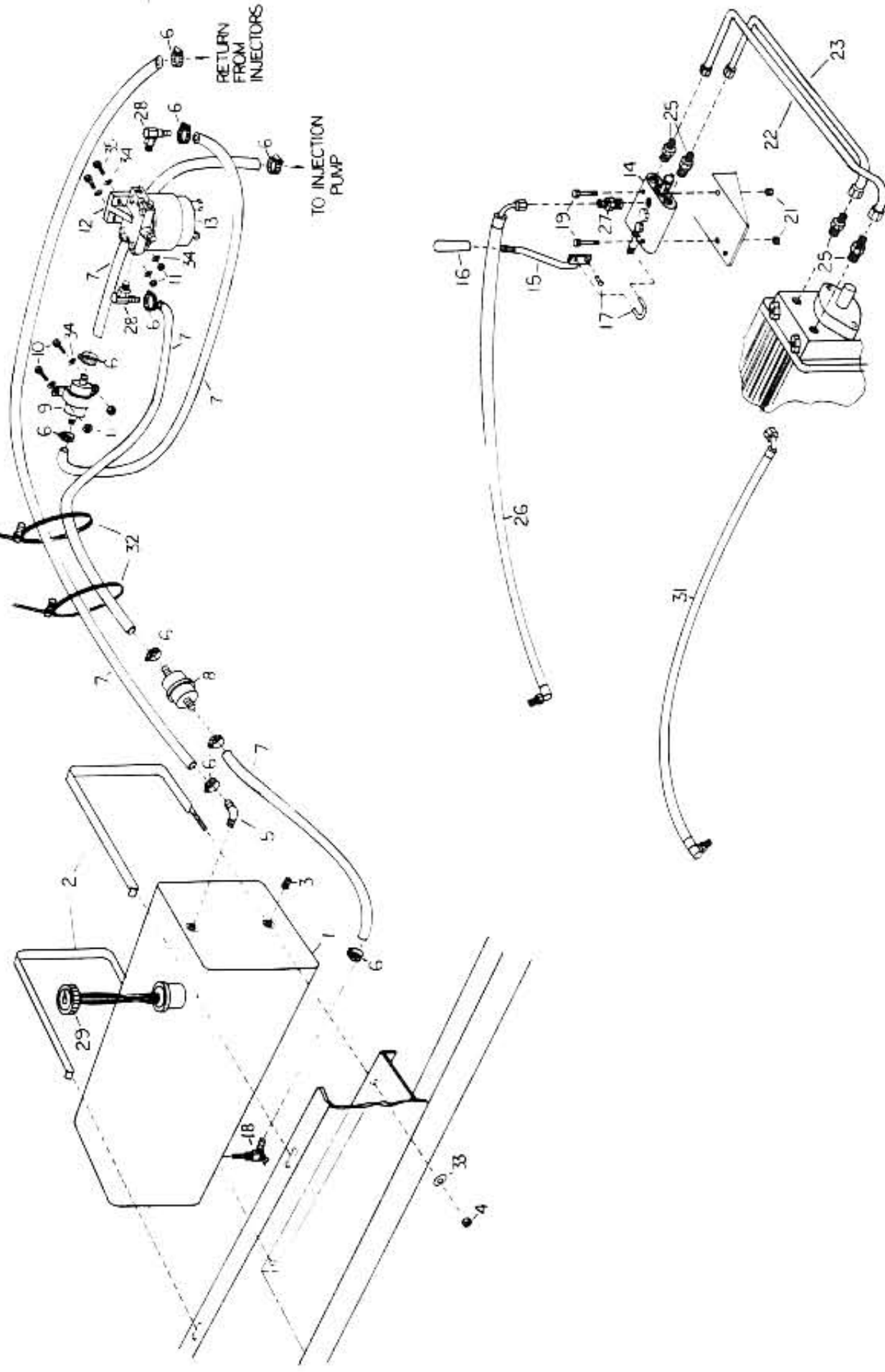
| Item | Part No. | Qty. | Description                      | Item | Part No. | Qty. | Description                           | Item | Part No. | Qty. | Description                     |
|------|----------|------|----------------------------------|------|----------|------|---------------------------------------|------|----------|------|---------------------------------|
| 1    | 08-069   | 1    | Transaxle Assembly               | 42   | 6602     | 2    | Woodruff Key - 3/16" x 3/4"           | 66   | 03-076   | 2    | Fitting 6400-6-6                |
| 2    | 6083     | 8    | Bolt - 5/16" - 24 x 1 1/4" Gr. 8 | 43   | 08-012   | 1    | Coupling Adaptor-Sundstrand           | 67   | 6033     | 1    | Filter Element - Transmission   |
| 3    | 6005     | 4    | Gasket                           | 44   | 1066     | 1    | Bolt 5/16 - 24 x 1-1/2 SHCS           | 68   | 08-035   | 1    | Trans. Pedal                    |
| 4    | 08-030   | 1    | Brake Mount Plate - Left         | 45   | 5005C    | 2    | Coupling Disc.                        | 69   | 00-048   | 1    | Anti-Skid 4" x 10"              |
| 5    | 08-128   | 1    | Brake Mount Plate - Right        | 46   | 1201     | 4    | Lockwasher 5/16"                      | 70   | 08-102   | 2    | Bushing                         |
| 6    | 6004     | 2    | Dust Seal                        | 47   | 1972     | 8    | Bolt 5/16 - 24 x 1-3/4"               | 71   | 1854     | 1    | Bolt - 3/8" - 16 x 5-1/4"       |
| 7    | 6084     | 8    | Locknut 5/16" - 24 Whiz Lock     | 48   | 08-061   | 1    | Drive Shaft - Kubota                  | 72   | 08-034   | 1    | Trans. Pedal Brkt.              |
| 8    | 6003     | 2    | Dust Seal Felt                   | 49   | 1115     | 4    | Locknut 5/16 - 24                     | 73   | 1112     | 1    | Locknut - 3/8" - 16"            |
| 9    | 08-033   | 2    | Drive Wheel Hub Assy.            | 50   | 08-009   | 1    | Coupling Adaptor - Kubota             | 74   | 1020     | 2    | Bolt 5/16" - 18 x 3/4"          |
| 10   | 6063     | 2    | Flatwasher 1" SAE - Hardened     | 51   | 1832     | 3    | Bolt 8mm x 25mm Gr. 12.9              | 75   | 1111     | 2    | Locknut - 5/16" - 18            |
| 11   | 6062     | 2    | 7/8" - 14 Slotted Nut            | 52   | 08-220   | 1    | Clutch Coupling                       | 76   | 08-036   | 1    | Trans. Linkage Rod              |
| 12   | 1609     | 2    | Cotter Pin 1/8 x 1-1/4"          | 53   | 08-221   | 4    | Clutch Coupling Sleeve                | 77   | 04-146   | 2    | Ball Joint 9/16" - 18 Dbl. Male |
| 13   | 03-417   | 1    | Fitting 2501 - 12 - 8            | 54   | 04-247   | 4    | Damper Bushing                        | 78   | 1108     | 2    | Jam Nut - 9/16" - 18            |
| 14   | 03-418   | 1    | Filler Tube                      | 55   | 1201     | 4    | Lockwasher - 5/16"                    | 79   | 04-247   | 1    | Damper Bushing                  |
| 15   | 05-191   | 1    | Dip Stick                        | 56   | 1890     | 4    | Bolt 5/16" - 24 x 2-1/2"              | 80   | 1223     | 1    | Flatwasher - 1/2"               |
| 16   | 1611     | 6    | Bolt 3/8" - 16 x 3"              | 57   | 08-101   | 1    | Fan                                   | 81   | 1609     | 2    | Cotter Pin 1/8" x 1-1/4"        |
| 17   | 1769     | 11   | Flatwasher - 3/8" SAE            | 58   | 08-105   | 1    | PTO Clutch                            | 82   | 1769     | 3    | Flatwasher - 3/8" SAE           |
| 18   | 08-014   | 6    | Frame Bolt Sleeve                | 59   | 1139     | 1    | Roll Pin 5/16" x 2"                   | 83   | 1957     | 4    | Bolt 3/8" - 16 x 1"             |
| 19   | 1112     | 14   | Locknut - 3/8" - 16              | 60   | 1602     | 1    | Key 1/4 x 1-1/4"                      | 84   | 08-169   | 1    | Clutch Plate Brkt.              |
| 20   | 6028     | 1    | Gasket                           | 61   | 08-044   | 1    | Clutch Mount Plate                    | 85   | 1849     | 1    | Jam Nut 3/8" - 24               |
| 21   | 6027     | 4    | Spacer                           | 62   | 08-130   | 1    | 48", 60", 72" "U" Joint Drive Shaft-F | 86   | 08-037   | 1    | Trans. Lever                    |
| 22   | 03-427   | 1    | Transmission                     |      |          |      |                                       | 87   | 08-154   | 2    | Clutch Plate Spacer             |
| 23   | 1892     | 2    | Bolt 3/8" - 16 x 6" Full Thd.    | 63   | 04-119A  | 1    | 82" "U" Joint Drive Shaft-F           | 88   | 08-229   | 2    | 1/2" I.D. x 5/8" O.D. x 7/16"   |
| 24   | 1854     | 2    | Bolt 3/8" - 16 x 5-1/4"          | 64   | 03-449   | 4    | Bolt 3/8" - 16 x 1" HHCS              | 89   | 1218     | 2    | Tube - Plastic                  |
| 25   | 1202     | 8    | Lockwasher - 3/8"                |      |          |      |                                       | 90   | 1220     | 4    | 5/8" Machine Bushing            |
| 26   | 08-015   | 1    | Trans. Support Bar               |      |          |      |                                       | 91   | 1222     | 6    | Flatwasher - 1/4"               |
| 27   | 08-038   | 1    | Spring Centering Brkt.           |      |          |      |                                       | 92   | 1025     | 2    | Flatwasher - 3/8"               |
| 28   | 08-102   | 2    | Centering Brkt. Bushing          |      |          |      |                                       | 93   | 1111     | 2    | Bolt 5/16" - 18 x 2"            |
| 29   | 08-103   | 1    | Centering Brkt. Spring           |      |          |      |                                       | 94   | 1891     | 1    | Locknut 5/16" - 18              |
| 30   | 08-039   | 1    | Neut. Switch Mt. Brkt.           |      |          |      |                                       | 95   | 04-142   | 10   | Bolt 5/16" - 24 x 1-1/4" SHCS   |
| 31   | 08-040   | 1    | Neut. Switch Oper. Tab           |      |          |      |                                       | 96   | 1845     | 6"   | Lugnut 7/16" - 75"              |
| 32   | 5018     | 1    | Neut. Safety Switch              |      |          |      |                                       | 97   | 2000     | 1    | Safety Wire                     |
| 33   | 1805     | 2    | Hex Nut 5/8" - 32                |      |          |      |                                       | 98   | 08-070   | 2    | 3/8" - 16 x 3/8" Nut Pt. SHSS   |
| 34   | 1798     | 2    | 5/8" Internal Starwasher         | 65   | 03-450   | 1    | Pressure Tube                         |      |          |      | Drive Wheel Assembly            |
| 35   | 1810     | 1    | Bolt 3/8" - 24 x 6-1/2"          |      |          |      |                                       |      |          |      | Drive Wheel                     |
| 36   | 1603     | 1    | ESNA Nut 3/8" - 24               |      |          |      |                                       |      |          |      | Drive Tire                      |
| 37   | 08-117   | 1    | Ball Joint                       |      |          |      |                                       |      |          |      | Repair Tube                     |
| 38   | 1131     | 1    | Roll Pin 1/4" x 1"               |      |          |      |                                       |      |          |      |                                 |
| 39   | 06-222   | 1    | Shock Absorber                   |      |          |      |                                       |      |          |      |                                 |
| 40   | 08-060   | 1    | Damper Bushing                   |      |          |      |                                       |      |          |      |                                 |
| 41   | 1033     | 1    | Bolt 3/8" - 16 x 1-1/2"          |      |          |      |                                       |      |          |      |                                 |



| Item | Part No. | Qty.     | Description                   | Item | Part No. | Qty.     | Description                   | Item | Part No.    | Qty.     | Description  |
|------|----------|----------|-------------------------------|------|----------|----------|-------------------------------|------|-------------|----------|--|
| 1    | 04-230   | -        | Engine - 3 Cyl. Kubota 17 Hp. | 21   | 02-218   | 1/Diesel | Shut-off Solenoid             | 33   | 15661-68900 | 1/321    | Ignition Coil  |
|      | 04-231   | -        | Engine - 4 Cyl. Kubota 22 Hp. | *    | 02-210   | 1/Diesel | Shut-off Solenoid             | 34   | 02-185      | 1/317    | Rectifier  |
|      | 04-244   | -        | Engine - 3 Cyl. Kubota 21 Hp. |      |          |          | Serial No. 3D3-124            | 35   | 08-059      | 1/321    | Rectifier  |
|      |          |          | Gas                           |      |          |          | Serial No. 3D4-100 to 3D4-103 | 36   | 1859        | 1        | Flywheel Guard                                       |
| 2    | 08-046   | 1        | Motor Mount Plate - Left      |      |          |          | Serial No. 4D3-237 to 4D3-241 | 37   | 08-222      | 1/321    | Bolt 8mm x 30mm                                      |
|      | 08-045   | 1        | Motor Mount Plate - Right     |      |          |          | Serial No. 4D4-109 to 4D4-124 | 38   | 1110        | 2        | Choke Cable  |
| 3    | 1838     | 8        | Bolt - 10mm x 20mm x 1.25     |      |          |          | Shut-off Solenoid             | 39   | 1200        | 6        | Locknut 1/4" - 20                                    |
| 4    | 1996     | 8        | Lockwasher - 10mm             |      |          |          | Serial No. 3D3-100 to 3D3-123 | 40   | 1000        | 6/Diesel | Lockwasher 1/4"                                      |
| 5    | 1045     | 4        | Bolt - 3/8" - 16 x 3-3/4"     |      |          |          | Serial No. 4D3-100 to 4D3-236 | 41   | 1856        | 2/Gas    | Bolt 1/4" - 20 x 3/4"                                |
| 6    | 1222     | 8        | Flatwasher - 3/8"             |      |          |          | Serial No. 4D4-100 to 4D4-108 | 42   | 1220        | 10       | Bolt 1/4" - 20 x 3/4"                                |
| 7    | 5214     | 8        | Rubber Motor Mount            | 22   | 08-282   | 1/317    | Linkage Rod                   | 43   | 02-194      | 1        | Hex Nut 1/4" - 28                                    |
| 8    | 1230     | 4        | Fenderwasher - 3/8"           | *    | 08-281   | 1/422    | Linkage Rod                   | 44   | 1056        | 2        | Flatwasher 1/4"                                      |
| 9    | 1112     | 4        | Locknut - 3/8" - 16           |      |          |          | Linkage Rod                   | 45   | 08-174      | 1        | Cold Start Solenoid                                  |
| 10   | 08-147   | 1        | Exhaust Gasket - Kubota       |      |          |          | Serial No. 3D3-100 to 3D3-124 | 46   | 06-174      | 1        | Flatwasher - 1/4" SAE                                |
| 11   | 08-148   | 1        | Muffler                       |      |          |          | Serial No. 3D4-100            | 47   | 06-097      | 1        | Radiator Hose - Lower                                |
| 12   | 1839     | 4        | Hex Nut - 8mm                 |      |          |          | Linkage Rod                   | 48   | 02-155      | 3/Diesel | Ball Joint - Swivel                                  |
| 13   | 1201     | 5        | Lockwasher - 5/16"            |      |          |          | Serial No. 4D3-100 to 4D3-239 | 49   | 02-223      | 1/Diesel | 1/4" Female Spade Terminal                           |
| 14   | 08-150   | -        | Alternator - 4 Cyl.           |      |          |          | Serial No. 4D4-100 to 4D4-108 | 50   | 02-224      | 2/Diesel | 3 Contact Connector - Male                           |
| 15   | 08-151   | -        | Alternator - 3 Cyl.           | 23   | 08-118   | 1/Diesel | Ball Joint                    | 51   | 02-226      | 1/Diesel | 3 Contact Connector - Female                         |
| 16   | 08-149   | 1        | Oil Filter                    | 24   | 08-120   | 1        | Wire Swivel Set               | 52   | 1997        | 1/321    | 1/4" Spade Terminal - 1 Wire                         |
| 17   | 02-216   | 1/Diesel | Oil Pressure Switch           | 25   | 08-048   | 1/Diesel | Throttle Cable Brkt.          | 53   | 02-201      | 1        | 1/4" Spade Terminal - 2 Wire                         |
|      | 02-138   | 1/321    | Oil Pressure Switch           | *    | 08-285   | 1/321    | Throttle Cable Brkt.          | 54   | 1718        | 2        | 4mm x 8mm HHCS                                       |
|      | 02-138   | 1/Diesel | Oil Pressure Switch           | 26   | 08-076   | 1/Diesel | Throttle Cable                | 55   | 02-231      | 1/Diesel | Circuit Breaker - 40 amp                             |
|      |          |          | Serial No. 4D3-100 to 4D3-236 | *    | 08-223   | 1/321    | Throttle Cable                | 56   | 02-203      | 1        | Pop Rivet 3/16" dia x 5/8"                           |
|      |          |          | Serial No. 4D4-100 to 4D4-108 | 27   | 08-119   | 2/Diesel | Conduit Nut - 3/16"           | 57   | 02-232      | 1/Diesel | Jumper Wire (Cold Start Solenoid) To Starter Breaker |
|      |          |          | Serial No. 3D3-100 to 3D3-123 | 28   | 08-047   | 1/Diesel | Conduit Nut - 3/16"           |      |             |          | Wire Assy. Sold. To Circuit Breaker                  |
|      |          |          | High Temp. Safety Switch      | 29   | 1110     | 2/Diesel | Shut-off Solenoid Brkt.       |      |             |          | Wire Assy. (Cold Start Solenoid) To Glow Plug        |
|      |          |          | High Temp. Safety Switch      | 30   | 08-152   | -        | Locknut 1/4" - 20             |      |             |          |  |
|      |          |          | High Temp. Safety Switch      |      | 08-153   | -        | Starter - 4 Cyl. Kubota       |      |             |          |  |
|      |          |          | High Temp. Safety Switch      | 32   | 1004     | 2/317    | Starter - 3 Cyl. Kubota       |      |             |          |  |
|      |          |          | High Temp. Safety Switch      |      |          | 2/321    | Bolt 1/4" - 20 x 1-1/4"       |      |             |          |  |
|      |          |          | Serial No. 3D3-100 to 3D3-123 |      |          |          | Bolt 1/4" - 20 x 1-1/4"       |      |             |          |  |
|      |          |          | Serial No. 4D3-100 to 4D3-236 |      |          |          |                               |      |             |          |  |
|      |          |          | Serial No. 4D4-100 to 4D4-108 |      |          |          |                               |      |             |          |  |
| 18   | 08-094   | 1        | Radiator Hose - Upper         |      |          |          |                               |      |             |          |  |
| 19   | 04-241   | 2        | Hose Clamp - 1-1/4"           |      |          |          |                               |      |             |          |  |
| 20   | 04-241   | 2/422    | Hose Clamp 1-1/4" #12         |      |          |          |                               |      |             |          |  |
|      | 05-120   | 2/317    | Hose Clamp 1-1/2"             |      |          |          |                               |      |             |          |  |
|      |          | 2/321    | Hose Clamp 1-1/2"             |      |          |          |                               |      |             |          |  |

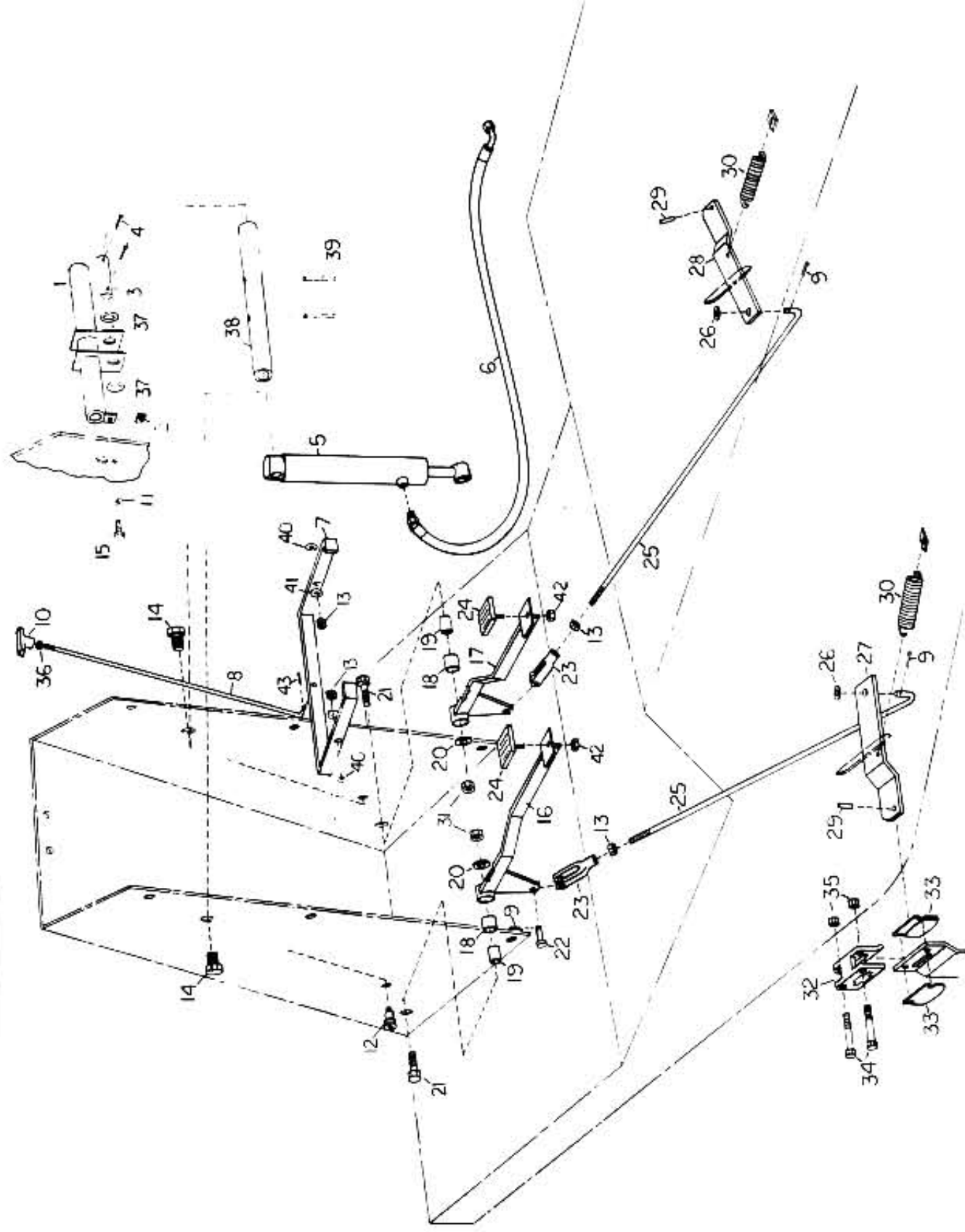


## FUEL SYSTEM / HYDRAULIC SYSTEM



| Item | Part No. | Qty.     | Description                   | Item | Part No. | Qty.          | Description                   |
|------|----------|----------|-------------------------------|------|----------|---------------|-------------------------------|
| 1    | 08-001   | 1        | Fuel Tank                     | 21   | 1110     | 2             | Locknut 1/4" - 20             |
| 2    | 08-000   | 2        | Fuel Tank Strap               | 22   | 03-450A  | 1             | Pressure Tube                 |
| 3    | 1841     | 1        | Pipe Plug - 1/4"              | *    | 03-450   | 1             | Pressure Tube                 |
| 4    | 1112     | 2        | Locknut - 3/8" - 16           |      |          |               | Serial No. 3D3-100 to 3D3-108 |
| 5    | 03-247   | 2        | Fitting - 90° Brass           |      |          |               | Serial No. 4D3-100 to 4D3-145 |
| 6    | 04-082   | 10       | Hose Clamp - 1/2"             |      |          |               | Serial No. 3G3-100            |
| 7    | 03-705   | 10       | Hose - 1/2"                   | 23   | 03-449A  | 1             | Return Tube                   |
| 8    | 08-093   | 1        | Fuel Filter                   | *    | 03-449   | 1             | Return Tube                   |
| 9    | 08-092   | 1        | Fuel Pump                     |      |          |               | Serial No. 3D3-100 to 3D3-108 |
| 10   | 1000     | 2        | Bolt 1/4" - 20 x 3/4"         |      |          |               | Serial No. 4D3-100 to 4D3-145 |
| 11   | 1110     | 4        | Locknut - 1/4" - 20           |      |          |               | Serial No. 3G3-100            |
| 12   | 03-492   | 1/Diesel | Fuel/Water Separator Assembly | 25   | 03-076   | 4             | Fitting 6400 - 6              |
| *    | 03-286   | 1/Diesel | Fuel/Water Separator Assembly | 26   | 03-456   | 1             | Deck Lift Hose                |
|      |          |          | Serial No. 3D3-100 to 3D3-108 | 27   | 03-076   | 1-48"/60"/72" | Fitting 6400 - 6              |
|      |          |          | Serial No. 4D3-100 to 4D3-145 |      |          | 1-82"         | Fitting 6803 - 6 - 6 - 6      |
| 13   | 03-493   | -        | Water Separator Element Only  | 28   | 03-455   | 2/Diesel      | Fitting 4 - 6MB x 90          |
| *    | 03-287   | -        | Water Separator Element Only  | *    | 03-498   | 2/Diesel      | Fitting - 90° Brass           |
|      |          |          | Serial No. 3D3-100 to 3D3-108 |      | 03-229-A |               | Serial No. 3D3-100 to 3D3-108 |
|      |          |          | Serial No. 4D3-100 to 4D3-145 |      |          |               | Serial No. 4D3-100 to 4D3-145 |
| 14   | 03-447   | 1        | Lift Valve                    | 29   | 08-082   | 1             | Fuel Tank Cap/Gauge           |
| 15   | 08-184   | 1        | Lift Valve Handle             | 31   | 03-457   | 1-82"         | Wing Lift Hose                |
| 16   | 08-179   | 1        | Valve Handle Grip             | 32   | 02-177   | 2             | Tyrap                         |
| 17   | 13-023   | 1        | "C" Hook Kit                  | 33   | 1222     | 2             | Flatwasher 3/8"               |
| 18   | 13-048   | 1        | Fuel Shut-off Valve           | 34   | 1056     | 6             | Flatwasher 1/4" SAE           |
| 19   | 1008     | 2        | Bolt 1/4" - 20 x 2-1/4"       | 35   | 1004     | 2             | Bolt 1/4" - 20 x 1-1/4"       |

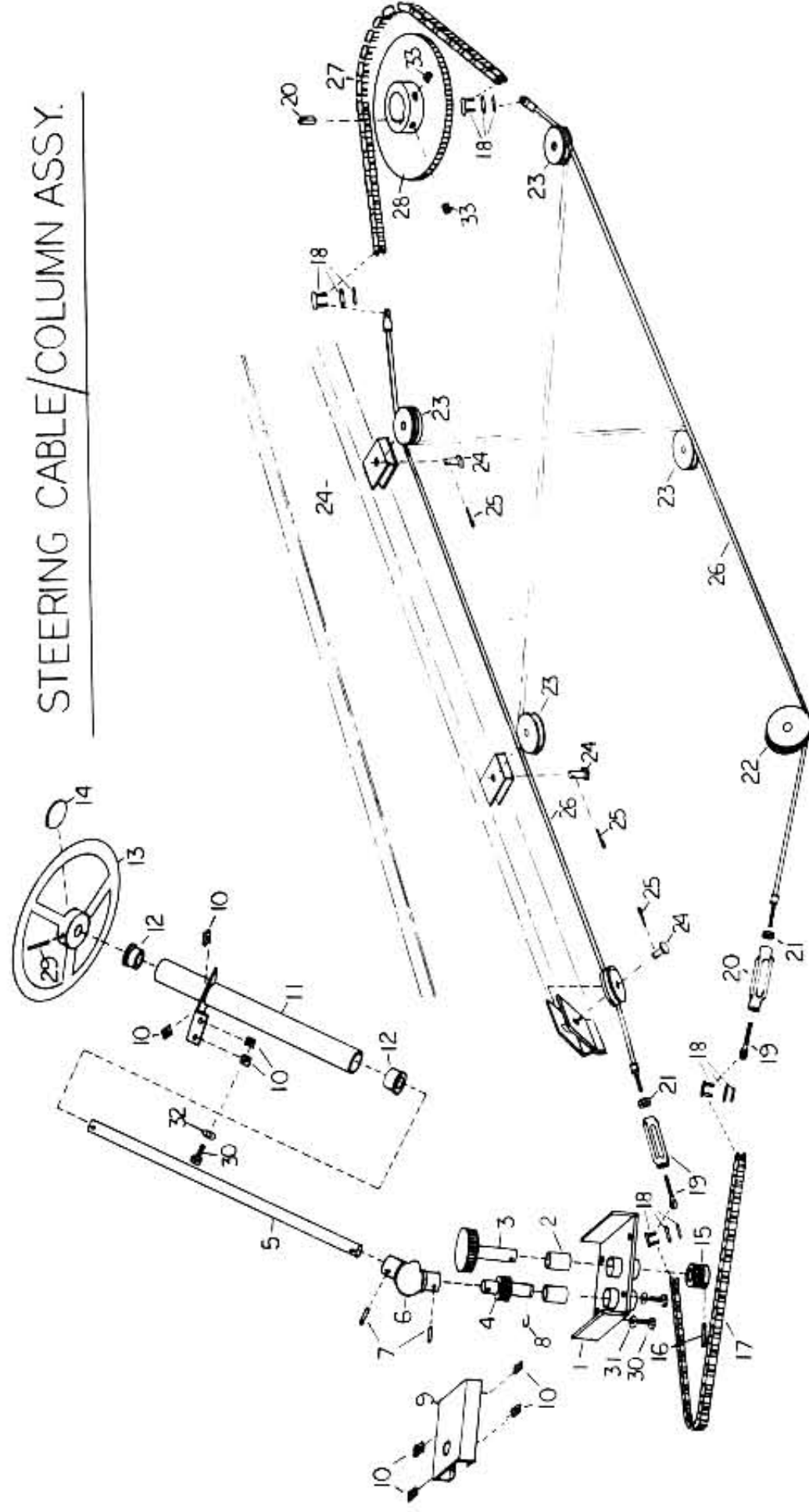
# BRAKE LINKAGE/LIFT CYLINDER ASSY.



| Item | Part No. | Qty.                    | Description                        | Item | Part No. | Qty. | Description                      |
|------|----------|-------------------------|------------------------------------|------|----------|------|----------------------------------|
| 1**  | 08-041   | 1                       | Lift Cyl. Mount Tube               | 21   | 1965     | 2    | Bolt - 1/2" - 13 x 2"            |
| 2**  | 1732     | 1                       | "U" Nut 1/4" - 20                  | 22   | 1791     | 2    | Clevis Pin - 3/8"                |
| 3**  | 08-042   | 1                       | Lift cyl. Mount Pin                | 23   | 5164     | 2    | Clevis 3/8" - Plated             |
| 4**  | 1609     | 2                       | Cotter Pin 1/8" x 1-1/4"           | 24   | 5276     | 2    | Brake Pedal Pad                  |
| 5**  | 4188     | 1                       | Deck Lift Cylinder                 | 25   | 08-026   | 2    | Brake Rod                        |
| 6    | 13-217   | 1                       | Deck Lift Cylinder                 | 26   | 1222     | 2    | Flatwasher - 3/8"                |
| 7    | 03-456   | 1-48" / 60" / 72" / 82" | Hose Assembly                      | 27   | 08-032   | 1    | Brake Cam - Left                 |
| 8    | 03-457   | 1-82"                   | Wing Lift Hose Assembly            | 28   | 08-031   | 1    | Brake Cam - Right                |
| 9    | 08-028   | 1                       | Brake Lock Bar                     | 29   | 6086     | 2    | Spiral Pin - 1/4" x 3/4"         |
| 10   | 08-029   | 1                       | Brake Lock Rod                     | 30   | 4114     | 2    | Extension Spring - 5"            |
| 11** | 1600     | 5                       | Cotter Pin 3/32" x 1"              | 31   | 1747     | 2    | Locknut - 1/2" - 13              |
| 12   | 08-057   | 1                       | Tee Handle                         | 32   | 08-155   | 2    | Secondary Bracket                |
| 13   | 1220     | 1                       | Flatwasher - 1/4"                  | 33   | 6082     | 4    | Brake Disc Pad                   |
| 14   | 1807     | 2                       | Shoulder Bolt 3/8" x 1/2"          | 34   | 1507     | 4    | Bolt 3/8" - 16 x 2" Gr. 5        |
| 15   | 1111     | 4                       | Locknut 5/16" - 18                 | 35   | 6084     | 4    | Jam Locknut - 3/8" - 16          |
| 16   | 1806     | 2                       | Bolt - 5/8" - 11 x 1"              | 36   | 1110     | 1    | Locknut 1/4" - 20                |
| 17   | 1000     | 1                       | Bolt - 1/4" - 20 x 3/4"            | 37** | 1404     | 2    | Flatwasher 5/8" SAE              |
| 18   | 08-025   | 1                       | Brake Lever - Left                 | 38   | 08-283   | 1    | Lift Cylinder Mount Tube         |
| 19   | 08-024   | 1                       | Brake Lever - Right                | 39   | 1134     | 2    | Roll Pin 1/4" x 2-1/4"           |
| 20   | 4121     | 2                       | Bushing 1" I.D. x 1-1/4" O.D. x 1" | 40   | 1214     | 2    | 3/8" x 3/4" x 24 Ga. Shim Washer |
|      | 08-027   | 2                       | Brake Pivot                        | 41   | 1769     | 2    | Flatwasher 3/8" SAE              |
|      | 1223     | 2                       | Flatwasher - 1/2"                  | 42   | 1603     | 2    | Locknut 3/8" - 24 ESNA           |
|      |          |                         |                                    | 43   | 1605     | 1    | Cotter Pin 1/8" x 1"             |

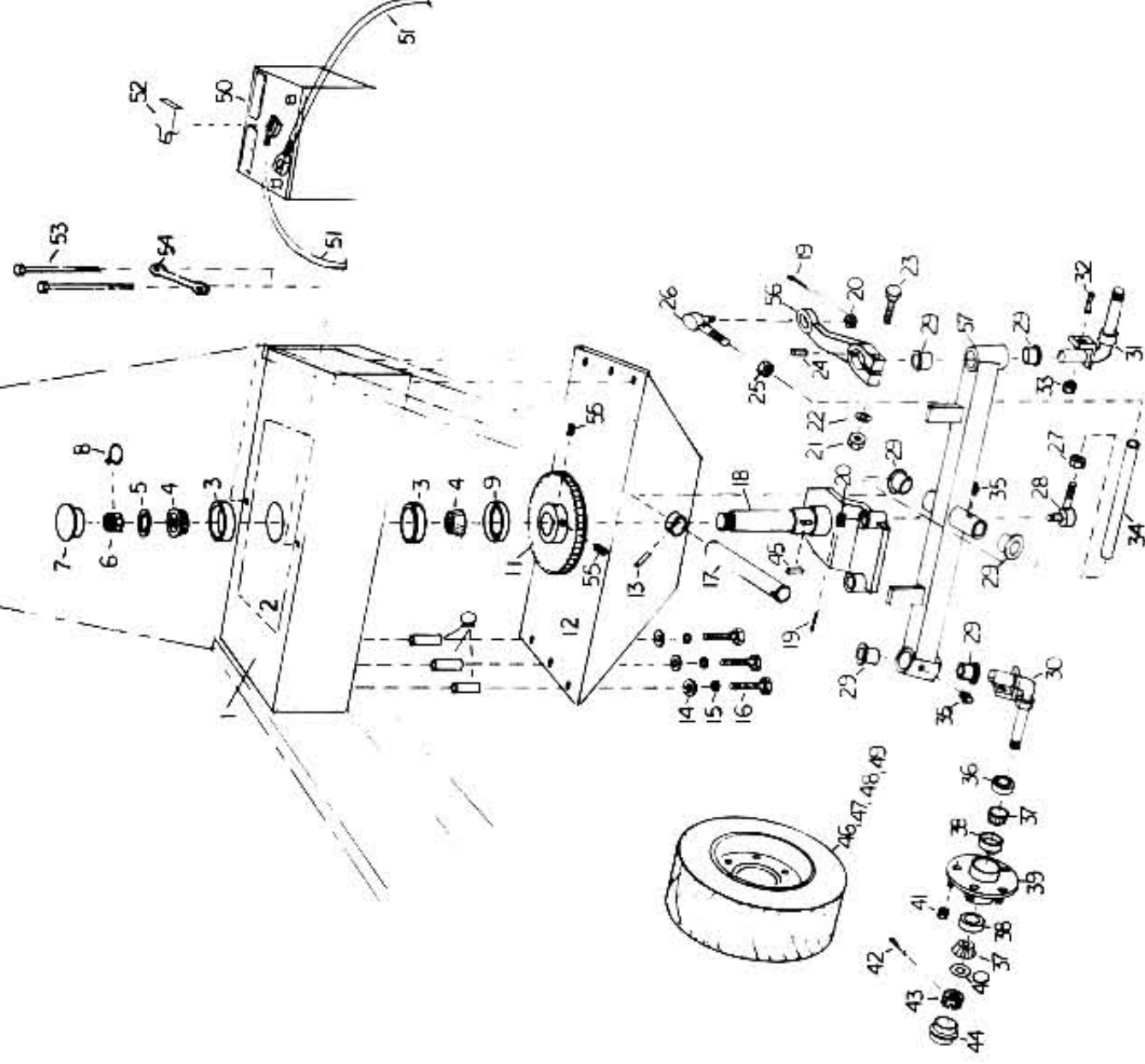
\*\* Serial No. 3G3-100 to 3G3-109  
 Serial No. 3G4-100 to 3G4-111  
 Serial No. 3D3-100 to 3D3-124  
 Serial No. 3D4-100  
 Serial No. 4D3-100 to 4D3-239  
 Serial No. 4D4-100 to 4D4-119

STEERING CABLE/COLUMN ASSY.



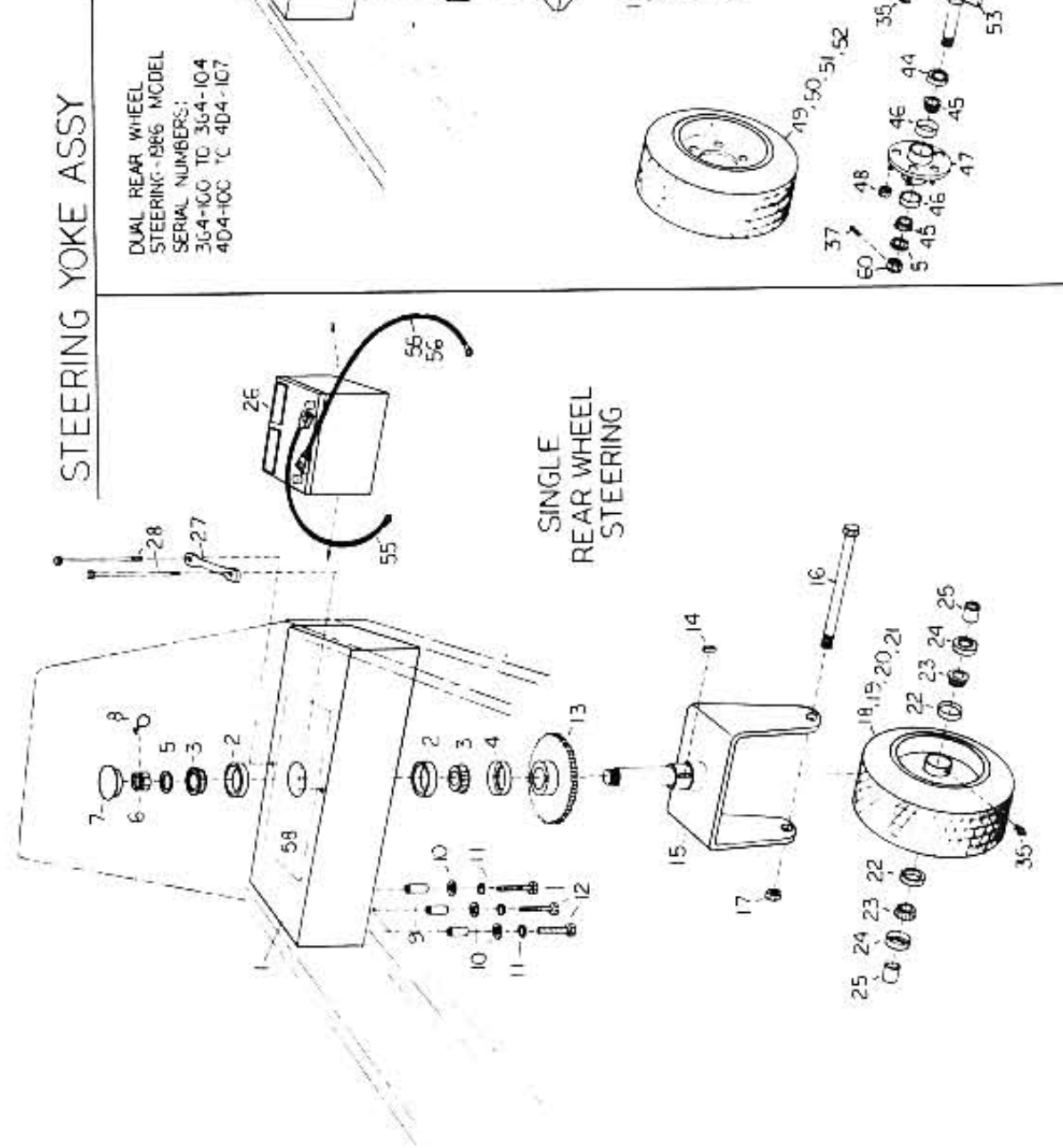
| Item | Part No. | Qty. | Description  | Item | Part No. | Qty.      | Description                            |
|------|----------|------|--|------|----------|-----------|--|
| 1    | 08-016   | 1    | Steering Shaft Brng. Plate                                   | 15   | 08-081   | 1         | Sprocket                               |
| 2    | 5069     | 2    | Bushing  | 16   | 1794     | 1         | Roll Pin - 1/4" x 1-1/4"               |
| 3    | 08-183   | 1    | Steering Output Shaft  | 17   | 08-074   | 1/3 Wheel | Steering Chain - Front 55 Links        |
| 4    | 08-020   | 1    | Steering Output Shaft<br>Serial No. 3D3-100 to 3D3-108       | 18   | 08-287   | 1/4 Wheel | Steering Chain - 47 Pitches            |
| 5    | 08-019   | 1    | Steering Intermediate Shaft<br>Serial No. 4D3-100 to 4D3-145 | 19   | 5064     | 4         | Master Link - #41                      |
| 6    | 08-186   | 1    | Steering Input Shaft   | 20   | 08-143   | 2         | Tumbuckle Eye Bolt Set                 |
| 7    | 08-018   | 1    | Steering Input Shaft<br>Serial No. 3D3-100 to 3D3-108        | 21   | 1316     | 1         | Key - 1/4" x 3/4"                      |
| 8    | 08-017   | 1    | Steering "U" Joint<br>Serial No. 4D3-100 to 4D3-145          | 22   | 1101     | 2         | Hex Nut 1/4" - 20                      |
| 9    | 1131     | 2    | Retaining Ring   | 23   | 08-079   | 2         | Cable Pulley - Front                   |
| 10   | 6031     | 1    | Steering Gear Cover  | 24   | 08-080   | 2         | Cable Pulley - Rear                    |
| 11   | 08-185   | 1    | Steering Gear Cover  | 25   | 1724     | 2/3 Wheel | Cable Pulley - Rear                    |
| 12   | 08-021   | 1    | Steering Column<br>Serial No. 3D3-100 to 3D3-108             | 26   | 1600     | 4/3 Wheel | 3/8" x 1" Clevis Pin                   |
| 13   | 1732     | 8    | "U" Nut 1/4" - 20  | 27   | 08-077   | 6/4 Wheel | 3/8" x 1" Clevis Pin                   |
| 14   | 08-187   | 1    | Steering Column  | 28   | 08-268   | 4/3 Wheel | 3/32" x 1" Cotter Pin                  |
| 15   | 08-022   | 1    | Steering Column Bushing<br>Serial No. 4D3-100 to 4D3-145     | 29   | 08-075   | 2/3 Wheel | 3/32" x 1" Cotter Pin                  |
| 16   | 5071     | 1    | Steering Wheel   | 30   | 08-267   | 1/3 Wheel | Steering Cable                         |
| 17   | 5072     | 1    | Steering Wheel Cap   | 31   | 5059     | 2/4 Wheel | Steering Cable                         |
| 18   |          |      |  | 32   | 1132     | 1/3 Wheel | Steering Chain - Rear 45 Links         |
| 19   |          |      |  | 33   | 1003     | 1/4 Wheel | Steering Chain - 47 Pitches            |
| 20   |          |      |  |      | 1056     | 1         | Sprocket                               |
| 21   |          |      |  |      | 1220     | 6         | Sprocket                               |
| 22   |          |      |  |      | 1126     | 4         | Roll Pin 1/4" x 1- 1/2"                |
| 23   |          |      |  |      |          | 2         | Bolt 1/4" - 20 x 1"                    |
| 24   |          |      |  |      |          | 2         | Flatwasher 1/4" SAE                    |
| 25   |          |      |  |      |          | 2         | Flatwasher 1/4"                        |
| 26   |          |      |  |      |          | 2         | 5/16" - 18 x 1/4" Nurl Point Set Screw |

STEERING YOKE ASSEMBLY - DUAL REAR WHEEL



| Item | Part No. | Qty. | Description                  | Item | Part No. | Qty. | Description                 |
|------|----------|------|------------------------------|------|----------|------|-----------------------------|
| 1    | 08-002   | 1    | Rear Yoke Weight             | 30   | 08-276   | 1    | Spindle - Right             |
| 2    | 08-188   | 1    | Battery Pad                  | 31   | 08-275   | 1    | Spindle - Left              |
| 3    | 5270A    | 2    | Bearing Cup                  | 32   | 1984     | 2    | Set Screw 1/2" - 13 x 1"    |
| 4    | 5270B    | 2    | Bearing Cone                 | 33   | 1607     | 2    | Jam Nut 1/2" - 13           |
| 5    | 1408     | 1    | Flatwasher - 1" SAE          | 34   | 08-140   | 2    | Tie Rod                     |
| 6    | 1701     | 1    | Slotted Nut 1" - 14          | 35   | 1500     | 7    | Grease Fitting              |
| 7    | 08-087   | 1    | Rear Yoke Plug               | 36   | 04-006   | 2    | Seal                        |
| 8    | 1845     | 6"   | Safety Wire                  | 37   | 04-165   | 4    | Bearing Cone                |
| 9    | 5269     | 1    | Seal                         | 38   | 04-007   | 4    | Bearing Cup                 |
| 10   | 08-014   | 6    | Frame Bolt Sleeve            | 39   | 04-008   | 2    | Wheel Hub                   |
| 11   | 08-266   | 1    | Sprocket                     | 40   | 1408     | 2    | Flatwasher - 1" SAE         |
| 12   | 08-273   | 1    | Rear Yoke - 4 Wheel          | 41   | 05-148   | 10   | Lug Nut                     |
| 13   | 1794     | 1    | Roll Pin - 1/4" x 1-1/4"     | 42   | 1608     | 2    | Cotter Pin 1/8" x 2"        |
| 14   | 1222     | 6    | Flatwasher - 3/8"            | 43   | 1701     | 2    | Slotted Nut 1" - 14         |
| 15   | 1202     | 6    | Lockwasher - 3/8"            | 44   | 04-107   | 2    | Hub Cap                     |
| 16   | 1041     | 6    | Bolt - 3/8" - 16 x 3-1/2"    | 45   | 1316     | 1    | Key - 1/4" x 3/4"           |
| 17   | 08-272   | 1    | Axle Pivot Pin               | 46   | 05-145   | 2    | Rear Wheel Assy.            |
| 18   | 08-274   | 1    | Steering Shaft Assy.         | 47   | 08-160   | -    | Rear Wheel Only             |
| 19   | 1605     | 4    | Cotter Pin 1/8" x 1"         | 48   | 08-109   | -    | Rear Tire                   |
| 20   | 1836     | 4    | Castle Nut 3/8" - 24         | 49   | 08-110   | -    | Repair Tube                 |
| 21   | 1103     | 2    | Nut - 3/8" - 16              | 50   | 5037     | 1    | Battery                     |
| 22   | 1202     | 2    | Lockwasher 3/8"              | 51   | 02-178   | 2    | Battery Cable               |
| 23   | 1507     | 2    | Bolt 3/8" - 16 x 2"          | 52   | 5132     | 2    | Terminal Cover (Red/Black)  |
| 24   | 1316     | 2    | Key 1/4" x 3/4"              | 53   | 1809     | 2    | Bolt 1/4" - 20 x 9"         |
| 25   | 1867     | 2    | Jam Nut 9/16" - 18 Left Hand | 54   | 08-052   | 1    | Battery Hold-Down           |
| 26   | 04-253   | 2    | Ball Joint - Left Hand       | 55   | 1126     | 2    | Set Screw 5/16" - 18 x 1/4" |
| 27   | 1108     | 2    | Jam Nut 9/16" - 18           | 56   | 08-265   | 2    | Steering Lever              |
| 28   | 04-243   | 2    | Ball Joint - Right Hand      | 57   | 08-278   | 1    | Axle Assembly               |
| 29   | 04-242   | 6    | Bushing                      |      |          |      |                             |





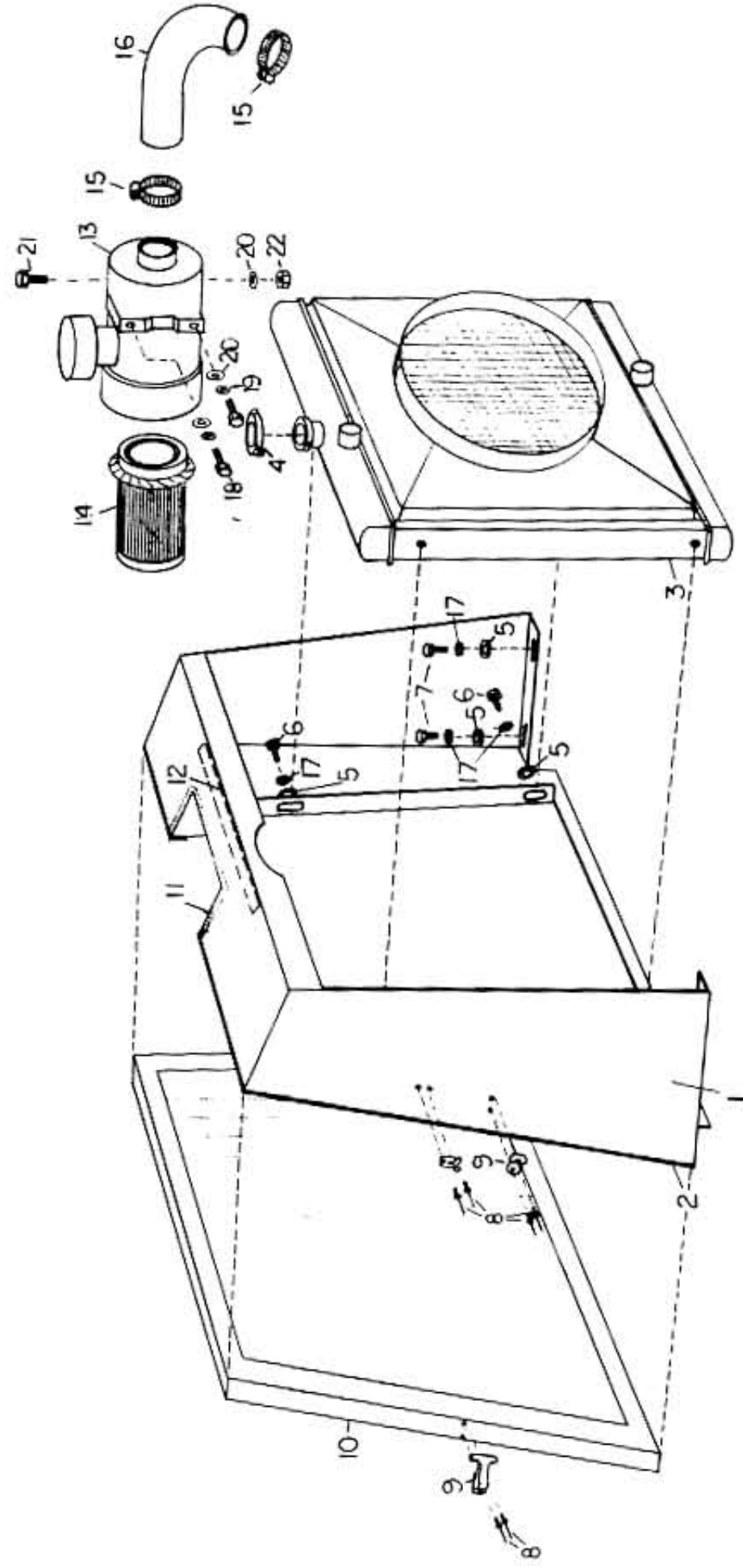
STEERING YOKE ASSY

DUAL REAR WHEEL  
STEERING - 1966 MODEL  
SERIAL NUMBERS:  
3G4-100 TO 3G4-104  
4D4-100 TO 4D4-107

SINGLE REAR WHEEL  
STEERING

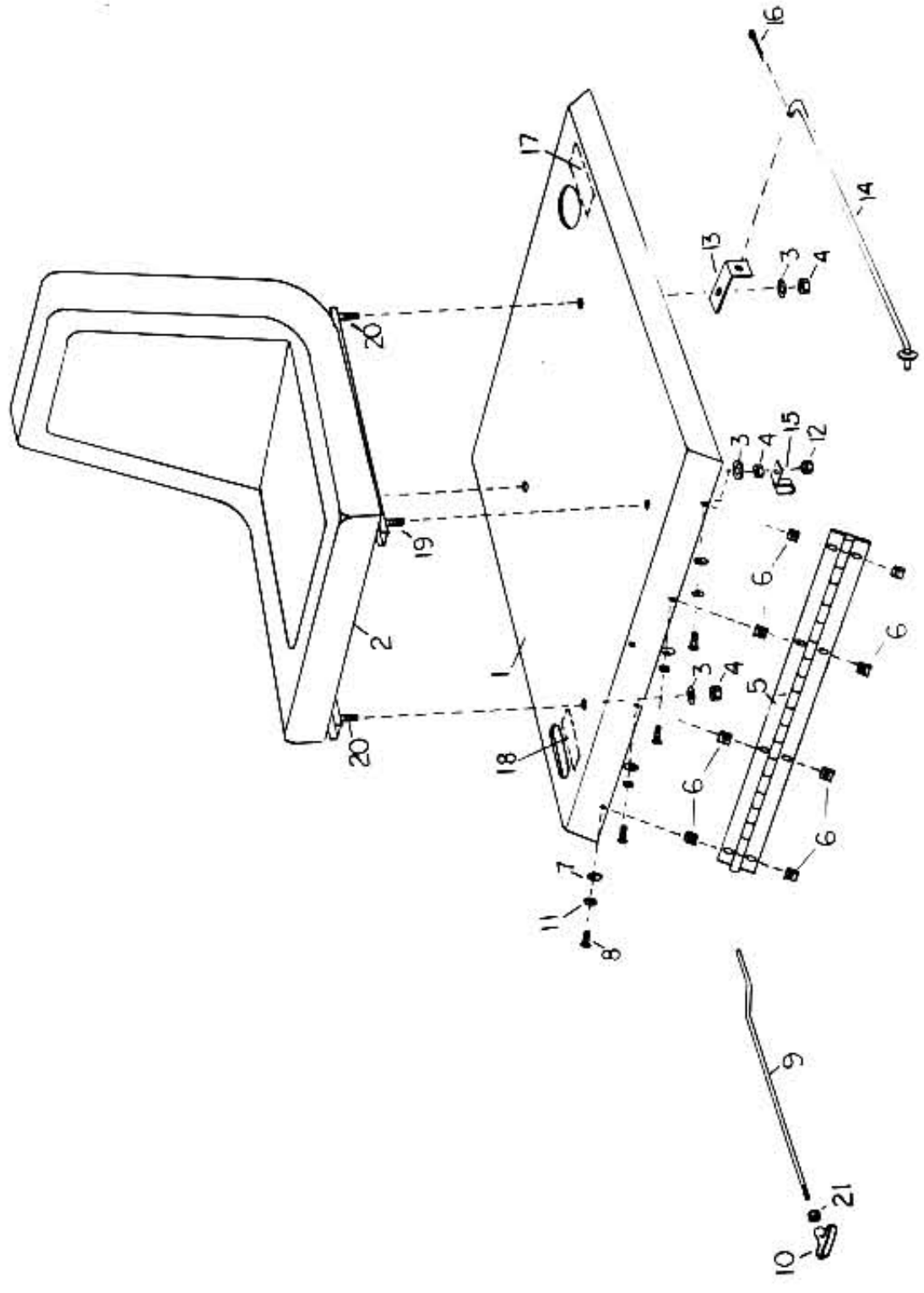
| Item | Part No. | Qty.      | Description              | Item | Part No. | Qty.       | Description                                  |
|------|----------|-----------|--------------------------|------|----------|------------|--|
| 1    | 08-002   | 1         | Rear Yoke Weight         | 33   | 08-138   | 1/4 Wheel  | Axle   |
| 2    | 5270A    | 2         | Bearing Cup              | 34   | 04-242   | 6/4 Wheel  | Bushing 1" I.D. x 1-1/4" O.D. x 1" Flanged   |
| 3    | 5270B    | 2         | Bearing Cone             | 35   | 1500     | 1/3 Wheel  | Grease Fitting                               |
| 4    | 5269     | 1         | Seal                     | 36   | 1230     | 7/4 Wheel  | Grease Fitting                               |
| 5    | 1408     | 1/3 Wheel | Flatwasher - 1" SAE      | 37   | 1608     | 2/4 Wheel  | Fender Washer 3/8"                           |
| 6    | 1701     | 3/4 Wheel | Flatwasher - 1" SAE      | 38   | 1030     | 2/4 Wheel  | Cotter Pin 1/8" x 2"                         |
| 7    | 08-087   | 1         | Slotted Nut 1" - 14      | 39   | 04-243   | 2/4 Wheel  | Bolt 3/8" - 16 x 3/4"                        |
| 8    | 1845     | 6"        | Rear Yoke Plug           | 40   | 1836     | 2/4 Wheel  | Ball Joint - Right Hand                      |
| 9    | 08-014   | 6"        | Safety Wire              | 41   | 1605     | 4/4 Wheel  | Castle Nut 3/8" - 24                         |
| 10   | 1222     | 6         | Frame Bolt Sleeve        | 42   | 08-140   | 2/4 Wheel  | Cotter Pin 1/8" x 1"                         |
| 11   | 1202     | 6/3 Wheel | Flatwasher - 3/8"        | 43   | 1108     | 2/4 Wheel  | Tie Rod                                      |
| 12   | 1039     | 6/3 Wheel | Lockwasher - 3/8"        | 44   | 04-006   | 2/4 Wheel  | Jam Nut 9/16" - 18                           |
| 13   | 5059     | 1         | Bolt - 3/8 - 16 x 3"     | 45   | 04-165   | 4/4 Wheel  | Seal   |
| 14   | 1316     | 1         | Sprocket                 | 46   | 04-007   | 4/4 Wheel  | Bearing Cone                                 |
| 15   | 08-063   | 1/3 Wheel | Key 1/4" x 3/4"          | 47   | 04-008   | 2/4 Wheel  | Bearing Cup                                  |
| 16   | 1835     | 1/3 Wheel | Steering Yoke Assy.      | 48   | 05-148   | 10/4 Wheel | Wheel Hub                                    |
| 17   | 1114     | 1/3 Wheel | Bolt - 3/4 - 10 x 9 1/2" | 49   | 05-145   | 2/4 Wheel  | Lug Nut                                      |
| 18   | 08-107   | 1/3 Wheel | Locknut 3/4" - 10        | 50   | 08-160   | 2/4 Wheel  | Rear Wheel Assy.                             |
| 19   | 08-108   | -         | Rear Wheel Assy.         | 51   | 08-109   | -          | Rear Wheel Only                              |
| 20   | 08-109   | -         | Rear Tire Only           | 52   | 08-110   | -          | Rear Tire                                    |
| 21   | 08-110   | -         | Repair Tube              | 53   | 08-141   | 1/4 Wheel  | Repair Tube                                  |
| 22   | 6053     | 2/3 Wheel | Bearing Cup              | 54   | 08-142   | 1/4 Wheel  | Steering Spindle - Right                     |
| 23   | 5077     | 2/3 Wheel | Bearing Cone             | 55   | 02-178   | 2          | Steering Spindle - Left                      |
| 24   | 5076     | 2/3 Wheel | Seal                     | 56   | 5132     | 1          | Battery Cable                                |
| 25   | 08-135   | 2/3 Wheel | Wheel Spacer             | 57   | 04-253   | 2/4 Wheel  | Terminal Cover                               |
| 26   | 5037     | 1         | Battery                  | 58   | 08-188   | 1          | Ball Joint - Left Hand                       |
| 27   | 08-052   | 1         | Battery Holddown         | 59   | 1867     | 2/4 Wheel  | Battery Pad                                  |
| 28   | 1809     | 2         | Bolt 1/4" - 20 x 9"      | 60   | 1701     | 2/4 Wheel  | Jam Nut 9/16" - 18 Left Hand                 |
| 29   | 08-003   | 1/4 Wheel | Rear Yoke - Dual Wheel   | 61   | 1794     | 1/4 Wheel  | Slotted Nut 1" - 14                          |
| 30   | 08-136   | 1/4 Wheel | Belcrank                 | 62   | 1606     | 2/4 Wheel  | Roll Pin 1/4" x 1-1/4"                       |
| 31   | 08-137   | 1/4 Wheel | Axle Pivot Pin           | 63   | 1607     | 2/4 Wheel  | Set Screw 1/2" - 13 x 1-1/4"                 |
| 32   | 1041     | 6/4 Wheel | Bolt - 3/8" x 3-1/2"     | ...  | 08-177   | -          | Jam Nut 1/2" - 13<br>Rear Weight (Not Shown) |

# RADIATOR COWLING ASSY



| Item | Part No. | Qty.         | Description                                  | Item      | Part No. | Qty.         | Description              |
|------|----------|--------------|--|-----------|----------|--------------|--------------------------|
| 1    | 08-050   | 1            | Radiator Cowling                             | 13        | 08-096   | 1            | Air Cleaner Assy.        |
| 2    | 00-083   | 6'           | Weatherstrip 1/8" x 1"                       | 14        | 08-097   | 1            | Air Cleaner Element      |
| 3    | 08-090   | 1/422        | Radiator                                     | 15        | 04-038   | 2            | Hose Clamp               |
| 4    | 08-091   | 1/321, 1/317 | Radiator                                     | 16        | 08-095   | 1/422, 1/317 | Air Cleaner Hose         |
| 5    | 08-131   | 1            | Radiator Cap - 12#                           | 17        | 08-173   | 1/321        | Air Cleaner Hose         |
| 6    | 1220     | 8            | Flatwasher - 1/4"                            | 18        | 1200     | 8            | Lockwasher - 1/4"        |
| 7    | 1834     | 4            | Bolt - 6mm x 12mm HHCS                       | 19        | 1307     | 2            | Bolt 8mm x 16mm          |
| 8    | 1000     | 4            | Bolt - 1/4" - 20 x 3/4"                      | 20        | 1221     | 2            | Flatwasher - 5/16"       |
| 9    | 1779     | 12           | Pop Rivet 1/8" x 1/4"                        | 21        | 1201     | 3            | Lockwasher - 5/16"       |
| 10   | 05-084   | 4            | Draw Latch Kit                               | 22        | 1213     | 1            | Bolt 5/16" - 18 x 1"     |
| 11   | 08-064   | 1            | Hood Screen Assy.<br>(Includes Draw Latches) | Not Shown | 1102     | 1            | Nut - 5/16" - 18         |
| 12   | 04-059   | 18'          | Edge Trim                                    | **        | 00-116   | 40"          | 1/2" x 3/4" Weatherstrip |
|      | 00-036   | 1            | Decal - Rotating Blades                      |           |          |              |                          |

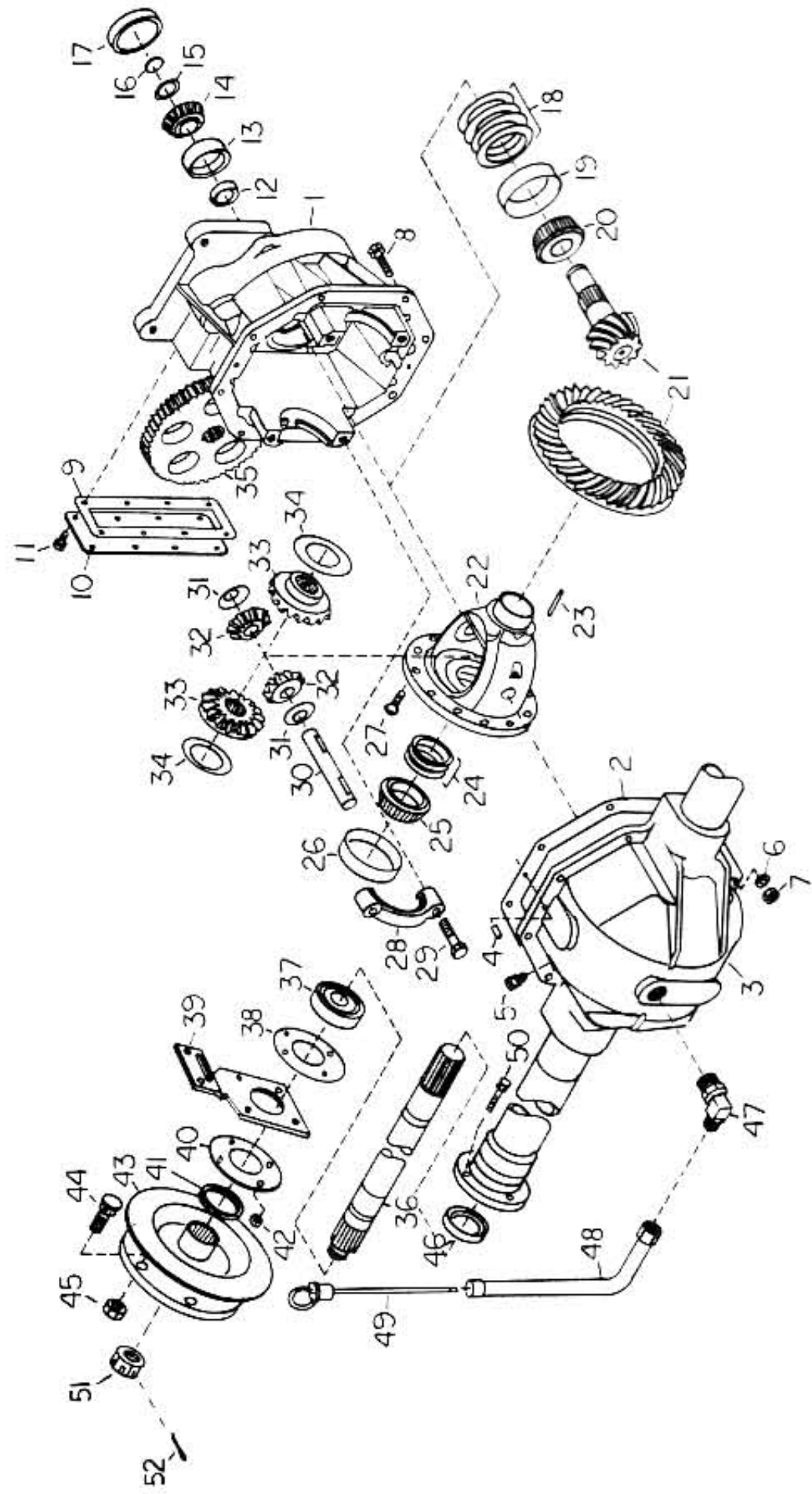
ACCESS COVER ASSY.



| Item | Part No. | Qty. | Description         | Item | Part No. | Qty.  | Description            |
|------|----------|------|---------------------|------|----------|-------|------------------------|
| 1    | 08-055   | 1    | Access Cover        | 12   | 1111     | 1     | Locknut 5/16" - 18     |
| 2    | 08-100   | 1    | Seat                | 13   | 08-065   | 1     | Access Cover Rod Brkt. |
| 3    | 1201     | 4    | Lockwasher - 5/16"  | 14   | 08-066   | 1     | Access Cover Rod       |
| 4    | 1102     | 4    | Nut 5/16" - 18      | 15   | 08-146   | 1     | "J" Clip               |
| 5    | 08-008   | 1    | Hinge               | 16   | 1600     | 1     | Cotter Pin 3/32" x 1"  |
| 6    | 1732     | 8    | "U" Nut 1/4" - 20   | 17   | 00-044   | -     | Decal "Diesel Fuel"    |
| 7    | 1220     | 8    | Flatwasher - 1/4"   | 18   | 00-108   | 1/321 | Decal "Gasoline"       |
| 8    | 1003     | 8    | Bolt 1/4" - 20 x 1" | 19   | 00-107   | 1     | Decal "Raise Caution"  |
| 9    | 08-056   | 1    | Cover Latch Rod     | 20   | 1021     | 1     | Bolt 5/16" - 18 x 1"   |
| 10   | 08-057   | 1    | Tee Handle          | 20   | 1020     | 3     | Bolt 5/16" - 18 x 3/4" |
| 11   | 1200     | 8    | Lockwasher 1/4"     | 21   | 1101     | 1     | Hex Nut 1/4" - 20      |

# TRANSAXLE ASSEMBLY

\*\* 08-069 Complete Transaxle Assy.

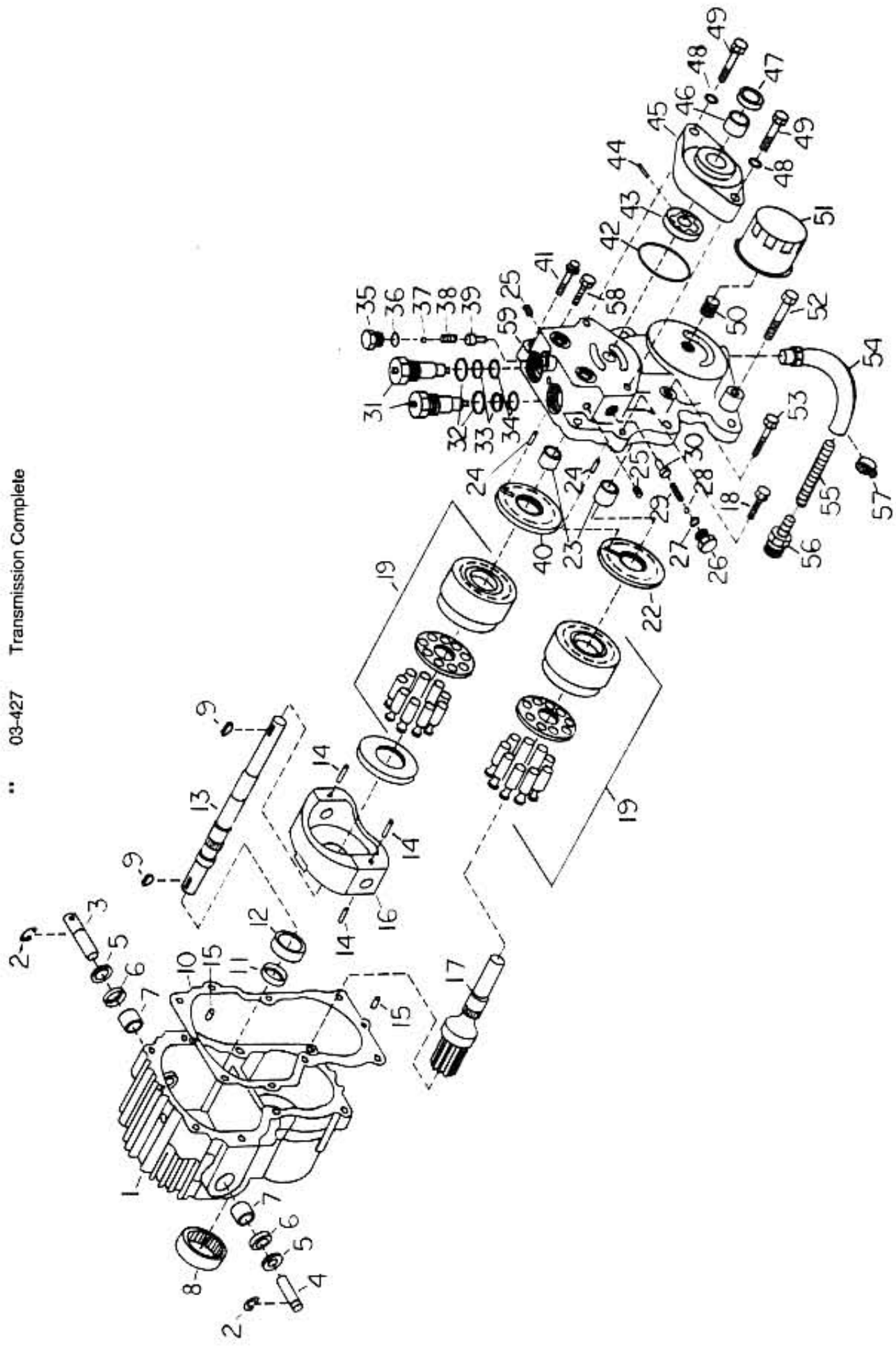


| Item | Part No. | Qty. | Description             | Item | Part No. | Qty. | Description                 |
|------|----------|------|-------------------------|------|----------|------|-----------------------------|
| 1    | 08-166   | 1    | Carrier                 | 29   | 6067     | 4    | Bolt                        |
| 2    | 6020     | 1    | Gasket                  | 30   | 6065     | 1    | Shaft                       |
| 3    | 08-165   | 1    | Housing                 | 31   | 6041     | 1    | Thrust Washer               |
| 4    | 6021     | 2    | Pin                     | 32   | 6042     | 2    | Gear                        |
| 5    | 6019     | 1    | Vent Tube Assy.         | 33   | 6113     | 2    | Gear                        |
| 6    | 1201     | 8    | Lockwasher - 5/16"      | 34   | 6039     | 2    | Thrust Washer               |
| 7    | 1102     | 8    | Hex Nut - 5/16" - 18    | 35   | 6051     | 1    | Spur Gear                   |
| 8    | 1023     | 8    | Bolt 5/16 - 18 x 1-1/2" | 36   | 08-168   | 1    | Axle Shaft - Right (Short)  |
| 9    | 6020A    | 1    | Gasket                  | 37   | 08-181   | 1    | Axle Shaft - Left (Long)    |
| 10   | 6066     | 1    | Cover                   | 38   | 6007     | 2    | Bearing Set                 |
| 11   | 6069     | 8    | Bolt                    | 39   | 6005     | 2    | Basket                      |
| 12   | 6050     | 1    | Spacer                  | 40   | 08-030   | 1    | Brake Mount Plate - Left    |
| 13   | 6105     | 1    | Bearing Cup             | 41   | 08-128   | 1    | Brake Mount Plate - Right   |
| 14   | 6104     | 1    | Bearing Cone            | 42   | 6004     | 2    | Dust Seal                   |
| 15   | 6103     | 1    | Shim Washer             | 43   | 6003     | 2    | Dust Seal Felt              |
| 16   | 6102     | 1    | Retaining Ring          | 44   | 6084     | 8    | Locknut                     |
| 17   | 6029     | 1    | Plug                    | 45   | 08-033   | 2    | Drive Hub Assy.             |
| 18   | 6106     | Set  | Shim                    | 46   | 6070     | 10   | Lub Bolt                    |
| 19   | 6107     | 1    | Bearing Cup             | 47   | 04-142   | 10   | Lug Nut                     |
| 20   | 6108     | 1    | Bearing Cone            | 48   | 6008     | 2    | Seal                        |
| 21   | 6045     | Set  | Ring & Pinion Gear      | 49   | 03-417   | 1    | Fitting 2501 - 12 - 8       |
| 22   | 6037     | 1    | Differential Housing    | 50   | 03-418   | 1    | Differential Filler Tube    |
| 23   | 6043     | 1    | Pin                     | 51   | 05-191   | 1    | Dip Stick                   |
| 24   | 6036     | Set  | Shim                    | 52   | 6083     | 8    | Bolt 1/8" - 16 x 2" 68.5    |
| 25   | 08-167   | 2    | Bearing Cone            | **   | 6062     | 2    | Slotted Hex Nut 7/8" - 14   |
| 26   | 6112     | 2    | Bearing Cup             | **   | 1609     | 2    | Cotter Pin 1/8" x 1-1/4"    |
| 27   | 6038     | 10   | Bolt                    | **   | 08-069   | -    | Complete Transaxle Assembly |
| 28   | 6068     | 2    | Cup                     |      |          |      |                             |



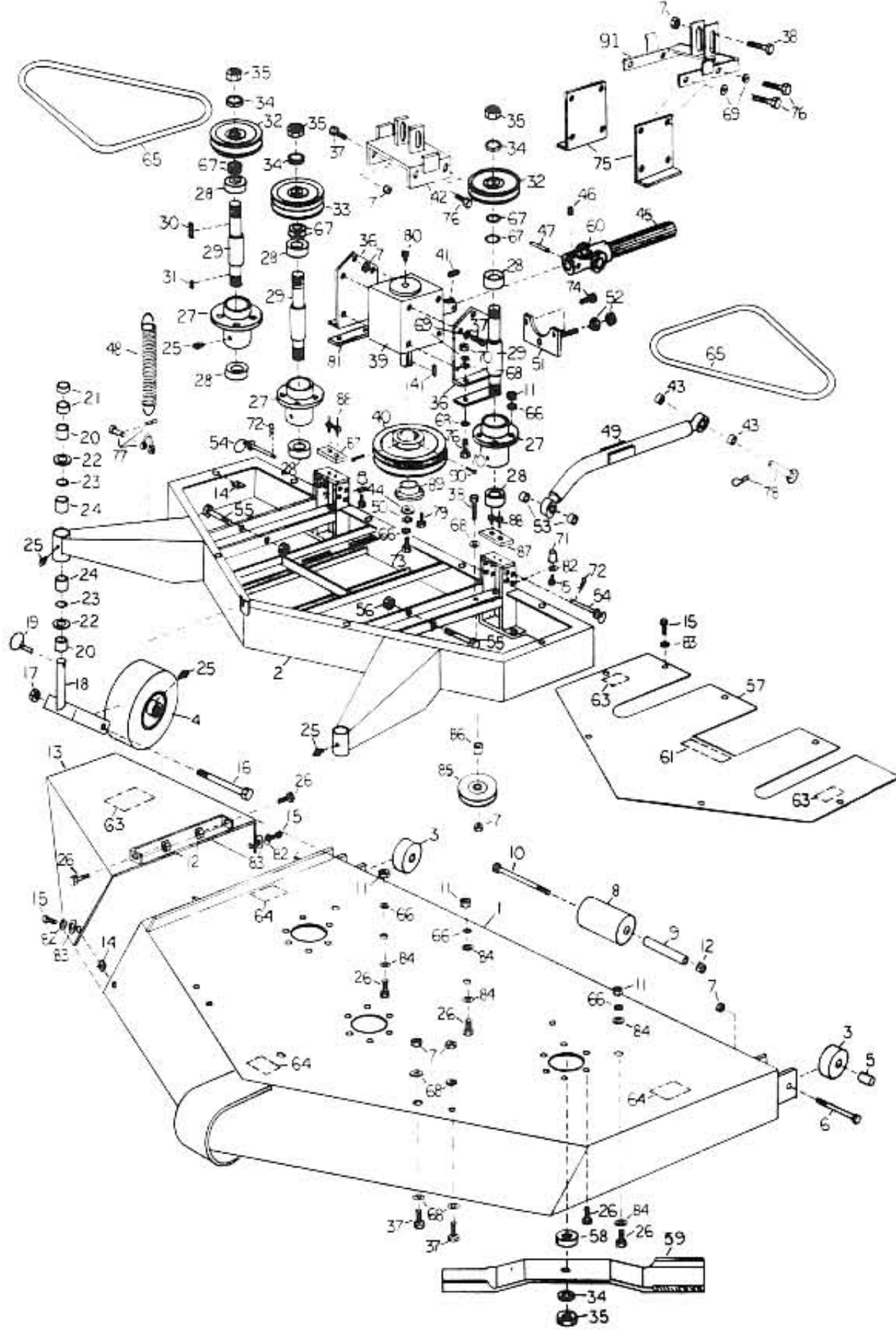
# TRANSMISSION

\*\* 03-427 Transmission Complete



| Item | Part No. | Qty. | Description        | Item      | Part No. | Qty. | Description           |
|------|----------|------|--------------------|-----------|----------|------|-----------------------|
| 1    | 03-482   | 1    | Housing            | 32        | 6529     | 2    | "O" Ring              |
| 2    | 6501     | 2    | Retaining Ring     | 33        | 6530     | 2    | Back Up Ring          |
| 3    | 6502     | 1    | Trunion Shaft      | 34        | 6531     | 2    | "O" Ring              |
| 4    | 6503     | 1    | Trunion Shaft      | 35        | 6523     | 1    | Plug                  |
| 5    | 6504     | 2    | Washer             | 36        | 6524     | 1    | "O" Ring              |
| 6    | 6505     | 2    | Lip Seal           | 37        | 6525     | 1    | Shim Pack             |
| 7    | 6506     | 2    | Needle Bearing     | 38        | 6532     | 1    | Spring                |
| 8    | 6507     | 1    | Roller Bearing     | 39        | 6533     | 1    | Cone                  |
| 9    | 6602     | 2    | Woodruff Key       | 40        | 6534     | 1    | Pump Valve Plate      |
| 10   | 6509     | 1    | Gasket             | 41        | 6535     | 2    | Cap Screw             |
| 11   | 03-483   | 1    | Seal               | 42        | 6536     | 1    | "O" Ring              |
| 12   | 03-484   | 1    | Bearing            | 43        | 6537     | 1    | Rotor Assy.           |
| 13   | 03-485   | 1    | Shaft-Pump         | 44        | 6538     | 1    | Pin                   |
| 14   | 6513     | 4    | Spring Pin         | 45        | 6539     | 1    | Charge Pump Housing   |
| 15   | 6514     | 2    | Dowel Pin          | 46        | 6540     | 1    | Needle Bearing        |
| 16   | 6515     | 1    | Swash Plate        | 47        | 6510     | 1    | Seal                  |
| 17   | 6516     | 1    | Shaft-Motor        | 48        | 6542     | 2    | Flat Washer           |
| 18   | 03-486   | 2    | Bolt               | 49        | 6543     | 2    | Cap Screw             |
| 19   | 6518     | 2    | Cylinder Block Kit | 50        | 6548     | 1    | Filter Adaptor        |
| 22   | 6519     | 1    | Motor Valve Plate  | 51        | 6033     | 1    | Filter                |
| 23   | 6520     | 2    | Needle Bearing     | 52        | 6544     | 2    | Cap Screw             |
| 24   | 6521     | 2    | Pin                | 53        | 03-487   | 2    | Cap Screw             |
| 25   | 6522     | 2    | Pipe Plug          | 54        | 6552     | 1    | Hose Assy.            |
| 26   | 6523     | 2    | Plug               | 55        | 6071     | 1    | Hose Spring           |
| 27   | 6524     | 1    | "O" Ring           | 56        | 6022     | 1    | Fitting               |
| 28   | 6525     | 1    | Shim Pack          | 57        | 6023     | 1    | Hose Clamp            |
| 29   | 6526     | 1    | Spring             | 58        | 03-488   | 1    | Cap Screw             |
| 30   | 6527     | 1    | Cone               | 59        | 6545     | 1    | Rear Casing           |
| 31   | 6528     | 2    | Check Valve Assy.  | Not Shown | 6551     | -    | Charge Pump Kit       |
|      |          |      |                    | **        | 03-427   | -    | Complete Transmission |

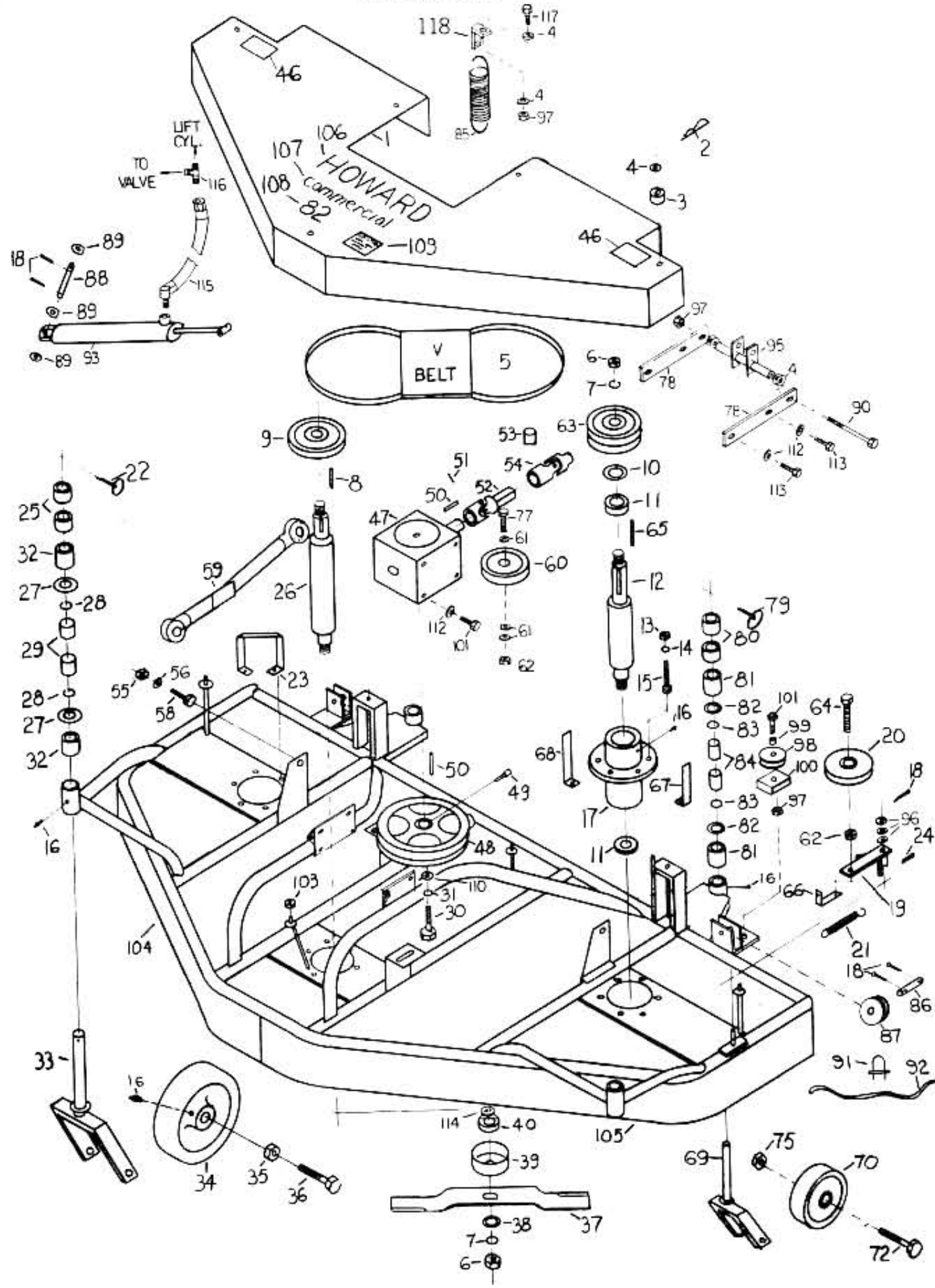
B 48, B 60, B 72 CUTTING UNITS



| Item | Part No. | Qty.       | Description                                |
|------|----------|------------|--|
| 1    | 4288     | 1          | Grass Pan 48"                              |
|      | 4289     | 1          | Grass Pan 60"                              |
|      | 4290     | 1          | Grass Pan 72"                              |
| 2    | 4291     | 1          | Deck Frame 48"                             |
|      | 4292     | 1          | Deck Frame 60"                             |
|      | 4293     | 1          | Deck Frame 72"                             |
| 3    | 4129     | 2          | Rear Caster Wheel                          |
| 4    | 08-121   | 2          | Caster Wheel Assy.                         |
|      | 08-122   | -          | Caster Wheel                               |
|      | 08-123   | -          | Caster Tire                                |
|      | 08-124   | -          | Repair Tube                                |
|      | 08-125   | -          | Caster Wheel Bearing Kit                   |
| 5    | 4264     | 2          | Bushing                                    |
| 6    | 1041     | 2          | Bolt 3/8" - 16 x 3-1/2"                    |
| 7    | 1112     | 10/B72     | Locknut 3/8" - 16                          |
|      | 1112     | 8/B48,60   | Locknut 3/8" - 16                          |
| 8    | 4229     | 1/B72      | Roller                                     |
| 9    | 4260     | 1/B72      | Bushing                                    |
| 10   | 1080     | 1/B72      | Bolt 5/16" x 5-1/2"                        |
| 11   | 1102     | 24         | Hex Nut 5/16" - 18                         |
| 12   | 1111     | 3          | Locknut 5/16" - 18                         |
| 13   | 07-068   | 1/B48,60   | Flip Up Discharge Chute                    |
|      | 07-302   | 1/B72      | Flip Up Discharge Chute                    |
|      | 4294     | 1/B48,60   | Chute                                      |
|      | 4295     | 1/B72      | Chute                                      |
| 14   | 1732     | 10         | "U" Nut 1/4" - 20                          |
| 15   | 1000     | 14         | Bolt 1/4" - 20 x 3/4" - Size               |
| 16   | 1068     | 2          | Axle Bolt 5/8" x 5-1/2"                    |
| 17   | 1113     | 2          | Locknut 5/8" - 11                          |
| 18   | 4125     | 2          | Yoke                                       |
| 19   | 07-016   | 2          | Klick Pin                                  |
| 20   | 4118     | 4          | Spacer 1"                                  |
| 21   | 4117     | 4          | Spacer 1/2"                                |
| 22   | 1408     | 4          | Flatwasher 1" SAE                          |
| 23   | 4123     | 4          | "O" Ring                                   |
| 24   | 4121     | 4          | Bushing                                    |
| 25   | 1500     | 7          | Grease Zerk                                |
| 26   | 1021     | 26         | Bolt 5/16" - 18 x 1"                       |
| 27   | 4278     | 3          | Blade Hub                                  |
| 28   | 4268     | 6          | Blade Hub Bearing                          |
| 29   | 4276     | 3          | Blade Shaft                                |
| 30   | 1300     | 3          | Key 3/16" x 1"                             |
| 31   | 1301     | 3          | Key 3/16" x 3/8"                           |
| 32   | 4107     | 2/B48,60   | Pulley                                     |
|      | 4220     | 2/B72      | Pulley                                     |
| 33   | 4274     | 1/B48,60   | Pulley                                     |
| 34   | 4275     | 1/B72      | Pulley                                     |
| 35   | 1206     | 6          | Lockwasher 3/4"                            |
| 36   | 1107     | 6          | Jam Nut 3/4" SAE                           |
| 37   | 07-022   | 2/B72      | Gearbox Mount Brkt.                        |
|      | 1031     | 8/B48,60   | Bolt 3/8" - 16 x 1"                        |
|      | 1031     | 12/B72     | Bolt 3/8" - 16 x 1"                        |
| 38   | 1035     | 2          | Bolt 3/8" x 2"                             |
| 39   | 07-071   | 1          | Gearbox (214 1.75:1 B)                     |
|      | 07-020   | 1          | Gearbox (214 2:1 B)                        |
|      | 4143     | 1/B48      | Serial No. B4-A100 to B4-A109              |
|      | 08-269   | 1/B60,72   | Serial No. B7-A100 to B7-A181              |
|      | 1602     | 2          | Serial No. B6-A100 to B6-A179              |
| 41   | 1602     | 2          | Pulley                                     |
| 42   | 07-120   | 1/72       | 1987 Lift Brkt. Assy.                      |
|      | 07-119   | 1/72       | 1986 Lift Brkt. Assy.                      |
| 43   | 07-124   | 4          | Spacer - Push Arm                          |
| 44   | 07-011   | 4-5        | Shim Washer 1" I.D. x 1-1/2" O.D. x 14-GA. |
| 45   | 07-069   | 1          | Drive Shaft 11-1/2" Male Spline            |
|      | 08-226   | 1          | Drive Shaft 9-1/2" Male Spline             |
| 46   | 1796     | 1          | Serial No. B4-A100 to B4-A109              |
|      | 1139     | 1          | Serial No. B7-A100 to B7-A181              |
|      | 4169-A   | 1/B48,60   | Serial No. B6-A100 to B6-A179              |
| 47   | 1139     | 1          | Set Screw 3/8" - 16 x 1/2"                 |
| 48   | 4169-A   | 1/B48,60   | Roll Pin 5/16" x 2"                        |
|      | 04-131   | 1/B72,82   | Spring 12"                                 |
| 49   | 07-118   | 2          | Spring 10"                                 |
|      | 4339     | 2          | 48"60" Push Arm                            |
|      | 4252     | 2          | 72" Push Arm                               |
|      | 1229     | 2          | 82" Push Arm                               |
| 50   | 07-024   | 1          | Fender Washer 5/16"                        |
| 51   | 1745     | 2          | Gear Box Tension Brkt.                     |
| 52   | 4341     | 4          | Hex Nut 7/16"                              |
| 53   | 4287     | 2          | Spacer                                     |
| 54   | 1065     | 2          | Hanger Pin                                 |
| 55   | 1113     | 2          | Bolt 5/8" x 3-1/2"                         |
| 56   | 4342     | 1/B48      | Locknut 5/8"                               |
| 57   | 4343     | 1/B60      | Cover                                      |
|      | 4344     | 1/B72      | Cover                                      |
| 58   | 4277     | 3          | Blade Adaptor                              |
| 59   | 4282     | 3/B48      | Blade                                      |
|      | 4283     | 3/B60      | Blade                                      |
|      | 4284     | 3/B72      | Blade                                      |
| 60   | 4146     | -          | "U" Joint Bearing Kit                      |
| 61   | 7039     | 1          | Decal - "Turf Blazer"                      |
| 62   | 00-109   | 1/B48      | Decal - "B48"                              |
|      | 00-110   | 1/B60      | Decal - "B60"                              |
|      | 00-111   | 1/B72      | Decal - "B72"                              |
| 63   | 7018     | 1          | Decal - "OSHA Guards"                      |
| 64   | 00-054   | 3          | Decal - "Rotating Blades"                  |
| 65   | 3215     | 2/B48      | Belt                                       |
|      | 3462     | 2/B60      | Belt                                       |
|      | 3463     | 2/B72      | Belt                                       |
| 66   | 1201     | 25         | Lockwasher 5/16"                           |
| 67   | 1232     | 6          | Shim Washer                                |
| 68   | 1222     | 17         | Flatwasher 3/8"                            |
| 69   | 1202     | 16         | Lockwasher 3/8"                            |
| 70   | 1103     | 4          | Hex Nut 3/8" - 16                          |
| 71   | 04-185   | 2          | Rubber Bumper                              |
| 72   | 1876     | 2          | Hair Pin Clip                              |
| 73   | 1071     | 1          | Bolt 5/16" - 24 x 3/4"                     |
| 74   | 1022     | 2          | Bolt 5/16" - 18 x 1-1/4"                   |
| 75   | 07-059   | 2/B48, B60 | Gearbox Brkt.                              |
| 76   | 1824     | 8/B48, B60 | Bolt 3/8" - 16 x 1-1/4"                    |
|      | 1824     | 6/B72      | Bolt 3/8" - 16 x 1-1/4"                    |
| 77   | 1238     | 1          | 5/16" Chain Shackle                        |
| 78   | 1847     | 2          | Push Arm Pin 5/8" x 2-1/2"                 |
| 79   | 1003     | 2          | Bolt 1/4" - 20 x 1"                        |
| 80   | 07-047   | 1          | Gearbox Vent Plug                          |
| 81   | 08-280   | 2          | Gearbox Mnt. Stiffener                     |
| 82   | 1200     | 4          | Lockwasher 1/4"                            |
| 83   | 1220     | 9          | Flatwasher 1/4"                            |
| 84   | 1221     | 10         | Flatwasher 5/16"                           |
| 85   | 4113     | 1          | Idler Pulley                               |
| 86   | 07-117   | 1/B60,72   | Idler Pulley Spacer - 3/4"                 |
|      | 07-116   | 1/B48      | Idler Pulley Spacer - 1"                   |
| 87   | 08-178   | 2          | Rubber Pad                                 |
| 88   | 1718     | 4          | Pop Rivet 3/16" x 5/8"                     |
| 89   | 08-271   | 1/B60,72   | Pulley Hub Bushing                         |
| 90   | 1615     | 2/B48      | Sq. Head Set Screw                         |
| 91   | 07-121   | 1-48/60    | Lift Brkt. Assy.                           |
|      | 07-122   | 1-48/60    | Lift Brkt. Assy.                           |

4348 Hub Assy. Includes Items 27, 28 & 29

B82 CUTTING UNIT



| Item | Part No. | Description                                       |
|------|----------|---|
| 1    | 4231     | Hood  |
| 2    | 4104     | Clip Pin  |
| 3    | 4105     | Mount   |
| 4    | 1222     | Flatwasher 3/8"                                   |
| 5    | 3210     | Belt L  |
| 6    | 3215     | Belt R  |
| 7    | 1121     | LH Nut 5/8"                                       |
| 8    | 1215     | LH Lockwasher 5/8"                                |
| 9    | 1300     | Key 3/16" x 1"                                    |
| 10   | 4107     | Pulley  |
| 11   | 1224     | Flatwasher 3/4"                                   |
| 12   | 4108     | Bearing   |
| 13   | 4109     | Shaft   |
| 14   | 1102     | Nut 5/16"   |
| 15   | 1201     | Lockwasher 5/16"                                  |
| 16   | 1021     | Bolt 5/16" x 1"                                   |
| 17   | 1022     | Bolt 5/16" x 1-1/4"                               |
| 18   | 1500     | Grease Fitting                                    |
| 19   | 4111     | Hub   |
| 20   | 1863     | Cotter Pin 1/8" x 1-1/2"                          |
| 21   | 4112     | Idler Arm   |
| 22   | 4113     | Idler Pulley                                      |
| 23   | 4114     | Spring  |
| 24   | 07-016   | Click Pin   |
| 25   | 4102     | Guard   |
| 26   | 1135     | Roll Pin 3/16" x 1-1/4"                           |
| 27   | 4117     | Spacer  |
| 28   | 4110     | Shaft Center                                      |
| 29   | 1226     | Flat Washer 1"                                    |
| 30   | 4123     | "O" Ring  |
| 31   | 4121     | Bushing   |
| 32   | 1020     | Bolt 5/16" x 3/4"                                 |
| 33   | 1201     | 5/16" Lockwasher                                  |
| 34   | 4118     | Spacer  |
| 35   | 4125     | Yoke  |
| 36   | 08-121   | Caster Wheel - Front                              |
| 37   | 1113     | Locknut 5/8"                                      |
| 38   | 1068     | Axle Bolt 5/8" x 5-1/2"                           |
| 39   | 4133     | Blade   |
| 40   | 1225     | Cup Washer 5/8"                                   |
| 41   | 4135     | Dust Cup  |
| 42   | 4136     | Blade Adaptor                                     |
| 43   | 7004     | Decal - "Caution"                                 |
| 44   | 07-070   | Gearbox 214 1.75:1 "F"                            |
| 45   | 07-019   | Gearbox 214 2:1 "F"                               |
| 46   | 4143     | Serial No. B8-A100 to B8-A123 Pulley              |
| 47   | 1615     | Set Screw   |
| 48   | 1310     | Key 1/4" x 1"                                     |
| 49   | 1402     | Roll Pin 5/16" x 1-5/8"                           |
| 50   | 04-119B  | Drive Shaft Male                                  |
| 51   | 4146     | "U" Joint Bearing                                 |
| 52   | 04-119A  | Drive Shaft Female                                |
| 53   | 1120     | Jam Nut 5/8"                                      |
| 54   | 1205     | Lockwasher 5/8"                                   |
| 55   | 1060     | Bolt 5/8" x 1-3/4"                                |
| 56   | 4252     | Push Arm  |
| 57   | 4148     | Idler Pulley                                      |
| 58   | 1222     | Flatwasher 3/8"                                   |
| 59   | 1112     | Locknut 3/8"                                      |
| 60   | 4149     | Pulley  |
| 61   | 1824     | Bolt 3/8" x 1-1/4"                                |
| 62   | 1300     | Key 3/16" x 1"                                    |
| 63   | 4151     | Idler Pulley Guard                                |
| 64   | 4152     | Finger Guard                                      |
| 65   | 4153     | Finger Guard                                      |
| 66   | 4199     | Yoke  |
| 67   | 4128     | Caster Wheel - Rear                               |
| 68   | 1065     | Bolt 5/8 x 3-1/2"                                 |
| 69   | 1113     | 5/8" Locknut                                      |
| 70   | 1822     | Bolt 3/8" x 1-3/4"                                |
| 71   | 07-048   | Lift Bracket Side                                 |
| 72   | 07-016   | Clip Pin  |
| 73   | 4117     | Spacer  |
| 74   | 4118     | Spacer  |
| 75   | 1226     | Flatwasher  |
| 76   | 4123     | "O" Ring  |
| 77   | 4121     | Bushing   |
| 78   | 4125     | Hub, complete                                     |
| 79   | 4121     | Includes #26, 17, 16 & 11                         |
| 80   | 4251     | Hub, complete                                     |
| 81   | 4261     | Includes #17, 18, 12 & 11 Wing Flap               |
| 82   | 1224     | Washer 3/4"                                       |
| 83   | 1850     | Bolt 3/8" - 16 x 6"                               |
| 84   | 6057     | Cable Clamp                                       |
| 85   | 4185     | Hydro Lift Cable                                  |
| 86   | 4186     | Deck Cylinder                                     |
| 87   | 07-021   | Lift Bracket Center                               |
| 88   | 1231     | Flatwasher - 1/2" SAE                             |
| 89   | 1112     | Locknut 3/8"                                      |
| 90   | 4139     | Cable Pulley                                      |
| 91   | 4140     | Bushing   |
| 92   | 4138     | Cover Guard                                       |
| 93   | 1031     | Bolt 3/8" x 1"                                    |
| 94   | 4105     | Rubber Grommet                                    |
| 95   | 4242     | Deck Guard-R                                      |
| 96   | 4243     | Deck Guard-L                                      |
| 97   | 7002     | (Decal - "Howard")                                |
| 98   | 7039     | Decal - "Turf Blazer"                             |
| 99   | 7003     | (Decal - "Commercial")                            |
| 100  | 7010     | Decal - "82"                                      |
| 101  | 7018     | Decal - "Caution"                                 |
| 102  | 1229     | 5/16" Fenderwasher                                |
| 103  | 1202     | Lockwasher 3/8"                                   |
| 104  | 1824     | 3/8" - 16 x 1-1/4" Bolt                           |
| 105  | 1218     | Machine Bushing 5/8" x 1" x 16 Ga.                |
| 106  | 03-457   | Wing HFT Hose                                     |
| 107  | 03-455   | Fitting 6803-6-6-6                                |
| 108  | 1823     | Bolt 3/8" - 16 x 2-3/4"                           |
| 109  | 07-309   | Spring Tab  |
| 110  | 4250     | Not Pictured: Hub, complete                       |
| 111  | 4251     | Not Pictured: Hub, complete                       |
| 112  | 4261     | Not Pictured: Includes #17, 18, 12 & 11 Wing Flap |

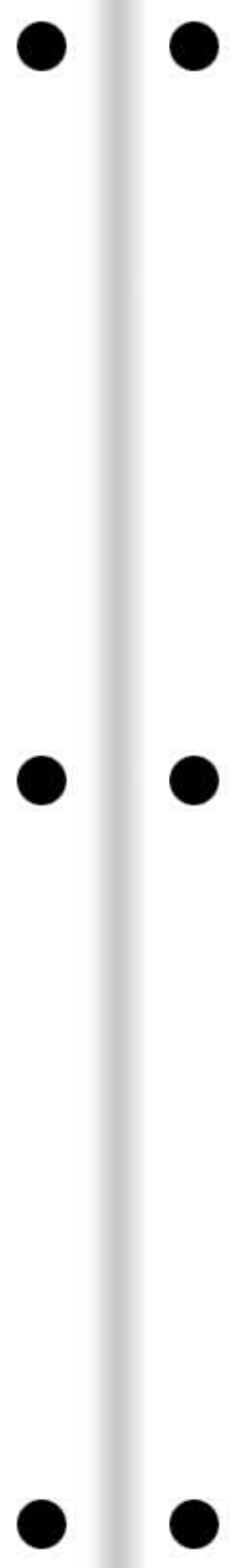
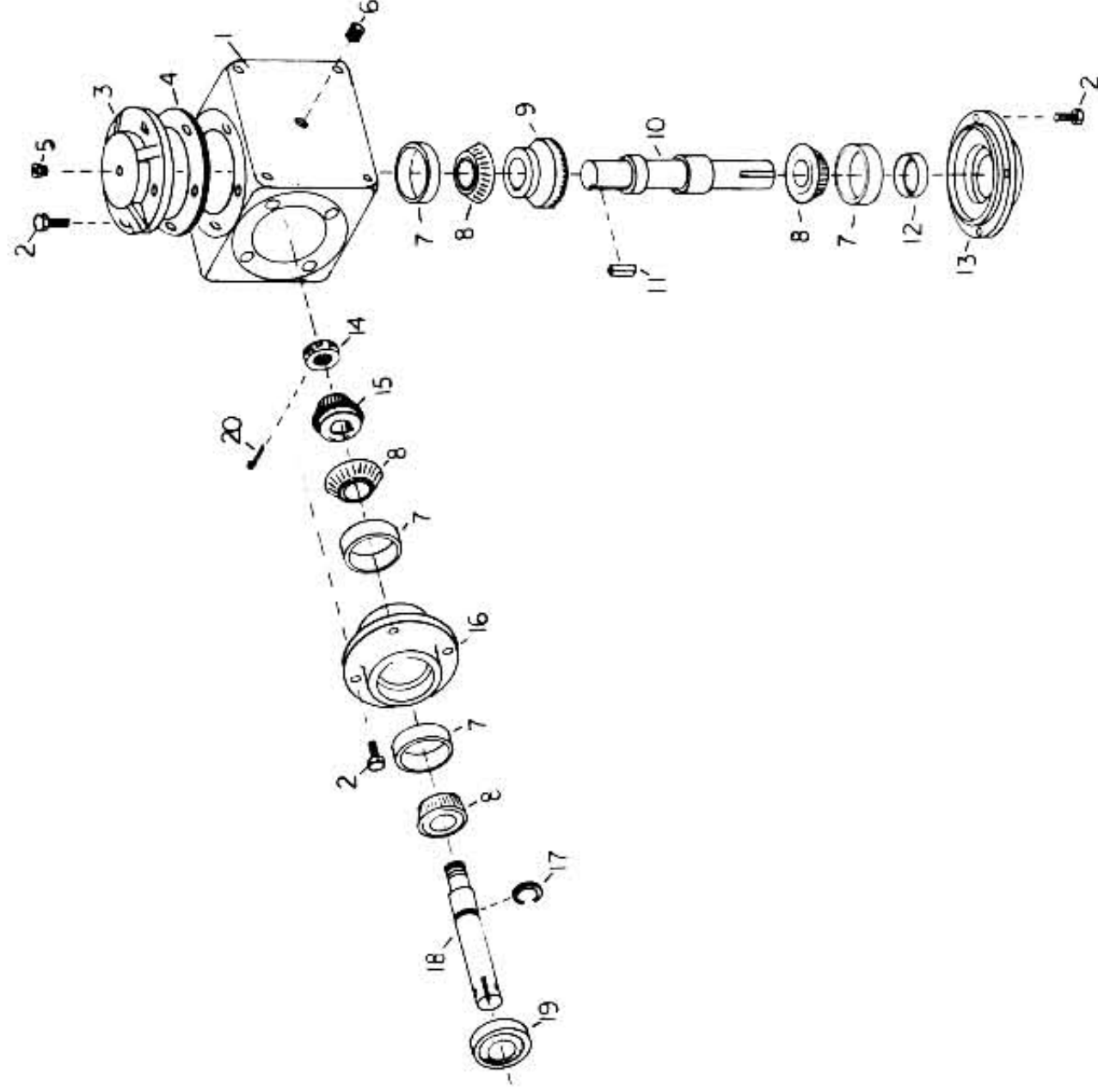






# GEARBOX ASSEMBLY

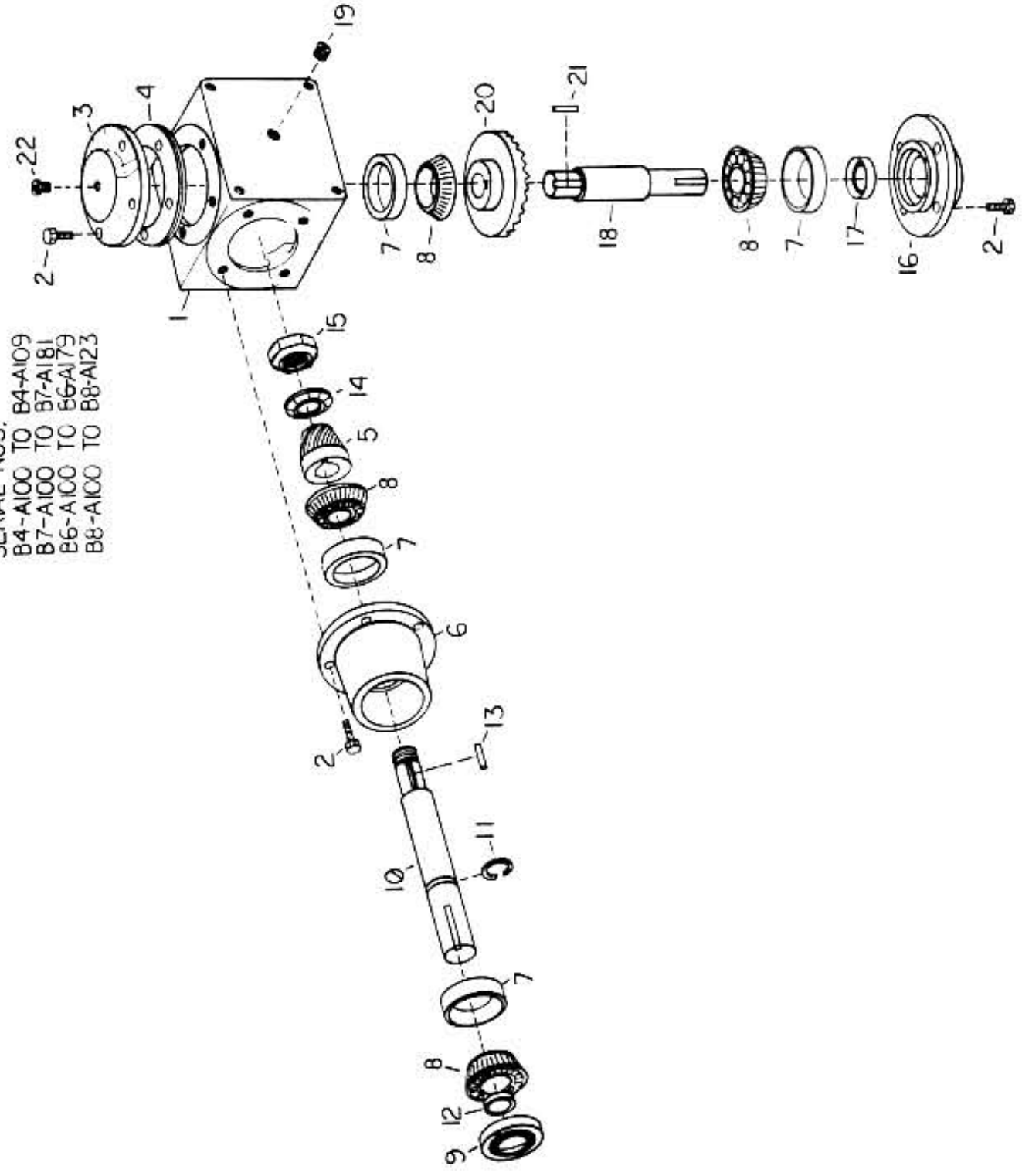
MODEL 214 175:1



| Item | Part No. | Qty.        | Description         | Item | Part No. | Qty.        | Description                             |
|------|----------|-------------|---------------------|------|----------|-------------|---|
| 1    | 07-098   | 1           | Housing             | 12   | 07-092   | 1           | Seal                                    |
| 2    | 07-073   | 12          | Hex Head Cap Screw  | 13   | 07-091   | 1           | Cap                                     |
| 3    | 07-099   | 1           | Blank Cap           | 14   | 07-089   | 1           | Slotted Hex Nut                         |
| 4    | 07-075   | Var.        | Shim Gasket (.015") | 15   | 07-078   | 1           | Gear (Input Shaft)                      |
| 5    | 07-076   | Var.        | Shim Gasket (.005") | 16   | 07-080   | 1           | Hub                                     |
| 6    | 07-077   | Var.        | Shim Gasket (.003") | 17   | 07-086   | 1           | Retaining Ring                          |
| 7    | 07-087   | 1           | Vent                | 18   | 07-084   | 1/B48,60,72 | Shaft (Input)                           |
| 8    | 07-095   | 3           | Pipe Plug           | 19   | 07-085   | 1/B82       | Shaft (Input)                           |
| 9    | 07-081   | 4           | Bearing Cup         | 20   | 07-083   | 1           | Seal                                    |
| 10   | 07-082   | 4           | Bearing Cone        | ...  | 07-090   | 1           | Cotter Pin                              |
| 11   | 07-096   | 1           | Gear (Output Shaft) | ...  | 07-071   | 1/B48,60,72 | Gearbox Assembly (Model 214 1.75:1 "B") |
| 12   | 07-093   | 1/B48,60,72 | Shaft (Output)      | ...  | 07-070   | 1/B82       | Gearbox Assembly (Model 214 1.75:1 "F") |
| 13   | 07-094   | 1/B82       | Shaft (Output)      |      |          |             |   |
| 14   | 07-097   | 1           | Key                 |      |          |             |   |

GEARBOX ASSEMBLY

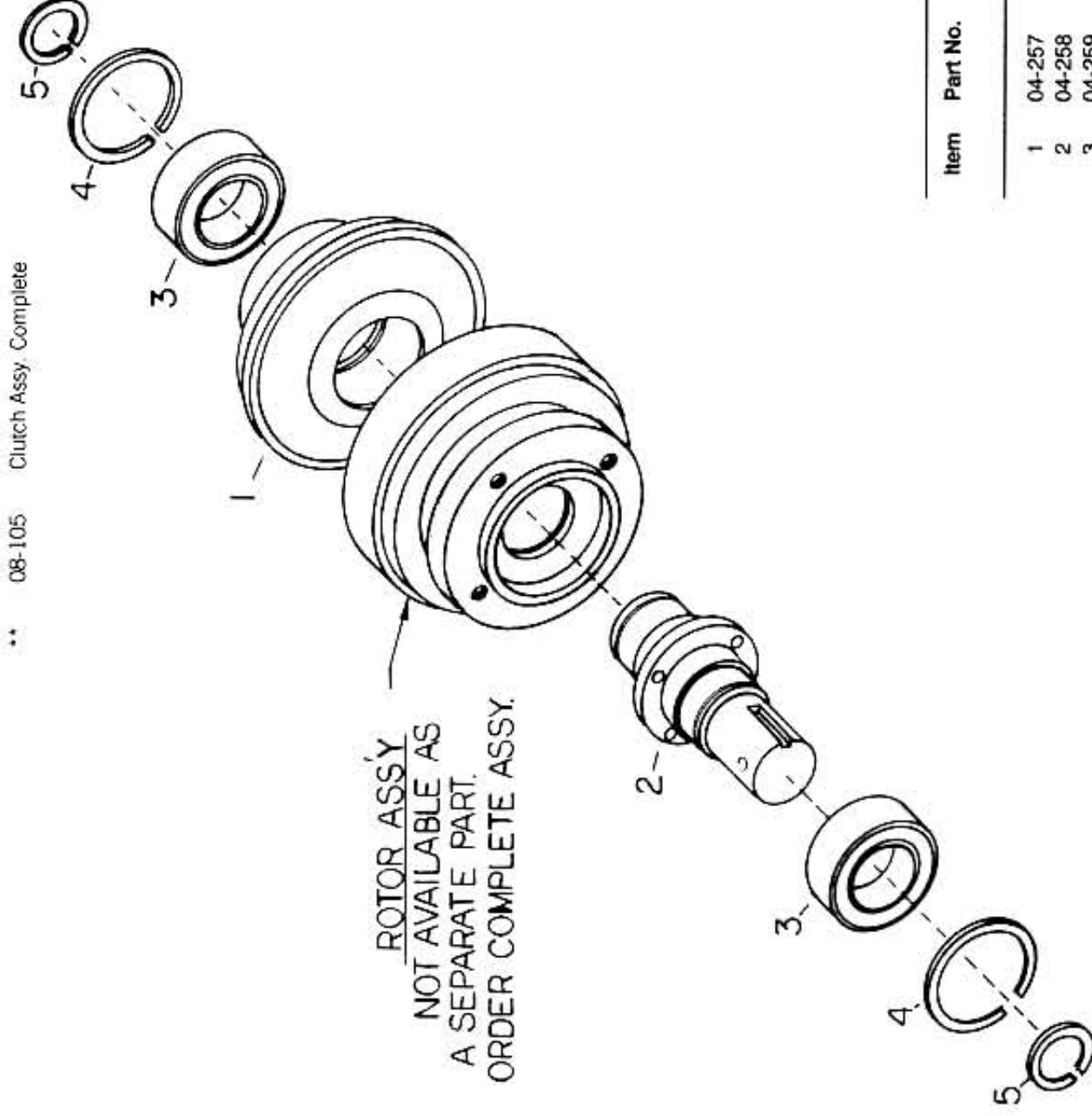
MODEL 214 2:1  
 SERIAL NOS.  
 B4-A100 TO B4-A109  
 B7-A100 TO B7-A181  
 B6-A100 TO B6-A179  
 B8-A100 TO B8-A123



| Item | Part No. | Qty. | Description            | Item | Part No. | Qty.          | Description                             |
|------|----------|------|------------------------|------|----------|---------------|---|
| 1    | 07-025   | 1    | Housing                | 17   | 07-041   | 1             | Seal                                    |
| 2    | 07-026   | 12   | Cap Screw              | 18   | 07-042   | 1/B48,B60,B72 | Shaft                                   |
| 3    | 07-027   | 1    | Blank Cap              | 19   | 07-043   | 1/B82         | Shaft                                   |
| 4    | 07-028   | 1    | Shim Set (As Required) | 20   | 07-044   | 1             | Pipe Plug                               |
| 5    | 07-029   | 1    | Pinion Gear            | 21   | 07-045   | 1             | Gear                                    |
| 6    | 07-030   | 1    | Hub                    | 22   | 07-046   | 1             | Key                                     |
| 7    | 07-031   | 4    | Bearing Cup            | ...  | 07-047   | 1             | Relief Valve                            |
| 8    | 07-032   | 4    | Bearing Cone           | ...  | 07-020   | 1/B48,B60,B72 | Gearbox Assembly<br>(Model 214 2:1 "B") |
| 9    | 07-033   | 1    | Seal                   | ...  | 07-019   | 1/B82         | Gearbox Assembly<br>(Model 214 2:1 "F") |
| 10   | 07-034   | 1    | Shaft                  | ...  | 07-019   | 1/B82         | Gearbox Assembly<br>(Model 214 2:1 "F") |
| 11   | 07-035   | 1    | Retaining Flng         | ...  | 07-019   | 1/B82         | Gearbox Assembly<br>(Model 214 2:1 "F") |
| 12   | 07-036   | 1    | Collar                 | ...  | 07-019   | 1/B82         | Gearbox Assembly<br>(Model 214 2:1 "F") |
| 13   | 07-037   | 1    | Key                    | ...  | 07-019   | 1/B82         | Gearbox Assembly<br>(Model 214 2:1 "F") |
| 14   | 07-038   | 1    | Lockwasher             | ...  | 07-019   | 1/B82         | Gearbox Assembly<br>(Model 214 2:1 "F") |
| 15   | 07-039   | 1    | Locknut                | ...  | 07-019   | 1/B82         | Gearbox Assembly<br>(Model 214 2:1 "F") |
| 16   | 07-040   | 1    | Cap                    | ...  | 07-019   | 1/B82         | Gearbox Assembly<br>(Model 214 2:1 "F") |

## CLUTCH ASSY.

\*\* 08-105 Clutch Assy. Complete



| Item | Part No. | Qty. | Description                |
|------|----------|------|----------------------------|
| 1    | 04-257   | 1    | Armature Assembly          |
| 2    | 04-258   | 1    | Shaft                      |
| 3    | 04-259   | 2    | Bearing                    |
| 4    | 04-260   | 2    | Lock Ring - Large          |
| 5    | 04-261   | 2    | Lock Ring - Small          |
| **   | 08-105   | -    | Clutch Assembly (Complete) |

00-285 6/87

## QUICK REFERENCE

## TURF BLAZER II

|     |                      |                    |
|-----|----------------------|--------------------|
| 48" | (2) 3215 Deck Belt   | (3) 4282 Blade 48" |
| 60" | (2) 3462 Deck Belt   | (3) 4283 Blade 60" |
| 72" | (2) 3463 Deck Belt   | (3) 4284 Blade 72" |
| 82" | (1) 3210 Deck Belt-L | (3) 4133 Blade     |
|     | (1) 3215 Deck Belt-R | (2) 4134 Blade     |
|     | (1) 3200 Wing Belt   |                    |

## COMPLETE SET OF FILTERS:

- (1) 08-097 Air Cleaner Element
- (1) 03-493 Fuel/Water Separator Element

(Or)

03-287 See Page 15 Item 13

- (1) 08-149 Oil Filter
- (1) 6033 Trans Oil Filter
- (1) 08-093 Fuel Filter