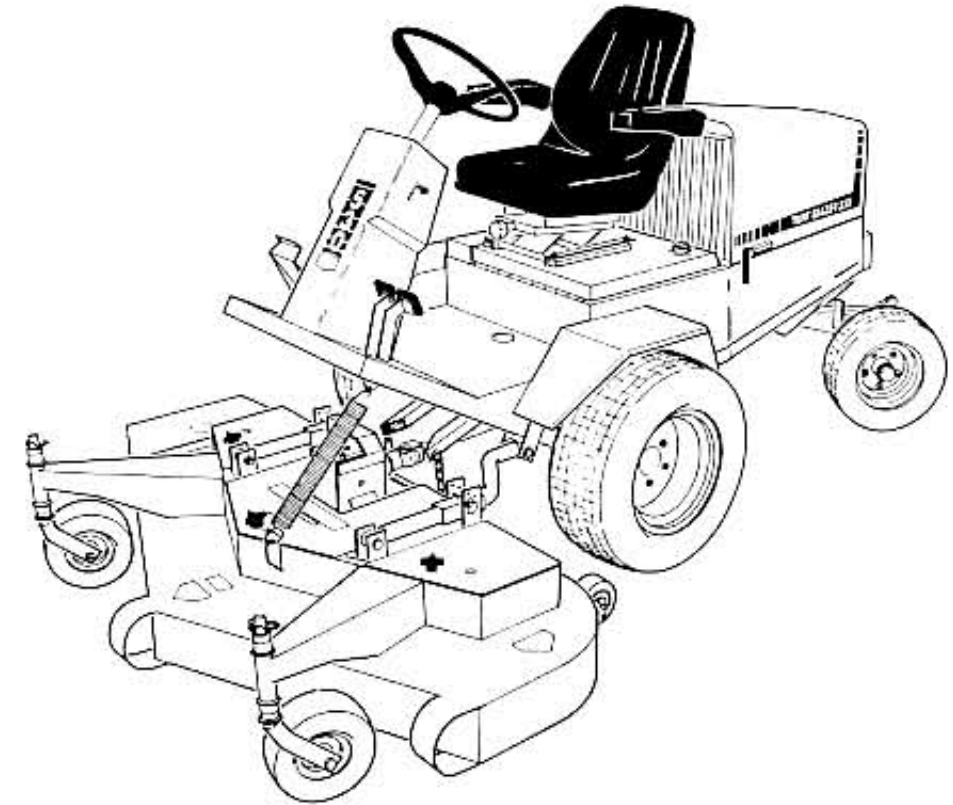




18155 Edison Avenue • Chesterfield, Missouri 63005

TURF BLAZER 530



PARTS MANUAL

TB530-4 TRACTOR

E48 CUTTING UNIT

ED60 CUTTING UNIT

ED60R CUTTING UNIT

ED72 CUTTING UNIT

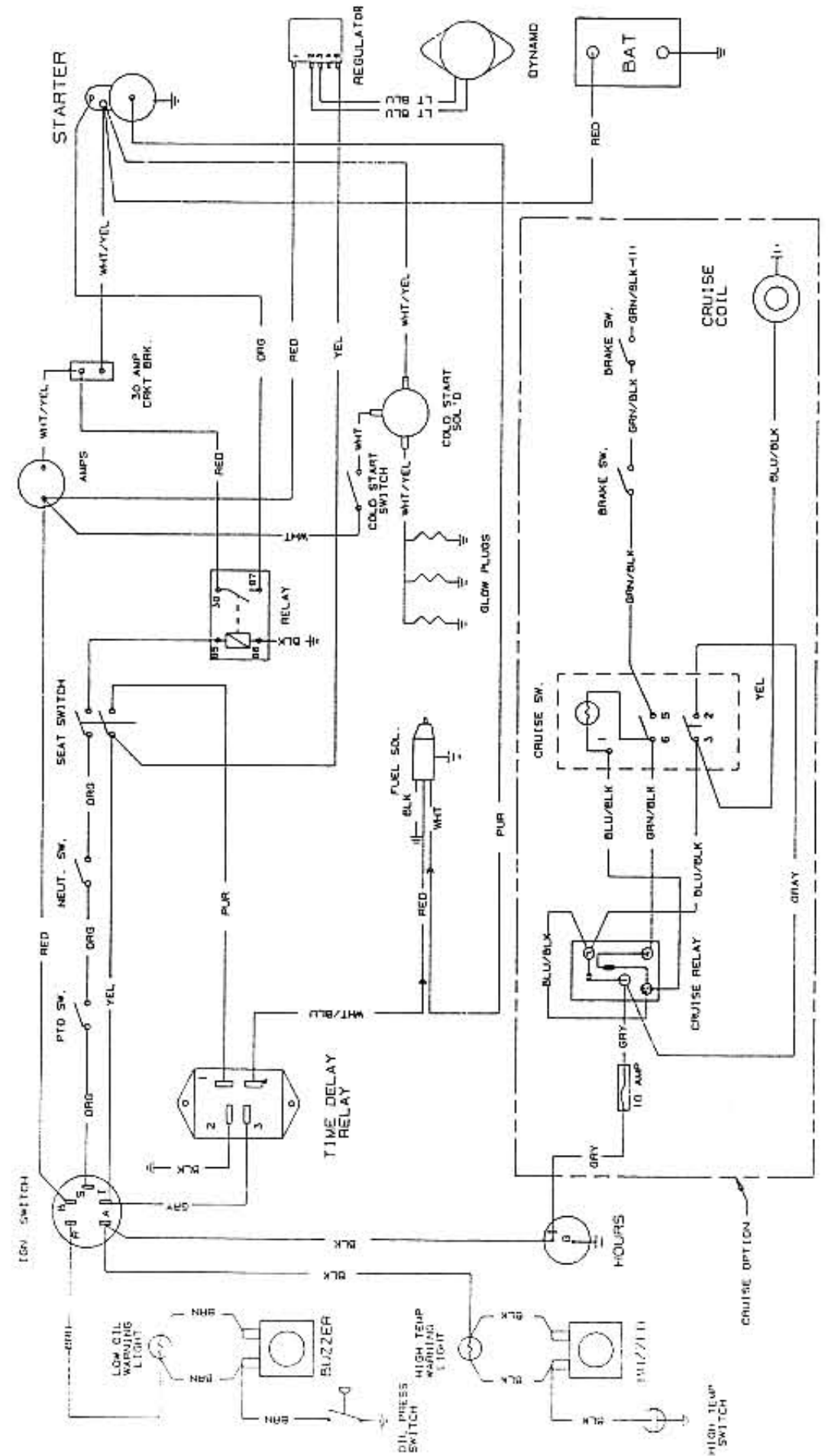
ED72R CUTTING UNIT

00-484 7/95

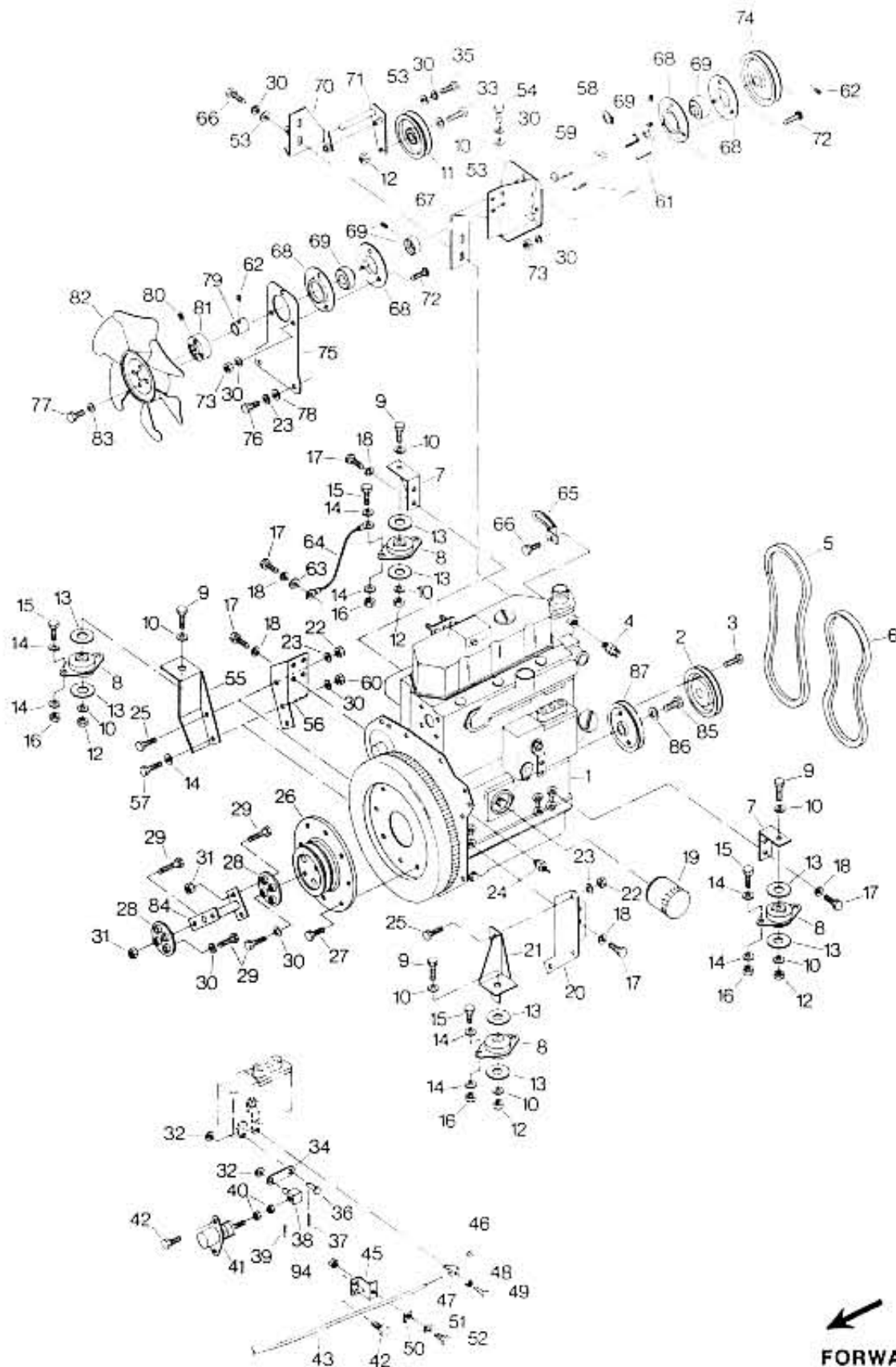
INDEX

530 ELECTRICAL SCHEMATIC.....	1
ENGINE COMPONENTS ASSEMBLY.....	2
ENGINE EXHAUST & AIR CLEANER ASSEMBLY.....	4
RADIATOR COMPONENTS ASSEMBLY.....	6
FUEL SYSTEM.....	8
FRAME ELECTRICAL COMPONENTS.....	10
INSTRUMENT PANEL ASSEMBLY.....	12
HYDRAULIC SYSTEM - STEERING & DECK LIFT.....	14
STEERING COLUMN / VALVE ASSEMBLY.....	16
BRAKE / EMERGENCY BRAKE LINKAGE.....	18
TRACTION CONTROL LINKAGE.....	20
CRUISE CONTROL LINKAGE.....	22
PTO SYSTEM.....	24
FRONT DECK LIFT ARM ASSEMBLY.....	26
DRIVE AXLE / TRANSMISSION ASSEMBLY.....	28
STEERING AXLE ASSEMBLY.....	30
FRAME HOOD / COVERS AND DECALS.....	32
SEAT ASSEMBLY.....	34
TRANSAXLE ASSEMBLY.....	36
TRANSIMMISSION ASSEMBLY.....	38
STEERING VALVE ASSEMBLY.....	40
CUTTING UNIT ASSEMBLY 48", 60" AND 72".....	42
CUTTING UNIT ASSEMBLY (CONT'D) 48", 60" AND 72".....	44
GEARBOX ASSEMBLY.....	46

530 ELECTRICAL SCHEMATIC



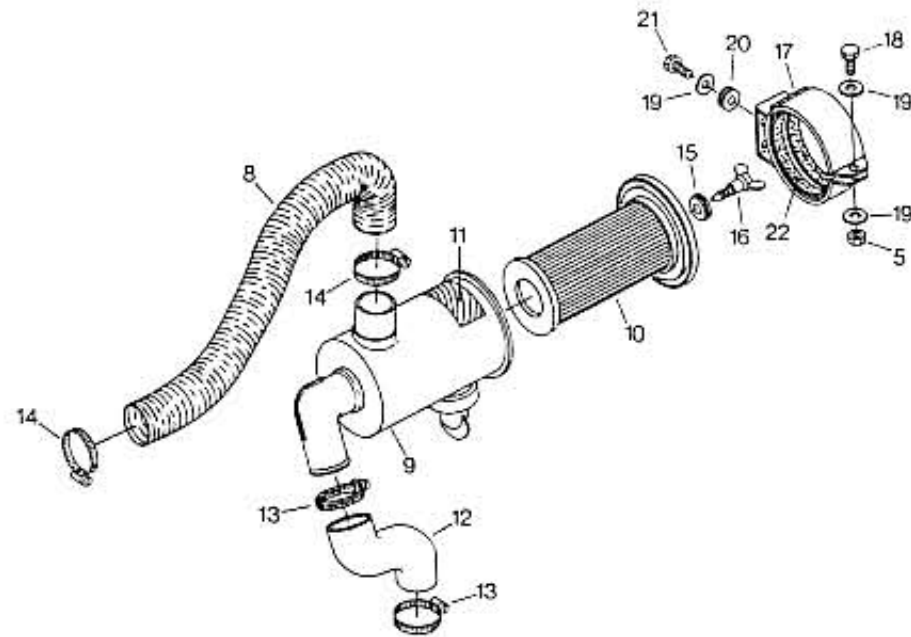
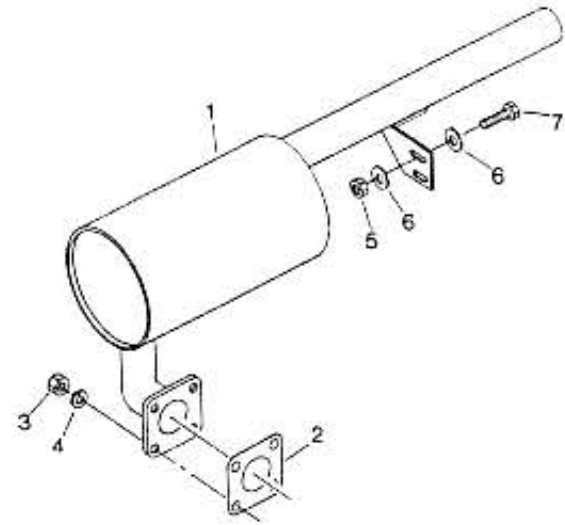
ENGINE COMPONENTS ASSEMBLY



FORWARD

Item	Part #	Qty.	Description	Item	Part #	Qty.	Description
1	04-320	1	Engine-Yanmar 22 H P	45	08-394	1	Bracket-Throttle Cable
2	08-332	1	Pulley-Crankshaft Fan	46	22272-00070	1	"E"-Clip
3	2118	2	Bolt 5/16"-18x1"	47	124756-67510	1	Cable Stop
4	121250-44901	1	Switch-Temperature	48	26756-040002	1	Locknut 4mm
5	08-736	1	Belt-Fan Drive	49	26116-040128	1	Bolt-4mm
6	08-503	1	Belt-Alternator Drive	50	05-279	1	Clip-Cable
7	08-382	2	Motor Mount Brkt -Rear	51	1056	1	Flatwasher 1/4" SAE
8	08-350	4	Motor Mount Isolators	52	1000	1	Bolt 1/4"-20x3/4"
9	1507	4	Bolt 3/8"-16x2"	53	1221	5	Flatwasher 5/16"
10	1222	9	Flatwasher 3/8"	54	2053	2	Bolt 8mm-1 25x35mm
11	09-070	1	Pulley-Idler	55	08-380	1	Motor Mount Brkt -Right Front
12	1112	5	Locknut 3/8"-16	56	08-404	1	Backplate Gusset-Right Front
13	2086	8	Snubwasher 3/8" I D x 1 13/16" O D	57	1022	1	Bolt 5/16"-18x1 1/4"
14	2044	17	Flatwasher 5/16" SAE	58	6031	2	Snap Ring
15	1020	8	Bolt 5/16"-18x3/4"	59	08-333	1	Shaft-Fan
16	1111	8	Locknut 5/16-18	60	1988	1	Hexnut 8mm-1 25
17	1990	13	Bolt 10mm-1.5x25mm	61	1300	2	Key 3/16"x1
18	1996	13	Lockwasher 10mm	62	1126	3	Set Screw 5/16"-18x1/4"
19	119660-35150	1	Oil Filter	63	2220	1	Flatwasher 10mm
20	08-403	1	Backplate Gusset-Left	64	02-310	1	Ground Strap-Engine to Frame
21	08-381	1	Motor Mount Bracket-Left Front	65	08-420	1	Bracket-Alternator
22	2113	3	Hexnut 12mm-1.75	66	2034	3	Bolt 8mm-1 25x20mm
23	2055	5	Lockwasher 12mm	67	08-463	1	Rear Mount Brkt -Fan Brng
24	124160-39450	1	Sender-Oil Pressure	68	09-192	4	Flaugette-Cross Shaft Brng
25	2114	3	Bolt 12mm-1.75x35mm	69	08-734	2	Bearing-Fan Shaft
26	08-334	1	Pulley-Engine PTO	70	08-462	1	Mnt Brkt -Alternator
27	2105	8	Bolt 8mm-1.25x25mm	71	08-401	1	Pivot-Fan Belt Adjust
28	5005C	2	Coupling-Drive Shaft	72	2070	6	Carriage Bolt 5/16"-18x3/4"
29	1972	8	Bolt 5/16"-24x1 3/4	73	1102	6	Hexnut 5/16"-18
30	1201	16	Lockwasher 5/16"	74	08-738	1	Pulley-Fan
31	1115	4	Locknut 5/16"-24	75	08-405	1	Front Mount Brkt -Fan Brng
32	22117-060000	2	Washer 6	76	2117	2	Bolt 12mm-1.75-20mm
33	1822	1	Bolt 3/8"-16x1 3/4"	77	1003	4	Bolt 1/4"-20x1"
34	119629-66860	1	Link-Solenoid	78	1231	2	Flatwasher 1/2" SAE
35	1213	1	Bolt 5/16"-18x1	79	08-733	1	Spacer-Fan
36	22272-000050	1	Circlip	80	08-739	2	Set Screw 5/16"-24x5/8"
37	1601	1	Cotter Pin 1/16"x1/2"	81	08-731	1	Adapter-Fan
38	119620-66820	1	Joint	82	08-737	1	Fan-Radiator
39	22360-060000	1	Snap Ring	83	1200	4	Lockwasher 1/4"
40	1857	2	Hex Nut 5mm	84	08-402	1	Shaft Assy -Coupling
41	02-281	1	Solenoid-Fuel Shut Off	85	119621-21680	1	Bolt 12mmx1 25
42	1834	4	Bolt 6mm-1.0x12mm	86	119620-21941	1	Washer
43	08-432	1	Throttle Cable Assy	87	08-747	1	Pulley-Crankshaft
44	1110	1	Locknut 1/4"-20				

ENGINE EXHAUST AND AIR CLEANER ASSEMBLY

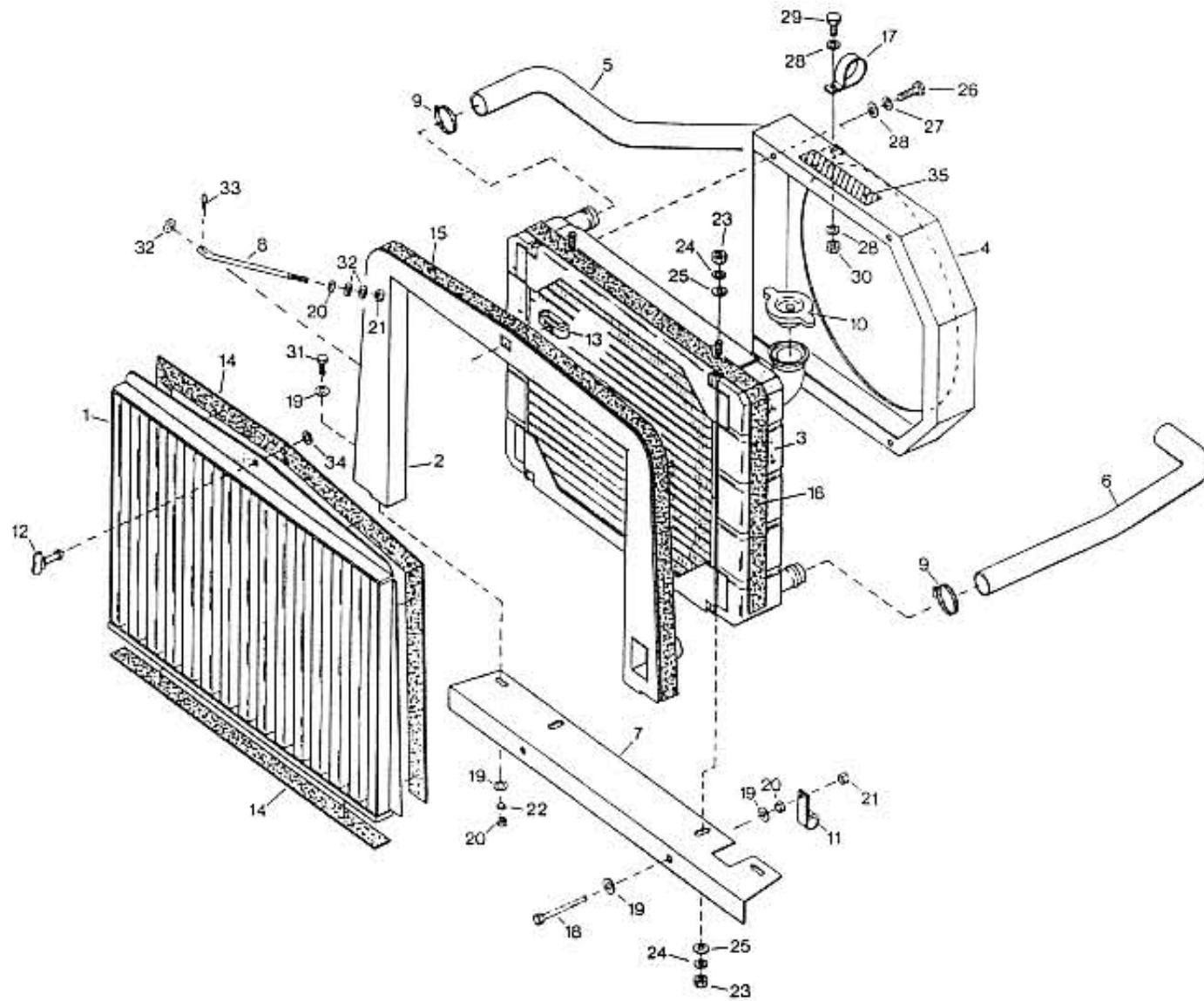


←
FORWARD

Item	Part #	Qty.	Description	Item	Part #	Qty.	Description
1	08-346	1	Muffler	12	08-349	1	Hose-Engine Air Intake
2	124701-11910	1	Gasket-Muffler	13	04-038	2	Hose Clamp 2 1/4"
3	1988	4	Hexnut 8mm-1.25	14	04-251	2	Clamp 2"
4	1201	4	Lockwasher 5/16"	15	119860-12560*	1	Seal Washer
5	1110	3	Locknut 1/4"-20	16	119860-12550*	1	Wing Bolt
6	1220	4	Flatwasher 1/4"	17	08-407	1	Clamp-Air Filter
7	1003	2	Bolt 1/4"-20x1"	18	1000	1	Bolt 1/4"-20x3/4"
8	08-386	1	Intake Hose-Flex	19	1056	6	Flatwasher 1/4" SAE
9	119688-12540*	1	Case Assy	20	08-411	4	Grommet
10	119860-12510*	1	Filter Element	21	1003	4	Bolt 1/4"-20x1"
11	00-037	1	Decal "Ether"	22	00-132	28"	Weatherstripping 1/4"x3/4"

*Can be purchased through Complete Assy. #119688-12500

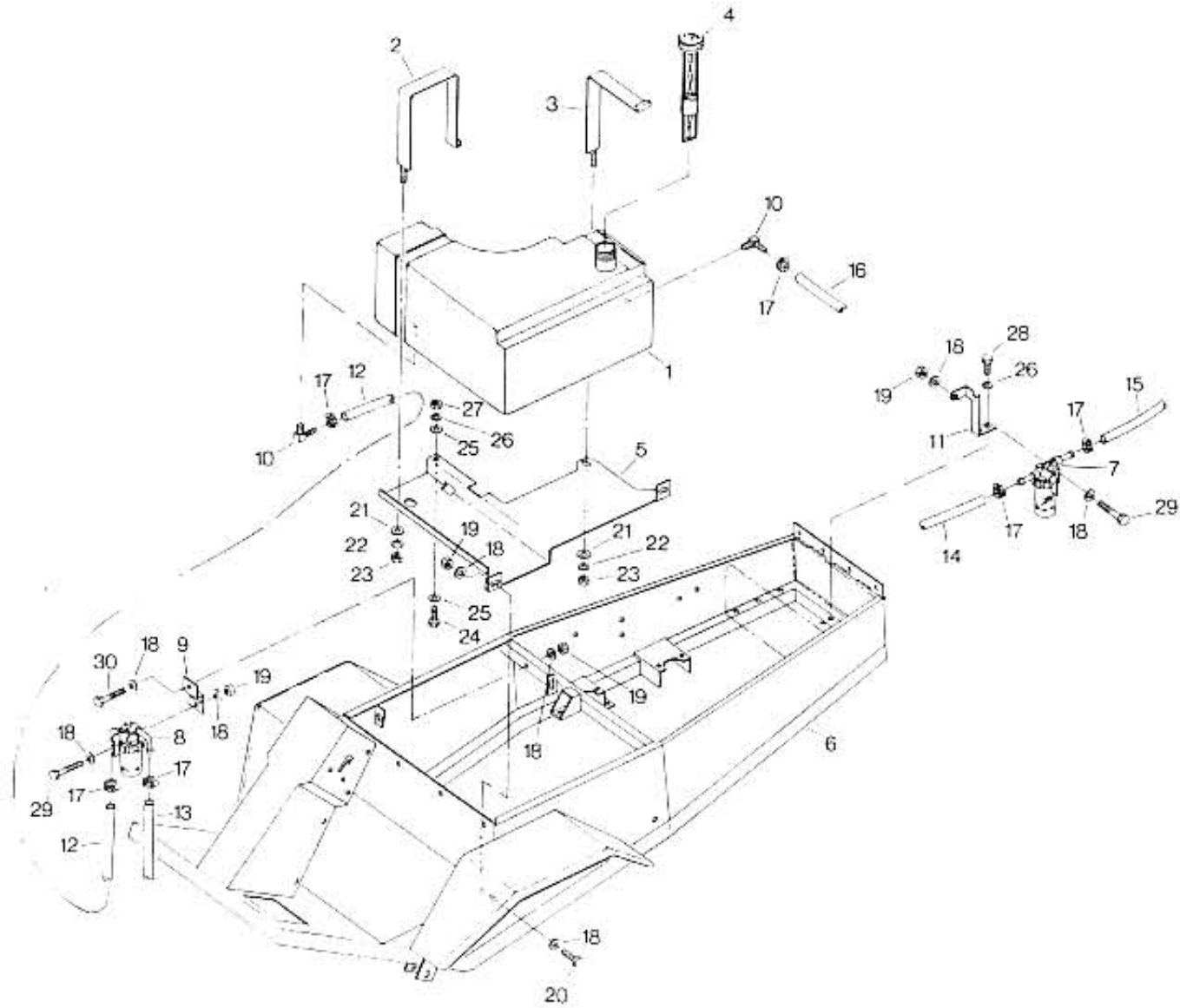
RADIATOR COMPONENTS ASSEMBLY



←
FORWARD

Item	Part #	Qty.	Description	Item	Part #	Qty.	Description
1	08-355	1	Screen Frame Assy	18	1803	2	Bolt 5/16"-18x1 3/4"
2	08-383	1	Mount Brace Assy -Radiator	19	2044	8	Flatwasher 5/16" SAE
3	08-331	1	Radiator	20	1102	5	Hexnut 5/16"-18
4	08-732	1	Fan Shroud	21	1111	3	Locknut 5/16-18
5	08-348	1	Radiator Hose-Top	22	1201	2	Lockwasher 5/16"
6	08-389	1	Radiator Hose-Lower	23	1103	4	Hexnut 3/8"-16
7	08-410	1	Mount Bracket-Radiator	24	1202	4	Lockwasher 3/8"
8	08-510	1	Support Rod	25	1222	4	Flatwasher 3/8"
9	05-120	4	Hose Clamp	26	1016	4	Bolt 1/4"-20x1/2"
10	06-024	1	Radiator Cap	27	1200	4	Lockwasher 1/4"
11	05-097	2	Clamp-Wing Harness	28	1056	6	Flatwasher 1/4" SAE
12	2099	1	Wing Stud	29	1000	1	Bolt 1/4"-20x3/4"
13	2100	1	Receptacle	30	1110	1	Locknut 1/4"-20
14	00-083	1	Weatherstrip 1/8"x1" (72")	31	1020	2	Bolt 5/16"-18x3/4"
15	00-083	1	Weatherstrip 1/8"x1" (52")	32	1221	3	Flatwasher 5/16"
16	00-083	1	Weatherstrip 1/8"x1" (45 1/2")	33	1600	1	Cotter Pin 3/32"x1"
17	04-141	1	Clamp	34	2101	1	Stud Retainer
				35	00-036	1	Decal "Rotating Blades"

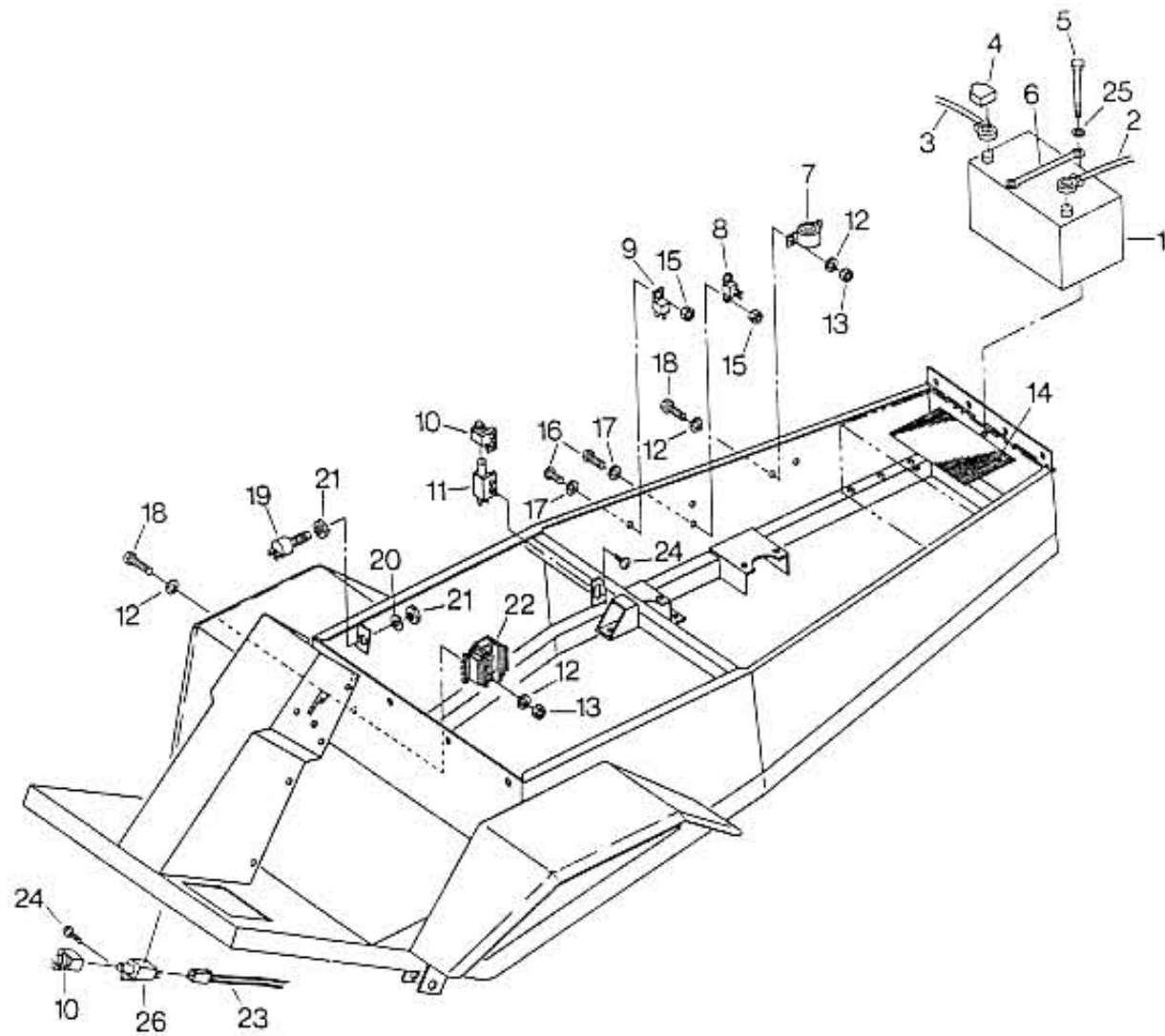
FUEL SYSTEM



←
FORWARD

Item	Part #	Qty.	Description	Item	Part #	Qty.	Description
1	08-603	1	Fuel Tank-Plastic	13	03-705	1	Fuel Hose-1/4" I.D. (Fuel/Water Separator to Fuel Pump) (38")
2	08-606	1	Tank Strap-Front	14	03-705	1	Fuel Hose-1/4" I.D. (Fuel Pump to Fuel Filter) (7")
3	08-607	1	Tank Strap-Side	15	03-705	1	Fuel Hose-1/4" I.D. (Fuel Filter to Injector Pump) (15")
4	08-709	1	Cap/Gauge-Fuel	16	03-705	1	Fuel Hose-1/4" I.D. (Injector Return Line) (40")
5	08-605	1	Support-Tank	17	04-082	10	Hose Clamp
6	08-387	1	Frame Assembly (Serial #'s 4E4-0321 and under)	18	2044	10	Flatwasher 5/16" SAE
	08-631	1	Frame Assembly (Serial #'s 4E4-0322 through 4E4-0360)	19	1111	5	Locknut 5/16-18
	08-656	1	Frame Assembly (Serial #'s 4E4-0361 and above)	20	1020	2	Bolt 5/16"-18x3/4"
7	121254-55600	1	Filter Assy -Fuel	21	1769	2	Flatwasher-3/8" SAE
	124550-55700	1	Filter Element	22	1202	2	Lockwasher 3/8"
8	129335-55700	1	Separator-Fuel/Water	23	1103	2	Hexnut 3/8"-16
	171081-55910	1	Filter Element	24	1000	1	Bolt 1/4"-20x3/4"
9	08-604	1	Mounting Bracket-Separator	25	1056	2	Flatwasher 1/4" SAE
10	03-247	2	Fitting-90°	26	1200	3	Lockwasher 1/4"
11	08-419	1	Mounting Bracket-Fuel Filter	27	1101	1	Hexnut 1/4"-20
12	03-705	1	Fuel Hose-1/4" I.D. (Fuel Tank to Fuel/Water Separator) (24")	28	1003	2	Bolt 1/4"-20x1"
				29	1936	2	Bolt 5/16"-18x2 3/4"
				30	1803	1	Bolt 5/16"-18x1 3/4"

FRAME ELECTRICAL COMPONENTS



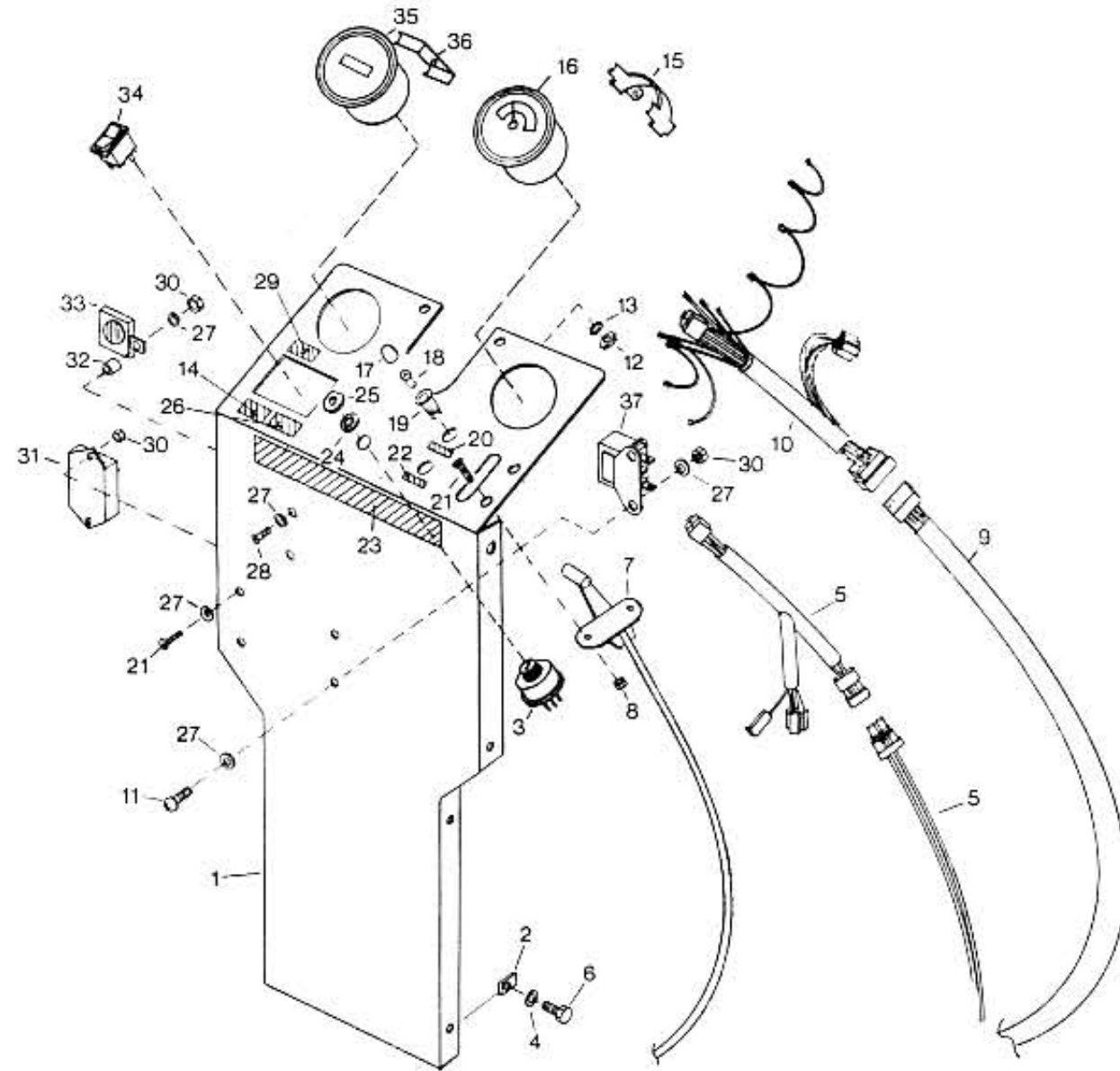

FORWARD

Item	Part #	Qty.	Description	Item	Part #	Qty.	Description
1	5037	1	Battery	17	1887	3	Flatwasher-#10
2	5141	1	Battery Cable-Negative	18	1000	8	Bolt 1/4"-20x3/4"
3	02-178	1	Battery Cable-Positive	19	5018	1	Safety Switch
4	5132R	1	Terminal Cover-Red	20	1798	1	Internal Starwasher
	5132B	1	Terminal Cover-Black	21	1805	2	Hexnut 5/8"-32
5	1809	2	Bolt 1/4"-20x9"	22	119660-77710	1	Rectifier
6	08-052	1	Battery Hold Down	23	02-397*	1	Wire Harness-Cruise
7	02-341	1	Solenoid-Cold Start	24	2058*	6	Self Tapping Screw
8	02-201	1	Circuit Breaker-40 Amp	25	1200	2	Lockwasher 1/4"
9	02-289	1	Relay	26	09-058*	2	Safety Switch
10	02-292*	3	Protective Cover				
11	02-288	1	Safety Switch				
12	1056	8	Flatwasher 1/4" SAE				
13	1110	4	Locknut 1/4"-20				
14	08-188	1	Battery Pad				
15	1775	3	Hexnut 10-32 ESNA				
16	1738	3	Bolt 10-32x1/2"				

*For units w/Cruise Control

NOT SHOWN			
-	02-284	1	Wire Harness-Chasis
-	02-310	1	Ground Strap-Engine to Frame
-	02-311	1	Jumper Wire-Circuit Breaker to Starter
-	02-312	1	Jumper Wire-Starter to Solenoid
-	02-313	1	Jumper Wire-Solenoid to Glow Plugs

INSTRUMENT PANEL ASSEMBLY

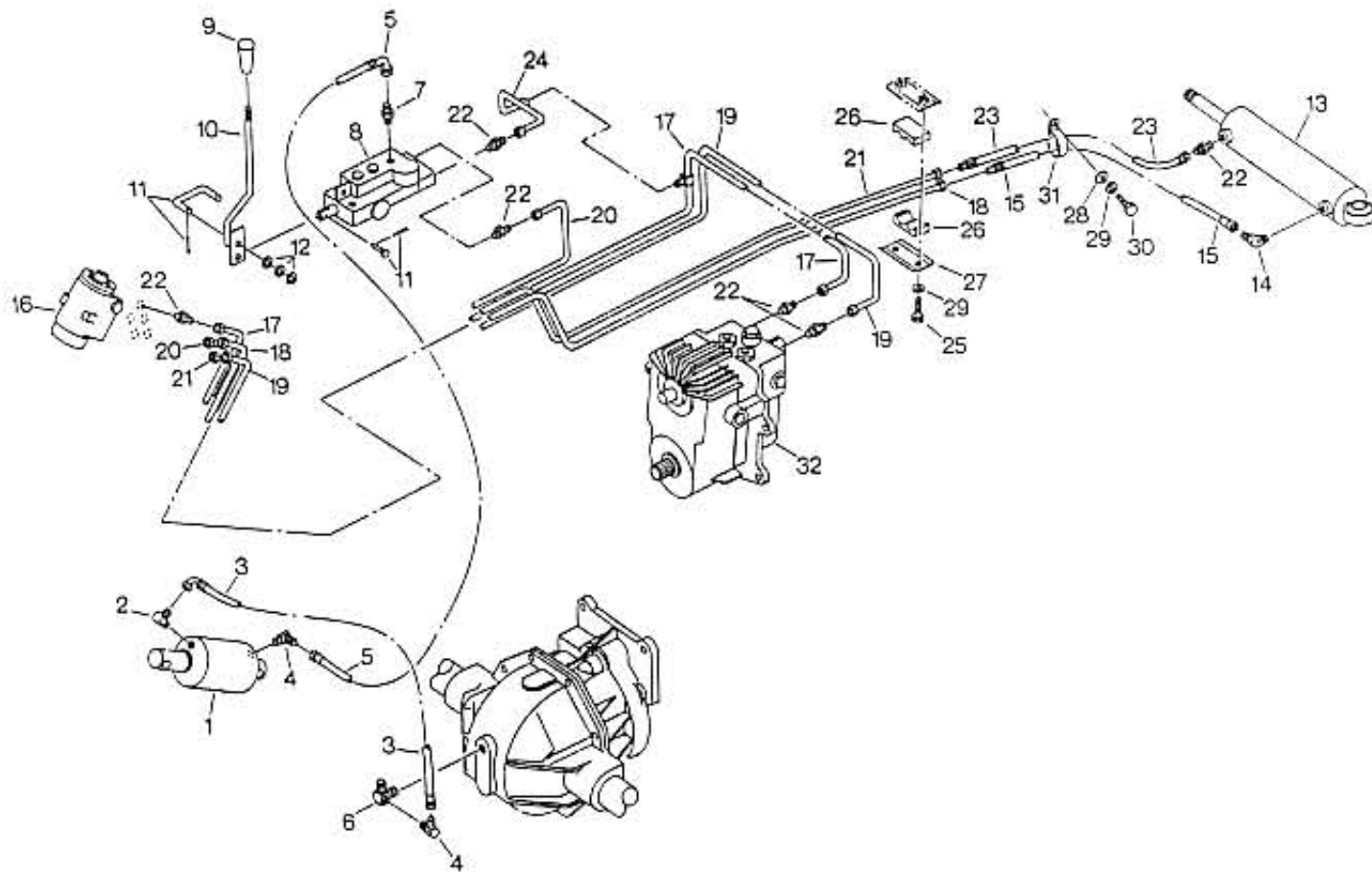


↑
FORWARD

Item	Part #	Qty.	Description	Item	Part #	Qty.	Description
1	08-668	1	Instrument Panel	20	00-130	1	Decal "High Temp"
2	1732	8	"U" Nut 1/4"-20	21	1781	4	Phillips Machine Screw 10-32x3/4"
3	02-074-A	1	Ignition Switch	22	00-131	1	Decal "Oil Pressure"
4	1056	8	Flatwasher 1/4" SAE	23	7029-Y	1	Decal "Never Push"
5	02-397*	1	Wire Harness-Cruise	24	1764	1	Starwasher 9/16"
6	1000	8	Bolt 1/4"-20x3/4"	25	1765	1	Hexnut 9/16"-18
7	08-432	1	Throttle Cable	26	00-129	1	Decal "Cold Start"
8	1998	2	External Lockwasher Keep Nut 10-32	27	1409	10	Flatwasher 3/16"
9	02-284	1	Wire Harness-Chassis	28	1702	2	Round Head Machine Screw 10-32x1 1/4"
10	02-283	1	Wire Harness-Instrument Panel	29	00-183*	1	Decal "Off"
11	1738	2	Phillips Machine Screw 10-32x1/2"	30	1775	6	Locknut 10-32 Nylon
12	1878	2	Hexnut 11/16" Special	31	02-212	1	Time Delay Relay
13	1877	2	Starwasher 11/16"	32	08-227	2	Spacer
14	00-182*	1	Decal "On"	33	02-117	2	Buzzer
15	02-055	1	Gauge Mount Bracket-Ammeter	34	02-134	1	Switch-Cold Start
16	02-053	1	Ammeter	-	02-350*	1	Switch-Cruise Control
17	02-026	2	Red Lens	35	5122	1	Hour Meter
18	02-025	2	Bulb	36	02-179	1	Mount Bracket-Hour Meter
19	02-024	2	Socket	37	06-374*	1	Relay-Cruise Control

*For Units w/Cruise Control

HYDRAULIC SYSTEM STEERING AND DECK LIFT

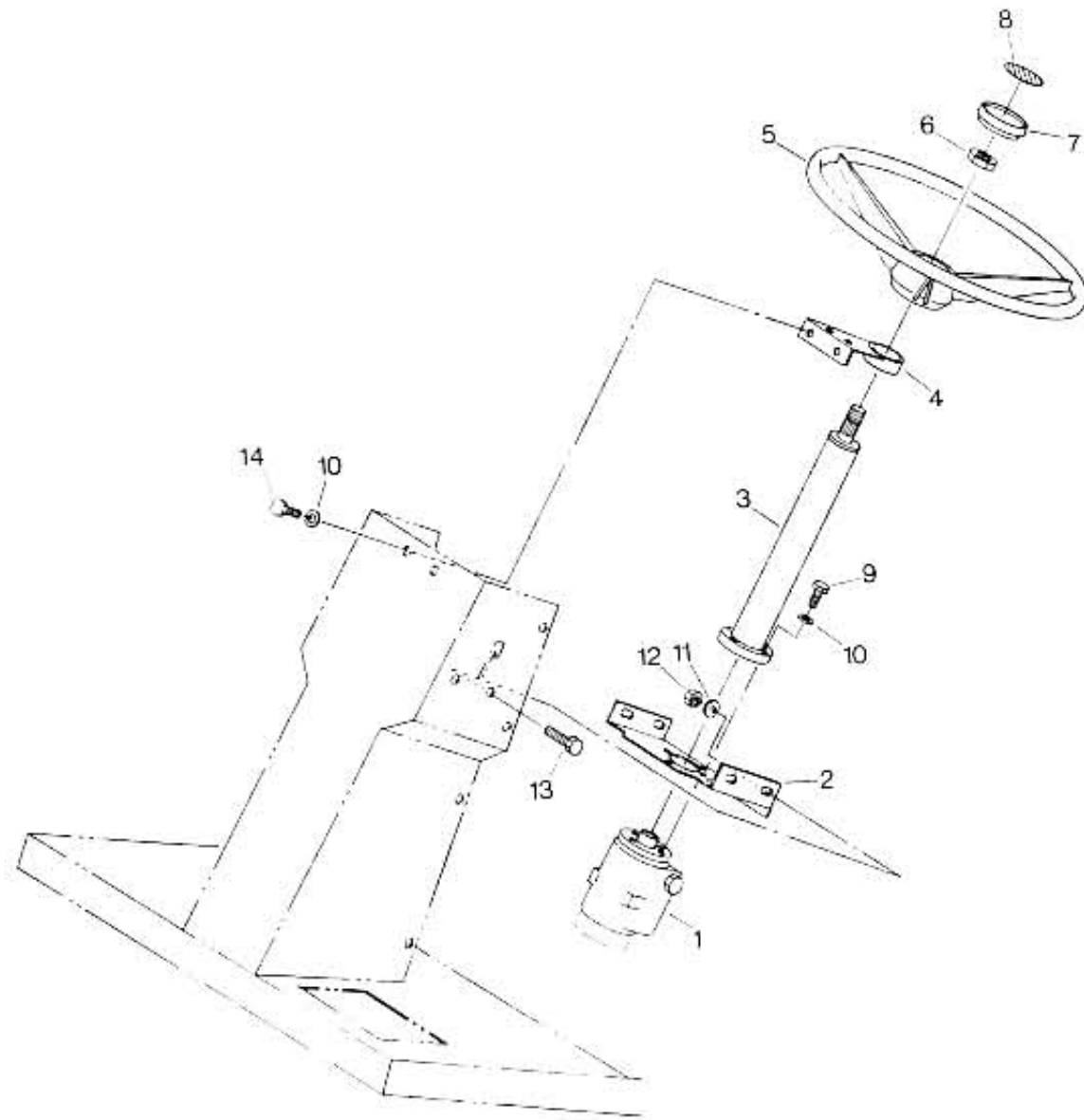


Item	Part #	Qty.	Description	Item	Part #	Qty.	Description
1	13-466	1	Lift Cylinder	-	08-714*	1	Tube-Supply Line
2	13-483	1	Fitting-90°	20	08-641**	1	Tube-Auxiliary
3	13-313	1	Hose-Case Drain	-	08-713*	1	Tube-Auxiliary
4	13-482	2	Fitting-45°	21	08-639**	1	Tube-Power Steering Right
5	13-299	1	Hose-Valve to Cylinder	-	08-711*	1	Tube-Power Steering Right
5	13-405	1	Fitting-90°	22	03-076	10	Fitting-Straight
7	13-323	1	Fitting	23	13-339	1	Hose-Power Steering
8	03-447	1	Control Valve	24	13-717	1	Tube-Valve Out
9	08-179	1	Knob-Valve Handle	25	1019	2	Bolt 1/4"-20x1 3/4"
10	08-633	1	Handle-Valve	26	08-458	2	Clamp-Tube
11	13-023	1	Kit-"C" Hood	27	06-245	1	Bracket-Tube Clamp
12	1056	3-4	Flatwasher 1/4" SAE	28	1056	1	Flatwasher 1/4" SAE
13	13-760	1	Steering-Cylinder	29	1200	3	Lockwasher 1/4"
-	13-778	1	Seal Kit for #13-760	30	1000	1	Bolt 1/4"-20x3/4"
14	03-663	1	Fitting-90°	31	04-141	1	Clamp-Hose
15	13-338	1	Hose-Power Steering	32	13-977	1	Transmission
16	13-948	1	Steering Valve				
-	23-003	1	Seal Kit for #13-948				
17	08-640**	1	Tube-Case Drain				
-	08-712*	1	Tube-Case Drain				
18	08-638**	1	Tube-Power Steering Left				
-	08-710*	1	Tube-Power Steering Left				
19	08-642**	1	Tube-Supply Line				

***For Units With Serial #'s**
 4E4-0268 Through 4E4-0271
 4E4-0273 Through 4E4-0275
 4E4-0279
 4E4-0281 Through 4E4-0314
****For Units With Serial #'s**
 4E4-0315 And Up


 FORWARD

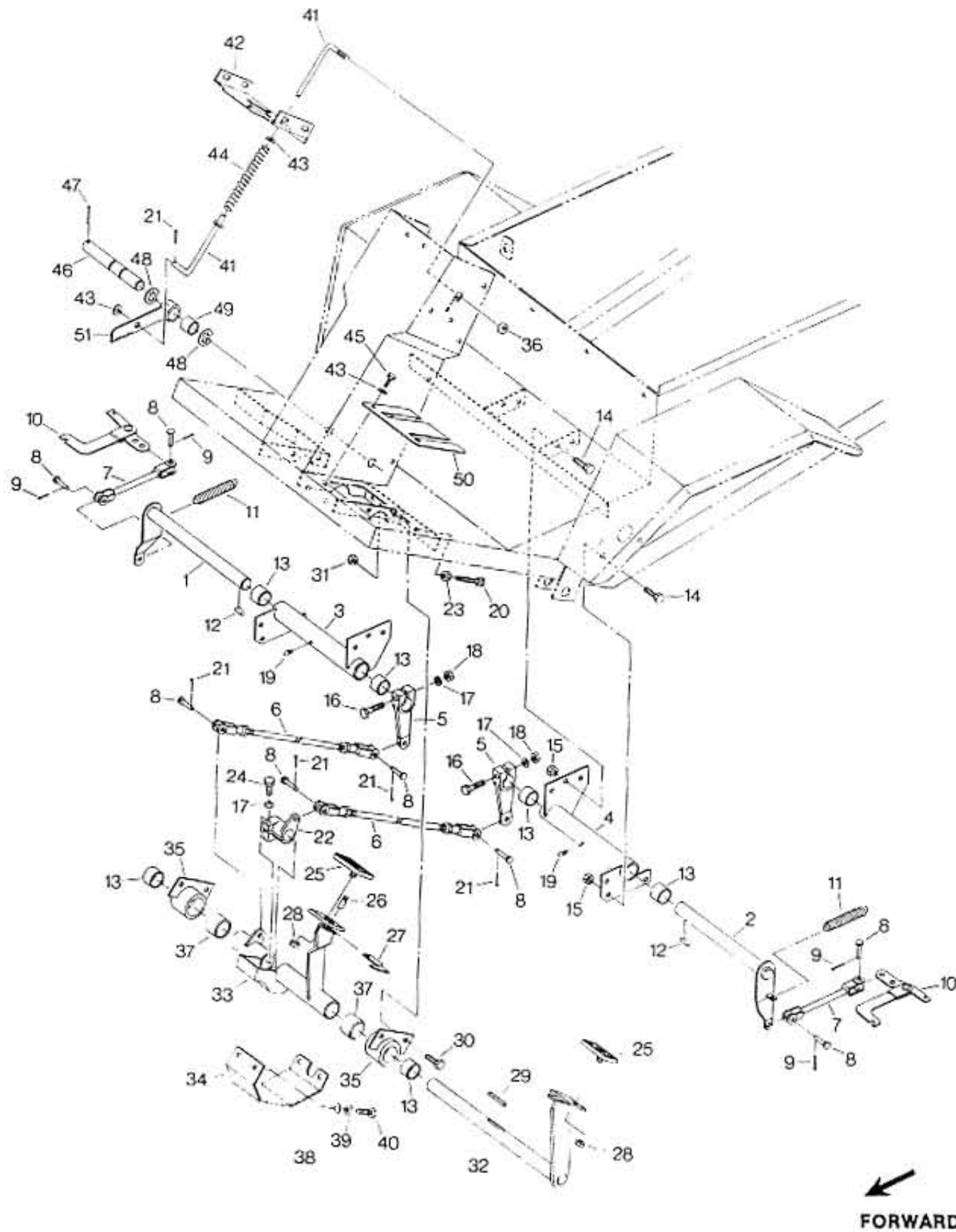
STEERING COLUMN / VALVE ASSEMBLY



←
FORWARD

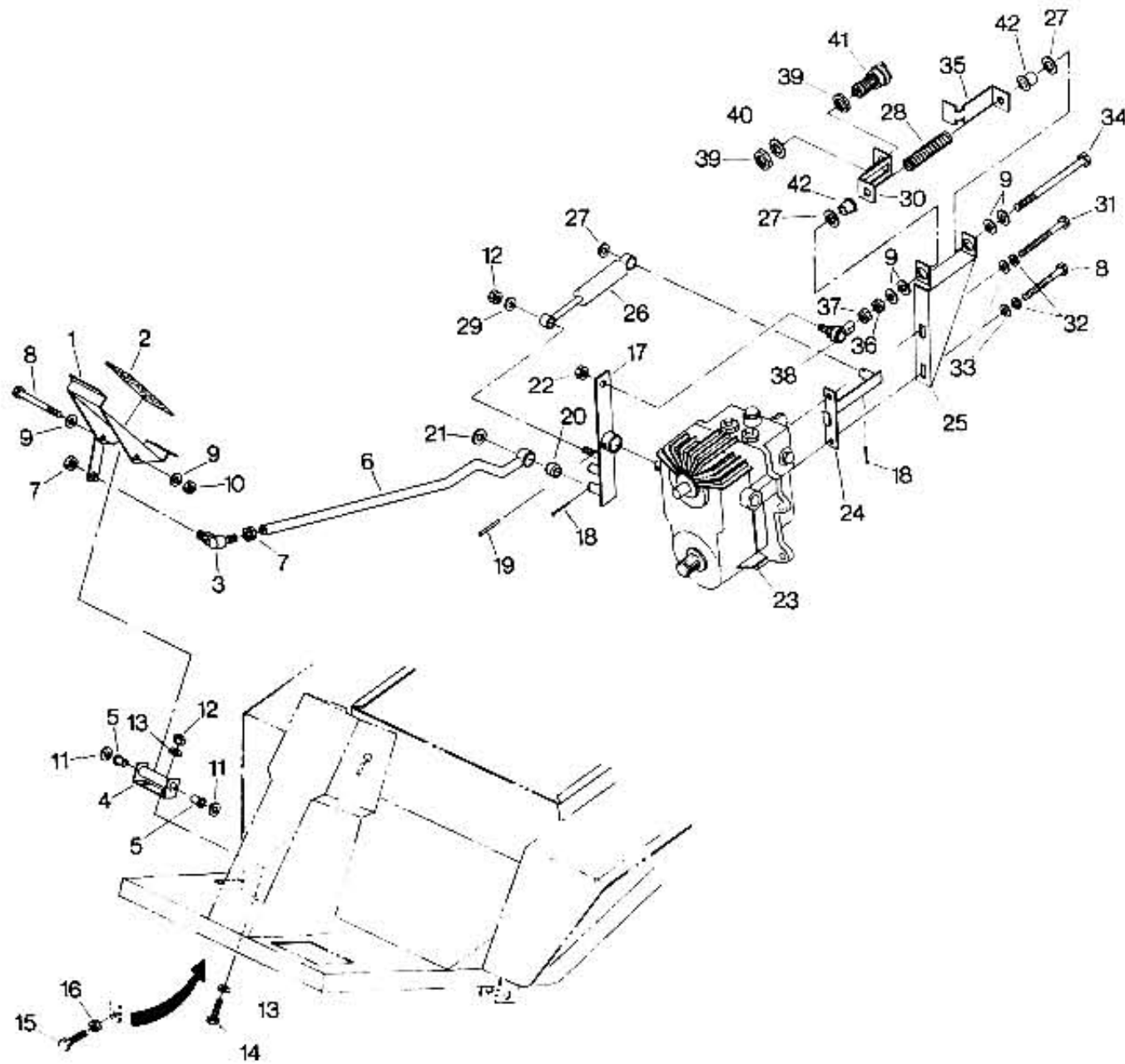
Item	Part #	Qty.	Description	Item	Part #	Qty.	Description
1	13-948	1	Steering Valve	7	05-144	1	Cap-Steering Wheel
-	23-003	1	Seal Kit for #13-948	8	00-411	1	Decal "HPTE LOGO"
2	08-673	1	Mount Bracket-Power Steering Valve	9	2173	4	Bolt 6mm-1.0x20mm
3	13-705	1	Steering Column	10	1200	6	Lockwasher 1/4"
4	08-632	1	Support Bracket-Steering Column	11	1221	4	Flatwasher 5/16"
5	05-125	1	Steering Wheel	12	1111	4	Locknut 5/16-18
6	2171	1	Jam Nut 16-1.5	13	1020	4	Bolt 5/16"-18x3/4"
				14	1000	2	Bolt 1/4"-20x3/4"

BRAKE / EMERGENCY BRAKE LINKAGE



Item	Part #	Qty.	Description	Item	Part #	Qty.	Description
1	08-655	1	Intermediate Shaft Assy (R H Brake)	24	1824	1	Bolt 3/8"-16x1 1/4"
2	08-654	1	Intermediate Shaft Assy (L H Brake)	25	5276	2	Pad-Brake Pedal
3	08-661	1	Tube Assy -Intermediate Shaft (R H Brake)	26	08-671	1	Groove Pin 1/4"x3/4"
4	08-660	1	Tube Assy -Intermediate Shaft (L H Brake)	27	08-666	1	Latch Plate-Park Brake
5	08-657	2	Lever-Intermediate Shaft	28	1603	2	Locknut 3/8"-24 ESNA
6	08-658	2	Link Assy -Pedal to Intermediate Shaft	29	08-662	1	Key-Brake Shaft
-	08-686	1	Link Rod Only	30	1957	4	Bolt 3/8"-16x1"
-	2092	2	Jam Nut Only 5/16"-24	31	1112	4	Locknut 3/8"-16
-	09-148	2	Yoke Assy. Only (For units w/o Cruise)	32	08-653	1	Cross Shaft Assembly (L H Brake)
-	08-675	2	Yoke Assy. Only (For units with Cruise)	33	08-652	1	Cross Tube Assembly (R H Brake)
7	08-659	2	Link Assy -Intermediate Shaft to Axle Brake	34	08-672	1	Cover-Brake Shafts
8	2064	8	Clevis Pin 5/16"x 94	35	08-650	2	Support-Brake Shaft/Tube Assy
9	2075	4	Cotter Pin 3/32"x1/2"	36	05-127	1	Knob
10	6126	2	Brake Lever Assembly	37	08-670	2	Bushing
11	4114	2	Spring	38	1221	4	Flatwasher 5/16"
12	08-674	2	Woodruff Key 3/16"x7/8"	39	1201	4	Lockwasher 5/16"
13	08-669	6	Bushing	40	1213	4	Bolt 5/16"-18x1
14	1020	12	Bolt 5/16"-18x3/4"	41	08-665	1	Rod-Parking Brake
15	1111	12	Locknut 5/16-18	42	08-673	1	Mount Bracket-Power Steering Valve
16	1507	2	Bolt 3/8"-16x2"	43	1056	4	Flatwasher 1/4" SAE
17	1202	3	Lockwasher 3/8"	44	09-278	1	Spring
18	1103	2	Hexnut 3/8"-16	45	1945	2	Bolt 1/4"-20x3/4" Self Tapping
19	1500	2	Grease Fitting	46	08-664	1	Shaft-Parking Brake
20	2234	2	Bolt 5/16"-18x3" Full Thread	47	1794	1	Roll Pin 1/4"x1 1/4"
21	1600	5	Cotter Pin 3/32"x1"	48	09-141	2	Retaining Ring-5/8"
22	08-649	1	Lever-Brake Shaft	49	4122	1	Bushing
23	1102	2	Hexnut 5/16"-18	50	08-667	1	Cover Plate-Brake Levers
				51	08-663	1	Parking Brake

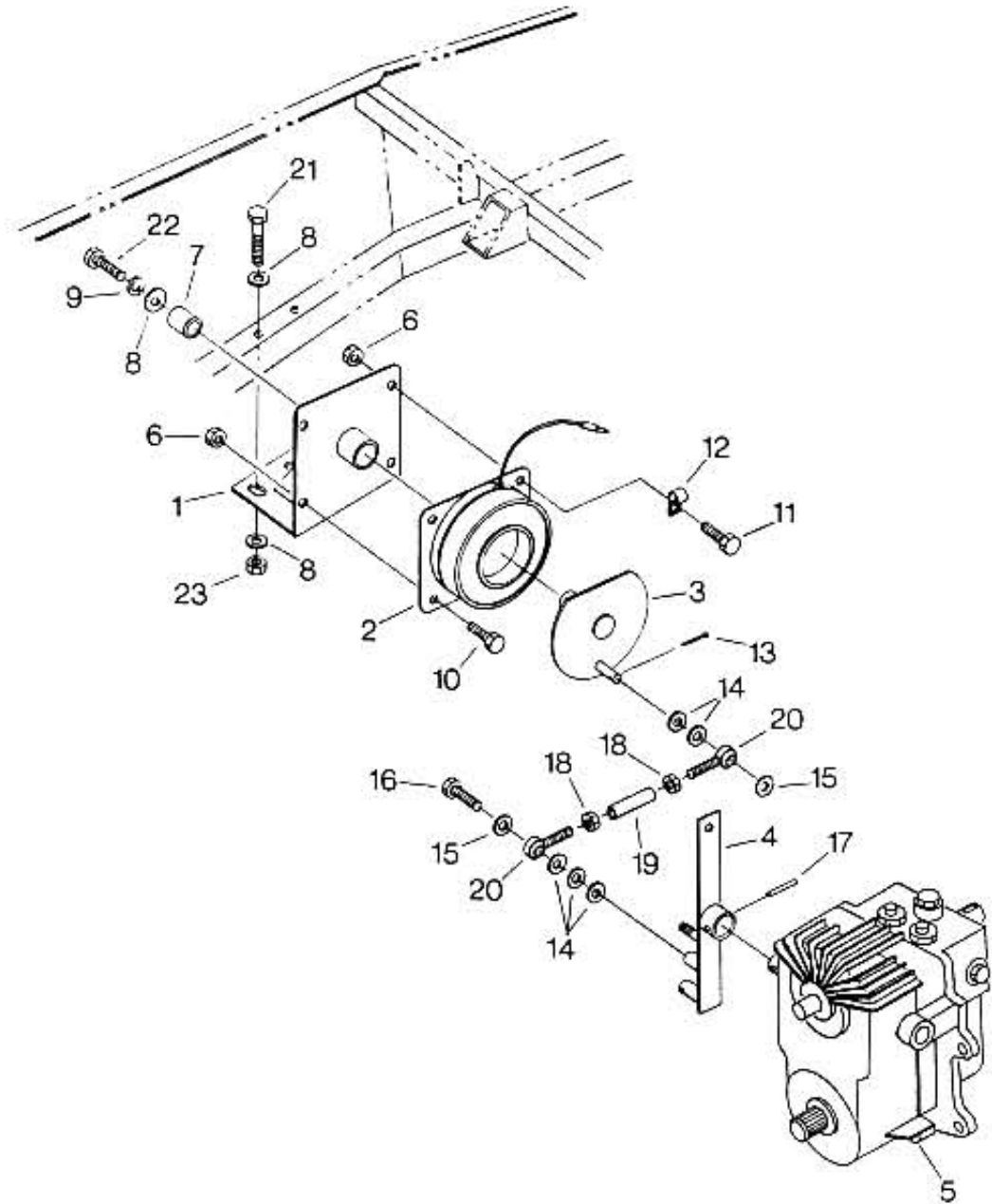
TRACTION CONTROL LINKAGE



←
FORWARD

Item	Part #	Qty.	Description	Item	Part #	Qty.	Description
1	08-364	1	Pedal Assy.	22	1603	1	Locknut 3/8"-24 ESNA
2	00-048	1	Anti-Skid 4"x10"	23	13-977	1	Transmission
3	04-146	1	Ball Joint 9/16"-18	24	08-413	1	Mount Brkt.-Shock
4	08-034	1	Pedal Brkt.-Trans.	25	08-038	1	Brkt.-Spring Centering
5	08-102	2	Bushing	26	08-467	1	Shock Absorber
6	08-373	1	Linkage Rod-Trans	27	1218	3	Machine Bushing 5/8"
7	1108	2	Jam Nut 9/16"-18	28	08-103	1	Spring
8	1854	2	Bolt 3/8"-16x5 1/4"	29	1221	1	Flatwasher 5/16"
9	1769	6	Flatwasher-3/8" SAE	30	08-039	1	Mnt. Brkt.-Neutral Switch
10	1112	1	Locknut 3/8"-16	31	1892	1	Bolt 3/8"-16x6"
11	1769	2	Flatwasher-3/8" SAE	32	1202	2	Lockwasher 3/8"
12	1111	3	Locknut 5/16"-18	33	1222	2	Flatwasher 3/8"
13	2044	4	Flatwasher 5/16" SAE	34	1810	1	Bolt 3/8"-24x6 1/2"
14	1020	2	Bolt 5/16"-18x3/4"	35	08-040	1	Oper. Tab-Neutral Switch
15	1022	1	Bolt 5/16"-18x1 1/4"	36	1816	1	Half Locknut 3/8"-24 ESNA
16	1102	1	Hexnut 5/16"-18	37	1849	1	Half Nut 3/8"-24
17	08-719	1	Lever-Hydro	38	08-117	1	Ball Joint
18	1605	2	Cotter Pin 1/8"x1"	39	1805	2	Hex Nut 5/8"-32
19	1131	1	Roll Pin 1/4"x1"	40	1798	1	Starwasher-5/8" Internal
20	04-247	1	Rubber Bushing	41	5018	1	Safety Switch-Neutral
21	1223	1	Flatwasher 1/2"	42	08-102	2	Bushing

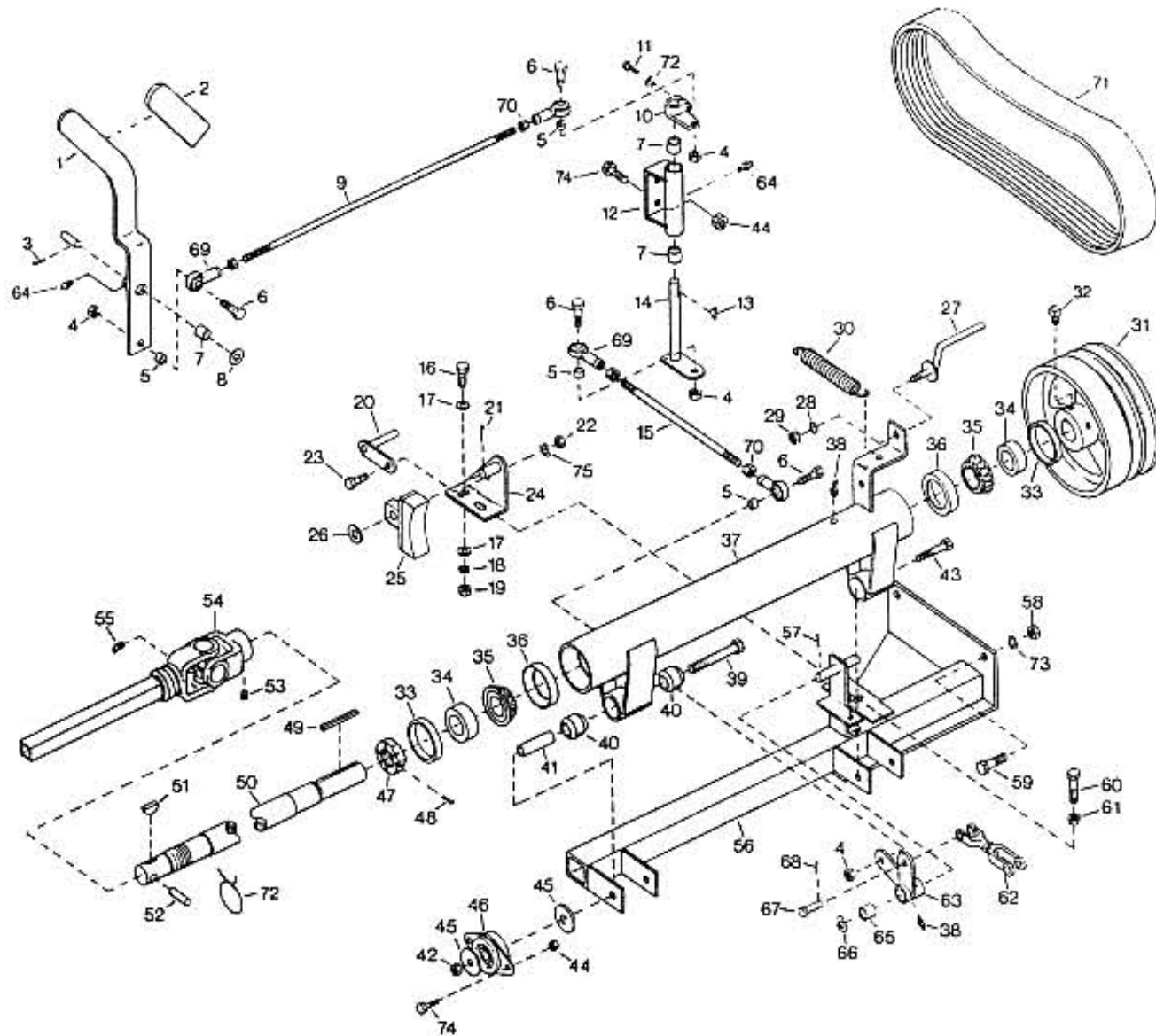
CRUISE CONTROL LINKAGE



←
FORWARD

Item	Part #	Qty.	Description	Item	Part #	Qty.	Description
1	08-718	1	Mount Brkt -Coil Assy	12	05-590	1	Clamp-Wire
2	06-373	1	Coil-Cruise Control	13	1601	1	Cotter Pin 1/16"x1/2"
3	05-463	1	Disk-Cruise Control	14	1220	As Needed	Flatwasher 1/4"
4	08-719	1	Hydro Lever	15	1220	2	Flatwasher 1/4"
5	13-977	1	Transmission	16	1004	1	Bolt 1/4"-20x1 1/4"
6	1101	4	Hexnut 1/4"-20	17	1131	1	Roll Pin 1/4"x1"
7	5069	1	Bushing	18	1856	2	Hexnut 1/4"-28
8	1221	5	Flatwasher 5/16"	19	05-512	1	Link-Cruise Control
9	1201	1	Lockwasher 5/16"	20	06-394	2	Rod End
10	1016	3	Bolt 1/4"-20x1/2"	21	1936	2	Bolt 5/16"-18x2 3/4"
11	1000	1	Bolt 1/4"-20x3/4"	22	1020	1	Bolt 5/16"-18x3/4"
				23	1111	2	Locknut 5/16-18

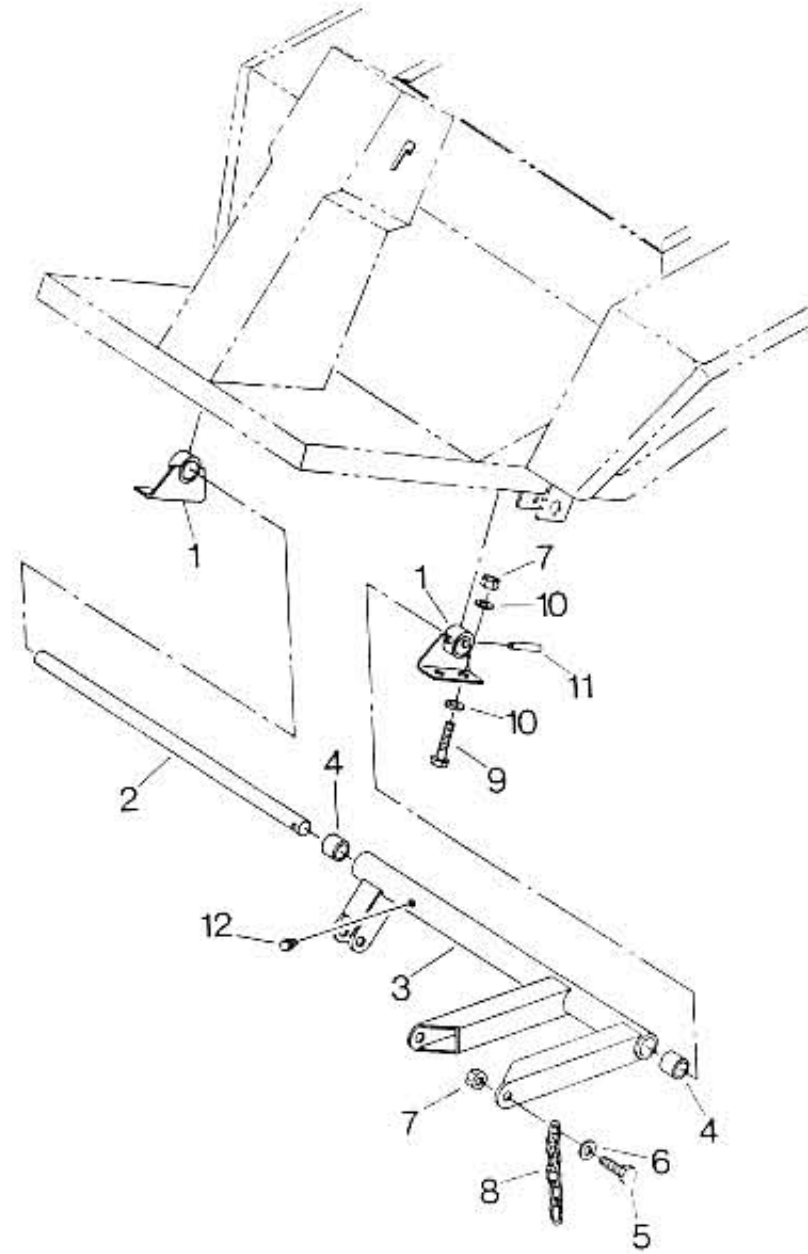
PTO SYSTEM



←
FORWARD

Item	Part #	Qty.	Description	Item	Part #	Qty.	Description
1	08-723	1	PTO Lever Assy.	39	2112	1	Bolt 3/8"-16x4 1/2"
2	05-464	1	PTO Handle Grip	40	04-247	4	Rubber Bushing
3	1863	1	Cotter Pin 1/8"x1"	41	08-354	2	PTO Pivot Bushing
4	1111	4	Locknut 5/16-18	42	1112	2	Locknut 3/8"-16
5	09-128	4	Spacer	43	1611	1	Bolt 3/8"-16x3"
6	1022	4	Bolt 5/16"-18x1 1/4"	44	1111	4	Locknut 5/16-18
7	09-099	4	Bushing	45	2086	2	Flatwasher
8	1231	1	Flatwasher 1/2" SAE	46	08-350	1	Engine Mount
9	08-360	1	Rod Assy. (Includes Ball Joints)	47	1888	2	Nut 1 1/8"-12 Slotted Half Nut
-	08-433	1	Rod-PTO Link	48	1608	1	Cotter Pin
10	09-029	1	Lever	49	2115	1	Key 1/4"x2 3/4"
11	1213	1	Bolt 5/16"-18x1"	50	08-336	1	PTO Shaft
12	08-339	1	PTO Pivot Tube Assy	51	1983	1	Woodruff Key 1/4"x7/8"
13	2057	1	Woodruff Key 1/8"x5/8"	52	1402	1	Roll Pin 5/16"x1 5/8"
14	08-361	1	PTO Belcrank	53	2000	1	Setscrew 3/8-16x3/8 Knurl Point
15	08-363	1	Rod Assy. (Includes Ball Joints)	54	08-435	1	PTO Shaft-Female
-	08-434	1	Rod-PTO Link	-	04-119B	1	PTO Shaft-Male
16	1213	2	Bolt 5/16"-18x1	-	4146	-	U-Joint Repair Kit
17	1220	4	Flatwasher 1/4"	-	08-365	-	Complete Ass'y-PTO Shaft
18	1201	2	Lockwasher 5/16"	55	1501	1	Grease Fitting 45°
19	1102	2	Hexnut 5/16"-18	56	08-338	1	PTO Mnt. Plate Assy
20	08-352	1	Lower Belt Guide	57	1863	1	Cotter Pin 1/8"x1 1/2"
21	1605	1	Cotter Pin 1/8"x1"	58	2113	2	Hexnut, 12mm-1 75
22	1103	1	Hexnut 3/8"-16	59	2114	2	Bolt 12mm-1.75x35mm
23	1957	1	Bolt 3/8"-16x1"	60	1032	1	Bolt 3/8"-16x1 1/2"
24	08-353	1	PTO Brake Mnt. Brkt	61	1103	1	Hexnut 3/8"-16
25	08-341	1	PTO Brake	62	08-362	1	Link-Belcrank to PTO Tube
26	1231	1	Flatwasher 1/2" SAE	63	08-340	1	PTO Belcrank Assy.-Engine
27	05-251	1	Upper Belt Guide	64	09-091	2	Grease Fitting
28	1769	1	Flatwasher-3/8" SAE	65	4197	1	Bushing
29	1112	1	Locknut 3/8"-16	66	1231	1	Flatwasher 1/2" SAE
30	08-412	1	PTO Brake Spring	67	2064	2	Yoke Pin
31	08-335	1	PTO Pulley	68	09-082	2	Rue Clip
32	2109	2	Sq. Head Setscrew 5/16"-18x1"	69	09-143	4	Ball Joint Rod End
33	04-277	2	Shaft Seal	70	2092	5	Jam Nut 5/16"-24
34	05-234	2	Spacer	71	08-408	1	PTO Belt
35	04-275	2	Bearing Cone	72	1845	1	6" Safety Wre
36	04-276	2	Bearing Cup	73	2055	2	Lockwasher 12mm
37	08-337	1	PTO Tube Assy.	74	1020	4	Bolt 5/16"-18x3/4"
38	1502	2	Grease Fitting 90°	75	1222	1	Flatwasher 3/8"

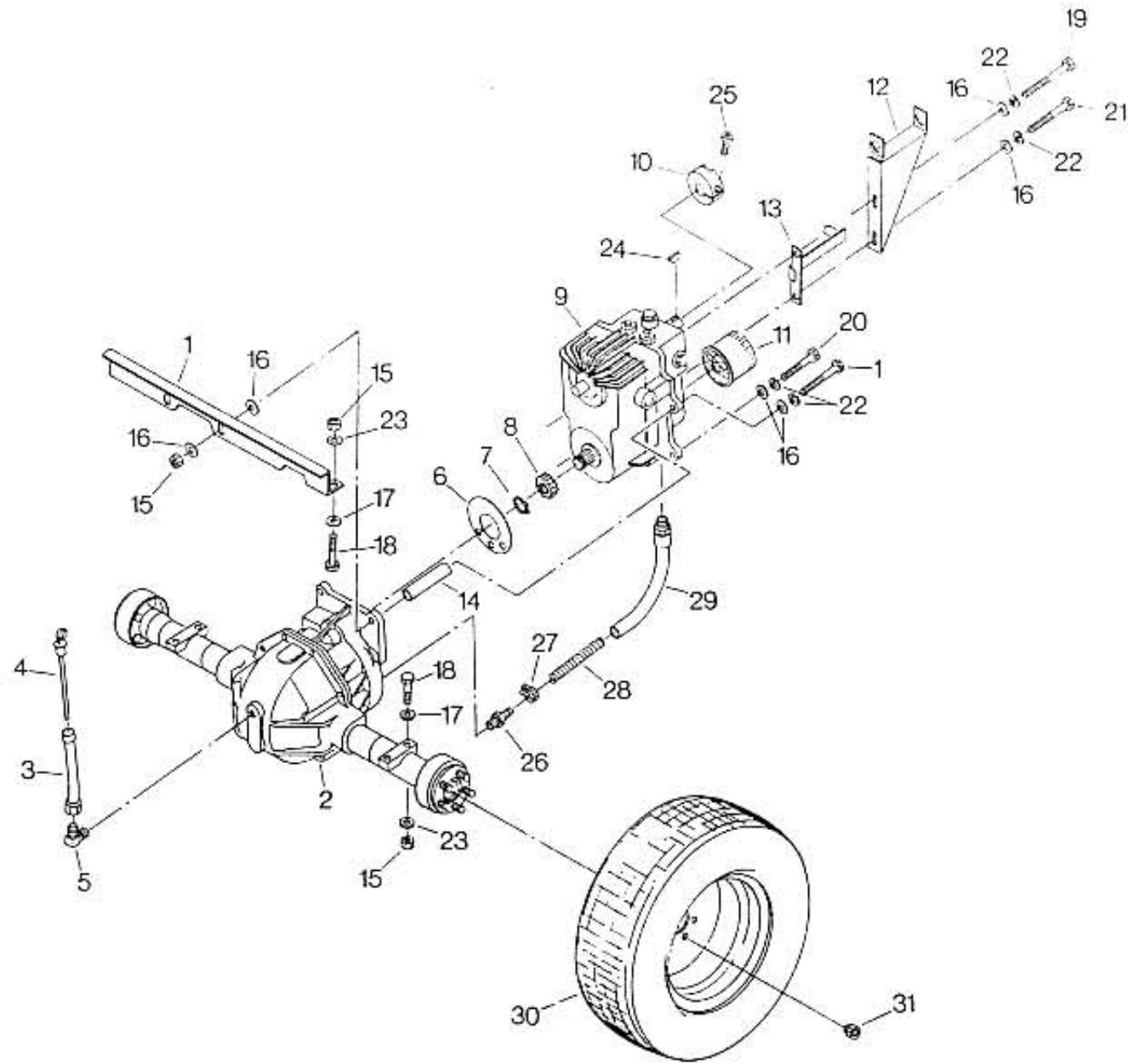
FRONT DECK LIFT ARM ASSEMBLY




FORWARD

Part #	Qty.	Description	Item	Part #	Qty.	Description
08-506	2	Mount Bracket-Lift Assy.	7	1112	6	Locknut 3/8"-16
08-507	1	Lift Bar	8	05-142A	2	Lift Chain-5 Link
08-342	1	Lift Arm Assy.	9	1611	4	Bolt 3/8"-16x3
4121	2	Bushing	10	2079	8	Flatwasher 3/8"
1957	2	Bolt 3/8"-16x1"	11	1926	1	Roll Pin 1/4"x1 1/4"
1222	2	Flatwasher 3/8"	12	1500	1	Grease Fitting-Straight

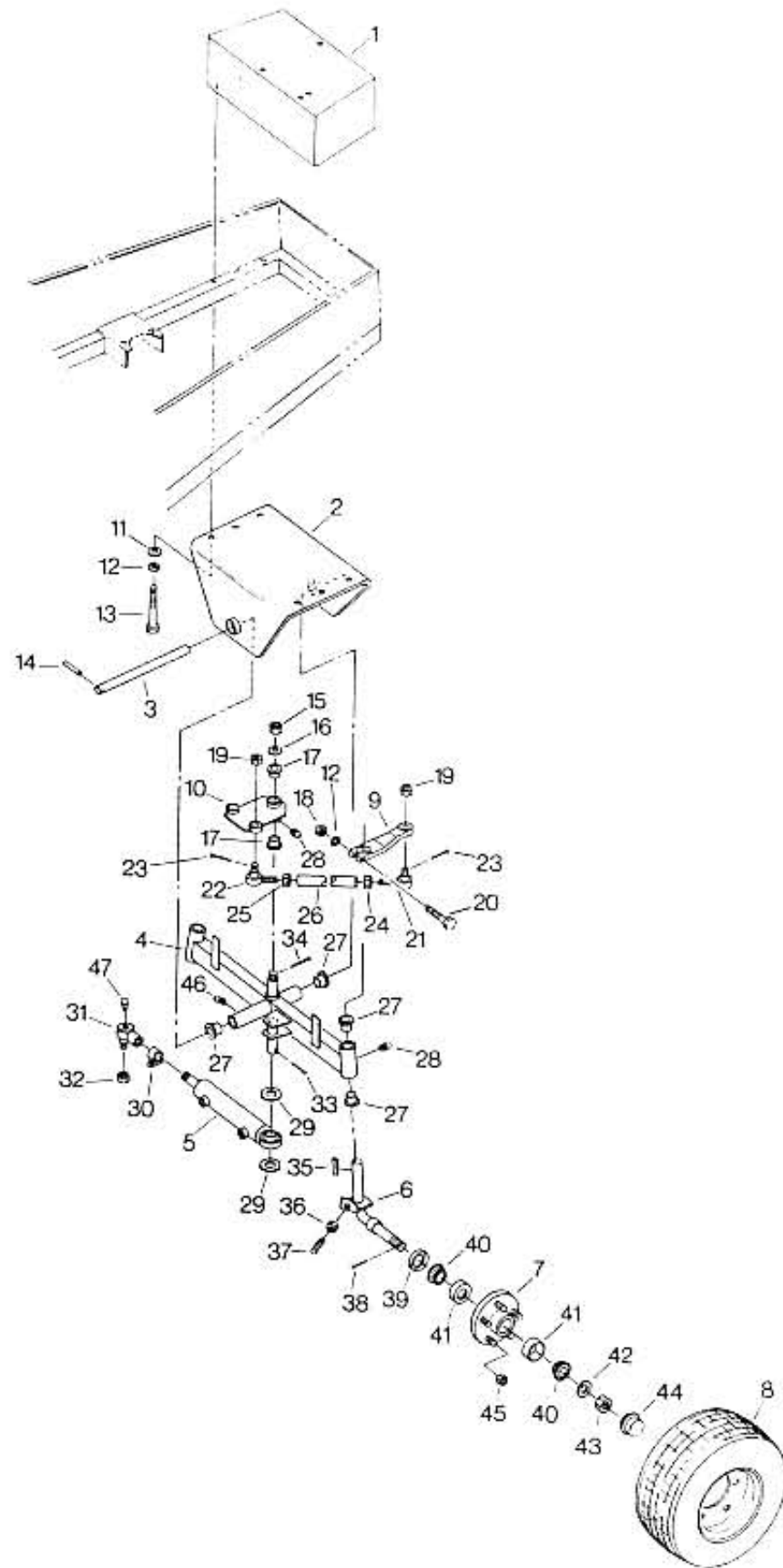
DRIVE AXLE / TRANSMISSION ASSEMBLY



←
FORWARD

Item	Part #	Qty.	Description	Item	Part #	Qty.	Description
1	08-347	1	Support Bar-Transmission	18	1611	6	Bolt 3/8"-16x3"
2	08-677	1	Transaxle Assembly	19	1892	2	Bolt 3/8"-16x6"
3	13-689	1	Filler Tube	20	1958	1	Bolt 3/8"-16x5"
4	13-699	1	Dip Stick	21	1854	1	Bolt 3/8"-16x5 1/4"
5	13-405	1	Fitting-90°	22	1202	4	Lockwasher 3/8"
6	6028	1	Gasket	23	2119	6	Flatwasher 3/8" - Hardened SAE
7	6031	1	Snap Ring	24	6602	1	Woodruff Key 3/16" x 3/4"
8	05-116	1	Gear-Transmission	25	1066	1	Bolt 5/16"-24x1 1/2"
9	13-977	1	Transmission	26	13-947	1	Fitting
10	08-012	1	Coupling Adaptor-Sundstrand	27	6023	1	Clamp-Hose
11	6033	1	Filter-Transmission	28	6071	1	Reinforcement Spring-Hose
12	08-038	1	Spring Containing Bracket	29	6552	1	Hose Assy.
13	08-413	1	Mount Bracket-Hydro Pedal Shock	30	08-070	2	Drive Wheel Assembly
14	6027	4	Spacer	—	08-071	—	Rim Only
15	1112	8	Locknut 3/8"-16	—	08-072	—	Tire Only
16	1222	8	Flatwasher 3/8"	—	08-073	—	Repair Tube
17	2079	6	Flatwasher 3/8" Hardened	31	04-142	10	Lug Nut

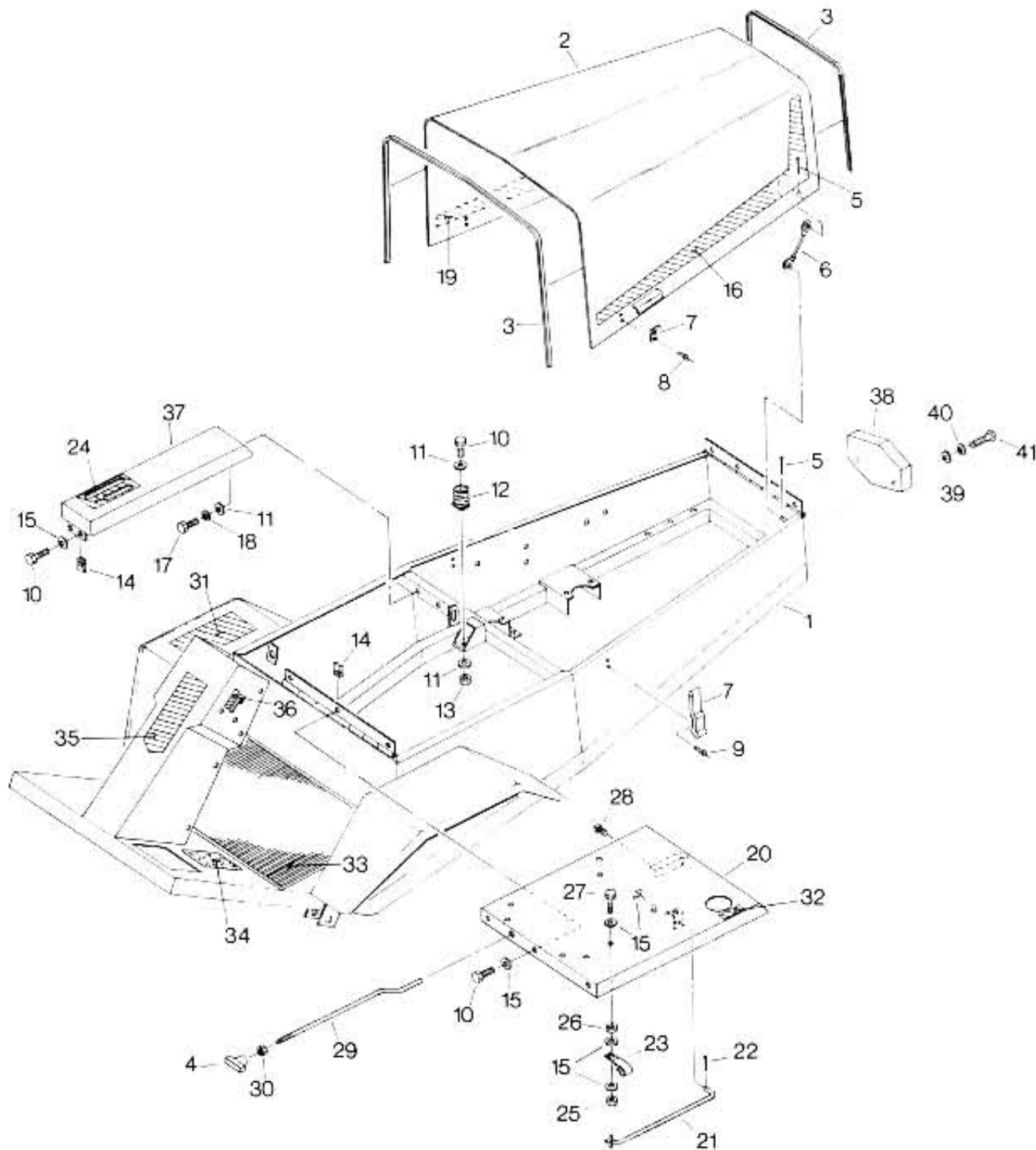
STEERING AXLE ASSEMBLY



←
FORWARD

Item	Part #	Qty.	Description	Item	Part #	Qty.	Description
1	08-425	1	Rear Weight	22	04-243 04-120	2	Ball Joint-Right Hand
2	08-426	1	Rear Yoke Assy.	23	1605	4	Cotter Pin 1/8"x1"
3	08-272	1	Axle Pivot Pin	24	1857	2	Jam Nut 9/16"-18 Left Hand
4	08-730	1	Axle Assembly	25	1108	2	Jam Nut 9/16"-18 Right Hand
5	13-760	1	Cylinder-Steering	26	08-158 08-158	2	Tie Rod
-	13-778	-	Seal Kit for #13-760	27	04-242	6	Bushing
6	08-275	1	Spindle-Left	28	1500	3	Grease Fitting
-	08-345	1	Spindle-Right	29	07-011	2	Flatwasher 1" I.D.
7	04-008	2	Wheel Hub	30	04-012	1	Clamp Assy
8	05-145	2	Rear Wheel Assy.	31	04-109	1	Ball Joint
-	08-160	-	Rim Only	32	1729	1	Nylon Half Nut 5/8"-18"
-	08-109	-	Tire Only	33	1863	2	Cotter Pin 1/8"x1 1/2"
-	08-110	-	Tube	34	1863	1	Cotter Pin 1/8"x1 1/2"
9	08-265	2	Steering Lever	35	1316	2	Key 1/4"x3/4"
10	08-343	1	Bell Crank Assembly	36	1607	2	Jam Nut 1/2"-13
11	1222	6	Flatwasher 3/8"	37	1984	2	Set Screw 1/2"-13x1"
12	1202	8	Lockwasher 3/8"	38	1608	2	Cotter Pin 1/8"x2"
13	1041	6	Bolt 3/8"-16x3 1/2"	39	04-006	2	Seal
14	1794	1	Roll Pin 1/4"x1 1/4"	40	04-165	4	Bearing Cone
15	04-011	1	Castle Nut	41	04-007	4	Bearing Cup
16	1235	1	Flatwasher 3/4" SAE	42	1408	2	Flatwasher 1" SAE
17	04-325	2	Bushing	43	1701	2	Slotted Nut 1"-14
18	1112	2	Locknut 3/8"-16	44	04-107	2	Hub Cap
19	1836	4	Castle Nut 3/8"-24	45	05-148	10	Lug Nut
20	1507	2	Bolt 3/8"-16x2"	46	1502	1	Grease Fitting 90°
21	04-253 04-338	2	Ball Joint-Left Hand	47	09-091	1	Grease Fitting-Straight

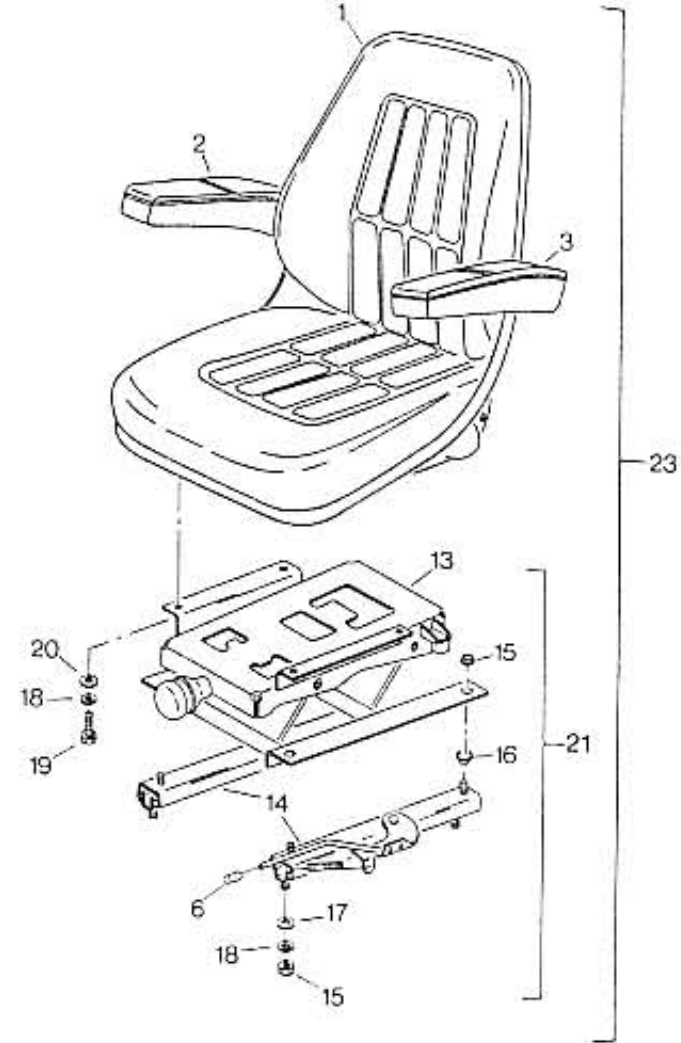
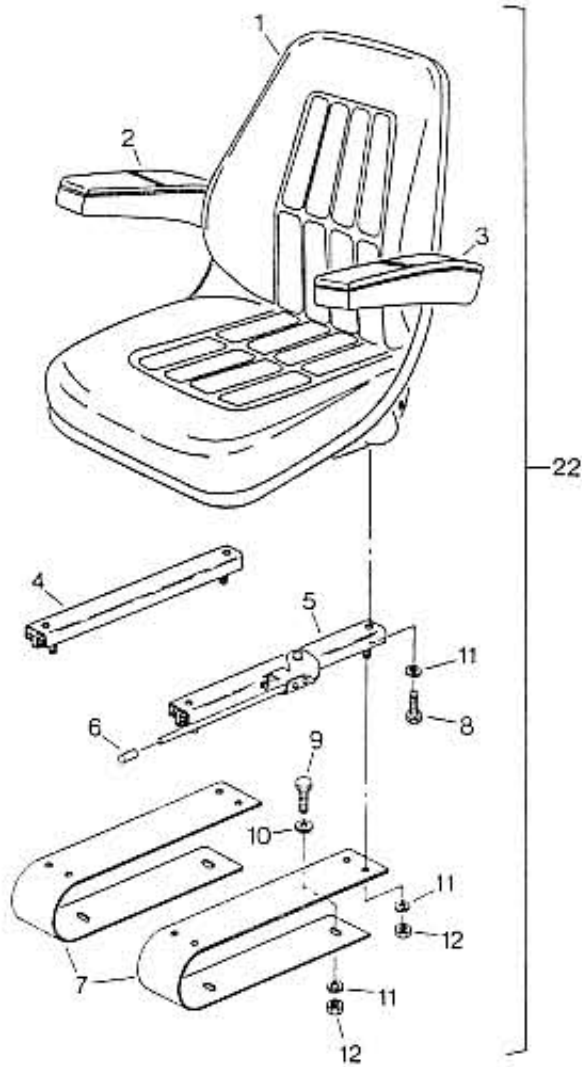
FRAME HOOD / COVERS AND DECALS



←
FORWARD

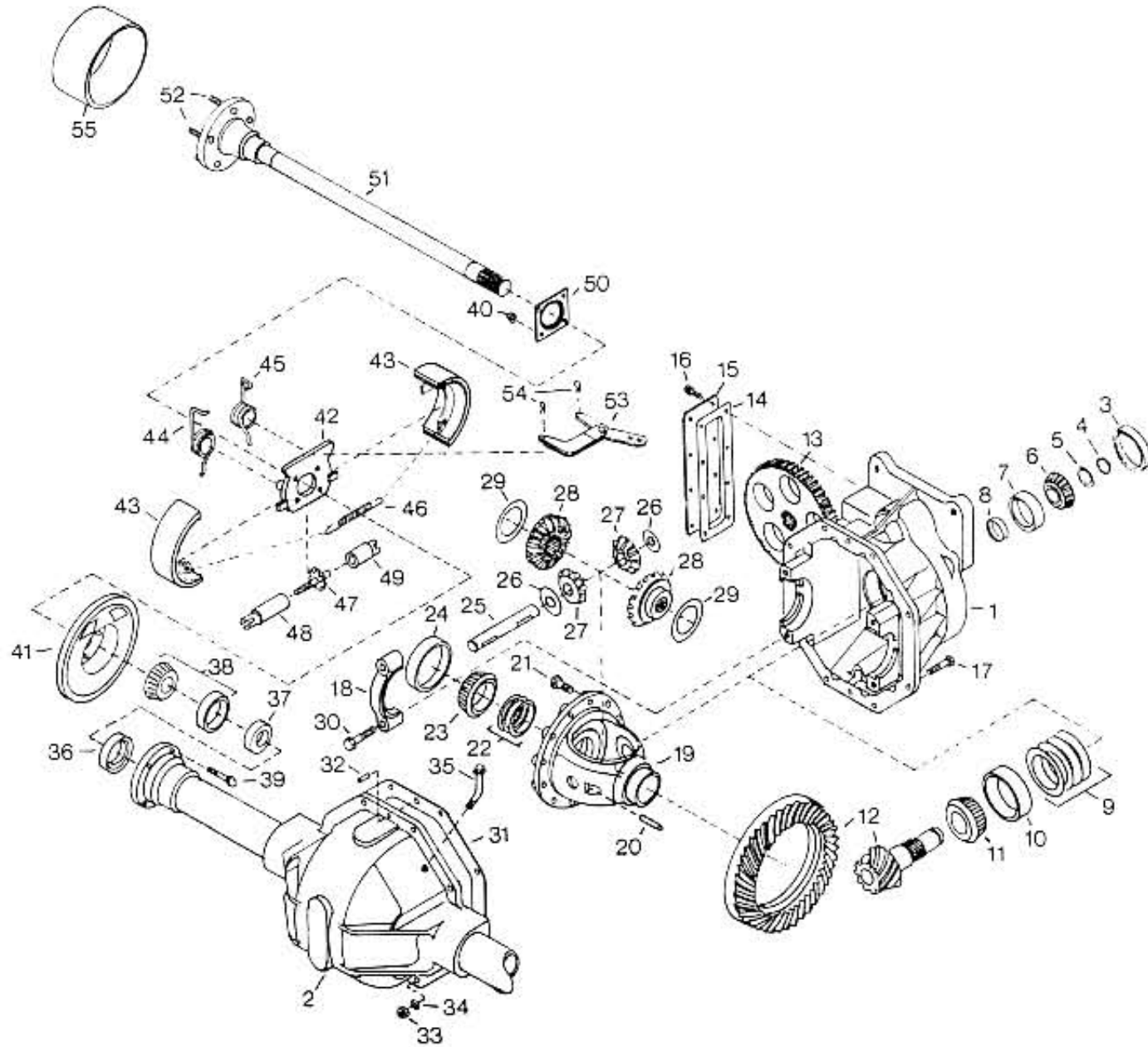
Item	Part #	Qty.	Description	Item	Part #	Qty.	Description
1	08-387	1	Frame Assembly (Serial #'s 4E4-0321 and under)	22	1600	1	Cotter Pin 3/32"x1"
-	08-631	1	Frame Assembly (Serial #'s 4E4-0322 Through 4E4-0360)	23	08-146	1	"J" Clip
-	08-656	1	Frame Assembly (Serial #'s 4E4-0361 and up)	24	00-164	1	Decal-PTO/Lift Valve
2	08-385	1	Hood Assy	25	1111	1	Locknut 5/16"-18
3	08-421	90"	Edge Trim	26	1102	1	Hexnut 5/16"-18
4	08-057	1	"T" Handle	27	1003	1	Bolt 1/4"-20x1"
5	1601	4	Cotter Pin 1/16"x1/2"	28	2011	1	Set Screw 5/16"-18x1/2"-Square Head
6	08-111	2	Cable-Hood Restraint	29	08-056	1	Rod-Cover Latch (Serial #'s 4E4-0321 and under)
7	08-406	2	Latch-Hood to Frame	-	08-636	1	Rod-Cover Latch (Serial #'s 4E4-0322 and above)
8	2111	4	Pop Rivet	30	1101	1	Hexnut 1/4"-20
9	2110	4	Pop Rivet	31	00-634	1	Decal-Operating Instructions
10	1000	6	Bolt 1/4"-20x3/4" Self Tapping	32	00-044	1	Decal "Diesel Fuel"
11	1220	3	Flatwasher 1/4"	33	08-392	1	Floor Mat
12	08-430	1	Seat Spring	34	00-047	1	Anti-Slip Matenal 6"x6"
13	1110	1	Locknut 1/4"-20	35	00-161	1	Decal "530"
14	1732	5	"U" Nut 1/4"-20	36	00-165	1	Decal-Parking Brake Lock (Serial #'s 4E4-0360 and under)
15	1056	9	Flatwasher 1/4" SAE	-	00-635	1	Decal-Parking Brake Lock (Serial #'s 4E4-0361 and above)
16	00-159	1	Decal-Hood (Left)	37	08-418	1	Access Cover Assy. - Filler (Serial #'s 4E4-0321 and under)
17	1945	1	Bolt 1/4"-20x3/4" Self Tapping	-	08-643	1	Access Cover Assy. - Filler (Serial #'s 4E4-0322 and above)
18	1200	1	Lockwasher 1/4"	38	08-177	1	Rear Weight
19	00-160	1	Decal-Hood (Right)	39	1231	2	Flatwasher 1/2" SAE
20	08-384	1	Access Cover Assy. (With Latch) (Serial #'s 4E4-0321 and down)	40	1203	2	Lockwasher 1/2"
-	08-635	1	Access Cover Assy. (With Latch) (Serial #'s 4E4-0322 and above)	41	1889	2	Bolt 1/2"-13x2 3/4"
21	08-066	1	Prop Rod-Access Cover	-	1874	2	Bolt 1/2"-13x4 1/2"

SEAT ASSEMBLY



Item	Part #	Qty.	Description	Item	Part #	Qty.	Description
1	05-431	1	Milsko/Deluxe Seat Cushion Assy	12	1102	8	Hexnut 5/16"-18
2	05-659	1	Armrest Assy. (R.H.)	13	05-432	1	Suspension w/Seat Slides
3	05-658	1	Armrest Assy. (L.H.)	14	05-545	1	Seat Slides
4	08-740	1	Seat Slide	15	1111	8	Locknut 5/16-18
5	08-741	1	Seat Slide w/Handle	16	05-547	4	Spacer
6	08-742	1	Rubber Cap	17	1221	4	Flatwasher 5/16"
7	08-678	2	Seat Spring-Milsko Seat	18	1201	4	Lockwasher 5/16"
8	1020	4	Bolt 5/16"-18x3/4"	19	1020	4	Bolt 5/16"-18x3/4"
9	1213	4	Bolt 5/16"-18x1	20	2044	4	Flatwasher 5/16" SAE
10	1221	4	Flatwasher 5/16"	21	05-432	1	Suspension Assy.
11	1201	8	Lockwasher 5/16"	22	08-743	1	Standard Seat Kit
				23	08-726	1	Deluxe Seat Assy

TRANSAXLE ASSEMBLY

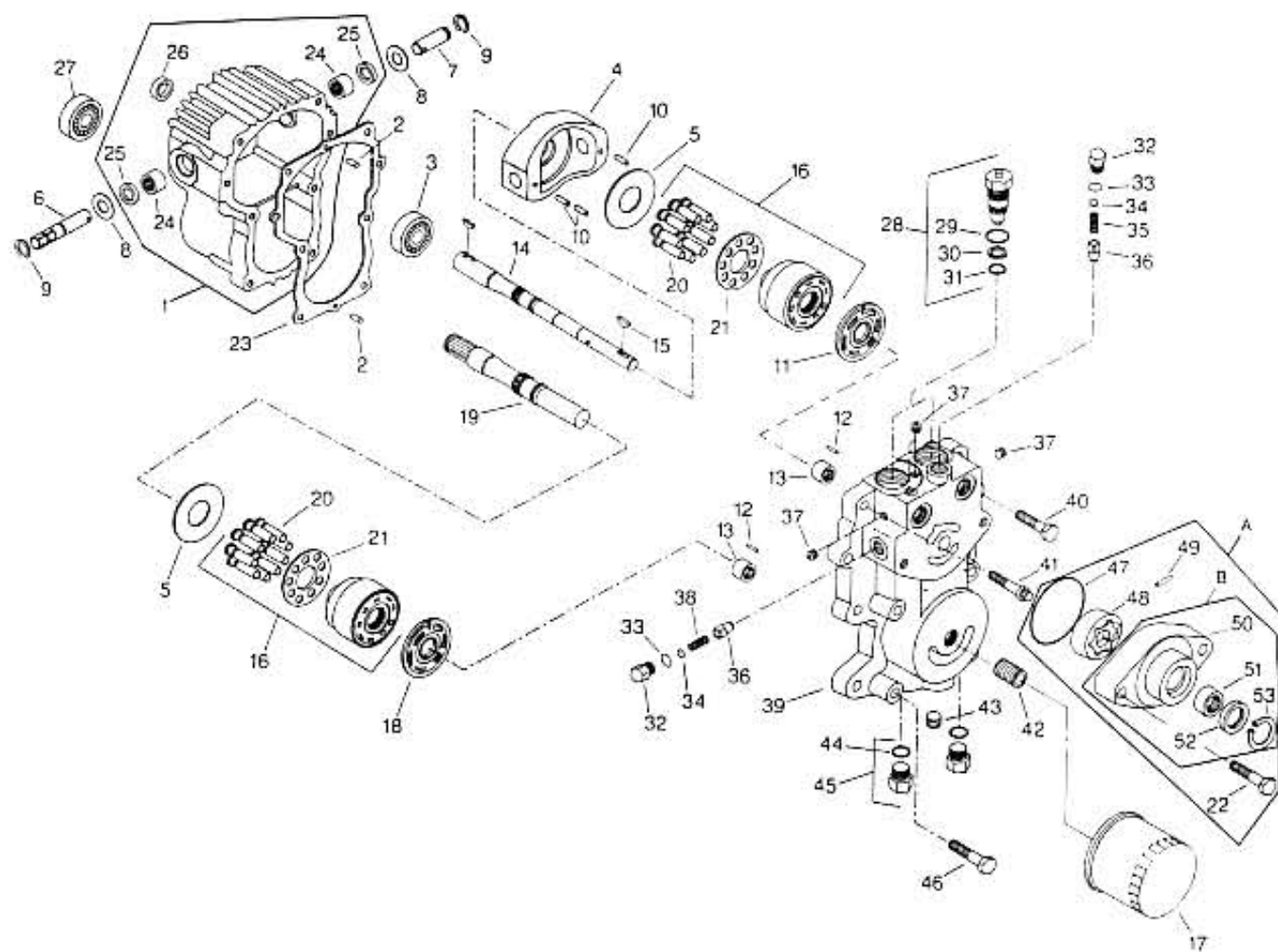


Complete Assembly
08-677

Item	Part #	Qty.	Description	Item	Part #	Qty.	Description
1*	08-685	1	Upper Housing	29*	6039	2	Thrust Washer
2	08-684	1	Lower Housing & Tube Assy	30*	6067	4	Bolt
3*	6029	1	Plug	31	6020	1	Gasket
4*	6554	1	Retaining Ring	32	6021	2	Pin
5*	6555	1	Shimwasher	33	1102	8	Hexnut 5/16"-18
6*	6556	1	Bearing Cone	34	1201	8	Lockwasher 5/16"
7*	6105	1	Bearing Cup	35	6019	1	Vent Tube Assembly
8*	6050	1	Spacer	36	6008	2	Seal
9*	6557	Set	Ship	37	6114	2	Bearing Retainer
10*	6558	1	Bearing Cup	38	6007	2	Bearing Set
11*	6559	1	Bearing Cone	39	6083	8	Bolt
12*	6560	1	Pinion/Gear Assembly	40	2069	8	Spin-Locknut
13*	6110	1	Spur Gear	41	6115	2	Dust Cover
14*	6020A	1	Gasket	42	6116	2	Brake Mounting Plate
15*	6066	1	Cover	43	6117	4	Brake Shoe
16*	6069	8	Bolt	44	6118	2	Spring-Right
17*	1023	8	Bolt 5/16"-18x1 1/2"	45	6119	2	Spring-Left
18*	6068	2	Cap	46	6120	2	Spring-Lower
19*	6037	1	Differential Case	47	6121	2	Star Wheel
20*	6043	1	Pin	48	6122	2	Adj. Tube
21	6038	10	Bolt	49	6123	2	Tube
22*	6036	Set	Shim	50	6124	2	Seal Plate
23*	6111	2	Bearing Cone	51	6125	1	Axle Shaft-Right Side
24*	6112	2	Bearing Cup	-	08-682	1	Axle Shaft-Left Side
25*	6065	1	Shaft	52	6070	10	Lug Bolt
26*	6041	2	Thrust Washer	53	6126	2	Brake Lever Assembly
27*	6042	2	Gear	54	6127	4	Lever Ret. Clip
28*	6113	2	Gear	55	05-088	2	Brake Drum

*Items Included in Third Member Kit #08-683

TRANSMISSION ASSEMBLY

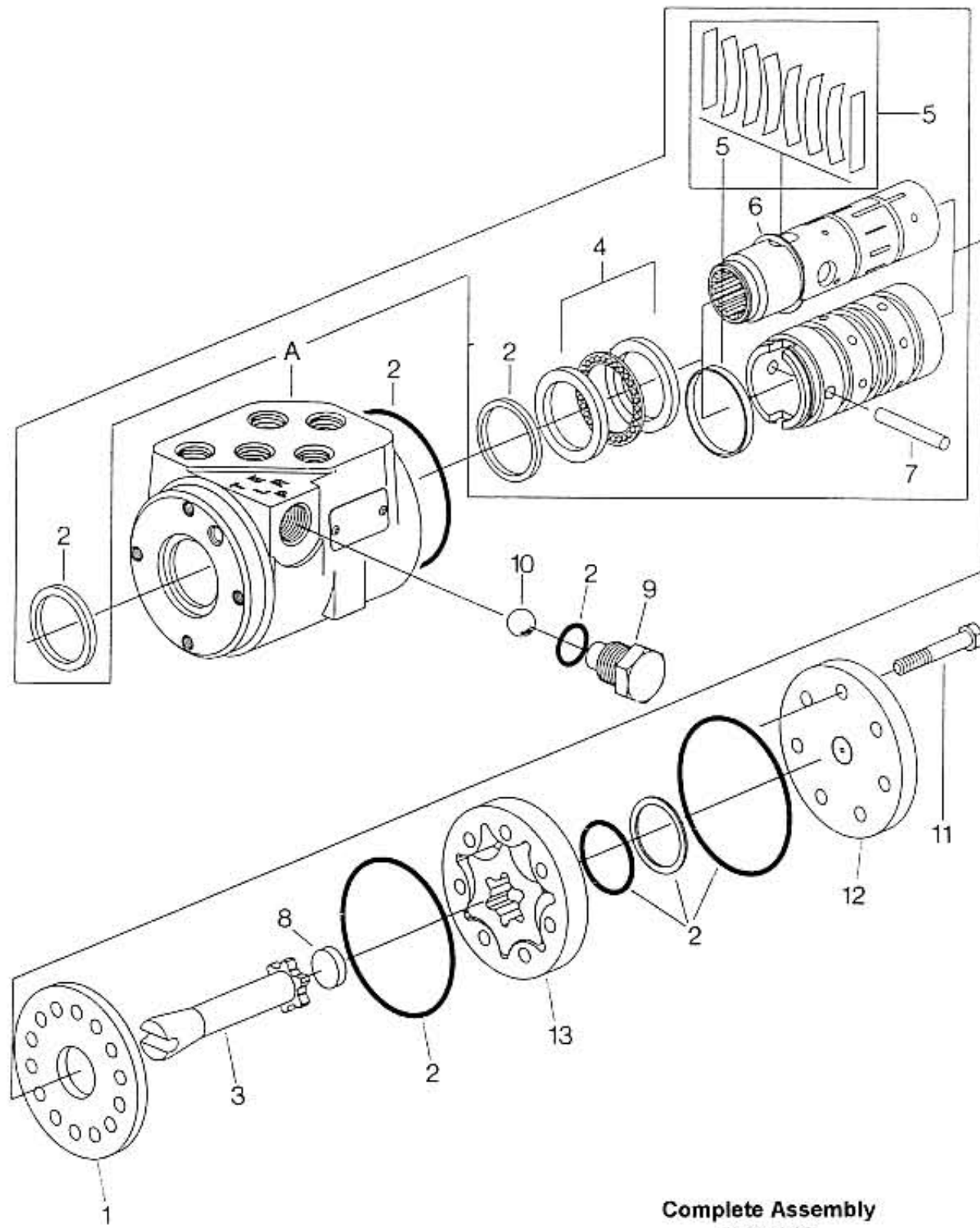


Complete Assembly
13-977

Item	Part #	Qty.	Description	Item	Part #	Qty.	Description
A	6551	1	Charge Pump Kit	26	03-482	1	Lip Seal
B	23-030	1	Charge Pump Housing Kit	27	6507	1	Roller Bearing
1	23-029	1	Housing Assembly	28	6528	2	Check Valve Assembly
2	6514	2	Pin	29	6529	2	"O" Ring
3	03-484	1	Ball Bearing	30	6530	2	Back Up Ring
4	23-031	1	Swashplate	31	23-040	2	"O" Ring
5	23-032	2	Thrust Plate	32	6523	2	Plug
6	6502	1	Trunnion Plate	33	6524	2	"O" Ring
7	6503	1	Trunnion Shaft	34	6525	2	Shim Kit
8	6504	2	Washer	35	23-035	1	Implement Relief Spring
9	6501	2	Retaining Ring	36	6533	2	Implement Relief Cone
10	6513	3	Spring Pin	37	6522	4	Pipe Plug
11	13-479	1	Valve Plate	38	6526	1	Charge Relief Spring
12	6521	2	Pin	39	23-033	1	Center Section
13	6520	2	Roller Bearing	40	03-488	2	Hex Head Screw
14	03-485	1	Pump Shaft	41	6536	2	12 Point Head Screw
15	23-044	2	Woodruff Key	42	6548	1	Filter Union
16	6518	2	Cylinder Block Kit	43	23-034	1	Plug
17	6033	1	Filter	44	23-041	2	"O" Ring
18	6519	1	Valve Plate	45	23-036	2	Plug
19	23-024	1	Motor Shaft	46	6544	4	Hex Head Screw
20	23-019	18	Piston	47	6536	1	"O" Ring
21	23-020	2	Ring	48	23-038	1	Gerotor
22	6543	2	Hex Head Screw	49	23-037	1	Pin
23	6509	1	Gasket	50	23-043*	1	Charge Pump Housing
24	6506	2	Needle Bearing	51	6540	1	Needle Bearing
25	6505	2	Lip Seal	52	23-039*	1	Lip Seal
				53	23-042*	1	Retaining Plug

*These items must be ordered and used together.

STEERING VALVE ASSEMBLY

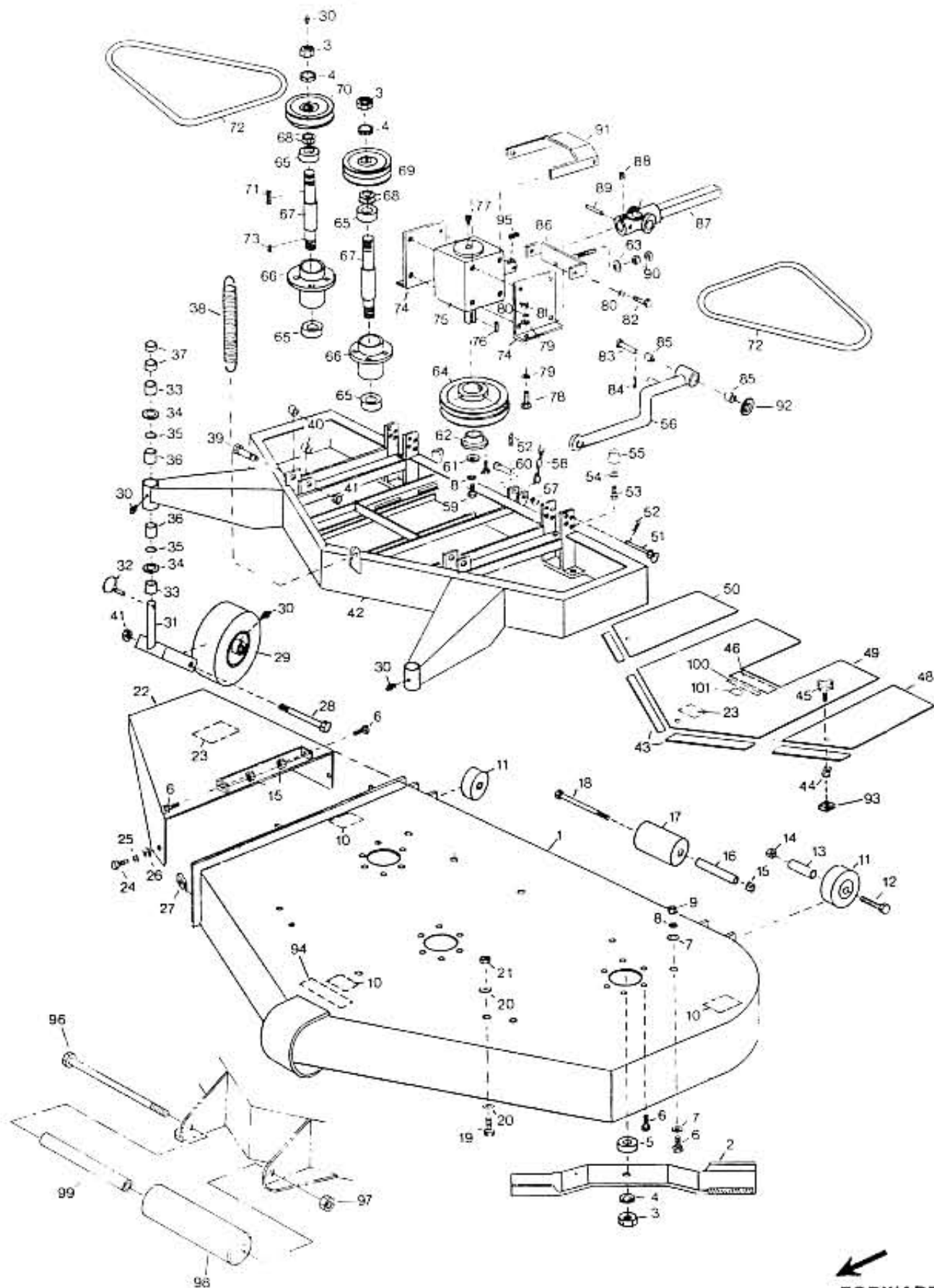


Complete Assembly
13-948

Item	Part #	Qty.	Description	Item	Part #	Qty.	Description
A	23-046	1	Control Parts Assembly	7	23-052	1	Pin
1	23-047	1	Plate-Wear	8	23-053	1	Spacer
2	23-003	1	Seal Kit	9	23-054	1	Plug (Includes O-Ring)
3	23-048	1	Drive	10	23-055	1	Ball
4	23-049	1	Bearing Kit	11	23-056	1	Cap-Screw
5	23-050	1	Spring-Centering Kit	12	23-057	1	Cap-End
6	23-051	1	Retaining Ring-External	13	23-058	1	Gerotor

CUTTING UNIT ASSEMBLY

48", 60" AND 72"

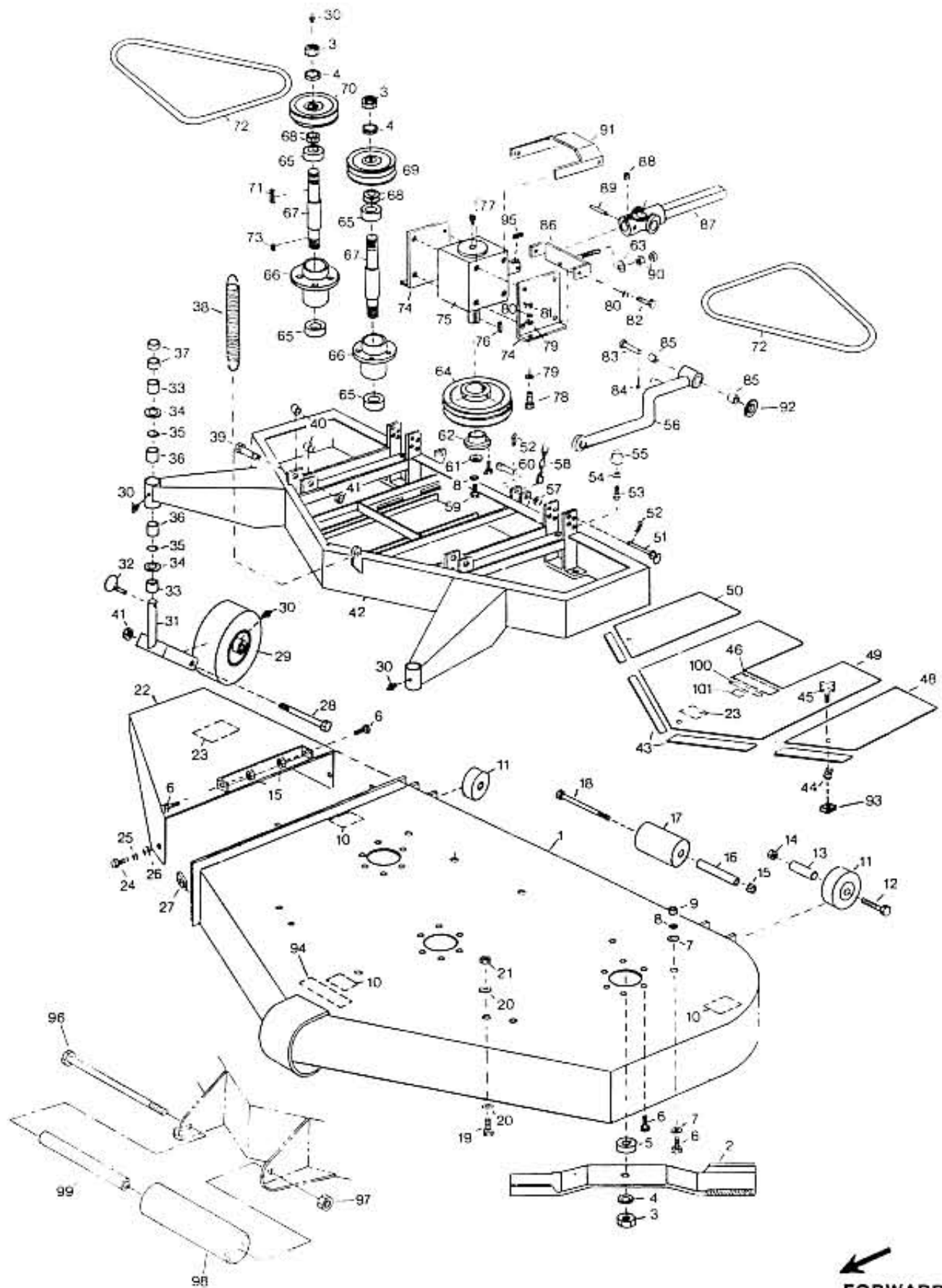


←
FORWARD

Item	Part #	Qty.	Description	Item	Part #	Qty.	Description
1	07-352	1	Deck Pan 48" SD Skid Shoe	21	1911	4	Locknut 3/8"x16
-	07-220	1	Deck Pan 60" SD Skid Shoe	22	07-354	1	Chute 48"
-	07-222	1	Deck Pan 60" SD Roller	-	07-221	1	Chute 60"
-	07-228	1	Deck Pan 60" RD Skid Shoe	-	07-234	1	Chute 72"
-	07-229	1	Deck Pan 60" RD Roller	23	7018	2	Decal "OSHA Guard"
-	07-225	1	Deck Pan 72" SD Skid Shoe	24	1000	2	Bolt 1/4"-20x3/4"
-	07-226	1	Deck Pan 72" SD Roller	25	1200	2	Lockwasher 1/4"
-	07-235	1	Deck Pan 72" RD Skid Shoe	26	1220	2	Flatwasher 1/4"
-	07-236	1	Deck Pan 72" RD Roller	27	1732	2	"U" Nut 1/4"-20
2	4282	3/48"	Deck Blade	28	1068	2	Bolt 5/8" - 11x5 1/2"
-	07-108	3/60"	Deck Blade	29	08-121	2	Caster Wheel Ass'y
-	07-108H	3/60"	Deck Blade High Lift	-	08-122	-	Caster Wheel Rim
-	07-204	3/72"	Deck Blade	-	08-123	-	Tire
-	07-204H	3/72"	Deck Blade High Lift	-	08-124	-	Repair Tube
3	1107	6/48"	Jam Nut 3/4"-16	-	08-125	-	Caster Wheel Bearing Kit
-	1731	6/60", 72"	Jam Nut 1"-14	30	1500	7	Grease Fitting
4	1206	6/48"	Lockwasher 3/4"	31	4125	2	Caster Yoke
-	1207	6/60", 72"	Lockwasher 1"	32	07-016	2	Klick Pin
5	4277	3/48"	Blade Adaptor	33	4118	4	Spacer 1"
-	07-006B	3/60", 72"	Blade Adaptor	34	1408	4	Flatwasher 1" SAE
6	2169	24	Bolt 5/16"-18x1" GR. B	35	4123	4	O-Ring
7	1221	10	Flatwasher 5/16"	36	4121	4	Bushing
8	1201	25	Lockwasher 5/16"	37	4117	4	Spacer 1/2"
9	1102	24	Hexnut 5/16"-18	38	4169-A	1	Spring
10	00-054	3	Decal "Rotating Blades"	39	1868	2	Bolt 5/8" - 11x3 1/4"
11	4129	2/48"	Rear Caster Wheel	40	07-297	4	Spacer
-	4128	2/60", 72"	Rear Caster Wheel	41	1113	4	Locknut 5/8" - 11
12	1041	2	Bolt 3/8"-16x3 1/2"	42	07-214	1	Deck Frame 48"
13	4264	2	Bushing	-	07-218	1	Deck Frame 60"
-	07-237	2	Bushing	-	07-224	1	Deck Frame 72"
14	1112	2	Locknut 3/8"-16	43	00-083	7ft	Weatherstrip 1/8" x 1"
15	1111	3	Locknut 5/16"-18	44	2026	3	Retaining Clip
16	4260	1/72"	Bushing	45	07-315	3	Deck Hood Knob
17	4229	1/72"	Roller	46	7039	1	Decal "Turf Blazer"
18	1870	1/72"	Bolt 5/16"-18x5"	47	00-054	2	Decal "Rotating Blades"
19	1957	4	Bolt 3/8"-16x1"	48	07-318	1	Deck Cover-Left 72"
20	1222	8	Flatwasher 3/8"	-	07-324	1	Deck Cover-Left 60"
				-	07-327	1	Deck Cover-Left 48"

CUTTING UNIT ASSEMBLY (CONT'D)

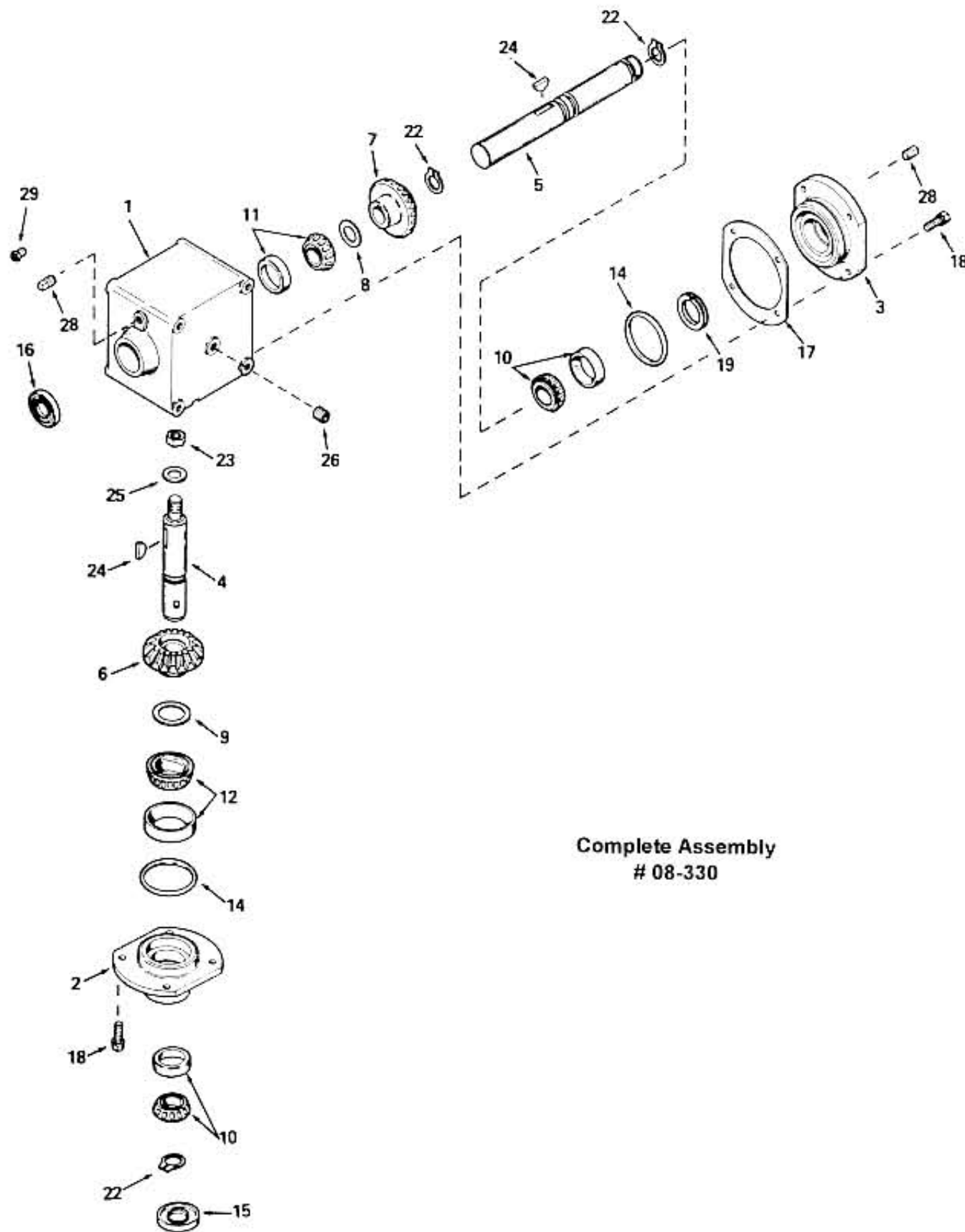
48", 60" AND 72"



FORWARD

Item	Part #	Qty.	Description	Item	Part #	Qty.	Description
49	07-316	1	Deck Cover-Center 72"	71	1300	3/48"	Key 3/16"x1"
-	07-322	1	Deck Cover-Center 60"	-	1310	3/60", 72"	Key 1/4"x3/4"
-	07-325	1	Deck Cover-Center 48"	72	3215	2/48"	Belt
50	07-317	1	Deck Cover-Right 72"	-	3462	2/60"	Belt
-	07-323	1	Deck Cover-Right 60"	-	3463	2/72"	Belt
-	07-326	1	Deck Cover-Right 48"	73	1301	3/48"	Key 3/16"x3/8"
51	4287	2	Hanger Pin	74	07-059	2/48"	Gearbox Bracket
52	4104	2	Hair Pin Clip	-	07-223	2/60", 72"	Gearbox Bracket
53	1000	2	Bolt 1/4"-20x3/4"	75	08-330	1	Gearbox
54	1200	2	Lockwasher 1/4"	76	1602	1	Key 1/4"x1 1/4"
55	04-185	2	Rubber Bumper	77	07-047	1	Vent
56	08-356	1	Pusharm-Left	78	1824	4	Bolt 3/8"-16x1 1/4"
-	08-357	1	Pusharm-Right	79	1222	8	Flatwasher 3/8"
57	1231	2	Flatwasher 1/2" SAE	80	1202	12	Lockwasher 3/8"
58	05-142A	2	5 Link Chain	81	1103	4	Hexnut 3/8"-16
59	1213	1	Bolt 5/16"-18x1	82	1957	8	Bolt 3/8"-16x1"
60	2102	2	Clevis Pin 1/2"x2 1/4"	83	08-358	2	Push Arm Pin
61	1229	1	Fender Washer 5/16"	84	1608	2	Cotter Pin 1/8"x2"
62	08-271	1	Bushing-Taper Lock	85	4122	4	Bushing
63	1219	1	Flatwasher 7/16"	86	07-233	1	Adjustment Bracket-Gearbox
64	04-470	1/48"	Pulley	87	04-119B	1	Drive Shaft-Male (Deck)
-	08-269	1/60", 72"	Pulley	-	08-435	1	Drive Shaft-Female (Tractor)
65	4268A	6/48"	Blade Hub Bearing	-	08-365	1	Drive Shaft-Complete Ass'y
-	04-105A	6/60", 72"	Blade Hub Bearing	88	2000	1	Setscrew 3/8-16x3/8 Knurl Point
66	07-126	3/48"	Blade Hub Only	89	1402	1	Roll Pin 5/16"x1 5/8"
-	07-131	3/48"	Blade Hub Ass'y (w/shaft & bearings)	90	1745	2	Hexnut 7/16"
-	07-413	3/60", 72"	Blade Hub Only	91	08-422	1	Gearbox Guard
-	07-439	3/60", 72"	Blade Hub Ass'y (w/shaft & bearings)	92	1235	2	Flatwasher 3/4" SAE
67	07-127	3/48"	Blade Shaft	93	2015	3	U-Nut 5/16"-18
-	07-414	3/60", 72"	Blade Shaft	94	00-057	1	Decal "Blade Nut Torque"
68	1771	4/48"	Bushing 3/4"x1 1/4"x14 GA.	95	1983	1	Woodruff Key 1/4"x7/8"
-	07-011	1/60", 5/72"	Bushing 1"x1 1/2"x14 GA.	96	2124	1	Bolt 1/2"-13x11"
-	1233	2/60"	Bushing 1"x1 1/2"x18 GA.	97	1747	1	Locknut 1/2"-13
69	4274	1/48"	Pulley-2 Groove	98	07-135	1	Roller
-	04-065	1/60"	Pulley-2 Groove	99	07-139	1	Shaft-Roller
-	04-068	1/72"	Pulley-2 Groove	100	7003	1	Decal "Commercial"
70	4107	2/48"	Pulley-Single Groove	101	7013	1	Decal "48"
-	04-064	2/60"	Pulley-Single Groove	-	7012	1	Decal "60"
-	04-067	2/72"	Pulley-Single Groove	-	7011	1	Decal "72"

GEARBOX ASSEMBLY



Complete Assembly
08-330

Item	Part #	Qty.	Description	Item	Part #	Qty.	Description
1	08-436	1	Housing, Right Angle Drive	12	08-447	1	Bearing & Cup Assy (This is a factory sized assembly and may or may not include Ref No 9 shim washer. If Ref No 9 shim washer is included, it MUST be used in this location. All old shim washer MUST be discarded.)
2	04-437	1	Cap, Retainer	14	08-448	2	"O" Ring
3	08-438	1	Cap, Retainer	15	08-449	1	Seal, Oil
4	08-439	1	Shaft, Input (5.38" Long)	16	08-450	1	Seal, Oil
5	08-440	1	Shaft, Output (7.625" Long)	17	08-451	1	Shim, Cap Retainer
6	08-441	1	Gear, Bevel (23 teeth)	18	1213	8	Screw, Hex Hd. Sems. 5/16"-18x1
7	08-442	1	Gear, Bevel (26 teeth)	19	08-452	1	Ring, Load
8	08-443	1	Shim (1 1/2" O.D. x 1 1/64" I.D. x .002 Thick) (Use as required)	22	08-453	3	Ring, Retaining
9	08-444	1	Shim (2.00" O.D. x 1.531" I.D. x .002 Thick) (Use as required)	23	08-454	1	Jam Nut, 3/4"-16
10	08-445	2	Bearing & Cup Assy. (This assembly may have a shim washer included. The shim washer is not required at this location.)	24	08-455	2	Key, Woodruff
11	08-445	1	Bearing & Cup Assy (This is a factory sized assembly and may or may not include Ref No. 8 shim washer. If Ref No. 8 shim washer is supplied, it MUST be used in this location. All old shim washers MUST be discarded.)	25	08-456	1	Washer, Flat
				26	1841	2	Plug, Pipe, 1/4"-18
				28	1831	2	Plug, Pipe 1/8"-27
				29	4215	1	Valve, Relief