



18155 Edison Avenue • Chesterfield, Missouri 63017

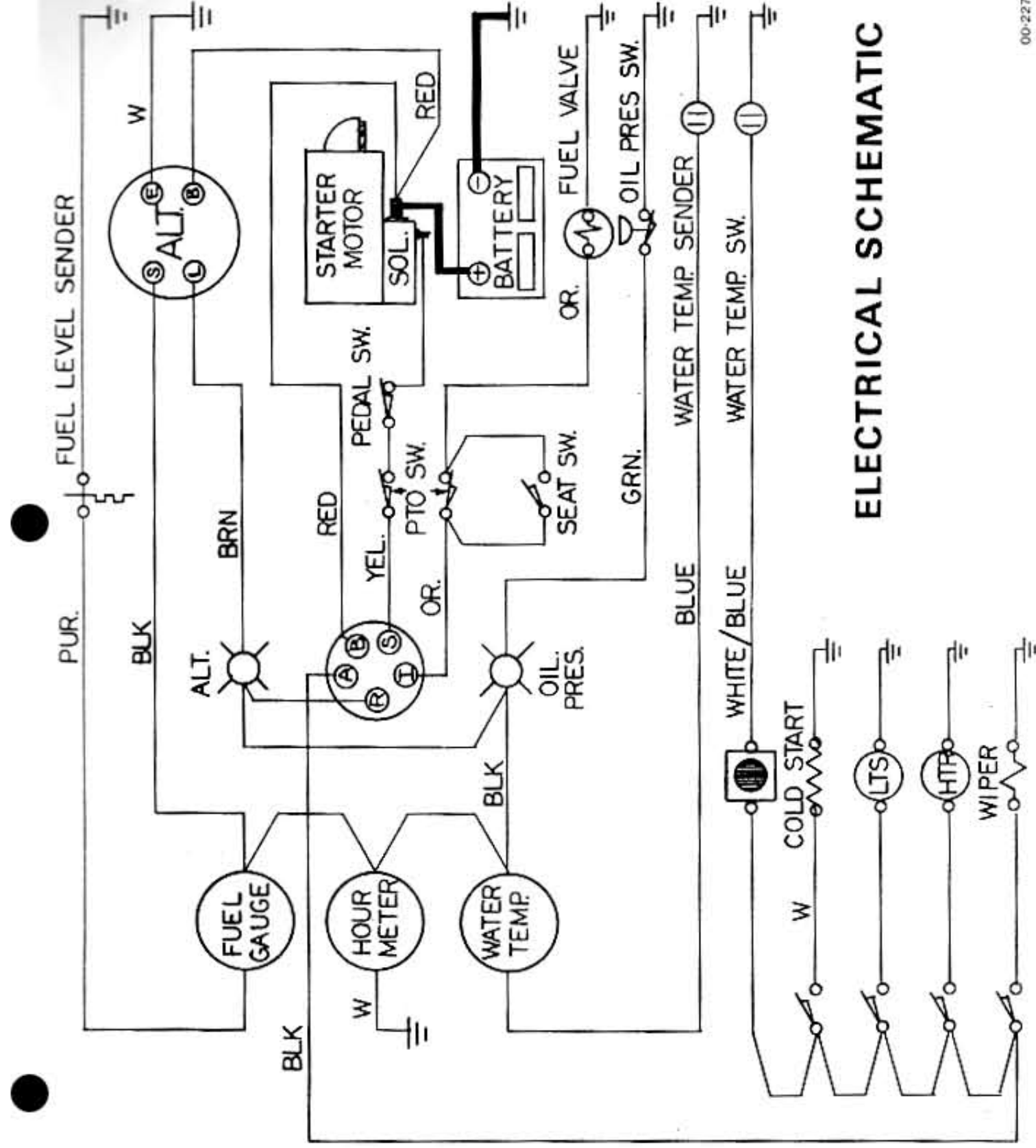
TURF BLAZER 727

PARTS MANUAL

**MODEL 72Y27 TRACTOR
MODEL C72D ROTARY MOWER
MODEL C60D ROTARY MOWER**

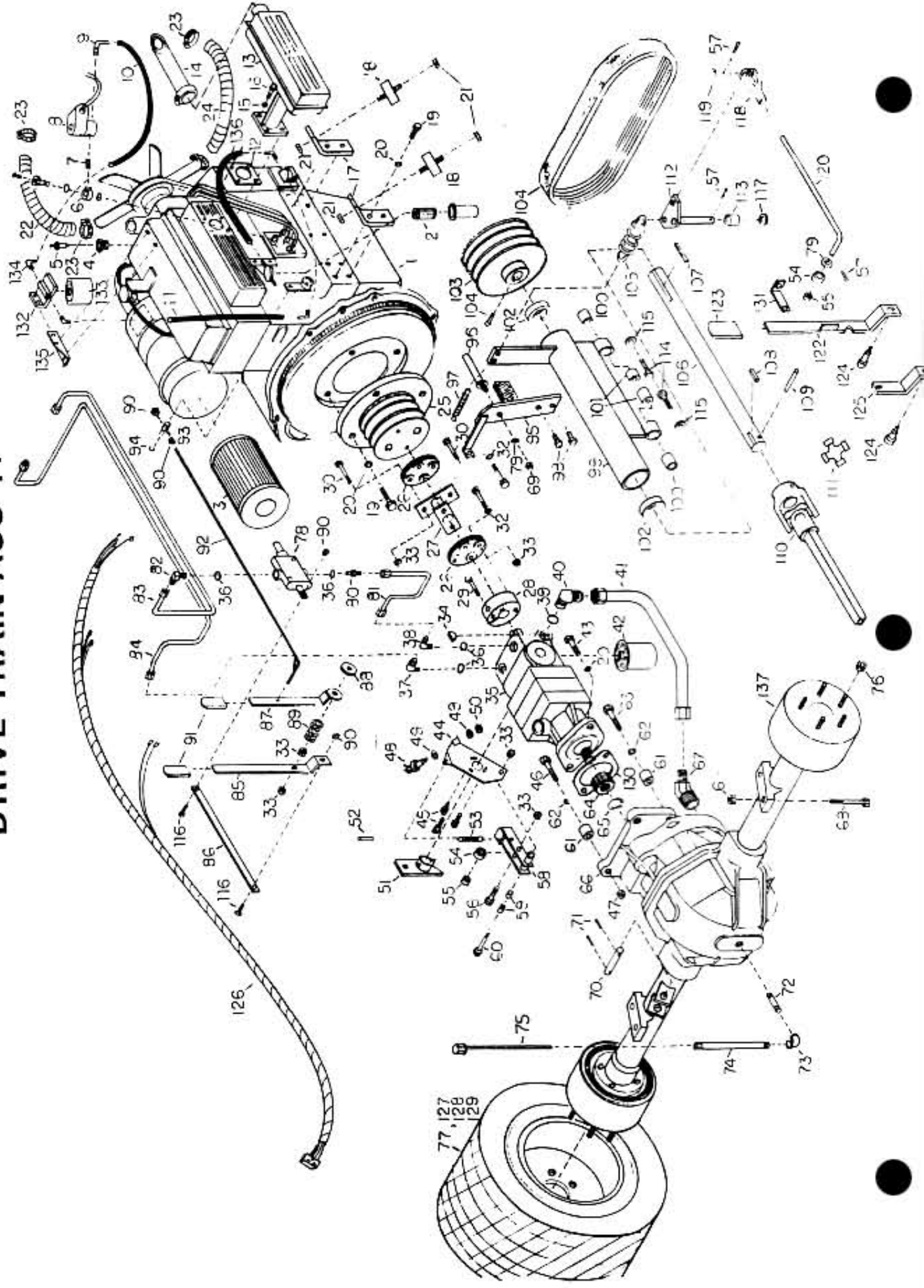
INDEX

ELECTRICAL SCHEMATIC	1
DRIVE TRAIN ASSEMBLY	2, 3
FRAME ASSEMBLY	4, 5
COVERS	6, 7
TRANSMISSION	8, 9
TRANS AXLE	10, 11
LIFT VALVE, CYLINDER	12
GEARBOX	13
72" ROTARY MOWER	14, 15



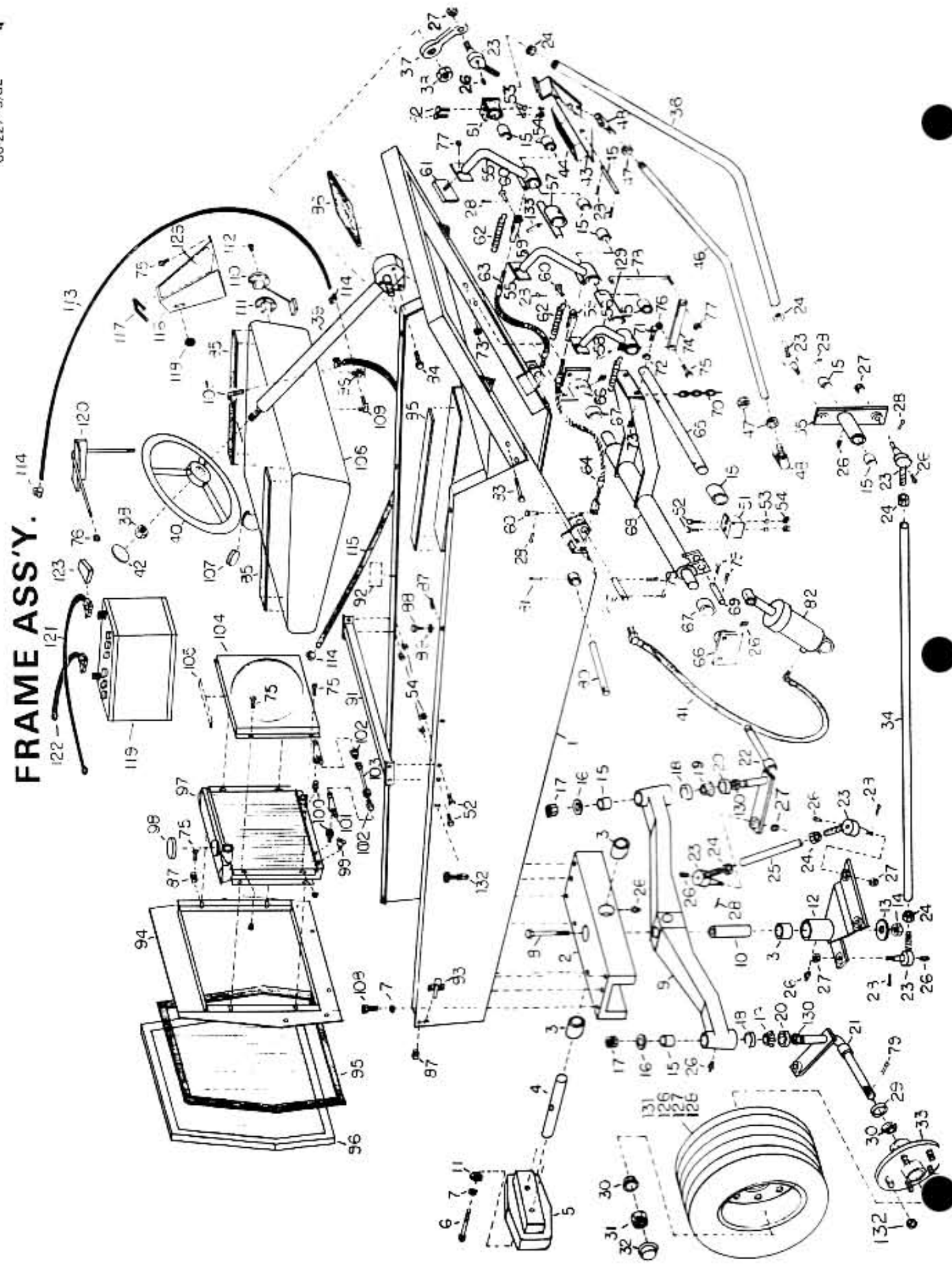
ELECTRICAL SCHEMATIC

DRIVE TRAIN ASS'Y.



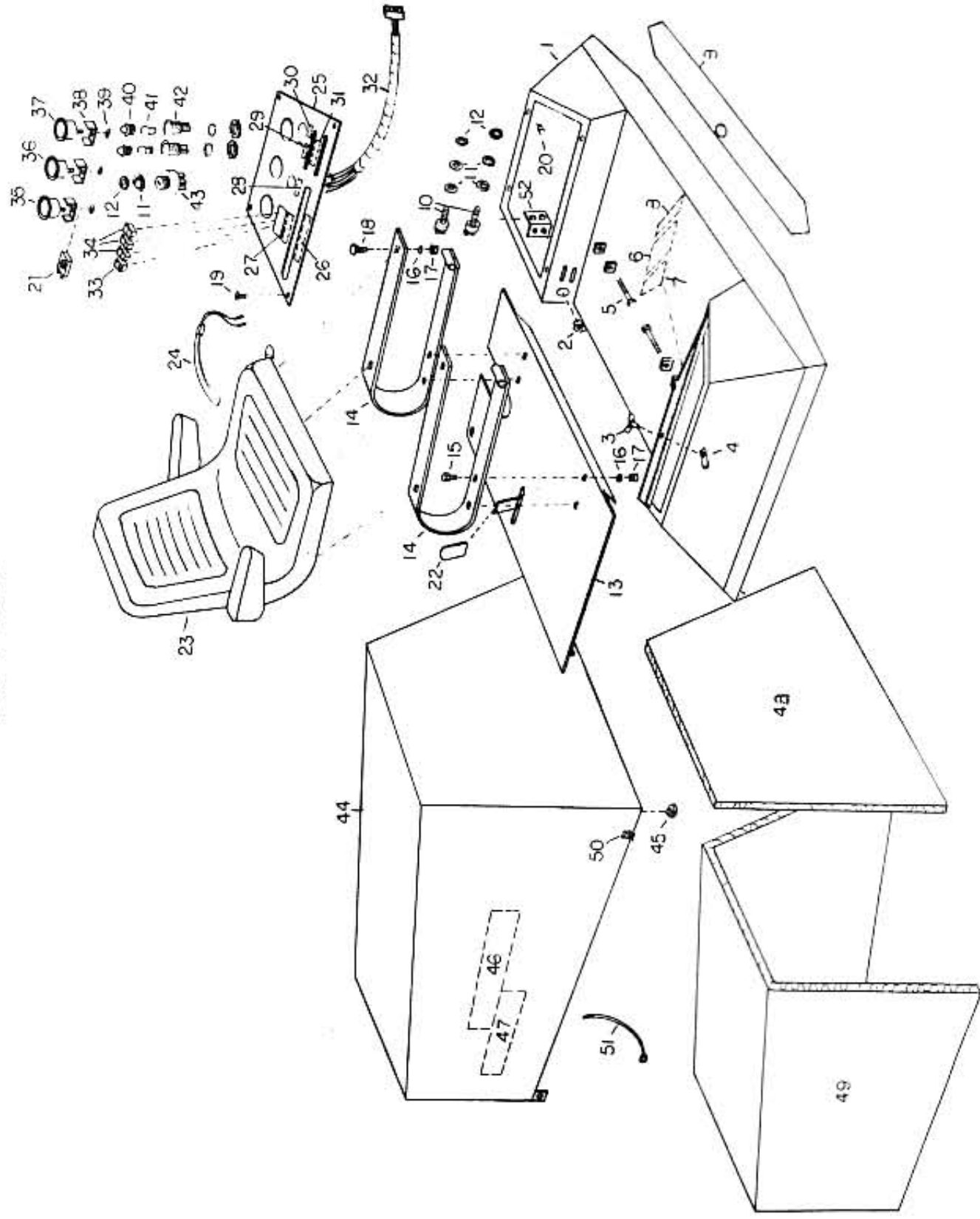
Item Number	No. Req'd.	Description	Item Number	No. Req'd.	Description	Item Number	No. Req'd.	Description
1 04-135	1	Engine	47 1112	2	Locknut - 3/8-16	93 05-038	1	Throttle Rod Swivel
2 124550-55700	1	Fuel Filter Element	48 5018	1	Neutral Safety Switch	94 05-039	1	Retaining Ring
3 121256-12510	1	Air Cleaner Element	49 1764	2	Lockwasher - 5/8"	95 05-028	1	PTO Brake Assy
4 03-701	1	Bushing	50 1765	1	Hex Nut - 5/8"	96 05-028A	1	Upper Belt Guide
5 02-048A	1	Water Temp. Sender	51 05-018A	1	Transmission Lever	97 4114	1	PTO Brake Spring
6 03-702	1	Injection Pump Inlet Fitting	52 1131	1	Roll Pin - 1/4 x 1"	98 1031	2	Bolt
7 03-703	1	Nipple	53 5013	1	Spring	99 05-030A	1	PTO Shaft Housing
8 03-704	1	Fuel Shutoff Valve	54 05-019	2	Roller	100 4173	2	Bushing
9 5259	2	Hose Fitting - 90°	55 04-134	2	Bushing	101 05-093	2	Insert
10 03-705	1	Valve/Separator Hose - 22"	56 1767	1	Bolt	102 04-118A	2	PTO Shaft Bearing
11 03-707	1	Fuel Pump/Separator Hose - 15-1/2"	57 1600	3	Cotter Pin	103 04-117	1	PTO Pulley
12 121450-13200	1	Exhaust Flange Gasket	58 05-020	1	Neutral Strap	104 3464	1	PTO Belt
13 121454-13490	1	Muffler	59 04-129	2	Bushing	105 05-132	1	PTO Spring
14 121454-13650	1	Tail Pipe	60 1766	1	Bolt	106 05-031	1	PTO Shaft
15 22217-080000	4	Lockwasher 8mm	61 05-021	4	Spacer	107 1310	1	Key
16 26716-080002	4	Bolt - M8	62 1202	4	Lockwasher - 3/8	108 1311	1	Key
17 05-014	4	Engine Mount Bracket	63 1031	2	Bolt	109 1133	1	Roll Pin 5/16" x 1 1/4"
18 04-036	4	Motor Mount	64 05-116	1	Drive Gear	110 04-119A	1	Drive Shaft U-Joint Assy
19 26116-120302	12	Bolt - 12mm 1.75mm Pitch	65 6031	1	Retaining Ring	111 4146	1	"U" Joint Repair Kit
20 22217-120000	12	Lockwasher - 12mm	66 05-001	1	Transaxle	112 05-032	1	PTO Belcrank
21 1740	8	Locknut - 3/8 - 24	67 03-695	4	Fitting - 45°	113 05-033	1	Spacer
22 05-118	1	Upper Radiator Hose	68 1040	4	Bolt	114 1033	2	Bolt - 3/8 - 16 x 1-1/2"
23 05-120	4	Hose Clamp	69 1112	5	Locknut - 3/8 - 16	115 1222	2	Flatwasher - 3/8"
24 05-119	1	Lower Radiator Hose	70 05-022	1	Cyl. Mount Pin	116 1778	2	Machine Screw - 10-32 x 1"
25 04-116	1	Drive Pulley	71 1609	2	Cotter Pin	117 1223	1	Flatwasher - 1/2"
26 5005C	2	Coupling Disc	72 03-098	1	Nipple - 1/2 x 3-1/2"	118 5164	2	Clevis
27 05-016	1	Coupling Shaft	73 03-691	1	Elbow - 90°	119 5160	2	Clevis Pin
28 05-133	1	Trans. Coupling Adaptor	74 03-686	1	Nipple - 1/2 x 11-1/2"	120 05-035	1	PTO Linkage Rod
29 1086	1	Bolt	75 05-023	10	Dipstick	122 05-036	1	PTO Lever
30 1763	8	Bolt	76 04-142	10	Lugnut	123 05-121	1	PTO Handle Grip
32 1221	4	Flatwasher - 5/16"	77 05-004	2	Wheel Assy	124 1737	2	Bolt
33 1115	4	Locknut - 5/16 - 24 SAE	78 03-661A	1	Lift Valve	125 05-037	1	PTO Lock Lever
34 8602	1	Key	79 1222	2	Flatwasher - 3/8"	126 02-103	1	Chassis Wiring Harness
35 03-659	1	Transmission	80 03-076	1	Fitting - 8400 x 6	127 05-005	-	Drive Wheel
36 03-708	4	"O" Ring	81 03-665	1	Tube	128 05-006	-	Drive Tire
37 03-692	1	Fitting 90° 6801 x 8 x 6	82 03-692	1	Fitting - 90° 6801 x 8 x 6	129 05-007	1	Drive Tire Repair Tube
38 03-663	1	Fitting 90° 6801 x 6 x 6	83 03-683	1	Tube	130 04-037	1	Gasket
39 03-129	1	"O" Ring	84 03-666	1	Tube	131 05-077	1	PTO Rod Retainer
40 03-696	1	Fitting 90° 6801 x 12 x 10	85 05-024	1	Lift Valve Lever	132 03-286	1	Fuel/Water Separator
41 03-668	1	Tube	86 05-026A	1	Lift Valve Linkage Rod	133 03-287	-	Separator Element
42 6033	1	Filter Cartridge	87 05-026	1	Throttle Lever	134 03-229	2	Fitting 90°
43 1032	2	Bolt	88 5033	1	Friction Pad	135 05-100	1	Separator Bracket
44 05-017	1	Neutral Adj. Plate	89 5034	1	Spring	136 05-140	1	Filter/Fuel Pump Hose - 16"
45 1014	3	Bolt - 1/4	90 1117	4	Locknut - 10-32	137 05-003	-	Brake Drum
46 1036	2	Bolt - 3/8-16 x 2-1/4"	91 05-143	2	Handle Grip			
			92 05-027	1	Throttle Linkage Rod			

FRAME ASS'Y.



Item	Number	Req'd.	Description	Item	Number	Req'd.	Description	Item	Number	Req'd.	Description	Item	Number	Req'd.	Description
1	05-000	1	Frame	44	00-052	1	Non-Skid, Pedal	89	1220	4	Flatwasher	89	1220	4	Flatwasher
2	05-128	1	Rear Yoke	45	05-050	1	Pedal Pin	91	05-062	1	Frame Brace	91	05-062	1	Frame Brace
3	04-001	4	Bushing	46	05-051A	1	Traction Linkage	92	00-044	1	Decal - "Diesel Fuel"	92	00-044	1	Decal - "Diesel Fuel"
4	05-040	1	Pivot Pin	47	1108	4	Half Nut - 9/16 - 18	93	05-136	2	Toggle Latch	93	05-136	2	Toggle Latch
5	05-130	1	Rear Weight	48	04-146	2	Ball Joint	94	05-063	1	Radiator Mount Bracket	94	05-063	1	Radiator Mount Bracket
6	1035	2	Bolt - 3/8 - 16 x 2"	51	05-052	2	Brake Shaft Bracket	95	00-080	7	Weatherstrip	95	00-080	7	Weatherstrip
7	1202	10	Lock Washer	52	1020	8	Bolt - 5/16 - 18 x 3/4	96	05-064	1	Rear Screen	96	05-064	1	Rear Screen
8	1762	1	Bolt - 1/2 - 13 x 6-1/2"	53	1201	8	Lockwasher	97	05-117	1	Radiator	97	05-117	1	Radiator
9	05-129	1	Rear Axle	54	1102	8	Hex Nut	98	06-024	1	Radiator Cap	98	06-024	1	Radiator Cap
10	05-041	1	Belcrank Pivot Pin	55	05-053	2	Single Brake Lever	99	03-135	2	Petcock	99	03-135	2	Petcock
11	1769	2	Flatwasher	56	05-054	1	Dual Brake Lever	100	03-694	2	Fitting - 5405 x 6 x 2	100	03-694	2	Fitting - 5405 x 6 x 2
12	05-042	1	Steering Belcrank	57	05-055	1	Dual Brake Tie Bar	101	03-709	2	Fitting - 2602 x 8	101	03-709	2	Fitting - 2602 x 8
13	1223	1	Flatwasher	58	1132	2	Roll Pin - 1/4 x 1-1/4	102	03-351	2	Fitting - 2406 x 8 x 6	102	03-351	2	Fitting - 2406 x 8 x 6
14	1770	1	Slotted Nut	59	5039	2	Clevis	103	03-684	1	Bypass Tube	103	03-684	1	Bypass Tube
15	4122	10	Bushing	60	5160	4	Clevis Pin	104	05-065	1	Fan Shroud	104	05-065	1	Fan Shroud
16	1234	2	Machine Bushing	61	5276	3	Brake Pedal Pad	105	00-036	1	Decal - "Rotating Blade"	105	00-036	1	Decal - "Rotating Blade"
17	1757	2	Slotted Nut	62	4114	3	Spring	106	05-124	1	Fuel Tank	106	05-124	1	Fuel Tank
18	6053	2	Bearing Cup	63	05-113	1	Brake Cable - Short	107	05-066	1	Fuel Tank Cap	107	05-066	1	Fuel Tank Cap
19	5077	2	Bearing Cone	64	05-112	1	Brake Cable - Long	108	1719	8	Bolt - 3/8 - 16 x 3/4	108	1719	8	Bolt - 3/8 - 16 x 3/4
20	5076	2	Seal	65	05-056	1	Brake Shaft	109	5259	2	Fitting - 90°	109	5259	2	Fitting - 90°
21	05-043	1	Spindle - Right	66	05-057	2	Lit Bar Mounting Bracket	110	05-067	1	Fuel Level Sender	110	05-067	1	Fuel Level Sender
22	05-044	1	Spindle - Left	67	04-123	2	Bearing	111	05-068	1	Gasket	111	05-068	1	Gasket
23	04-120	8	Ball Joint	68	05-058A	1	Lit Bar Assy	112	1777	1	Screw	112	1777	1	Screw
24	1772	8	Half Nut - 5/8 - 18	69	05-022	3	Lit Cyl. Pin	113	05-139	1	Hose - Fuel Tank/Filter	113	05-139	1	Hose - Fuel Tank/Filter
25	05-045	2	Tie Rod	70	05-142A	2	Lit Chain	114	04-082	8	Hose Clamp	114	04-082	8	Hose Clamp
26	1500	16	Grease Fitting	71	1032	2	Bolt	115	05-141	1	Hose - Engine/Tank Return	115	05-141	1	Hose - Engine/Tank Return
27	1773	8	Slotted Nut	72	1222	2	Flatwasher	116	05-069	1	Steering Column Cover	116	05-069	1	Steering Column Cover
28	1600	11	Colter Pin	73	1112	6	Lock Nut	117	04-059	7	Trim Molding	117	04-059	7	Trim Molding
29	6053	4	Bearing Cup	74	05-059	1	Brake Latch Bar	118	05-127	1	Knob - Brake Latch	118	05-127	1	Knob - Brake Latch
30	5077	4	Bearing Cone	75	1000	15	Bolt - 1/4-20 x 3/4	119	5037	1	Battery	119	5037	1	Battery
31	1757	2	Slotted Nut	76	1110	5	Locknut - 1/4"	120	05-070	1	Battery Holddown Bracket	120	05-070	1	Battery Holddown Bracket
32	04-113	2	Hub Cap	77	1775	1	Locknut - 10-32	121	02-070	1	Battery Cable - Pos.	121	02-070	1	Battery Cable - Pos.
33	05-008	2	Wheel Hub	78	05-060	1	Brake Latch Linkage Rod	122	02-071	1	Battery Cable - Ground	122	02-071	1	Battery Cable - Ground
34	05-046	1	Rear Steering Linkage	79	1609	4	Colter Pin	123	5132	1	Battery Cable Boot	123	5132	1	Battery Cable Boot
35	05-047	1	Steering Pivot	80	05-061	1	Steering Pivot Pin	125	00-033	1	Decal - "Logo"	125	00-033	1	Decal - "Logo"
36	05-048	1	Front Steering Linkage	81	1131	1	Roll Pin - 1/4 x 1	126	05-009	1	Rear Wheel	126	05-009	1	Rear Wheel
37	05-115	1	Steering Gearbox Lever	82	03-667	1	Cylinder	127	05-010	1	Rear Tire	127	05-010	1	Rear Tire
38	1113	2	Hex Nut - 5/8 - 18	83	1026	4	Bolt	128	05-011	1	Rear Tube Repair Ruber	128	05-011	1	Rear Tube Repair Ruber
39	05-114	1	Steering Column/Gearbox	84	1741	2	Bolt	129	05-078	1	Brake Shaft Spacer	129	05-078	1	Brake Shaft Spacer
40	05-125	1	Steering Wheel	85	00-083	6	Weatherstrip	130	05-079	2	Steering Spindle Spacer	130	05-079	2	Steering Spindle Spacer
41	03-664	1	Hose - Lift Valve/Cylinder	86	00-047	1	Anti-Skid, Floor	131	05-145	1	Rear Wheel/Tire Assy	131	05-145	1	Rear Wheel/Tire Assy
42	05-144	1	Wheel Cover	87	1732	14	"U" Nut	132	04-142	10	Lug Nut	132	04-142	10	Lug Nut
43	05-049	1	Traction Pedal	88	1003	4	Bolt	133	1132	1	Roll Pin - 1/4 x 1-1/2	133	1132	1	Roll Pin - 1/4 x 1-1/2

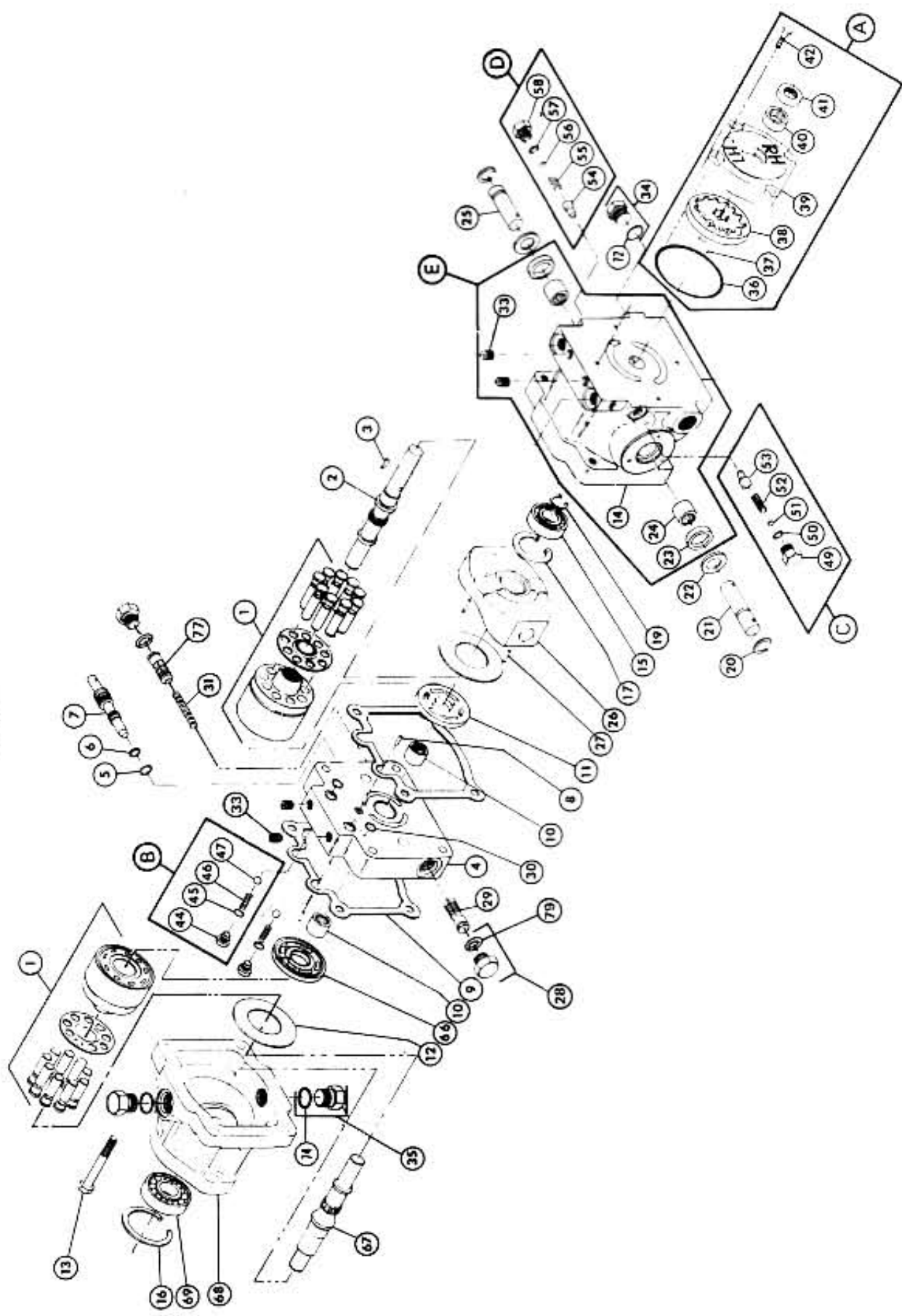
COVERS



Item	Number	No. Req'd.	Description	Item	Number	No. Req'd.	Description
1	05-071	1	Cowling	27	00-040	1	Decal - Switches
2	04-126	1	Bushing	28	00-042	1	Decal - Ignition Switch
3	04-050A	1	Knob	29	00-041	1	Decal - Oil Pressure
4	04-050B	1	Latch	30	00-043	1	Decal - Alternator
5	1029	2	Bolt - 5/16 - 18 x 3-1/2"	31	00-038	1	Decal - Throttle/Lift Valve
6	7005	1	Decal - Operating Instructions	32	02-104	1	Wiring Harness - Inst./Panel
7	00-045	1	Decal - Parking Brake	33	02-072	1	Switch - Momentary Contact
8	00-046	1	Decal - Traction Pedal	34	02-073	3	Switch - Maintained Contact
9	00-051	1	Anti-Skid - Floor	35	5122	1	Hour Meter
10	5018	2	Safety Switch - N.O.	36	02-052	1	Water Temp. Gage
11	1764	5	Lockwasher	37	02-054	1	Fuel Level Gage
12	1765	3	Hex Nut	38	02-055	3	Gage Mounting Bracket
13	05-072A	1	Trans. Access Cover	39	1775	3	Locknut
14	05-082	2	Seat Spring	40	02-026	2	Red Lens
15	1021	4	Bolt - 5/16 - 18 x 1"	41	02-025	2	Bulb
16	1201	8	Lockwasher - 5/16"	42	02-024	2	Light Socket
17	1102	8	Hex Nut - 5/16 - 18	43	02-074A	1	Ignition Switch
18	1776	4	Bolt - 5/16 - 18 x 1" Carriage	44	05-074	1	Hood
19	1748	4	Machine Screw	45	05-138	2	Rubber Bumper
20	1732	4	"U" Nut	46	00-035	2	Decal - Turf Blazer
21	02-117	1	Buzzer	47	00-034A	2	Decal - 727 Diesel
22	05-143	1	Handle Grip	48	05-075	1	Insulation - Front
23	05-122	1	Seat	49	05-076	1	Insulation - Sides
24	5219	1	Seat Safety Switch	50	05-137	1	Striker
25	05-073	1	Instrument Panel	51	05-080	2	Hood Restraint
26	00-039	1	Decal - "PTO"				

TRANSMISSION

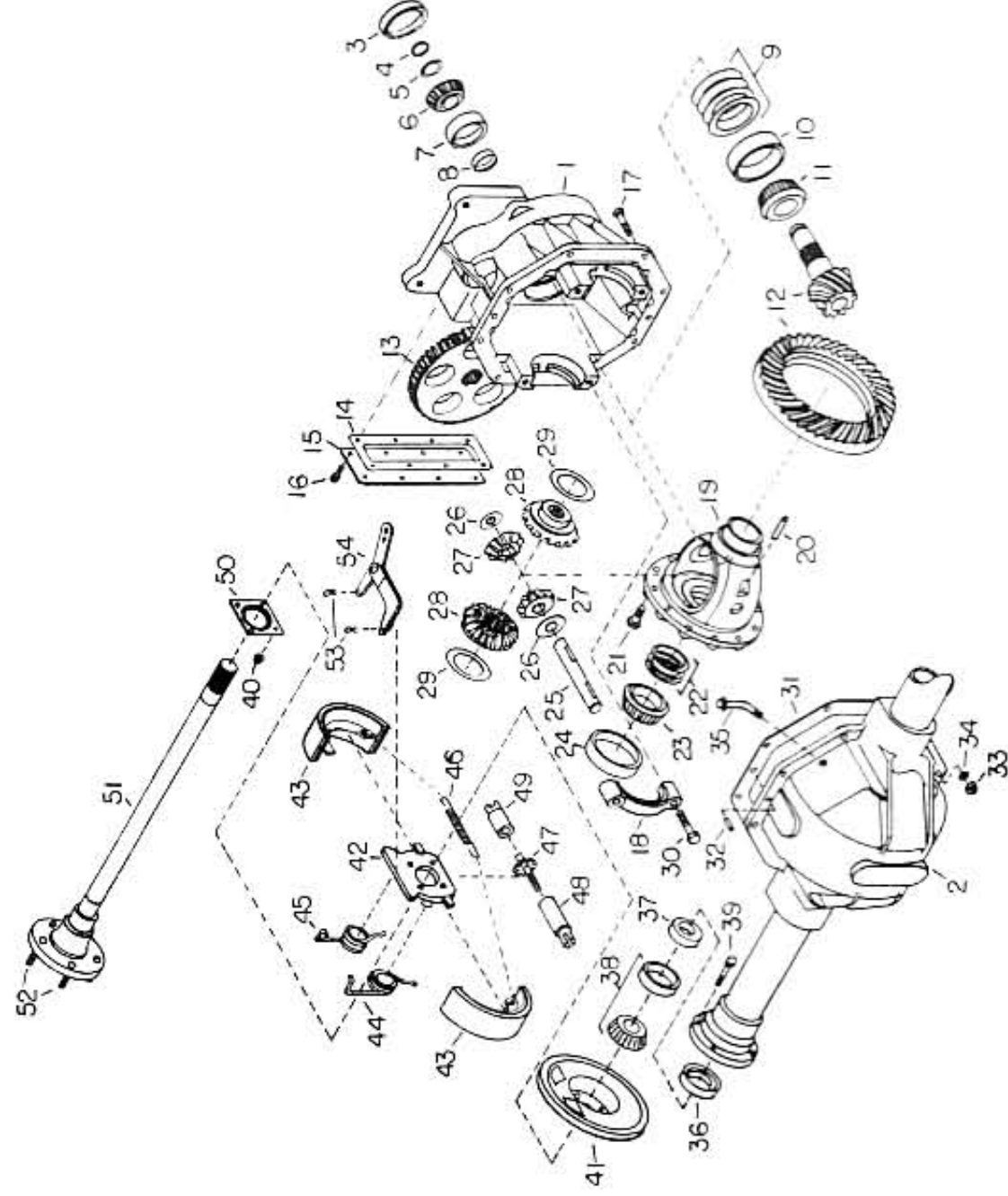
COMPLETE ASS'Y 03-659



Item	Number	No. Req'd.	Description	Item	Number	No. Req'd.	Description
1	6600	2	Cyl. Block Kit	37	6633	1	Straight Pin
2	6601	1	Pump Shaft	38	6634	1	Gerotor Assy
3	6602	1	Woodruff Key	39	6635	1	Chg Pump Housing
4	6603	1	Center Section	40	6636	1	Needle Bearing
5	6604	1	O Ring	41	6637	1	Lip Seal
6	6605	1	Ring	42	6638	4	Bolt
7	6606	1	Bypass Valve	44	6639	2	Chk Valve Plug
8	6607	2	Straight Pin	45	6640	2	O Ring
9	6608	2	Gasket	46	6641	2	Chk Valve Spring
10	6609	2	Roller Bearing	47	6642	2	Ball
11	6610	1	Pump Valve Plate	49	6643	1	Plug
12	6611	2	Thrust Plate	50	6644	1	O Ring
13	6612	4	Bolt	51	6645	2	Shim Pack
14	6613	1	Pump Housing	52	6646	1	Chk Rel Val Spring
15	6614	1	Ball Bearing	53	6647	1	Chk Rel Val Cone
16	6615	1	Retaining Ring	54	6648	1	Imp Rel Val Cone
17	6616	1	Retaining Ring	55	6649	1	Imp Rel Val Spring
19	6617	1	Retaining Ring	56	6650	2	Shim Pack
20	6618	2	Retaining Ring	57	6651	1	O Ring
21	6619	1	Trunion Shaft	58	6652	1	Plug
22	6620	2	Washer	66	6653	1	Motor Valve Plate
23	6621	2	Lip Seal	67	6654	1	Motor Shaft
24	6622	2	Needle Bearing	68	6655	1	Motor Housing
25	6623	1	Trunion Shaft	69	6656	1	Ball Bearing
26	6624	1	Swashplate	72	6657	1	O Ring
27	6625	3	Spring Pin	77	6658	1	Accel Valve
28	6626	2	Plug	79	6659	2	O Ring
29	6627	1	Accel Valve				
30	6628	2	O Ring				
31	6629	1	Accel Spring				
33	6630	6	Pipe Plug				
34	6631	1	Plug				
36	6632	1	O Ring				

TRANSAXLE

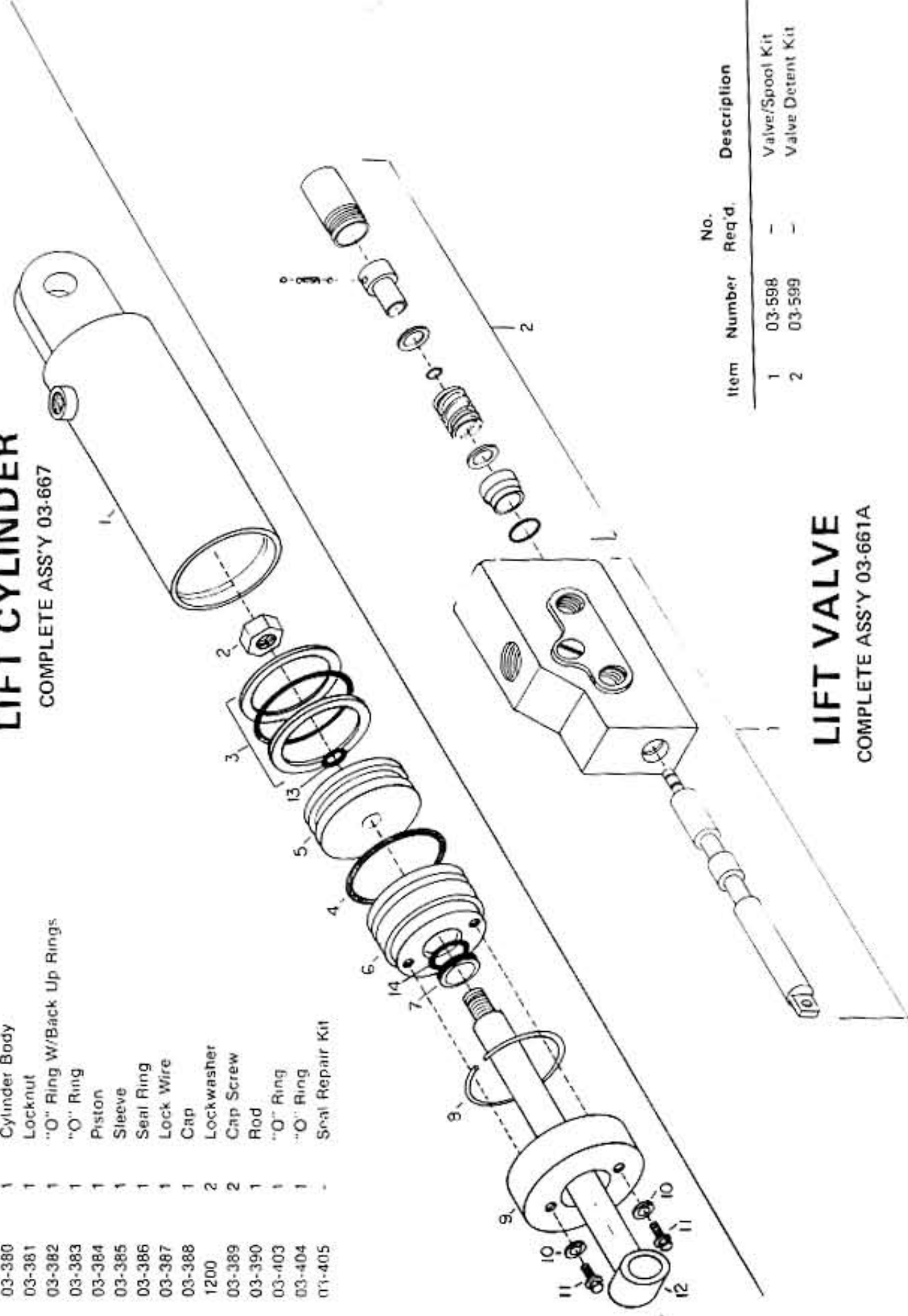
COMPLETE ASS'Y 05-001



Item	Number	No. Req'd.	Description	Item	Number	No. Req'd.	Description
1	6100	1	Upper Housing	28	6113	2	Gear
2	6101	1	Lower Housing & Tube Ass'y	29	6039	2	Thrust Washer
3	6029	1	Plug	30	6067	4	Bolt
4	6102	1	Retain Ring	31	6020	1	Gasket
5	6103	1	Shim Washer	32	6021	2	Pin
6	6104	1	Bearing Cone	33	1102	8	Hex Nut
7	6105	1	Bearing Cup	34	1201	8	Lockwasher
8	6050	1	Spacer	35	6019	1	Vent Tube Ass'y
9	6106	Set	Shim	36	6008	2	Seal
10	6107	1	Bearing Cup	37	6114	2	Bearing Retainer
11	6108	1	Bearing Cone	38	6007	2	Bearing Set
12	6109	1	Pinion/Gear Ass'y	39	6083	8	Bolt
14	6020A	1	Gasket	40	6084	8	Locknut
15	6066	1	Cover	41	6115	2	Dust Cover
16	6069	8	Bolt	42	6116	2	Brake Mounting Plate
17	1023	8	Bolt	43	6117	4	Brake Shoe
18	6068	2	Cap	44	6118	2	Spring - Right
19	6037	1	Differential	45	6119	2	Spring - Left
20	6043	1	Pin	46	6120	2	Spring - Lower
21	6038	10	Bolt	47	6121	2	Star Wheel
22	6036	Set	Shim	48	6122	2	Adj. Tube
23	6111	2	Bearing Cone	49	6122	2	Tube
24	6112	2	Bearing Cup	50	6124	2	Seal Plate
25	6065	1	Shaft	51	6125	2	Axle
26	6041	2	Thrust Washer	52	6070	10	Lug Bolt
27	6042	2	Gear	53	6127	4	Lever Ret. Clip
				54	6126	2	Brake Lever Ass'y

LIFT CYLINDER COMPLETE ASS'Y 03-667

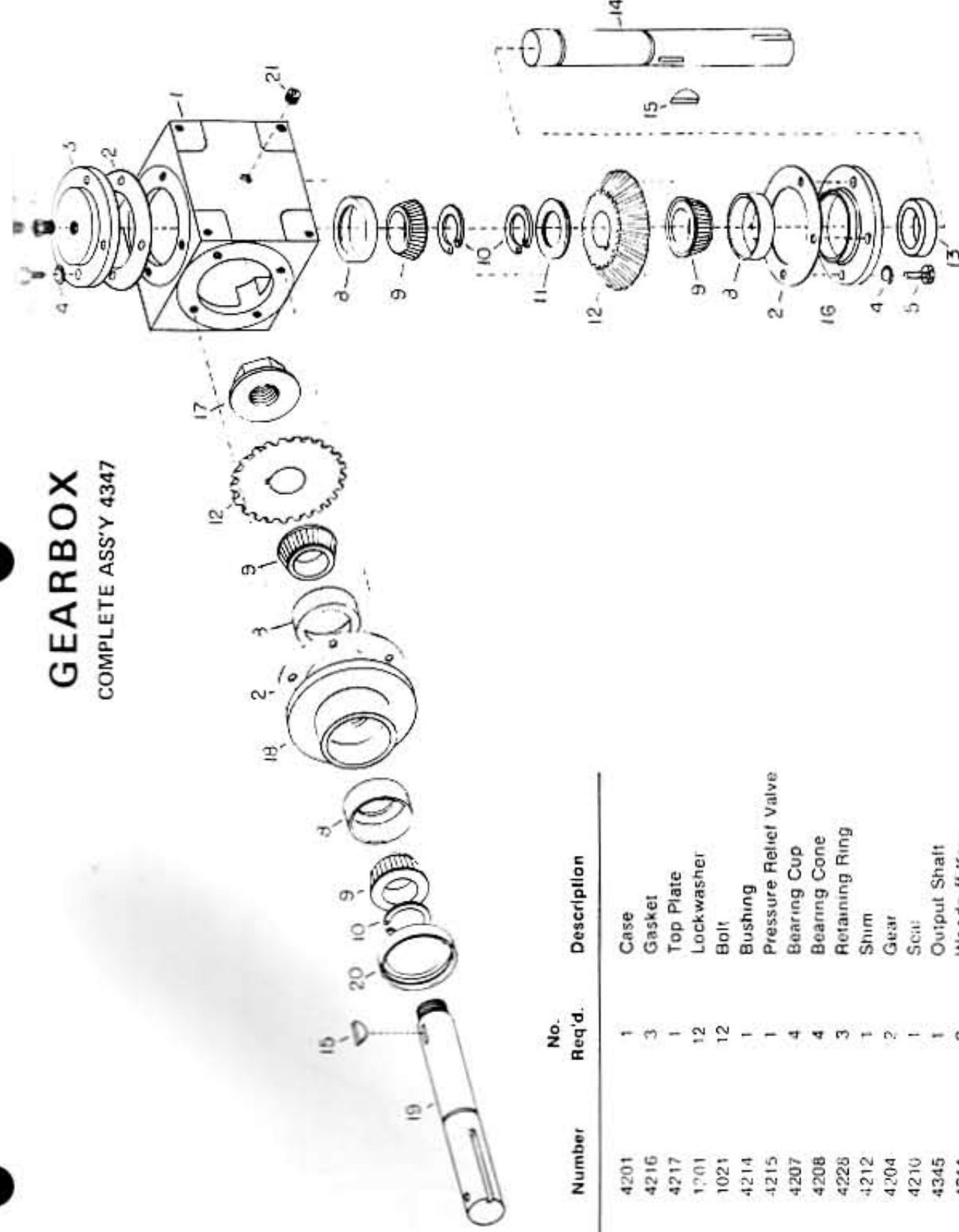
Item	Number	Req'd.	Description
1	03-380	1	Cylinder Body
2	03-381	1	Locknut
3	03-382	1	"O" Ring W/Back Up Rings
4	03-383	1	"O" Ring
5	03-384	1	Piston
6	03-385	1	Sleeve
7	03-386	1	Seal Ring
8	03-387	1	Lock Wire
9	03-388	1	Cap
10	1200	2	Lockwasher
11	03-389	2	Cap Screw
12	03-390	1	Rod
13	03-403	1	"O" Ring
14	03-404	1	"O" Ring
15	03-405	-	Seal Repair Kit



Item	Number	Req'd.	No.	Description
1	03-598	-	-	Valve/Spool Kit
2	03-599	-	-	Valve Detent Kit

LIFT VALVE COMPLETE ASS'Y 03-661A

GEARBOX COMPLETE ASS'Y 4347

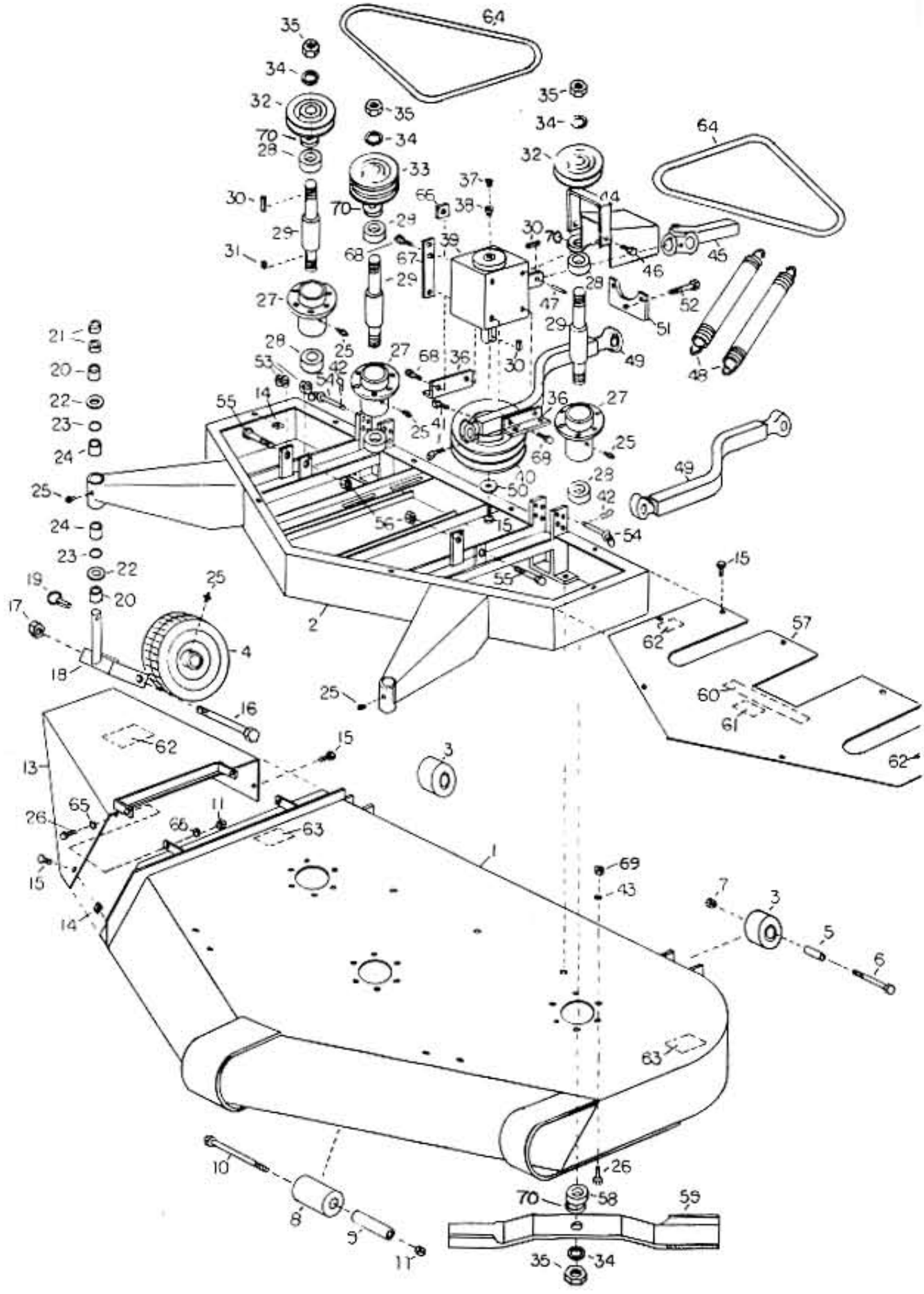


Item	Number	Req'd.	Description
1	4201	1	Case
2	4216	3	Gasket
3	4217	1	Top Plate
4	1701	12	Lockwasher
5	1021	12	Bolt
6	4214	1	Bushing
7	4215	1	Pressure Relief Valve
8	4207	4	Bearing Cup
9	4208	4	Bearing Cone
10	4228	3	Retaining Ring
11	4212	1	Shim
12	4204	2	Gear
13	4210	1	Seal
14	4345	1	Output Shaft
15	4211	2	Woodruff Key
16	4202	1	Bottom Plate
17	4263	1	Adjusting Nut
18	4203	1	Side Plate
19	4262	1	Input Shaft
20	4209	1	Seal
21	4213	3	Plug

60" & 72" ROTARY MOWER

00-227 5/82

14



Item	Number	No. Req'd.	Description	Item	Number	No. Req'd.	Description
1	07-300	1	Grass Pan - 72"	38	4214	1	Reducer Bushing
2	07-310	1	Grass Pan - 60"	39	4347	1	Gearbox
3	03-301	1	Frame - 72"	40	4163	1	Pulley
4	07-311	1	Frame - 60"	41	1225	2	Setscrew
5	4129	2	Caster Wheel - Rear	42	4104	2	Clip Pin
6	04-062	2	Caster Wheel - Front	43	1201	25	Lockwasher - 5/16"
7	4264	2	Bushing	44	07-304	1	Drive Shaft Guard
8	1068	2	Bolt	45	04-119B	1	Drive Shaft "U" Joint Assy - Male
9	1112	2	Locknut - 3/8"	46	1031	4	Bolt - 3/8 x 1
10	4229	1	Roller	47	1132	1	Roll Pin - 5/16 x 1 1/2
11	4260	1	Bushing	48	04-131	2	Spring
12	1080	1	Bolt - 5/16 x 5-1/2	49	07-305	2	Push Arm - 72"
13	1111	23	Locknut - 5/16	50	07-312	2	Push Arm - 60"
14	07-302	1	Chute - 72"	51	1229	1	Flatwasher
15	4294	1	Chute - 60"	52	4340	1	Gearbox Tension Bracket
16	1732	10	"U" Nut	53	1758	1	Adjusting Bolt - 7/16 x 4
17	1000	11	Bolt - 1/4 x 3/4	54	1223	8	Flatwasher - 3/4"
18	1058	2	Axle Bolt - 5/8 x 6"	55	07-015	2	Rear Deck Pin - 72"
19	1113	2	Locknut - 5/8"	56	4287	2	Rear Deck Pin - 60"
20	07-308	2	Caster Yoke	57	1069	2	Bolt - 72" 3/4 x 3-1/2"
21	07-016	2	Klick Pin	58	1085	2	Bolt - 62" 5/8 x 3-1/2"
22	07-000	4	1" Spacer	59	1114	2	Locknut - 72" 5/8 x 3-1/2"
23	07-001	4	1/2" Spacer	60	1113	2	Locknut - 60"
24	1734	4	Flatwasher	61	4344	1	Cover - 72"
25	03-171	4	"O" Ring	62	4343	1	Cover - 60"
26	04-002	4	Bushing	63	07-006A	3	Blade Adaptor
27	1500	5	Grease Fitting	64	07-204	3	Blade - 72"
28	1031	27	Bolt	65	07-108	3	Blade - 60"
29	07-009	3	Blade Hub	66	7039	1	Decal - "Turf Blazer"
30	04-105	6	Blade Shaft Bearing	67	7011	1	Decal - "72"
31	07-113	3	Blade Shaft	68	7012	1	Decal - "60"
32	1310	5	Key	69	7004	3	Decal - "OSHA GUARDS"
33	1317	3	Key	70	00-054	3	Decal - "Rotating Blades"
34	04-067	2	Pulley - 72"	65	3463	2	Belt - 72"
35	04-064	2	Pulley - 60"	66	3462	2	Belt - 60"
36	04-068	1	Pulley - 72"	67	1221	4	Flatwasher - 5/16
37	04-065	1	Pulley - 60"	68	07-313	2	Spacer
	1207	6	Lockwasher - 1"	69	07-314	2	Lift Bracket
	1731	6	Halfnut - 1" - 14	70	1032	4	Bolt - 3/8 x 1-1/4
	07-303	2	Gearbox Mount Bracket	69	1102	25	Hex Nut - 5/16-18
	4215	1	Vent Plug	70	07-011	6	Machine Bushing

00-227 5/82

15