



18155 Edison Ave. • Chesterfield, Mo. 63017

# **TURF BLAZER**

ROTARY MOWERS

**PARTS BOOK**

MODELS:

48-K18

60-K18

60-K18H

60-W18

60-W18H

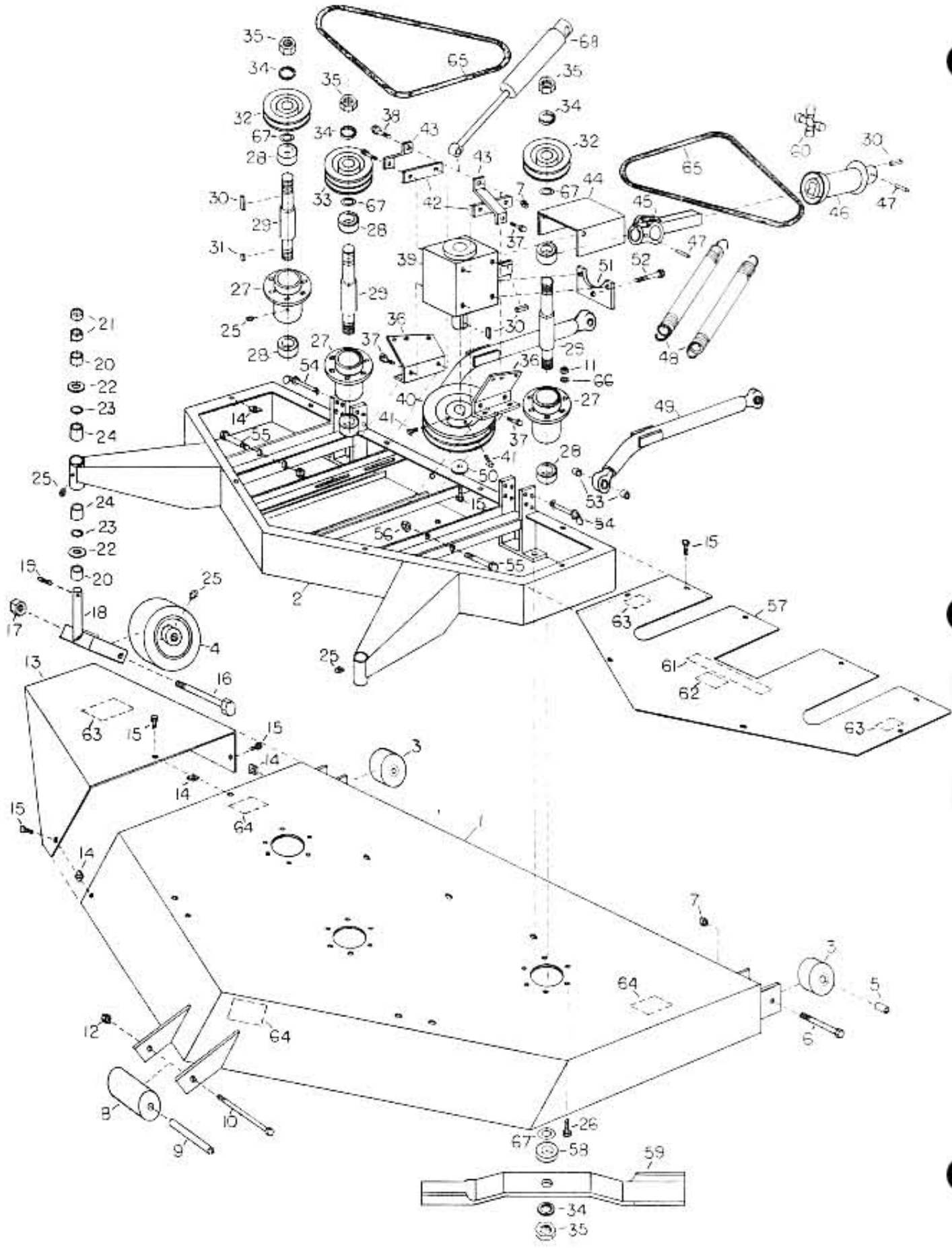
72-K23H

82-K23H

INDEX

	Page
48-60-72 Decks.....	1, 2
82 Deck.....	3, 4
82 Wing Unit.....	5, 6
Gear Case.....	7
Wheels & Tires.....	8
Tractor - Front.....	9, 10
Tractor - Rear.....	11, 12, 13
Miscellaneous.....	14
Transmission.....	15, 16
Differential & Brakes.....	17, 18
Electrical Schematic.....	19
Belt List.....	20

48 60 72 DECK

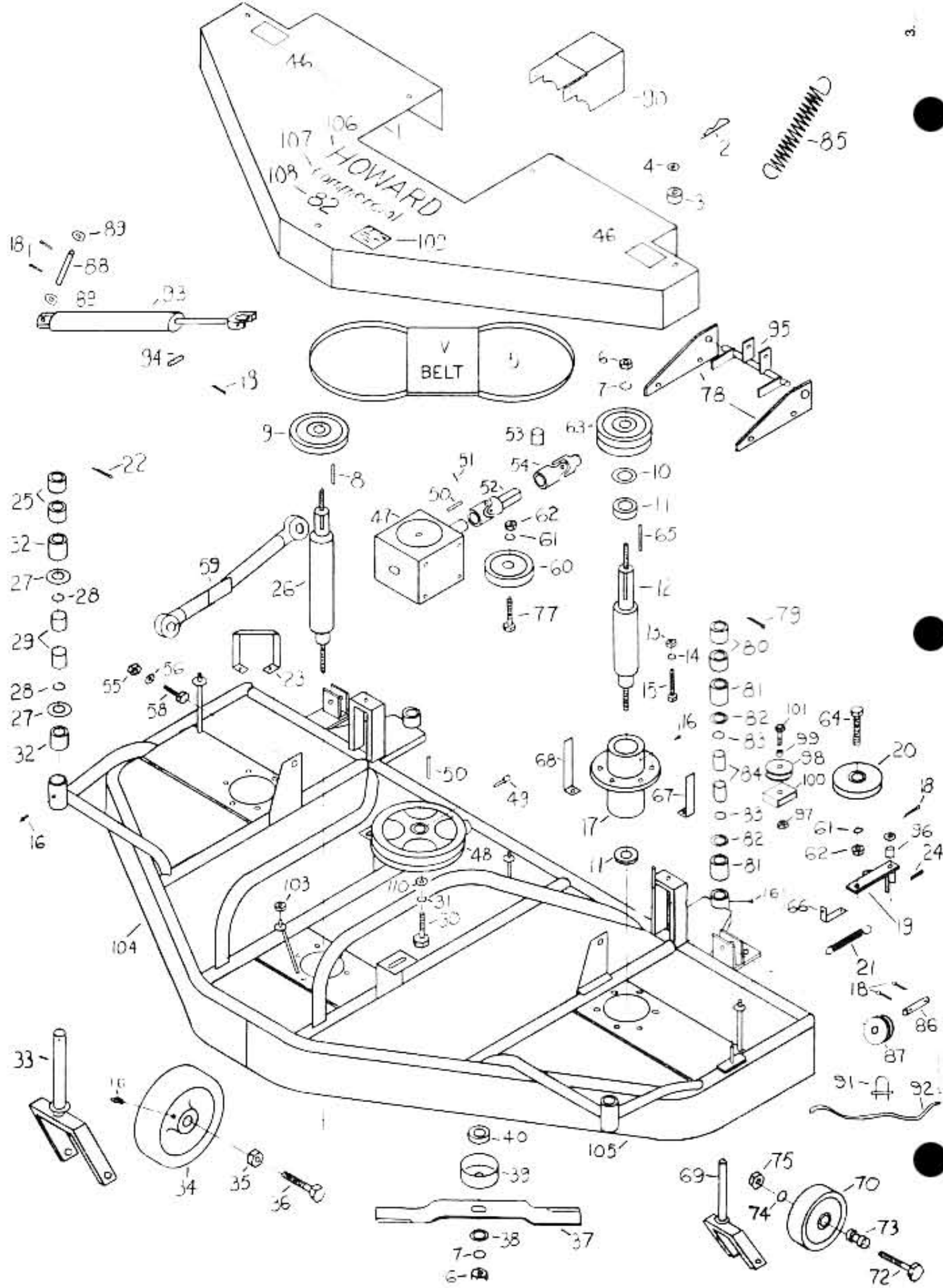


Item Number	Description
1	4288 Grass Pan 48"
	4289 Grass Pan 60"
2	4290 Grass Pan 72"
	4291 Deck Frame 48"
	4292 Deck Frame 60"
	4293 Deck Frame 72"
3	4129 Castor Wheel - Rear
4	4127 Castor Wheel - Front
5	4264 Bushing
6	1041 Bolt 3/8 x 3 1/2
7	1112 Lock Nut 3/8
8	4229 Roller
9	4260 Roller Bushing
10	1080 Bolt 5/16 x 5 1/2
11	1102 Nut 5/16
12	1111 Locknut 5/16
13	4294 Chute 48", 60"
	4295 Chute 72"
14	1732 "U" Nut
15	1000 Bolt 1/2 x 3/4
16	1068 Axle Bolt 5/8 x 5 1/2
17	1113 Locknut 5/8
18	4125 Yoke
19	4198 Clip Pin
20	4118 Spacer 1"
21	4117 Spacer 1/2"
22	1226 Flatwasher 1"
23	4123 "O" Ring
24	4121 Bushing

Item Number	Description
25	1500 Grease Fitting
26	1021 Bolt 5/16 x 1
27	4278 Blade Hub
28	4268 Blade Hub Bearing
29	4276 Blade Shaft
30	1300 Key
31	1301 Key
32	4107 Pulley 48, 60"
	4220 Pulley 72"
33	4274 Pulley 48, 60"
	4275 Pulley 72"
34	1206 Lockwasher 3/4"
35	1107 Jam Nut 1/4" SAE
36	4296 Gearbox Mt. Left
	4297 Gearbox Mt. Right
37	1031 Bolt 3/8 x 1
38	1035 Bolt 3/8 x 2
39	4347 Gearbox
40	4143 Pulley 48"
41	1125 Pulley 60, 72"
42	4298 Setscrew 5/16 x 1
43	4299 Spacer
44	4336 Lift Bracket
45	4280 Drive Shaft - Guard
46	4281 Drive Shaft - Deck
47	1139 Drive Shaft - Tractor
48	4169 Roll Pin 5/16 x 2
49	4330 Spring
	4330 Push Arm

Item Number	Description
50	1229 Gearbox Washer
51	4340 Gearbox Tension Brkt.
52	1758 Adjusting Bolt 7/16 x 4
53	4341 Push Arm Spacer
54	4287 Hanger Pins
55	1065 Bolt 5/8 x 3 1/2
56	1113 Locknut 5/8
57	4342 Cover 48"
	4343 Cover 60"
	4344 Cover 72"
58	4277 Blade Adaptor
59	4282 Blade 48"
	4283 Blade 60"
	4284 Blade 72"
60	4146 "U" Joint Bearing Kit
61	7039 Decal-Turf Blazer
62	7013 Decal - 48
	7012 Decal - 60
	7011 Decal - 72
63	7004 Decal - OSHA Guards
64	00-019 Decal - Rotating Blades
65	3215 Belt 48"
	3462 Belt 60"
	3463 Belt 72"
66	1201 Lockwasher 5/16"
	4348 Hub Assembly Complete
	Includes 27, 28, & 29
67	1232 Mach. Bushing 3/8"
68	4188 Lift Cylinder

82" DECK



82" DECK

Item Number	Description
1	Hood
2	Clip Pin
3	Mount
4	Flat Washer 3/8"
5	Belt L
6	Belt R
7	LH Nut 5/8"
8	LH Lockwasher 5/8"
9	Key 3/16" x 1"
10	Pulley
11	Flat Washer 3/4"
12	Bearing
13	Shaft
14	Nut 5/16"
15	Lockwasher 5/16"
16	Bolt 5/16" x 1"
17	Bolt 5/16" x 1 1/2"
18	Grease Fitting
19	Hub
20	Cutter Pin
21	Idle Arm
22	Idle Pulley
23	Spring
24	Pin
25	Guard
26	Roll Pin 3/16" x 1 3/4"
27	Spacer
28	Shaft Center
29	Flat Washer
30	O Ring
31	Bushing
32	Bolt 5/16" x 1"
33	Gearbox Washer
34	Yoke
35	Caster Wheel - Front

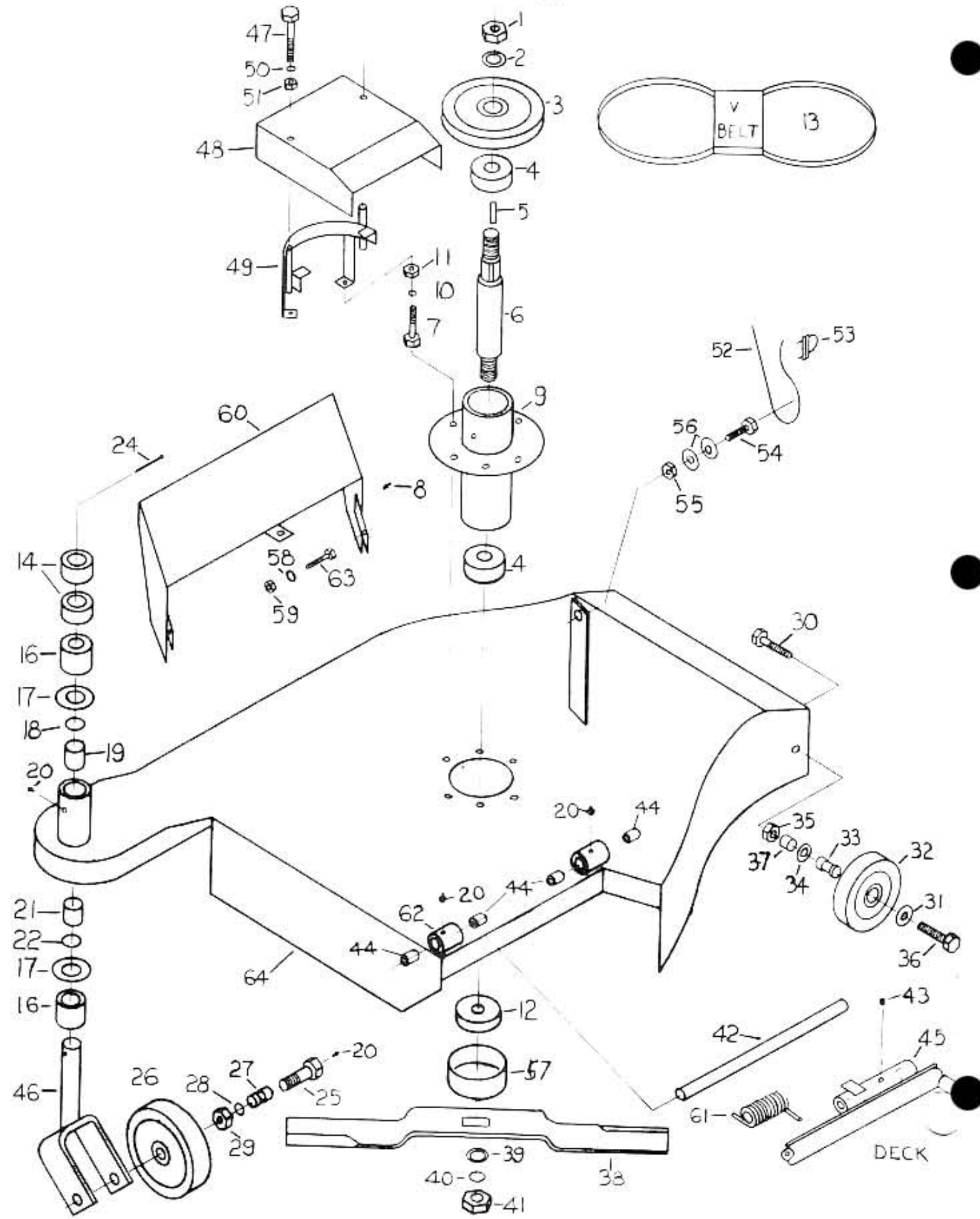
Item Number	Description
35	Locknut 5/8"
36	Axle Bolt 5/8" x 5 1/2"
37	Blade
38	Cup Washer 5/8"
39	Dust Cup
40	Blade Adaptor
41	Decal - Caution
42	Gearbox
43	Pulley
44	Set Screw
45	Key 1/2" x 1"
46	Roll Pin 5/16" x 2"
47	Covered Drive Shaft (male)
48	U Joint Bearing
49	Covered Drive Shaft (female)
50	Keeper
51	Jam Nut 5/8"
52	Lockwasher 5/8"
53	Bolt 5/8" x 1 3/4"
54	Arm
55	Idle Pulley
56	Lockwasher 3/8"
57	Nut 3/8"
58	Pulley
59	Bolt 3/8" x 1 3/4"
60	Key
61	Idle Pulley Guard
62	Finger Guard
63	Finger Guard
64	Yoke
65	Caster Wheel - Rear (includes #73)
66	Bolt 5/8 x 3 1/2"
67	1065

Item Number	Description
73	Bushing
74	Lockwasher 5/8"
75	Nut 5/8"
76	Bolt 3/8" x 1 1/2"
77	Hydro Lift Bracket Side
78	Clip Pin
79	Spacer
80	Spacer
81	Flat Washer
82	O Ring
83	Bushing
84	Spring
85	Cable Shaft
86	Cable Pulley
87	Pin, Deck Cylinder
88	Washer 3/4"
89	Drive Shaft Cover
90	Cable Clamp
91	Hydro Lift Cable
92	Deck Cylinder
93	Clevis Pin
94	Hydro Lift Bracket Center
95	Bushing
96	Locknut 3/8"
97	Cable Pulley
98	Bushing
99	Cover Guard
100	Bolt 3/8" x 1"
101	Locknut 3/8"
102	Deck Guard
103	Deck Guard
104	(Decal - Howard)
105	(Decal - Turf Blazer)
106	(Decal - Commercial)
107	(Decal - 82)
108	(Decal - Caution)
109	Washer, Gearbox
110	Bearing
111	4270

Not Pictured:

4250	Hub, complete includes #26, 17, 15 & 11
4251	Hub, complete includes #17, 18, 12 & 11
4261	Wing Flap

82" WING UNIT



82" WING UNIT

Item Number	Description
1	LH Nut 5/8"
2	LH Lockwasher 5/8"
3	Pulley
4	Bearing
5	Key 3/16" x 1"
6	Shaft
7	Bolt 5/16" x 1 1/4"
8	Bolt 5/16" x 1"
9	Grease Fitting
10	Hub
11	Lockwasher 5/16"
12	Nut 5/16"
13	Adapter
14	Bolt
15	Spacer 1/2"
16	Spacer 1"
17	Washer 3/4"
18	O Ring 3/4"
19	Bushing 3/4"
20	Grease Fitting
21	Bushing 3/4"
22	O Ring 3/4"
24	Clinch Pin

Item Number	Description
25	Axle
26	Wheel (includes #27)
27	Bushing
28	Lockwasher 5/8"
29	Jam nut 5/8"
30	Bolt 3/8" x 3"
31	Flat Washer 3/8"
32	Caster (includes #33)
33	Bushing
34	Flat Washer 3/8"
35	Locknut 3/8"
36	Bolt 3/8" x 3 1/2"
37	Spacer
38	Blade
39	Cupped Washer 5/8"
40	Lockwasher 5/8"
41	LH Nut 5/8"
42	Wing Shaft
43	Set Screw 5/16" x 1/4"
44	Bushing 5/8"
45	Hinge (weld on)
46	Yoke
47	Bolt 5/16" x 3 1/2"

Item Number	Description
48	Bolt Guard Cover
49	Belt Guard L
50	Belt Guard R
51	Lockwasher 5/16"
52	Nut 5/16"
53	Hydro Cable
54	Cable Clamp
55	Bolt 3/8" x 1"
56	Locknut 3/8"
57	Flat Washer 5/16"
58	Dust Cup
59	Lockwasher 1/4"
60	Nut 1/4"
61	Chute 82
62	Wing Spring
63	Hinge (weld on)
64	Bolt 1/4" x 1"
65	Guard (weld on)
	Bearing

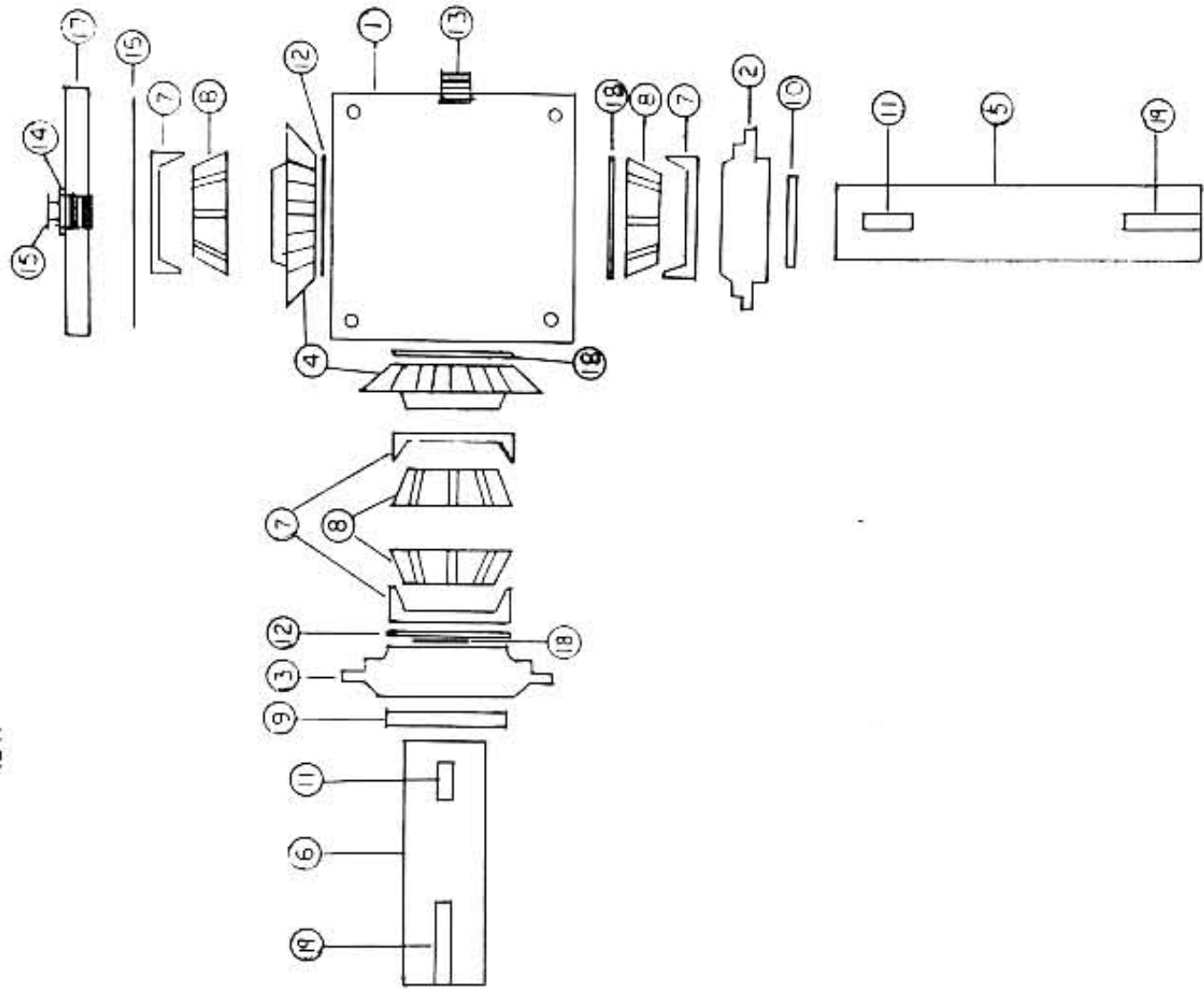
Not Pictured:  
4250

Hub, complete  
includes: #4, 5, 8 & 9



**Gear Case**  
4142  
4347

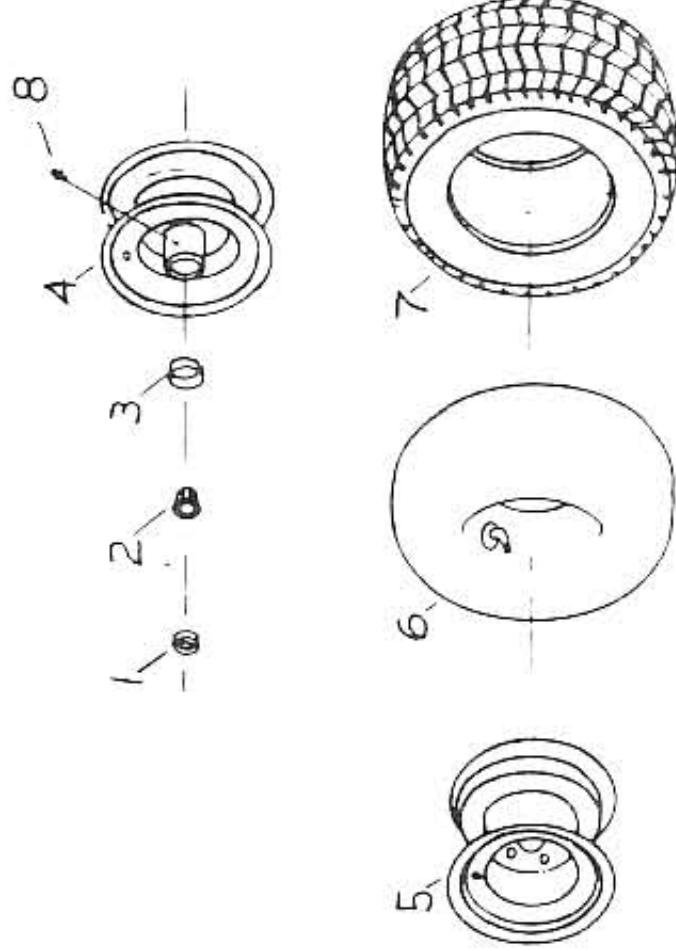
- 1) 4201 Case
- 2) 4202 Lower Bearing Housing
- 3) 4203 Side Bearing Housing
- 4) 4204 Gear
- 5) 4205 Lower Shaft
- 6) 4206 Side Shaft
- 7) 4207 Bearing Cup
- 8) 4208 Bearing
- 9) 4209 Seal
- 10) 4210 Seal
- 11) 4211 Key
- 12) 4212 Shim
- 13) 4213 Plug
- 14) 4214 Breather Bushing
- 15) 4215 Pressure Relief Valve
- 16) 4216 Gasket
- 17) 4217 Upper Plate
- 18) 4218 Snap Ring
- 19) 4219 Key 1/4 x 1"



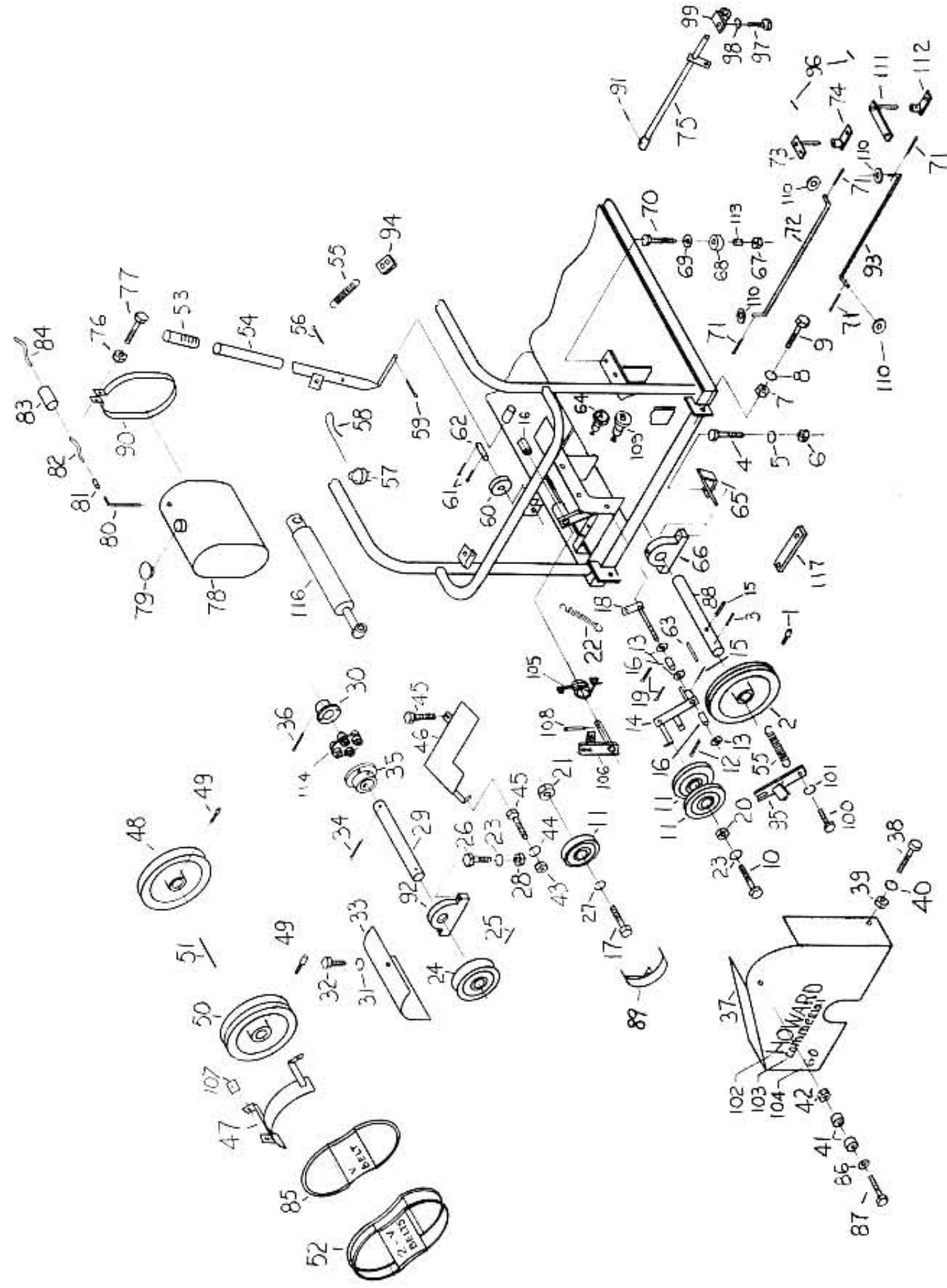
7.

**Wheels And Tires**

Item Number	Description
1	Seal
2	Bearing Cone
3	Bearing Cup
4	Rear Wheel
5	Drive Wheel
6	Tube, Rear (repair)
7	Tube, Drive (repair)
8	Tire, Rear
	Tire, Drive
	Grease Fitting
<b>Not Pictured:</b>	
5128	Valve Stem
5133	Rear Wheel Assy. (Includes #3, 4, 7, 8, and 5128)
5134	Drive Wheel Assy. (Includes #5, 7, and 5128)



### Tractor - Front



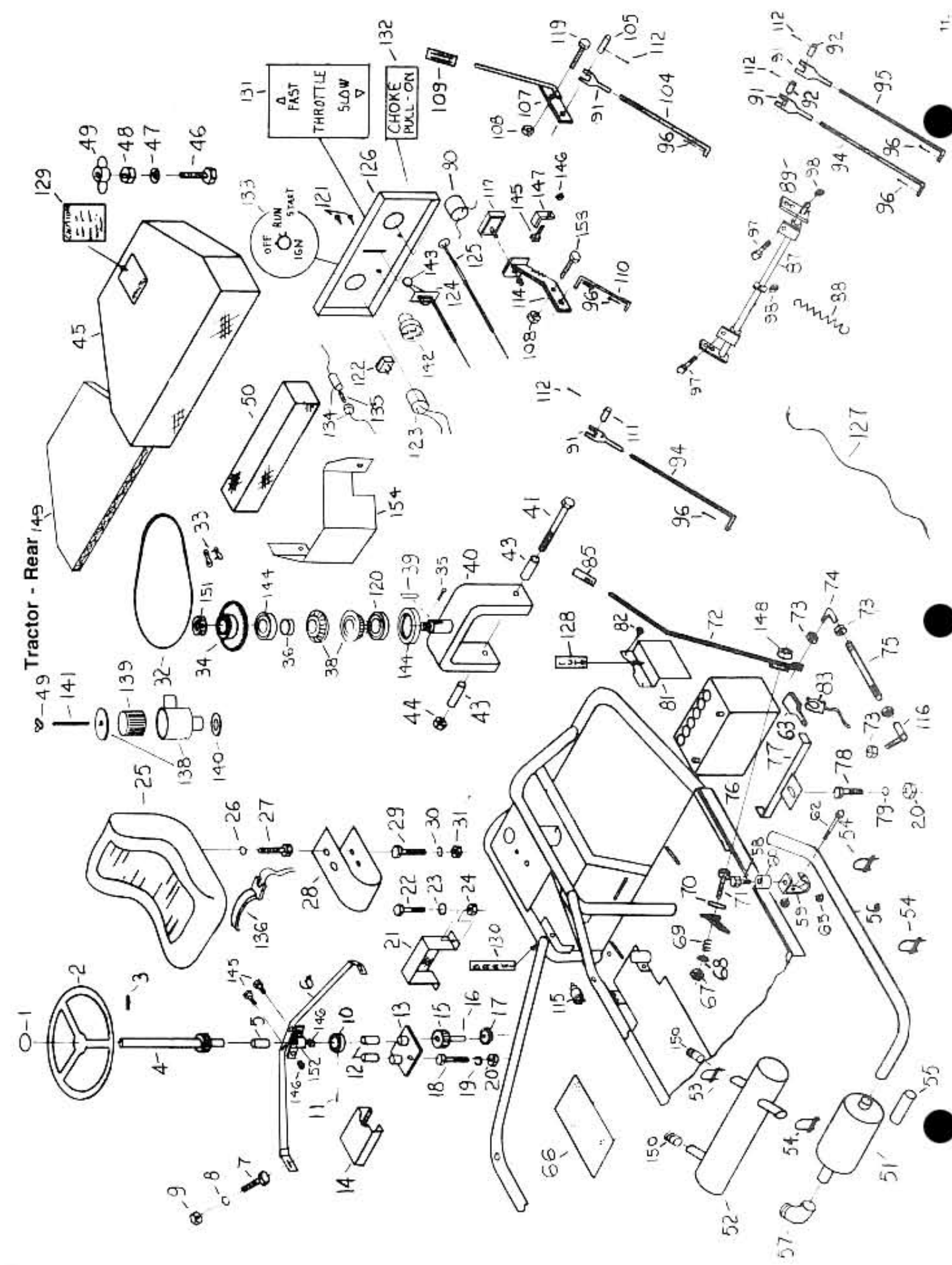
### Tractor - Front

Item	Number	Description
1	1125	Set Screw
2	5113	Pulley
3	1139	Roll Pin
4	1033	Bolt 3/8" x 1 1/2"
5	1202	Lockwasher 3/8"
6	1103	Nut
7	1120	Jam Nut 5/8"
8	1205	Lockwasher 5/8"
9	1060	Bolt 5/8" x 1 3/4"
10	1039	Bolt 3/8" x 3"
11	5213	Idler Pulley
12	1600	Cotter Pin
13	1227	Washer 5/8"
14	5258	PTO Idler Arm
15	1132	Roll Pin 3/4 x 1 1/2"
16	4173	Bushing
17	1035	Bolt 3/8" x 2"
18	5186	Idler Shaft
19	1600	Cotter Pin
20	1103	Nut 3/8"
21	1103	Nut 3/8"
22	4114	Idler Spring
23	1203	Lockwasher 3/8"
24	5003	Pulley
25	1132	Roll Pin 3/4" x 1 1/2"
26	1034	Bolt 3/8" x 1 3/4"
27	1222	Flatwasher 3/8"
28	1103	Nut 3/8"
29	5004	Drive Shaft
30	5005A	Transmission Hub
31	1201	Lockwasher 5/16"
32	1020	Bolt 5/16" x 3/4"
33	5179	Drive Shaft Cover
34	1132	Roll Pin 1/2" x 1 1/2"
35	5005B	Jackshaft Hub
36	1132A	Steel Pin
37	5189	Shroud 18 HP
38	5190	Shroud 19.9 HP
39	1021	Bolt 5/16" x 1"
40	1102	Nut 5/16"
41	4105	Mount
42	1111	Locknut 5/16"
43	1102	Nut 5/16"
44	1202	Lockwasher 5/16"
45	1024	Bolt 5/16" x 1 1/4"
46	5253	Rear Shroud Guard

Item	Number	Description
47	5262	Engine Belt Guard 18HPK
	5240	Engine Belt Guard 19.9 HP
48	5010	Engine Pulley Trans. 16 & 19.9 HP 18 HP Kohler Engine Pulley Trans. 18 HP Kohler
	5273	18 HP Kohler
49	1225	Set Screw 5/16" x 1"
50	5011	Engine Pulley PTO 16 & 19.9 HP 18 HP Kohler
	5274	18 HP Kohler
51	1405	Key 3/8" x 3 3/4"
52	3223	Belt Set PTO 18 HP Kohler
	3224	Belt Set PTO 18 HP Wisconsin
	3225	Belt Set PTO 19.9 HP
53	5012	Handle Grip
54	5014	Spring
55	5013	Cotter Pin
56	1612	Spring
57	1700	Cable Clamp
58	5015	Cable
59	1600	Cotter Pin
60	5016	Cable Pulley
61	1600	Cotter Pin
62	5017	Cable Pulley Shaft
63	1311	Key 1/2" x 2"
64	5018	Safety Switch N/O
65	5180	Belt Guard
66	5020	Pillow Block 1"
67	1112	Locknut 3/8"
68	5214	Mount
69	1230	Flat Washer 3/8" Special
70	1039	Bolt 3/8" x 3"
71	1600	Cotter Pin
72	5197	PTO Linkage
73	5198	PTO Clutch Counter Shaft
74	5199	Counter End
75	5200	Trans. Engaging Shaft 18 HP Kohler & Wisconsin 19.9 HP
	5201	Trans. Engaging Shaft
76	1101	Nut 1/4"
77	1007	Bolt 1/4" x 2"
78	5087	Gas Tank (Includes #79) 48 & 60
	5222	Gas Tank (Includes #79) 72 & 82

Item	Number	Description
79	5088	Gas Cap
80	5089	Suction Tube 48 & 60
	5210	Suction Tube 72 & 82
81	5090	Gas Fitting
82	5091	Gas Line
83	5092	Filter
84	5093	Gas Line
85	3243	Belt, Transmission 18 HP Wis
	3244	Belt, Transmission 19.9 HP
	3245	Belt, Transmission 18 HP Kohler
86	1221	Washer 5/16"
87	1024	Bolt 5/16" x 1 1/4"
88	5094A	PTO Shaft
89	5246	Transmission Belt Guard
90	5096	Gas Tank Strap 48 & 60
	5223	Gas Tank Strap 72 & 82
91	1131	Roll Pin 1/4" x 1"
92	5021	Pillow Block 3/4"
93	5247	Transmission Linkage Rod
94	5187	Spring Tab
95	5177	PTO Brake
96	1131	Roll Pin 1/4" x 1"
97	1021	Bolt 5/16" x 1"
98	1201	Lockwasher 5/16"
99	5204	Transmission Arm Support Bracket
100	1083	Shoulder Bolt 3/8" x 3/8"
101	1201	Lockwasher 5/16"
102	7039	Decal - Turf Blazer
103	7003	Decal - Commercial
104	7010	Decal - 82
	7011	Decal - 72
	7012	Decal - 60
	7013	Decal - 48
105	5224	Transmission Idler Spring
106	5248	Transmission Idler Arm
107	5205	Spacer 19.9 HP
108	1134	Roll Pin 1/4" x 2 1/4"
109	5018	Safety Switch N/O 15 & 19.9 HP K.
	5221	Safety Switch N/C 18 HP Wis
110	1221	Flat Washer 5/16"
111	5249	Transmission Clutch Counter Shaft
112	5250	Counter End
113	5215	Engine Mount Bushing 18.9 HP
114	5005C	Coupling Center
	5005	Coupling-Includes 5005A, 5005B, 5005C
116	4186	Lift Cyl.
117	4355	Pillow Block Shim

Not Pictured



Tractor - Rear

Item	Number	Description
1	5072	Steering Wheel Cap
2	5071	Steering Wheel
3	1132	Roll Pin 1/4" x 1 1/2"
4	5070	Steering Shaft
5	5069	Bushing
6	5073	Steering Shaft Yoke
7	1025	Bolt 5/16" x 2"
8	1201	Lockwasher 5/16"
9	1102	Nut 5/16"
10	5115	Collar
11	1126	Set Screw 5/16" x 1/4"
12	5069	Bushing
13	5074	Steering Bracket
14	5075	Guard
15	5057	Steering Gear
16	1132	Roll Pin 1/4" x 1 1/2"
17	5058	Steering Sprocket
18	1021	Bolt 5/16" x 1"
19	1201	Lockwasher 5/16"
20	1102	Nut 5/16"
21	5148	Fan Guard
22	1003	Fan Guard, Hydraulic
23	1200	Lockwasher 1/2"
24	1101	Nut 1/2"
25	5217	Seat
26	1203	Lockwasher 1/2"
27	1050	Bolt 1/2" x 1"
28	5251	Seat Spring
29	1021	Bolt 5/16" x 1"
30	1201	Lockwasher 5/16"
31	1102	Nut 5/16"
32	5063	Steering Chain
33	5064	Master Link
34	5278	Steering Sprocket
35	1608	Cotter Pin
36	5268	Spacer
37	5270B	Bearing Cone
38	1310	Key 1/4" x 1"
40	5271	Rear Yoke
41	5068	Axle
43	4119	Spacer
44	1114	Locknut 1/2"
45	5151	Hood 19.9 HP
46	1007	Hood 18 HP Kohler
47	1200	Bolt 1/2" x 2"
48	1101	Lockwasher 1/4"
49	1720	Wing Nut
50	5054	Manifold Screen 18 HP Wis
51	5055	Muffler 18 HP Wisconsin
52	5280	Muffler 18 HP Kohler
52	5129	Muffler 19.9 HP
53	5130	Clamp 19.9
54	5050	Clamp 18 HP Wisconsin
54	5050	Clamp 18 HP Kohler
55	5281	Clamp 18 HP Wisconsin
55	5053	Clamp 18 HP Kohler
55	5154	Front Pipe 19.9 HP
56	5252	Exhaust Pipe 18 & 19.9 HP
56	5267	Exhaust Pipe 18 HP Kohler
57	5056	Elbow 18 HP Wisconsin
58	1023	Bolt 5/16" x 1 1/2"
59	5254	Tail Pipe Bracket
60	4105	Mount
62	1025	Bolt 5/16" x 2"
63	5132	Terminal Cover
65	1111	Locknut 5/16"
66	5047	Foot Pad
67	1111	Locknut 5/16"
68	1221	Flat Washer 5/16"
69	5034	Spring
70	5033	Friction Pad
71	1027	Bolt 5/16" x 2 1/4"
72	5156A	Shift Lever Assembly
73	1115	Locknut 5/16" SAE
74	5026	Ball Joint
75	5206	Linkage
76	5037	Battery
77	5036	Battery Holder
78	1021	Bolt 5/16" x 1"
79	1201	Lockwasher 5/16"
81	5157	Battery Cover L
81	5158	Battery Cover R
82	1710	Screw
83	5141	Battery Cable
83	5142	Battery Cable
83	5142	(Positive) 18 HP
85	5279	Crossover Cable 18 HP
85	5038	Kohler (Solenoid to Starter)
85	5038	Grip



**Tractor - Rear**

Item	Number	Description	Item	Number	Description	Item	Number	Description
86	5266	Crossover Shaft Assembly	126	5284	Choke 18 HP Kohler (on eng.)	150	5270A	Bearing Cup
88	4114	Spring	127	5172	Dash 18 HP Kohler		5270B	Bearing Cone
90	5122	Hour Meter	127	5173	Dash 19.9 HP Kohler	151	1701	Hex Nut 1"
91	5164	18 & 19.9 HP Kohler	127	5287	Wiring Harness 18 HP Kohler	152	5265	Steering Shaft Bracket
92	5160	Yoke Clevis 3/8"	128	5238	Wiring Harness 19.9 HP Koh.	153	1759	Bolt 1/2" x 2"
94	5261	Clevis Pin	129	5237	Wiring Harness 18 HP Wisc.	154	5235	Heat Shield 19.9 HP
95	5262	Brake Linkage	129	7020	Decal PTO Engaging	<b>Not Pictured:</b>		
96	1609	Clutch Linkage	129	7005	Decal Caution	5146		Ignition Key
97	1021	Cotter Pin	130	7031	Decal Brake & Clutch (On Battery Cover)	5148		Throttle Shaft Collar 18 HP W.
98	1111	Bolt 5/16" x 1"	131	7023	Decal Throttle 18 & 19.9 HP K.	5220		Throttle Push Shaft 18 HP Wisc.
104	5163	Locknut 5/16"	132	7025	Decal Throttle 18 HP Wisconsin	5226		Exhaust Gasket 18 HP Kohler
105	5160	PTO Linkage	132	7028	Decal Choke	7029		Decal - Trans. Caution
107	5165	Clevis Pin	133	7019	Decal Ignition			
108	1116	PTO Engaging Arm	134	5169	Fuse Holder 18 HP			
109	5038	Locknut 1/2"	135	5170	Fuse			
110	5256	Grip	136	5219	Seat Safety Switch 18 & 19.9 HP K			
114	5283	Brake Linkage	136	5218	Seat Safety Switch 18 HP Wis.			
115	5018	Brake Pedal	136	5136	Seat Safety Switch 18 HP Wis. Air Cleaner Housing (Includes #139 & 140)			
116	5026A	Safety Switch	139	5208	Air Cleaner Element			
117	5276	LH Ball Joint	140	5253	Air Cleaner Gasket			
119	1052	Brake Pad	141	5254	Air Cleaner Stud			
120	5270A	Bolt 1/2" x 1 1/2"	142	5135	Ignition Switch - Kohler			
121	1715	Scrow Throttle	142	5286	Ignition Switch - Wisconsin			
122	5178	Circuit Breaker Assy. 18 & 19.9 HP Kohler	143	5209	Throttle Knob			
123	5171	Amp Gauge	144	5269	Seal			
124	5137	Throttle Control 18 HP Kohler	145	1000	Bolt 1/4" x 3/4"			
125	5138	Throttle Control 19.9 HP K.	146	1110	Locknut 1/2"			
			147	5228	Brake Latch			
			148	5231	Spherical Bearing			
			149	7104	Hood Insulation			



**Miscellaneous**

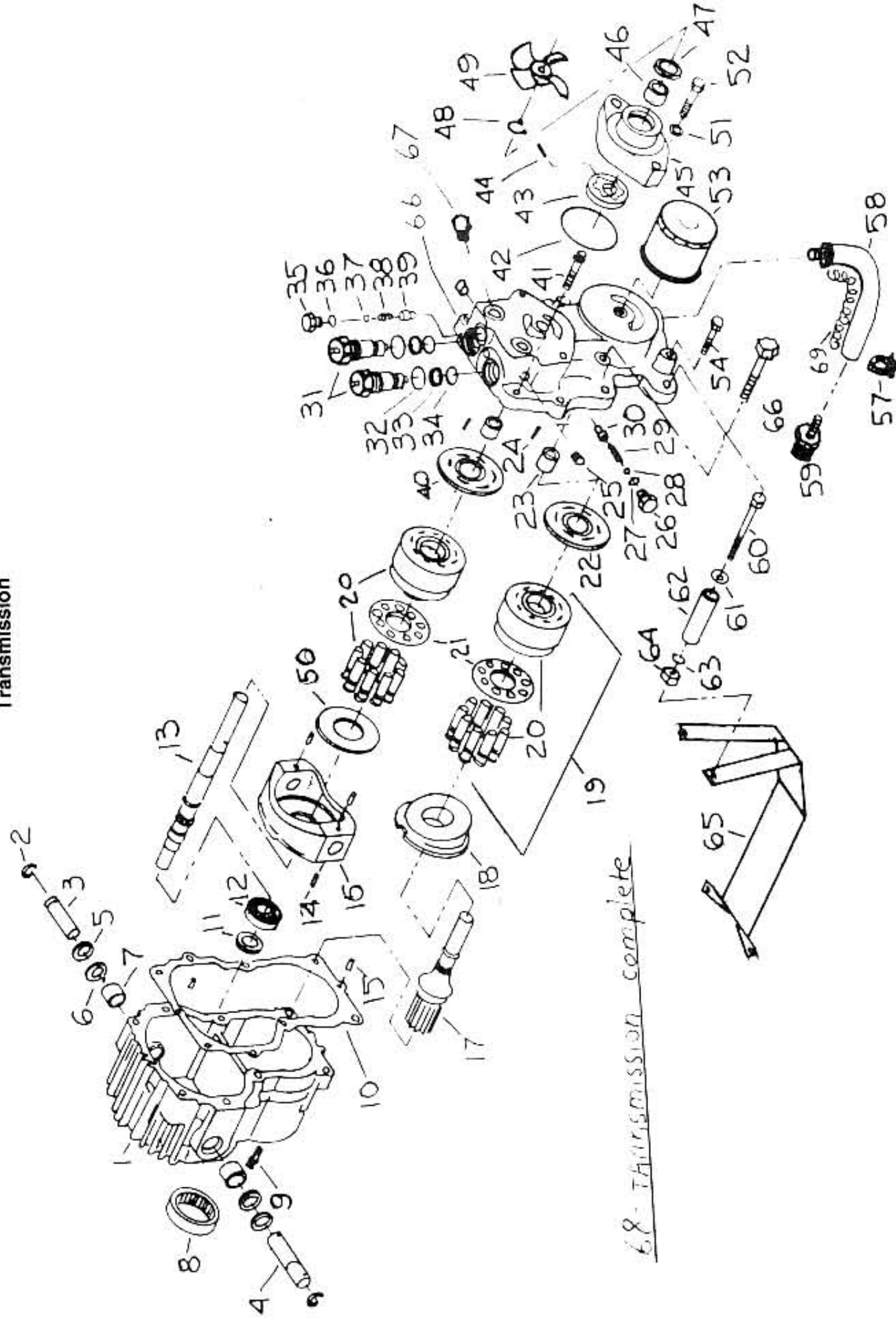
P/N
7004
7005
7007
7009
7010
7011
7012
7013
7018
7019
7020
7021
7022
7023
7024
7025
7026
7027
7028
7029
7030
7031
7038
7039
7040
7041
7042
7043
7000
7001

Vinyl Decals
Caution - Deck
Caution - Tractor
F N R
Float
82
72
60
48
Guards - OSHA
Ignition Switch
Attachment Drive
Caution - Vac Blower
Caution - Chutes
Throttle 16 & 23 HP
Caution - Deck Lift
Throttle 18 HP
Hydraulic Wing 82
Choke 16 HP
Choke 18 & 23 HP
Caution - Transmission
Caution - Vac
Brake & Clutch
HPTE Logo
Turf Blazer
Complete Decal Set 82
Complete Decal Set 72
Complete Decal Set 60
Complete Decal Set 48

**Paint**

Yellow Paint, Aerosol Can
Yellow Paint, 1 Gallon

Transmission



15.

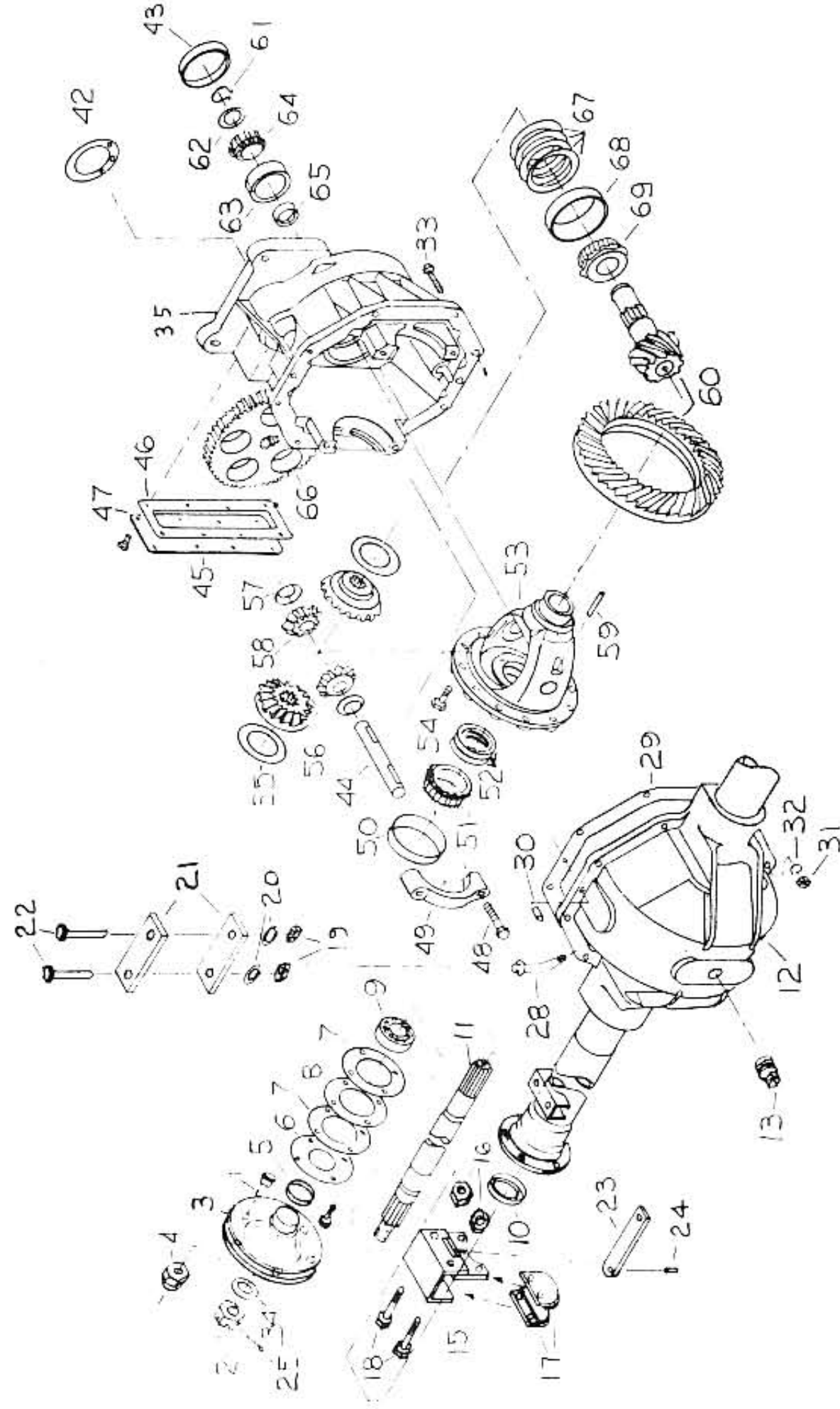
Transmission

Item Number	Description
1	Housing
2	Retaining Ring
3	Trunion Shaft
4	Trunion Shaft
5	Washer
6	Lip Seal
7	Needle Bearing
8	Roller Bearing
9	Cap Screw
10	Gasket
11	Lip Seal
12	Ball Bearing
13	Pump Shaft
14	Spring Pin
15	Pin
16	Swash Plate
17	Motor Shaft
18	Swash Plate
19	Cylinder Block Kit
21	Piston Retaining Ring
22	Motor Valve Plate
23	Needle Bearing
24	Pin
25	Set Screw
26	Hex Head Plug

Item Number	Description
27	"O" Ring
28	Shim Pack
29	Spring
30	Cone
31	Check Valve Assy.
32	"O" Ring
33	Back-up Ring
34	"O" Ring
35	"O" Ring
36	Shim Pack
37	Spring
38	Cone
39	Pump Valve Plate
40	Cap Screw
41	"O" Ring
42	Rotor Assy
43	Pin
44	Charge Pump Housing
45	Needle Bearing
46	Snap Ring
47	Snap Ring
48	Fan
49	Thrust Plate
50	Flat Washer
51	Flat Washer

Item Number	Description
52	Cap Screw
53	Oil Filter
54	Cap Screw
57	Clamp
58	Hose Assembly
59	Fitting 3/4"
60	Bolt, Lower 3/8" x 5" Trans.
	Bolt, Upper 3/8" x 5 1/2" Trans.
1048	Bolt, Upper 3/8" x 5 1/2" Trans.
61	Flat Washer 3/8"
62	Spacer
63	Lock Washer 3/8"
64	Nut 3/8"
65	Trans. Hose Guard
66	Rear Casing
67	Hydraulic Plug
68	Transmission Assy
69	Hose Spring
	Charge Pump Kit includes:
6510	
6537	
6538	
6539	
6540	

**Trans Axle**  
Complete P/N 6061



17.

**Differential**

Item	Number	Description
1	6070	Lug Bolt
2	6062	Castle Nut
3	6078	Wheel Hub
4	6002	Lug Nut
5	6003	Dust Seal Felt
6	6004	Dust Seal
7	6005	Gasket
8	6006	Flange
9	6007	Bearing
10	6008	Oil Seal
11	6009	Axle, Short
12	6010	Axle, Long
13	6012	Differential Casing
14	1600	Check Plug 1/2"
15	6081	Cotter Pin
16	6084	Brake Housing
17	6082	Nut
18	6083	Brake Disc
19	1103	Bolt
20	1202	Nut 3/8"
21	6016	Lockwasher 3/8"
22	1033	Spacer
		Bolt, R 3/8" x 1 1/2"

Item	Number	Description
23	1040	Bolt, L 3/8" x 3 1/4"
24	6079	Brake Cam
25	6086	Spiral Pin 1/4"
28	6019	Cotter Pin 5/32" x 2"
29	6020	Breather Tube
30	6021	Gasket
31	1102	Pin
32	1201	Nut 5/16"
33	1023	Lockwasher 5/16"
34	6063	Bolt 5/16" x 1 1/2"
35	6064	Washer
42	6028	Differential Housing
43	6029	Gasket
44	6065	Plug
45	6066	Pin
46	6020A	Cover Plate
47	6069	Gasket
48	6067	Bolt
49	6068	Bearing Cup
50	6034	Bearing Cup
51	6035	Bearing
52	6036	Shim

Item	Number	Description
53	6037	Differential
54	6038	Bolt, Hardened
55	6039	Thrust Washer
56	6040	Gear
57	6041	Thrust Washer
58	6042	Gear
59	6043	Pin
60	6045	Ring & Pinion
61	6046	Retaining Ring
62	6047	Shim
63	6048	Bearing Cone
64	6049	Bearing
65	6050	Spacer
66	6051	Gear
67	6052	Shim
68	6058	Bearing Cone
69	6054	Bearing

**Not Pictured:**  
6085

Brake Housing Assy. Complete (includes #15, 16, 17, 18, 23 & 24)

18.

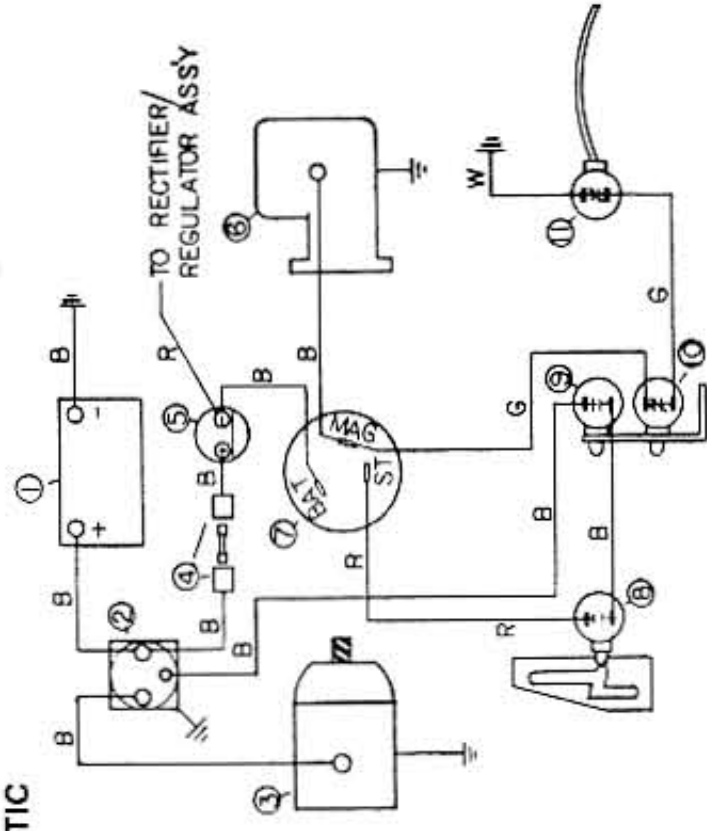
## W-18 TRACTOR ELECTRICAL SCHEMATIC

- 1 Battery 5037
- 2 Solenoid (YC96S1)
- 3 Starter (YA-54)
- 4 Fuse & Holder 5169
- 5 Ammeter 5171 (YE-6)
- 6 Magneto (Y79BS1)
- 7 Ignition Switch (YC-78C)
- 8 Transmission Interlock Switch 5018 N.O.
- 9 PTO Interlock Switch 5018 N.O.
- 10 PTO/Seat Interlock Switch 5221 N.O.
- 11 Seat Interlock Switch 5218 N.O.

**Color Code**

- B Black
- R Red
- W White
- G Green

Wiring Harness 5237



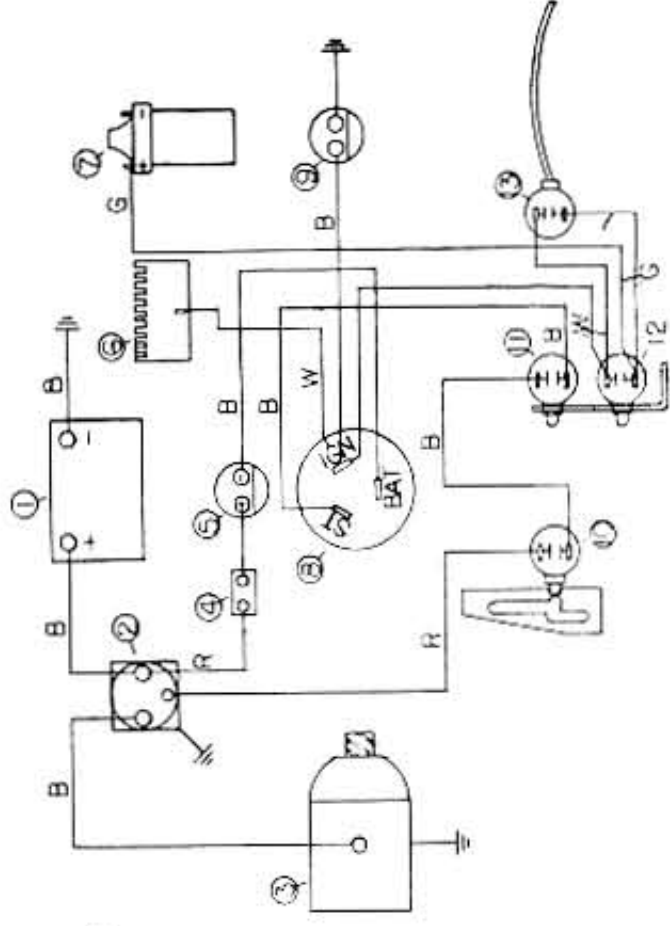
## K-18 K-23 TRACTOR ELECTRICAL SCHEMATIC

- 1 Battery 5037
- 2 Solenoid 5207
- 3 Starter\*
- 4 Circuit Breaker 5178
- 5 Ammeter 5171
- 6 Rectifier\*
- 7 Ignition Coil\*
- 8 Ignition Switch 5135
- 9 Hour Meter 5122
- 10 Transmission Interlock Switch 5018
- 11 PTO Interlock Switch 5018
- 12 PTO/Seat Interlock Switch 5018
- 13 Seat Interlock Switch 5219

**Color Code**

- B Black
- R Red
- W White
- G Green

Wiring Harness  
K-18 5285  
K-23 5238



\*Refer To Kohler Parts Manual

### Belt List

Tractors:		
19.9 HP Kohler	3225 3244	PTO, Matched Set Transmission
18 HP Wisconsin	3224 3243	PTO, Matched Set Transmission
16 HP Kohler	3223 3245	PTO, Matched Set Transmission
<b>Cutting Units:</b>		
82"	3200 3210 3215	Wing Deck L Deck R
72"	3463	Deck
60"	3462	Deck
48"	3215	Deck