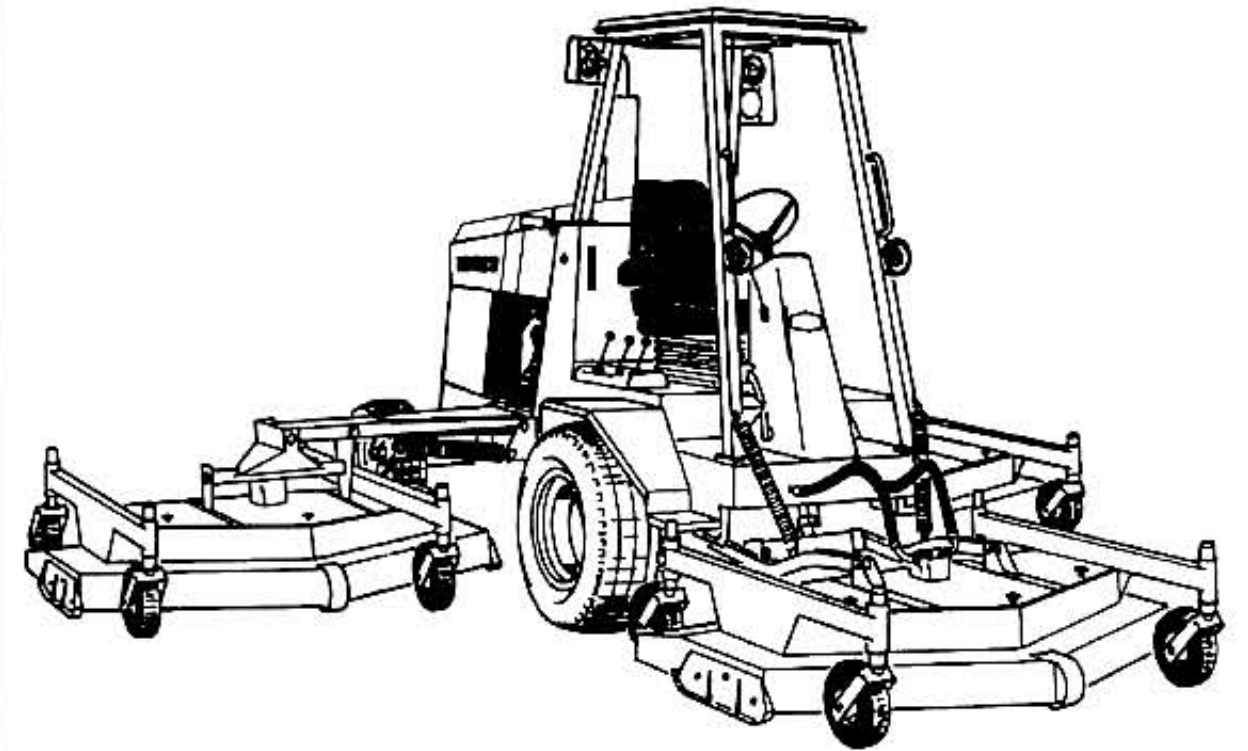




18155 Edison Avenue Chesterfield, MO 63005

HYDRO - POWER 180



PARTS MANUAL



TRACTION UNIT MODELS:

H180
H180T

CUTTING UNIT MODELS:

15' Cut - 06-515
RFD72
RRD60
RLD60

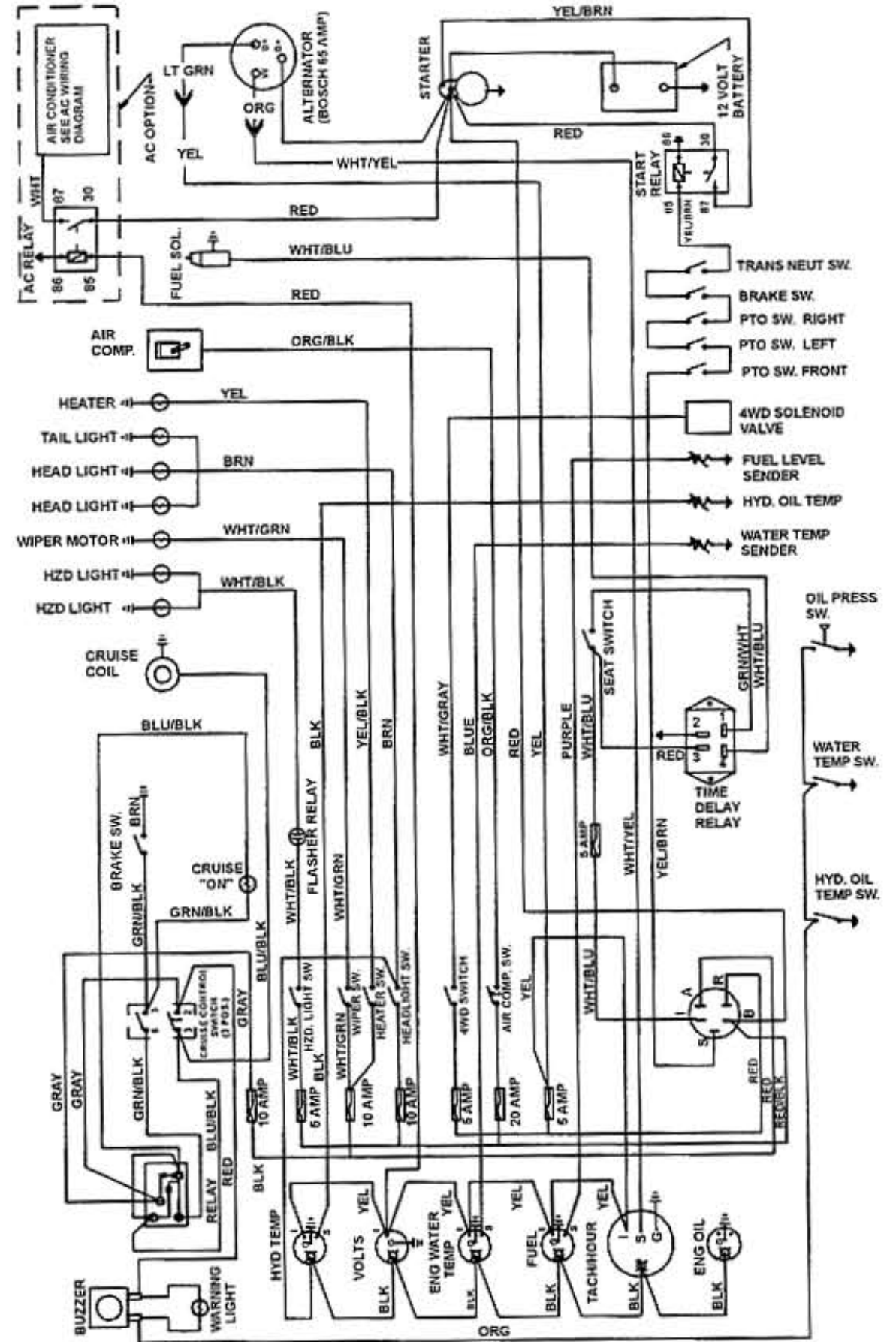
16.5' Cut - 06-520
RFD72
RRD72
RLD72



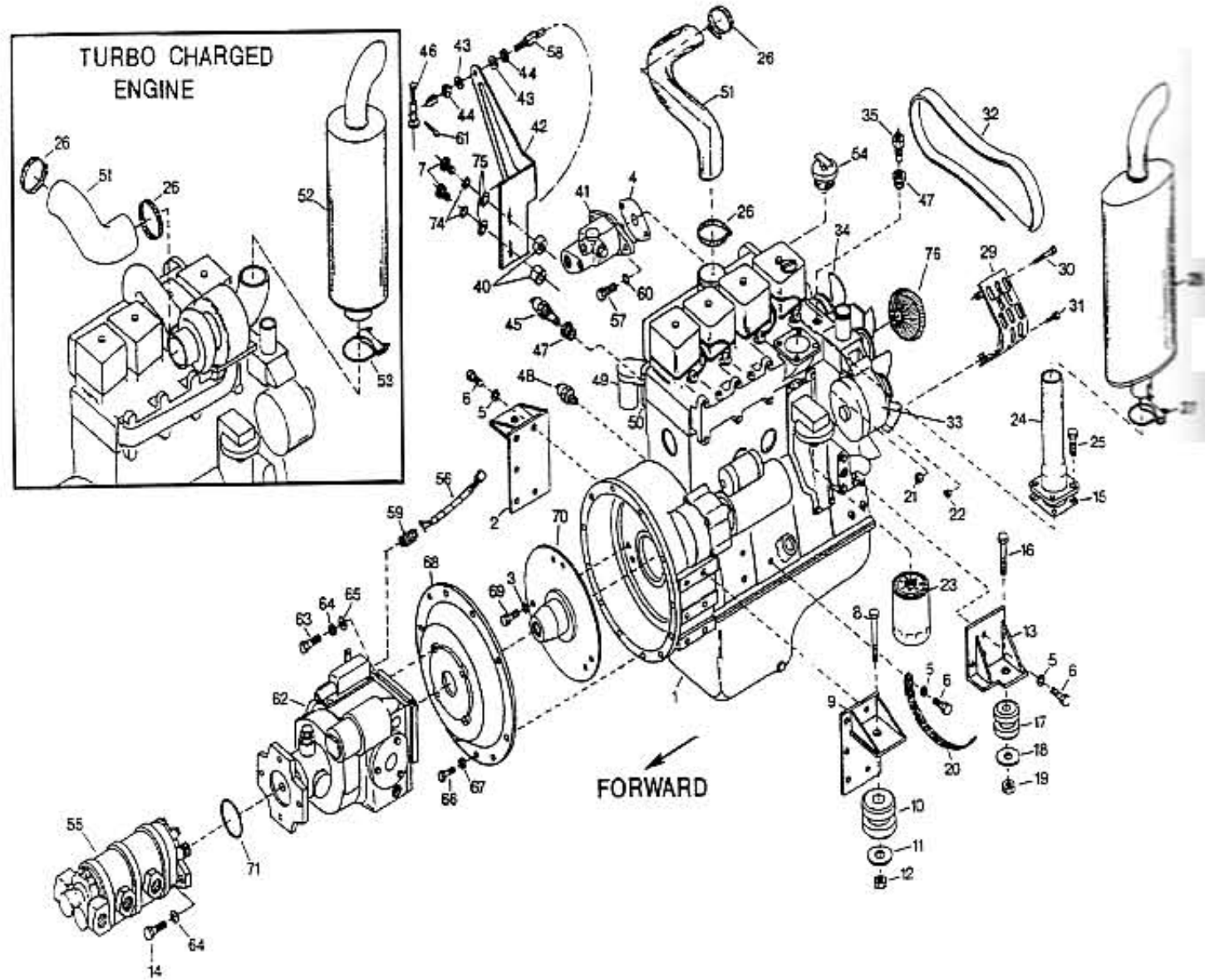
INDEX

180 ELECTRICAL SCHEMATIC.....	1
ENGINE COMPONENTS ASSEMBLY.....	2
RADIATOR OIL COOLER ASSEMBLY.....	4
INSTRUMENT PANELS.....	6
COVERS AND GUARDS.....	8
COVERS AND GUARDS (cont.).....	10
AIR INTAKE SCREENS ASSEMBLY.....	12
FRAME LINKAGES.....	14
HYDRAULIC SYSTEM - TRACTION DRIVE CIRCUIT.....	16
HYDRAULIC SYSTEM - PTO / LIFT CIRCUIT.....	18
HYDRAULIC SYSTEM - STEERING.....	20
VALVE BANK ASSEMBLY.....	22
REAR STEERING AXLE ASSEMBLY.....	24
4WD STEERING / HYDRAULICS ASSEMBLY.....	26
BRAKES / DRIVE TRAIN ASSEMBLY.....	28
DIFFERENTIAL ASSEMBLY.....	30
WING ARM ASSEMBLY.....	32
WING DECK ASSEMBLY.....	34
SEAT ASSEMBLY.....	38
AIR SEAT FRAME & LINKAGE.....	40
AIR SEAT SUSPENSION & COMPRESSOR.....	42
TRANSMISSION ASSEMBLY.....	44
TRANSMISSION PUMP CONTROL ASSEMBLY.....	46
DRIVE MOTOR ASSEMBLY.....	48
VALVE BLOCK SUBASSEMBLY.....	50
STEERING CYLINDER ASSEMBLY.....	52
STEERING VALVE ASSEMBLY.....	54
LIFT CYLINDER.....	56
DECK MOTOR.....	58
TRIPLEX PUMP.....	60

180 ELECTRICAL SCHEMATIC



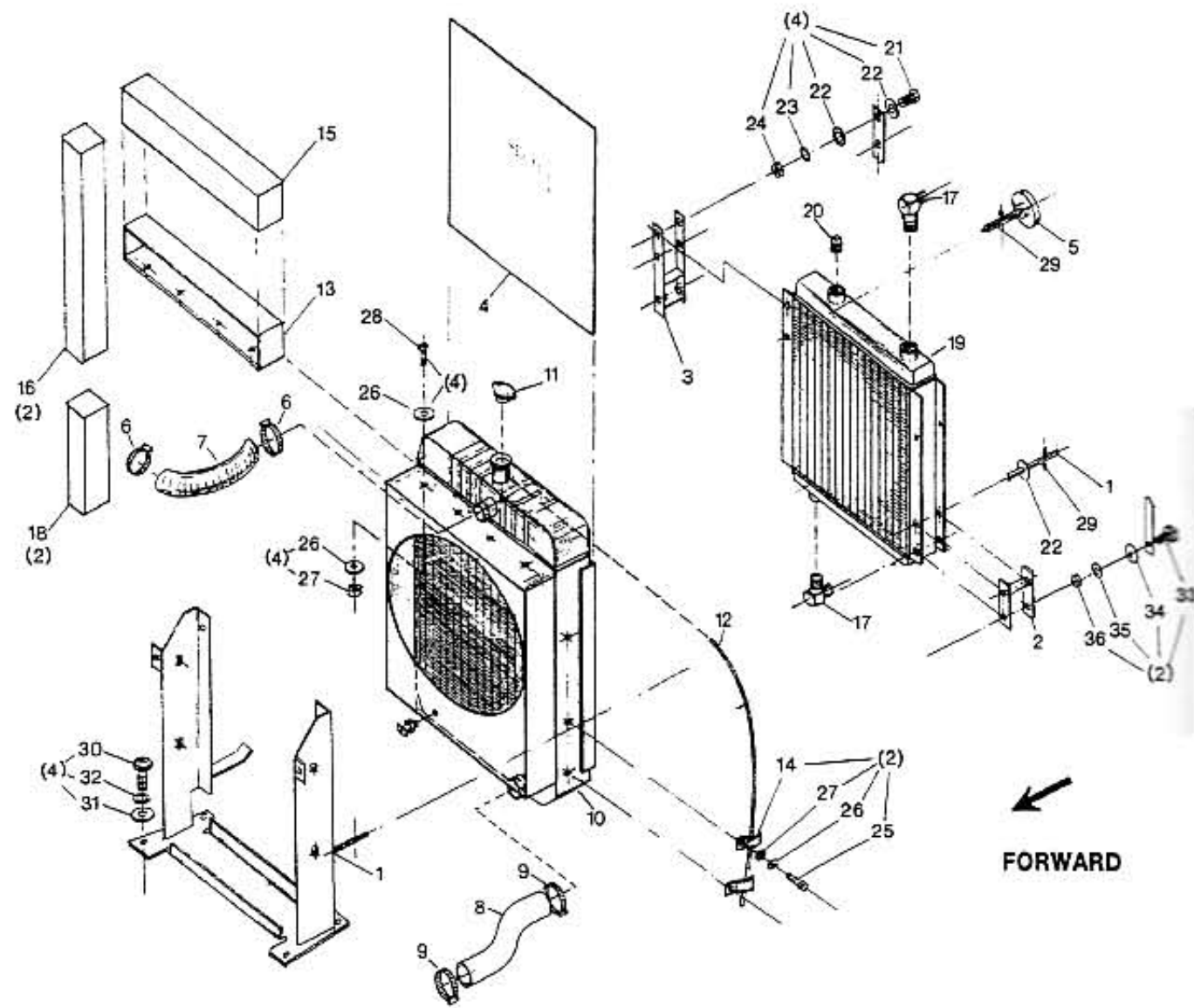
ENGINE COMPONENTS ASSEMBLY



Item	Part#	Qty.	Description
1	06-350	1	Engine - Cummins
--		1	Engine - Cummins Turbo
2	06-380	1	Motor Mount - R. Front
3	1202	8	Lockwasher 3/8"
4	13-684	1	Gasket - Power Steering Pump
5	2055	18	Lockwasher - 12 mm
6	1947	18	Bolt - 12 mm - 1.75 x 25 mm
7	1859	2	Bolt - 8 mm - 1.25 x 30 mm
8	2049	2	Bolt - 7/8" - 9 x 4-1/4" Gr. 5
9	06-337	1	Motor Mount - L. - Front
10	06-333	2	Rubber Motor Mount - Front
11	06-335	2	Snubbing Washer - Front
12	2050	2	Locknut - 7/8" - 9
13	06-340	1	Motor Mount - L. - Rear
--	06-339	1	Motor Mount - R. - Rear (Not Shown)
14	1053	2	Bolt 1/2" - 13 x 1-3/4" Gr. 8
15	06-368	1	Gasket - Muffler
16	2085	2	Bolt - 5/8" - 11 x 4" Gr. 5
17	06-334	2	Rubber Motor Mt. - Rear
18	06-336	2	Snubbing Washer
19	1113	2	Locknut - 5/8" - 11
20	02-275	1	Ground Strap - Engine
21	2038	1	Hexnut - 10mm - 1.5
22	1988	1	Hexnut - 8 mm - 1.25
23	06-352	1	Oil Filter
24	06-549	1	Exhaust Pipe Ass'y
25	1852	4	Bolt 10 mm - 1.25 x 25 mm 8.8
26	2071	2	Hose Clamp - 3-1/4"
27	04-041	1	Muffler Clamp - 2-1/8"
28	04-104A	1	Muffler
29	06-537	1	Guard Ass'y - Alt.
30	2048	1	Bolt - 10mm - 1.5 x 100mm
31	2053	1	Bolt - 8mm - 1.25 x 35 mm
32	06-694	1	Belt - Alternator
33	06-365	1	Alternator
34	06-807	1	Fan
35	02-048	1	Temp. Sender - Water
36	2071	1	Hose Clamp - 3-1/4"
37	06-656	1	Hose Ass'y
38			
39			
40	09-100	2	Spacer
41	13-366	1	Power Steering Pump Support Brkt.
42	06-696	1	Support Brkt.
43	1222	2	Flatwasher - 3/8"
44	1849	2	Jam Nut - 3/8" - 24
45	02-442	1	Temp. Switch - Water
46	06-444	1	Cable Stop

Item	Part#	Qty.	Description
47	03-701	2	Fitting - Reducer 3/4" x 3/8"
48	02-469	1	Switch - Oil Pressure
49	06-351	1	Fuel Filter
50	06-353	1	Filter - Water Separator
51	06-697	1	Hose (Standard Engine)
--	06-698	1	Hose (Turbo Engine)
52	06-461	1	Muffler
53	2131	1	Muffler Clamp - 3"
54	06-506	1	Cap - Oil Fill
55	13-858	1	Triplex Pump
56	02-319	1	Jumper Wire Harness
57	2036	2	Bolt 10mm x 1.5mm Gr. 8
58	06-667	1	Throttle Cable Ass'y
59	02-318	1	Neutral Safety Switch
60	1219	2	Flatwasher - 7/16"
61	2075	1	Cotter Pin 3/32" x 1/2"
62	13-874	1	Transmission Pump
63	1053	4	Bolt - 1/2"-13 x 1-3/4" Gr.8
64	1203	6	Lockwasher - 1/2"
65	1231	4	Flatwasher - 1/2" SAE
66	2037	12	Bolt - 10mm - 1.5 x 40mm
67	1996	12	Lockwasher - 10mm
68	04-101	1	Cover - Drive Plate
69	1030	8	Bolt 3/8" - 16 x 3/4"
70	04-100	1	Drive Plate
71	13-979	1	O-Ring
72			
73	1200	2	Lockwasher 1/4"
74	1201	2	Lockwasher 5/16"
75	2044	2	Flatwasher - SAE - 5/16"
76	06-804	1	Viscous Drive
--	2336	4	Stud
--	2134	4	8mm - 1.25 Locknut

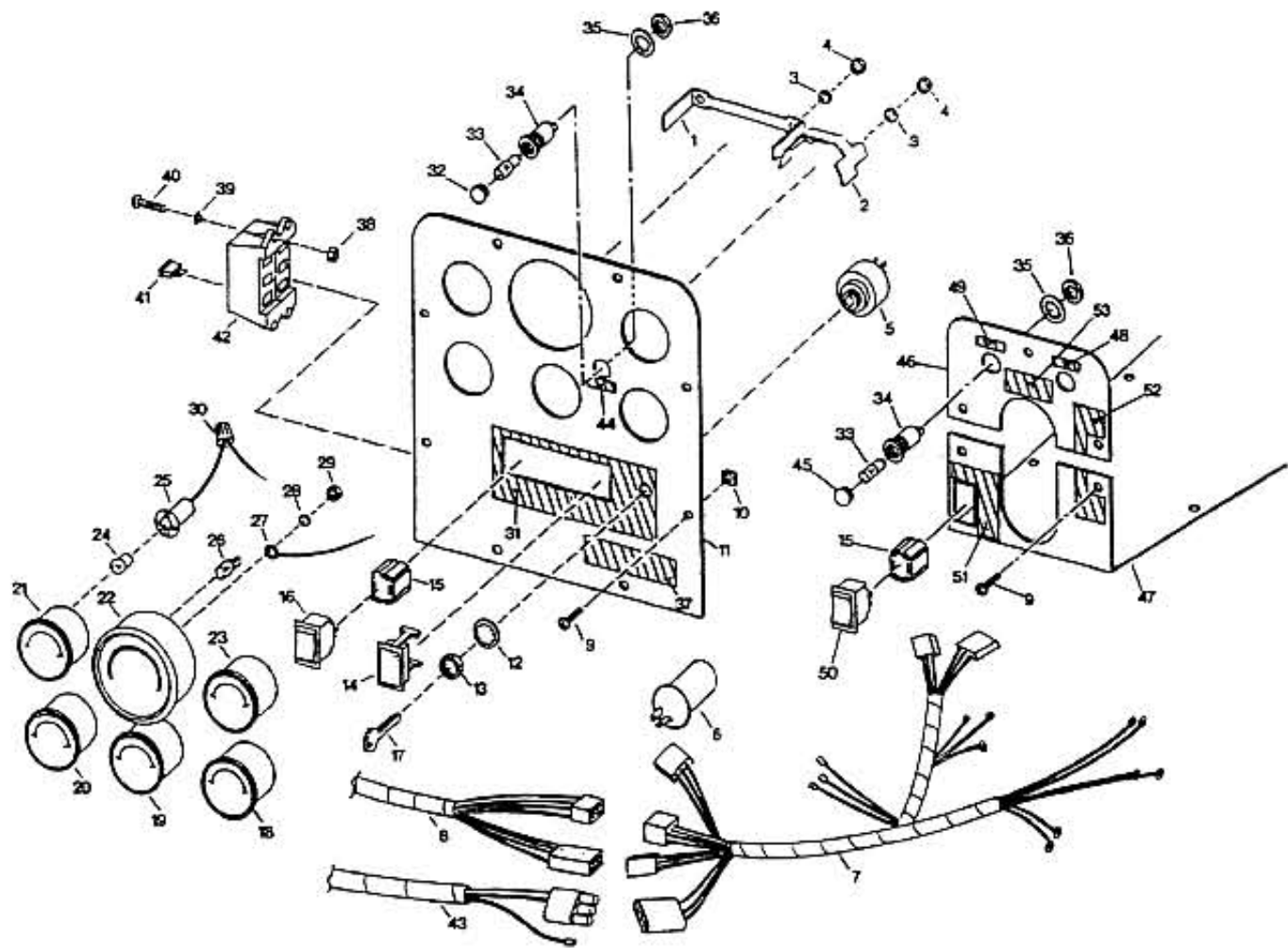
RADIATOR / OIL COOLER ASSEMBLY



Item	Part#	Qty.	Description
1	06-674	1	Rad & Oil Cooler Sup. Ass'y
2	06-673	1	Support Ass'y Oil Cooler
3	06-676	1	Sup. Oil Cool Clamp
4	06-672	1	Screen Ass'y
5	06-677	1	Knob Ass'y
6	04038	2	Hose Clamp (Upper)
7	06-692	1	Radiator Hose - Upper
8	06-345	1	Radiator Hose - Lower
9	04038	2	Hose Clamp (Lower)
10	06-678	1	Radiator
11	06-590	1	Radiator Cap (14 psi Req'd.)
12	03-705	1	Overflow Hose (Specify Length)
13	06-808	1	Baffle - Radiator
14	02-452	2	1/2" Dia. Loop
15	06-689	1	Foam Strip Rad. Top
16	06-688	2	Foam Strip Rad. Side
17	03-358	2	Fitting 90 degrees
18	—	2	Foam Strip Rad. Side Bottom Stuffing (Use excess material from item 16)
19	03-003	1	Oil Cooler
20	—	1	1 - 1/4" Pipe Plug
21	1957	4	3/8 - 16 x 1" Bolt HHCS
22	1222	8	3/8" Flat Washer
23	1202	4	3/8" Lock Washer
24	1103	4	3/8 - 16 Nut
25	1000	2	1/4 - 20 x 3/4" Bolt HHCS
26	1220	2	1/4" Flat Washer
27	1110	2	1/4 - 20 Locknut
28	1000	4	1/4 - 20 x 3/4" Bolt HHCS
29	2332	2	1/8" x 1" Roll Pin
30	1957	4	3/8 - 16 x 1" Bolt HHCS
31	1222	4	3/8" Flat Washer
32	1202	4	3/8" Lock Washer
33	1050	2	1/2 - 13 x 1" Bolt HHCS
34	1231	2	1/2" Flat Washer
35	1203	2	1/2" Lock Washer
36	1961	2	1/2-13 Nut

Item	Part#	Qty.	Description
------	-------	------	-------------

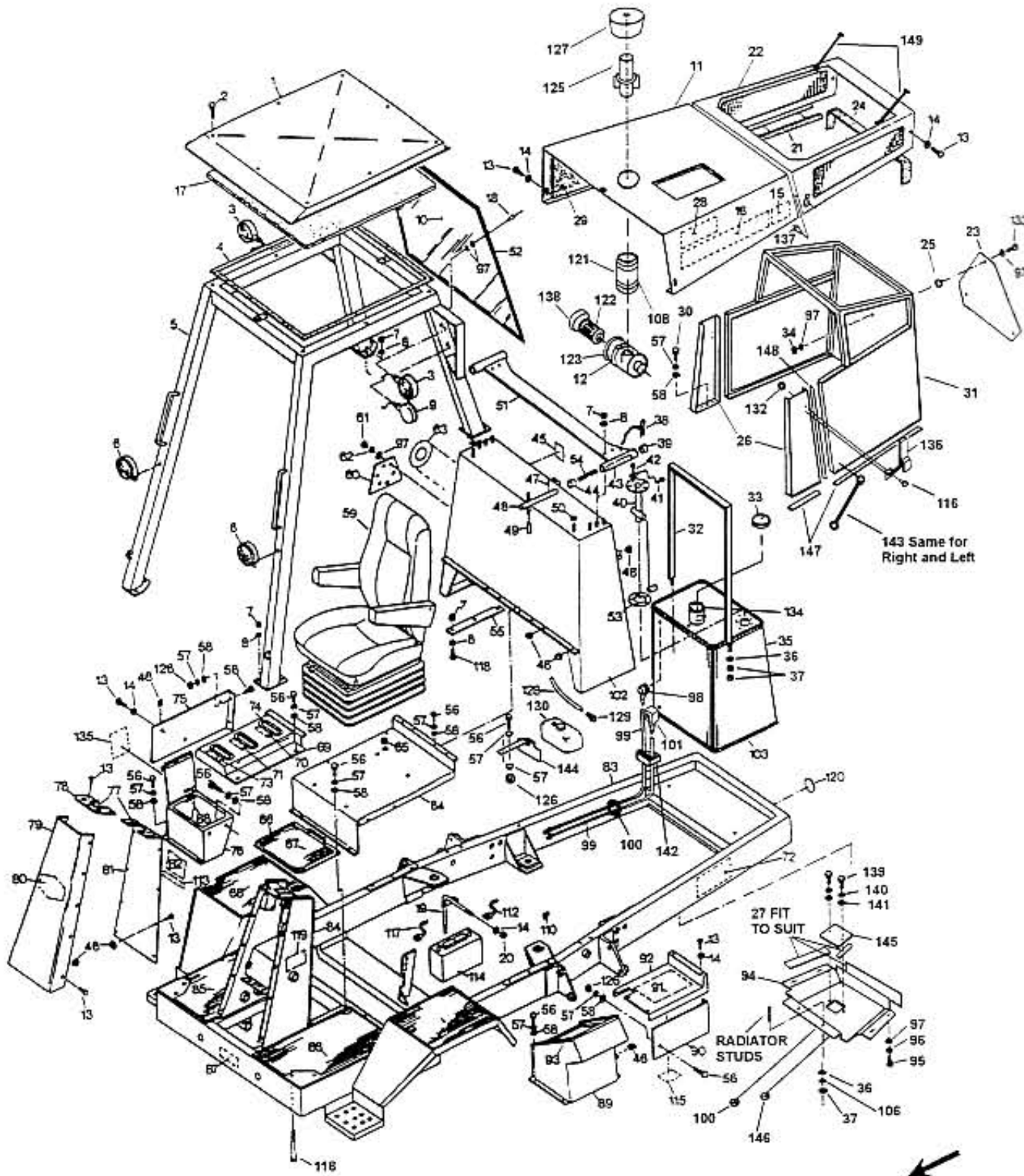
INSTRUMENT PANELS



Item	Part#	Qty.	Description
1	02-014	1	Mounting Bracket
2	02-055	5	Gauge Mount Bracket
3	1751	12	Lockwasher #10
4	1752	12	Hex Nut 10 - 32
5	02-074A	1	Ignition Switch
6	02-045	1	Flasher Relay
7	02-348	1	Inst. Panel Harness
8	02-346	1	Chassis Harness
9	1951	21	Rd Phillips Screw 1/4" - 20 x 3/4"
10	1732	8	"U" Nut 1/4" - 20
11	06-420	1	Inst. Panel Ass'y
12	1764	1	Internal Star Washer 9/16"
13	1765	1	Hex Nut 9/16" - 18
14	08-262	3	Switch Hole Plug
15	02-316	6	Switch Connector
16	02-133	5	Rocker Switch - Maintained
17	5142	1	Ignition Key
18	02-052	1	Water Temp. Gauge
19	02-300	1	Voltmeter
20	02-051	1	Oil Temp. Gauge
21	02-054	1	Fuel Gauge
22	02-280	1	Tachometer / Hourmeter
23	02-344	1	Oil Pressure Gauge (Mechanical)
—	02-345	1	Oil Line Kit (for 02-344)
24	02-274	5	Bulb
25	02-274	5	Light Socket
26	02-315	1	Bulb
27	02-317	1	Jumper Wire
28	1783	1	External Starwasher #6
29	1786	1	Hex Nut 6 - 32
30	02-188	1	Wire Nut
31	00-608	1	Decal - Dash Switches
32	02-309	1	Lens - Amber
33	02-025	3	Bulb
34	02-024	3	Socket - Light
35	1877	3	Starwasher - 11/16"
36	1878	3	Hex Nut - 11/16" Special
37	00-189	1	Decal - "Warning 4 - Wheel Drive"
38	1775	4	ESNA Locknut 10 - 32
39	1828	2	POP Rivet Washer 3/16"
40	1781	4	Phillips Screw 10 - 32 x 3/4"
41	02-305	5	Fuse - ATC 5 Amp
—	02-306	2	Fuse - ATC 10 Amp
—	02-307	1	Fuse - ATC 20 Amp (Air Cond. Only)
42	02-314	2	Fuse Block
43	02-302	1	Cowling Harness
44	00-626	1	Decal - "Trans Filter"
45	02-026	1	Lens - Red
—	02-309	1	Lens - Amber
46	06-430	1	Panel - Upper Column

Item	Part#	Qty.	Description
47	06-431	1	Panel - Upper Column
48	00-610	1	Decal - "Cruise Control"
49	00-609	1	Decal - "Engine / Hydro Warning"
50	06-375	1	Switch - Cruise Control
51	00-615	1	Decal - "Cruise On / Off"
52	00-612	1	Decal - "Throttle"
53	00-613	1	Decal - "Disengage Cruise"

COVERS AND GUARDS

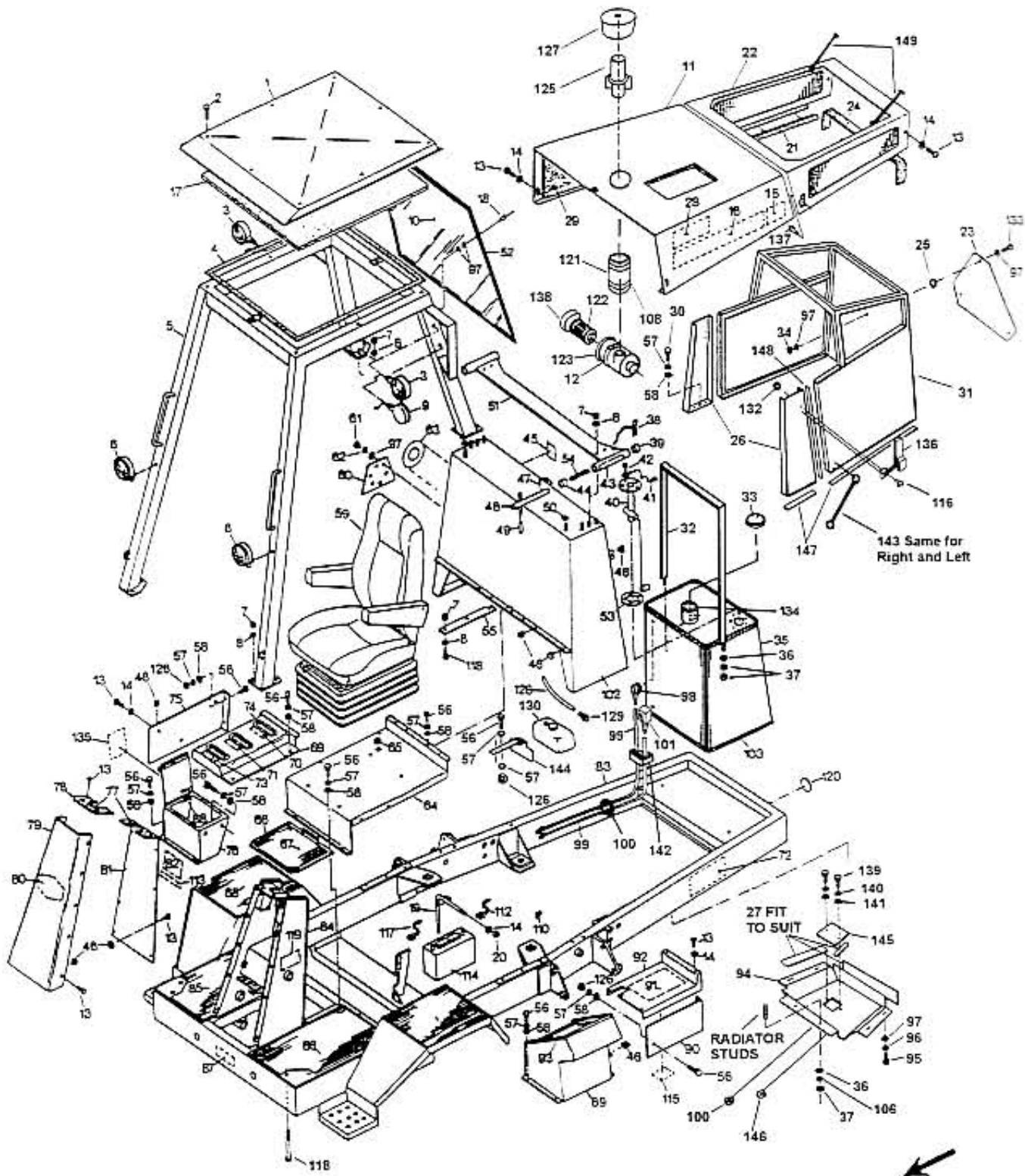


FORWARD

Item	Part#	Qty.	Description
1	06-419	1	Roof
2	1945	8	Bolt 1/4" - 20 x 3/4"
3	02-006	2	Hazard Light Ass'y
4	00-083	1	Weather-strip 1/8" x 1" (110")
5	06-384	1	ROPS
6	02-004	2	Headlight Ass'y
7	1747	18	Locknut 1/2" - 13
8	1223	14	S.A.E. 1/2" Flatwasher
9	02-007	1	Tail Light Ass'y
10	06-200	1	Rear Plexiglass
11	06-701	1	Hood - Standard Engine w/o Air
—	06-700	1	Hood - Standard Engine w/Air
—	06-681	1	Hood - Turbo Engine w/o Air
—	06-699	1	Hood - Turbo Engine w/Air
12	00-037	1	Decal "Do Not Use Ether"
13	1951	38	Round Phillips Screw 1/4" - 20 x 3/4"
14	1220	24	Flatwasher - 1/4"
15	00-013	2	Decal "180"
16	00-012	2	Decal "Hydro Power"
17	06-254	1	Roof Insulation - ROPS
18	1718	6	Pop Rivet 3/16" x 5/8"
19	06-569	1	Bracket - Battery Hold Down
20	1110	2	Locknut 1/4" - 20
21	05-104	1	Weather-strip (51")
22	06-684	1	Hood - Rear
23	04-072	1	Emblem - SMV
24	07-987	1	Weather-strip (184")
25	09128	3	Spacer
26	06-691	1	Support Rear Hood - Left
—	06-690	1	Support Rear Hood - Right
27	00-083	1	Weather-strip 1/8" x 1" (25")
28	00-178	2	Decal - "Turbo" (Turbo models only)
29	06-114A	1	Insulation - Hood
30	1020	6	Bolt 5/16" - 18 x 3/4" Gr 5
31	06-639	1	Frame Ass'y
32	06-488	1	Strap - Fuel Tank
33	06-072	1	Fuel Cap
34	1110	3	Locknut 1/4"
35	06-671	1	Fuel Tank
36	1222	4	Flatwasher 3/8"
37	1103	6	Hexnut 3/8" - 16
38	04-140	2	Safety Pin - Wing Lock
39	4121	2	Bushing
40	06-074	1	Sender - Fuel Level
41	02-321	1	Ground Strap
42	1755	5	Bolt 8-32 x 1/2"
43	00-010	1	Decal "Lock" (L.H.)
—	00-011	1	Decal "Lock" (R.H.)
44	04-130	2	Bushing
45	00-021	1	Decal "Tank Valve"
46	1732	34	"U" Nut 1/4" - 20

Item	Part#	Qty.	Description
47	1149	2	Roll Pin 1/4" x 1-5/8"
48	06-083	2	Lock Pin - Wing
49	06-062A	4	Rubber Grip
50	06-043	4	Seal Washer - Reservoir
51	06-519	1	Wing Lock Bar
52	06-133	1	Trim (114")
53	06-075	1	Gasket
54	04-069	2	Spring - Wing Lock
55	06-481	2	Reinforcement - Mounting
56	1020	33	Bolt 5/16" - 18 x 3/4" Gr. 5
57	1201	35	Lockwasher 5/16"
58	2044	31	Flatwasher 5/16"
59	04-286	1	Seat - Complete Air Seat
—	05-431	1	Seat - Complete Milsco
60	06-066	1	Cover - Cleanout
61	1101	6	Hexnut 1/4" - 20
62	1200	6	Lockwasher 1/4"
63	00-007	1	Decal "Hydraulic Fluid"
64	06-487	1	Support - Seat
65	04-240	1	Grommet
66	06-425	1	Plate - Floor Middle
67	06-494	1	Matting
68	06-491	2	Matting
69	06-435	1	Cover - Valve Control
70	00-032	1	Decal "Right Unit"
71	00-031	1	Decal "Left Unit"
72	00-179	2	Decal "4 x 4" (4wd Models Only)
73	00-030	1	Decal "Front Unit"
74	06-433	1	Edge Guard (18")
75	06-489	1	Cover - Side
76	06-389	1	Glove Box Ass'y
77	06-433	1	Edge Guard (12")
78	06-430	1	Panel - Upper Steering Column
79	06-361	1	Cowling - Inst. Panel
—	06-360	1	Cowling - Inst. Panel w/Cab
80	7038	1	Decal "Logo"
81	06-431	1	Panel - Lower Column
82	00-003B	1	Decal "Pedal"
83	06-616	1	Frame Ass'y
84	06-438	1	Trim (72")
85	06-492	1	Matting - Right Floor
86	06-493	1	Matting - Left Floor
87	00-001	1	Decal "Caution Spring"
88	06-564	1	Spring
89	06-395	1	Instrument - Cowling Ass'y
90	06-422	1	Cover - Left Side
91	00-002	1	Decal "Instructions"
92	06-383	1	Cover - Battery Box
93	08-421	1	Trim (38")
94	06-425	1	Cover - Radiator Cleanout
95	1000	4	Bolt 1/4" - 20 x 3/4"

COVERS AND GUARDS (cont.)

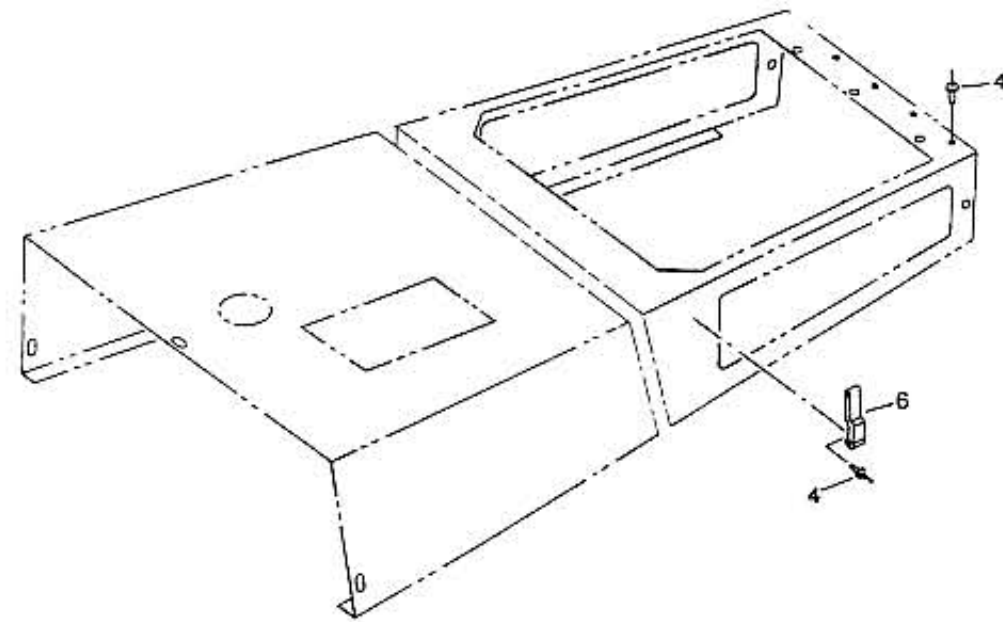
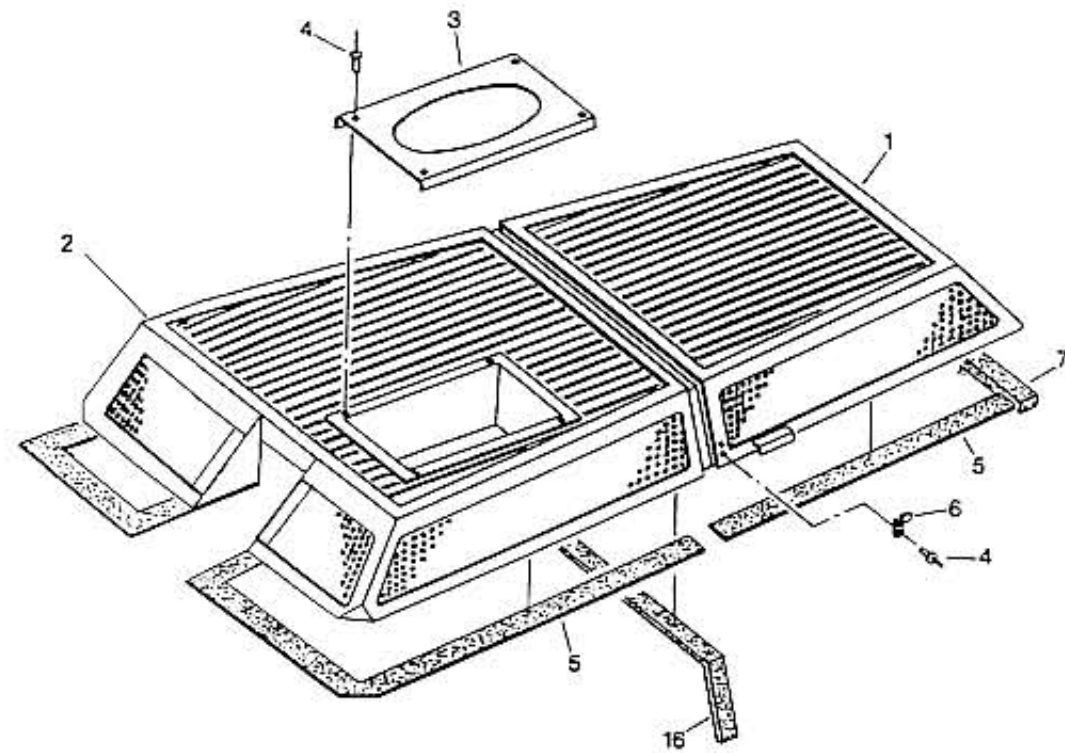


FORWARD

Item	Part#	Qty.	Description
96	1200	4	Lockwasher 1/4"
97	1056	16	Flatwasher 1/4" SAE
98	13-274	3	Fitting 90°Barred
99	13-090	1	5/16" Fuel Line Bulk Hose
100	06-687	2	Rubber Grommet
101	23-436	1	Fitting
102	06-645	1	Oil Reservoir
103	04-059	1	Trim (114)
104	23-435	1	Fitting
105			
106			
107			
108			
109			
110	04-082	1	Hose Clamp
111			
112	02-119	1	Battery Cable - Positive (31") w/o A.C.
—	02-353	1	Battery Cable - Positive (31") w/A.C.
113	7029A	1	Decal "Caution / Transmission"
114	02-059	1	Battery
115	00-187	1	Decal "Fuse Block"
116	1781	6	P.H. Machine Screw #10-32 x 3/4"
117	02-279	1	Battery Cable - Negative (24")
118	1840	8	Bolt 1/2" - 13 x 7-1/2"
119	00-188	1	Decal "Lock Release"
120	04-081	2	Reflector
121	05-670	1	Hose - Air Cleaner
122	05-668	1	Filter - Air Cleaner
123	05-655	1	Air Cleaner Ass'y
124			
125	06-612	1	Bracket Ass'y
126	1102	20	Hexnut 5/16" - 18
127	06-398	1	Pre - Cleaner
128	13-090	1	Hose - 5/16" (Fuel Supply Line 76") Hose - 5/16" (Fuel Return Line 47")
129	03-229A	1	Fitting
130	04-264	1	Overflow Tank - 2 Quart
131			
132	1775	6	Locknut #10-32
133	1016	3	Bolt 1/4" - 20 x 1/2"
134	00-044Y	2	Decal "Diesel Fuel"
135	00-806	1	Decal "15° Incline"
136	06-685	2	Hood Latch
137	1893	4	3/16" x 1/4" Aluminum Pop Rivets
138	06-806	1	Cover Ass'y - Air Cleaner
139	1016	2	Bolts 1/4" - 20 x 1/2"
140	1200	2	1/4" Lockwasher
141	1220	2	1/4" Flatwasher
142	04-082	6	Hose Clamp
143	06-586	2	Cable
144	06-658	1	Bracket - Hydraulic Overflow
145	06-680	1	Cover
146	06-680	2	Rubber Grommet
147	00-132	1	Weatherstrip (Attach to Frame 78" to treat both Right & Left sides)

Item	Part#	Qty.	Description
148	07-798	1	Weatherstrip (Attach to Hood 55" to treat both Right & Left sides)
149	08-111	2	Cable Ass'y (Kit)
—	1601	4	Cotter Pin 1/16" x 1/2"
—	1056	4	Flat Washer 1/4"

AIR INTAKE SCREENS ASSEMBLY

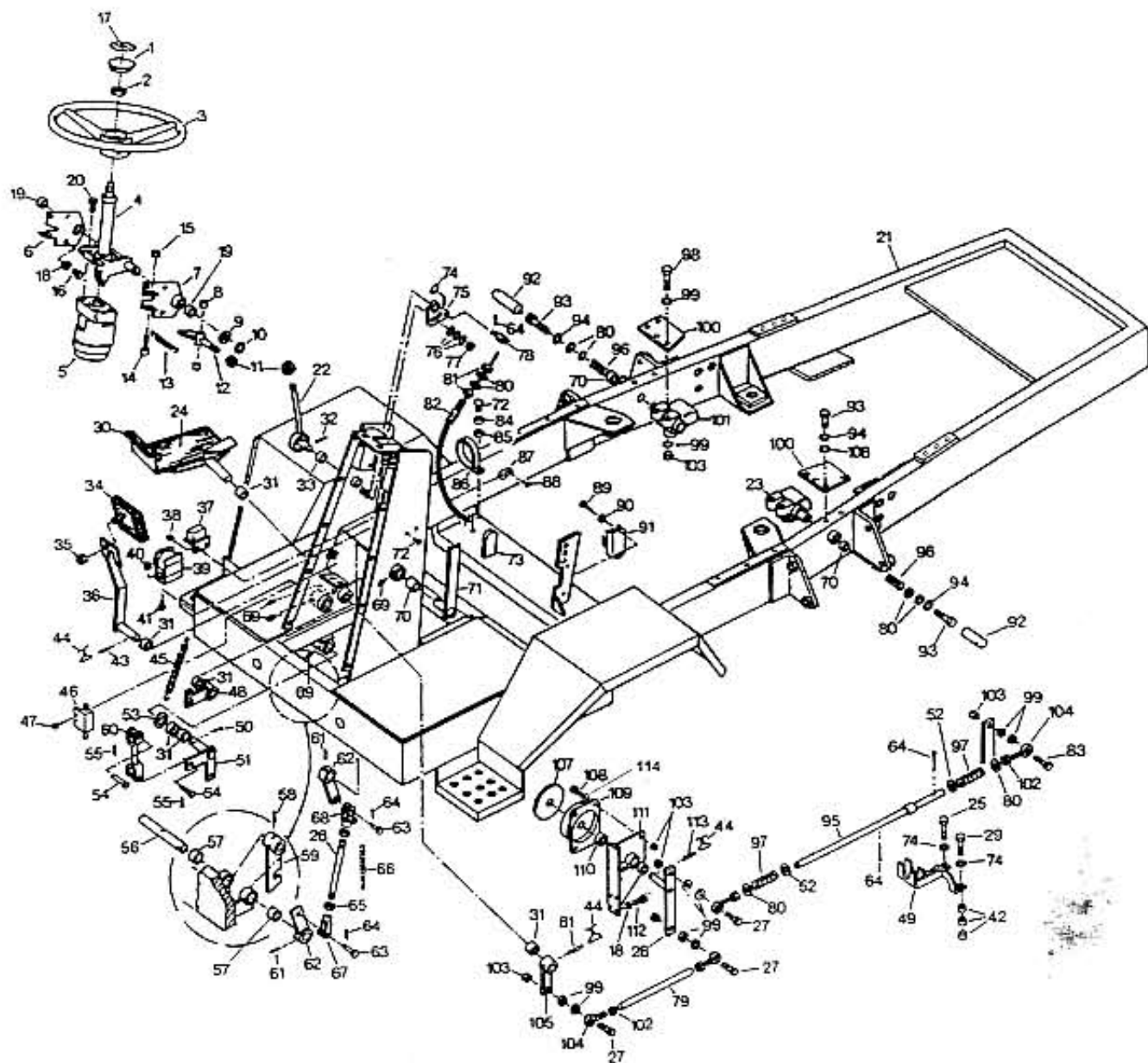


←
FORWARD

Item	Part#	Qty.	Description
1	06-545	1	Rear Screen Ass'y
2	06-702	1	Front Ass'y wo/ac (St'd Engine)
--	06-703	1	Front Ass'y w/ac (St'd Engine)
--	06-665	1	Front Ass'y wo/ac (Turbo Engine)
--	06-705	1	Front Ass'y w/ac (Turbo Engine)
3	06-558	1	Filler - Muffler (Standard Engine)
--	06-546A	1	Filler - Muffler (Turbo Engine)
4	1893	45	Pop Rivet 3/16" x 1/4" (Aluminum)
5	00-083	1	Weather-stripping 1/8" x 1"
--			(Standard - 181.75")
--			(Turbo - 150.50")
6	08-406	2	Latch - Hood to Frame
7	00-116	1	Weather-stripping 1/2" x 3/4" (16")
8	1003	3	Bolt 1/4" - 20 x 1"
9	1220	6	Flatwasher 1/4"
10	06-551	1	Bracket - Screen Pivot Stop
11	08-111	2	Cable - Hood Restraint
12	1601	2	Cotter Pin
13	1887	2	Flastwasher - #10
14	1110	2	Locknut 1/4" - 20
15	09-128	6	Spacer
16	07-987	1	Weatherstripping (19 - 25")

Item	Part#	Qty.	Description
------	-------	------	-------------

FRAME LINKAGES

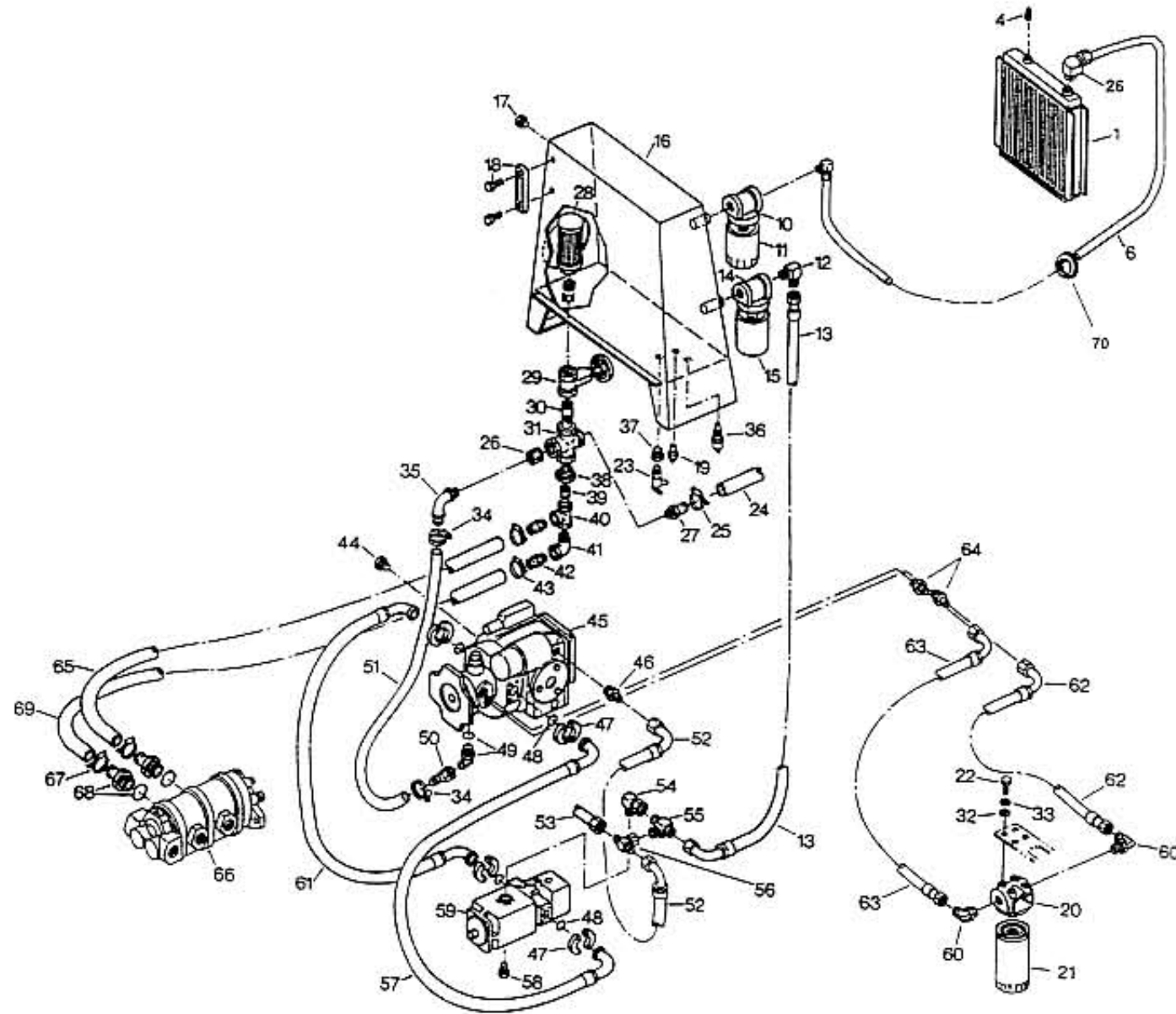


FORWARD

Item	Part#	Qty.	Description
1	04-028	1	Cap - Steering Wheel
2	03-036	1	Nut - Steering Wheel
3	04-027	1	Steering Wheel
4	06-418	1	Column Ass'y
5	03-378	1	Steering Valve
6	06-411	1	Steering Ass'y - Right
7	06-410	1	Steering Ass'y - Left
8	09-099	2	Bushing
9	1234	1	Bushing
10	09-115	1	Retaining Ring - 3/4"
11	04-290	2	Knob - Black
12	06-416	1	Lock Ass'y - Tilt Steering
13	5013	1	Spring - 2-3/4"
14	2122	1	Shoulder Bolt 1/2" x 1-3/4"
15	1112	1	Locknut 3/8" - 18
16	1020	6	Bolt 5/16" - 18 x 3/4"
17	00-411	1	Decal - Steering Wheel Logo
18	1201	10	Lockwasher 5/16"
19	06-409	2	Bushing
20	1895	4	Bolt 3/8" - 16 x 3/4" 12 Pt Ct'r Bore
21	06-616	1	Frame Ass'y
22	06-413	1	Lever Ass'y - Throttle
23	03-623	1	Wing Valve - Left
24	06-495	1	Matting
25	1026	2	Bolt 5/16" - 18 x 2-1/4"
26	06-432	1	Rod - Front Lock Linkage
27	1003	3	Bolt 1/4" - 20 x 1"
28	06-388	1	Lever Ass'y - Trans. Control
29	1023	1	Bolt 5/16" - 18 x 1-1/2"
30	06-406	1	Pedal Ass'y
31	4121	6	Bushing
32	1950	1	Roll Pin 3/16" x 3/4"
33	04-331	1	Bushing
34	5276	1	Pad - Brake Pedal
35	1603	1	Locknut 3/8" - 24 ESNA
36	06-412	1	Pedal Ass'y - Brake
37	06-374	1	Relay - Cruise Control
38	1110	2	Locknut 1/4" - 20
39	02-295	1	Buzzer - Backup
40	1775	2	Locknut 10 - 32 ESNA
41	1781	2	Phillips Machine Screw 10 - 32 x 3/4"
42	09-128	3	Spacer
43	1149	1	Roll Pin 1/4" x 1-5/8"
44	1845	3	Safety Wire
45	4114	1	Extension Spring - 5"
46	09-058	1	Safety Switch
47	2058	2	Phillips Self Tapping 12 x 1/2"
48	06-407	1	Lever Ass'y - Brake
49	06-434	1	Brkt. Ass'y - Hydro Centering
50	1608	1	Cotter Pin 1/8" x 2"
51	06-408	1	Lever Ass'y - Brake
52	06-505	2	Washer - Special
53	1408	7	Flatwasher - 1" SAE
54	2081	2	Clevis Pin 1/2" x 1-1/8"
55	1605	2	Cotter Pin 1/8" x 1"
56	06-386	1	Pin - Front Deck Lock
57	06-439	2	Bushing

Item	Part#	Qty.	Description
58	1133	1	Roll Pin 1/4" x 2"
59	06-385	1	Latch Ass'y - Front Deck
60	06-417	1	Brake Link Ass'y
61	1149	3	Roll Pin 1/4" x 1-5/8"
62	06-442	2	Lever Ass'y - Front Deck Lock
63	1791	2	Clevis Pin 3/8" x 1"
64	1600	5	Cotter Pin 3/32" x 1"
65	1103	2	Hex Nut 3/8" - 16
66	5013	1	Spring - 2-3/4"
67	5164	1	Yoke End - Front Lock Linkage
68	06-479	1	Yoke End - Front Lock Linkage
69	09-091	4	Grease Fitting
70	04-130	3	Bushing
71	06-405	1	Lever Ass'y
72	1951	3	Phillips Screw 1/4" - 20 x 3/4"
73	05-121	1	Grip Handle
74	1221	4	Flatwasher 5/16"
75	06-414	1	Bellcrank Ass'y
76	2123	3	Washer 15/16" O.D. x 5/16" I.D.
77	1111	1	Locknut 5/16" - 18
78	06-444	1	Throttle Pin
79	06-486	1	Lower Control Rod
80	1222	8	Flatwasher - 3/8"
81	1849	2	Halfnut 3/8" - 24
82	06-667	1	Throttle Cable Ass'y
83	1004	1	Bolt 1/4" - 20 x 1-1/4"
84	1200	1	Lockwasher 1 1/4"
85	1220	1	Flatwasher 1 1/4"
86	04-176	1	Clamp - Hose Restraint
87	06-447	1	Cable Clip
88	1945	1	Cutting Screw 1/4" - 20 x 3/4"
89	1781	2	Phillips Machine Screw 10 - 32 x 3/4"
90	1409	2	Flatwasher 3/16"
91	02-212	1	Relay - Time Delay
92	06-151	2	Push Rod - Wing Valve
93	1957	6	Bolt 3/8" 1 16 x 1" Gr. 5
94	1202	6	Lockwasher - 3/8"
95	06-440	1	Control Rod - Hydro Stat
96	04-289	2	Spring - Wing Valve
97	06-445	2	Spring - Neutral Return
98	1007	4	Bolt 1/4" - 20 x 2"
99	1056	16	Flatwasher - 1/4" SAE
100	06-048A	2	Mount Plate - Wing Valve
101	03-624	1	Wing Valve - Right
102	1856	4	Hex Nut 1/4" - 28
103	1110	12	Locknut 1/4" - 20
104	06-394	4	Rod End - Trans. Control
105	06-443	1	Lever Ass'y
106	1769	4	Flatwasher 3/8" SAE
107	06-391	1	Plate Ass'y - Cruise Control
108	2278	4	Shoulder Bolt 5/16" x 5/8"
109	15-371	1	Coil - Cruise Control
110	09-098	2	Bushing
111	06-390	1	Brkt. Ass'y - Cruise Control
112	1071	4	Bolt 5/16" x 3/4"
113	1135	1	Roll Pin 3/16" x 1-1/4"
114	15-277	4	Spring

HYDRAULIC SYSTEM - TRACTION DRIVE CIRCUIT

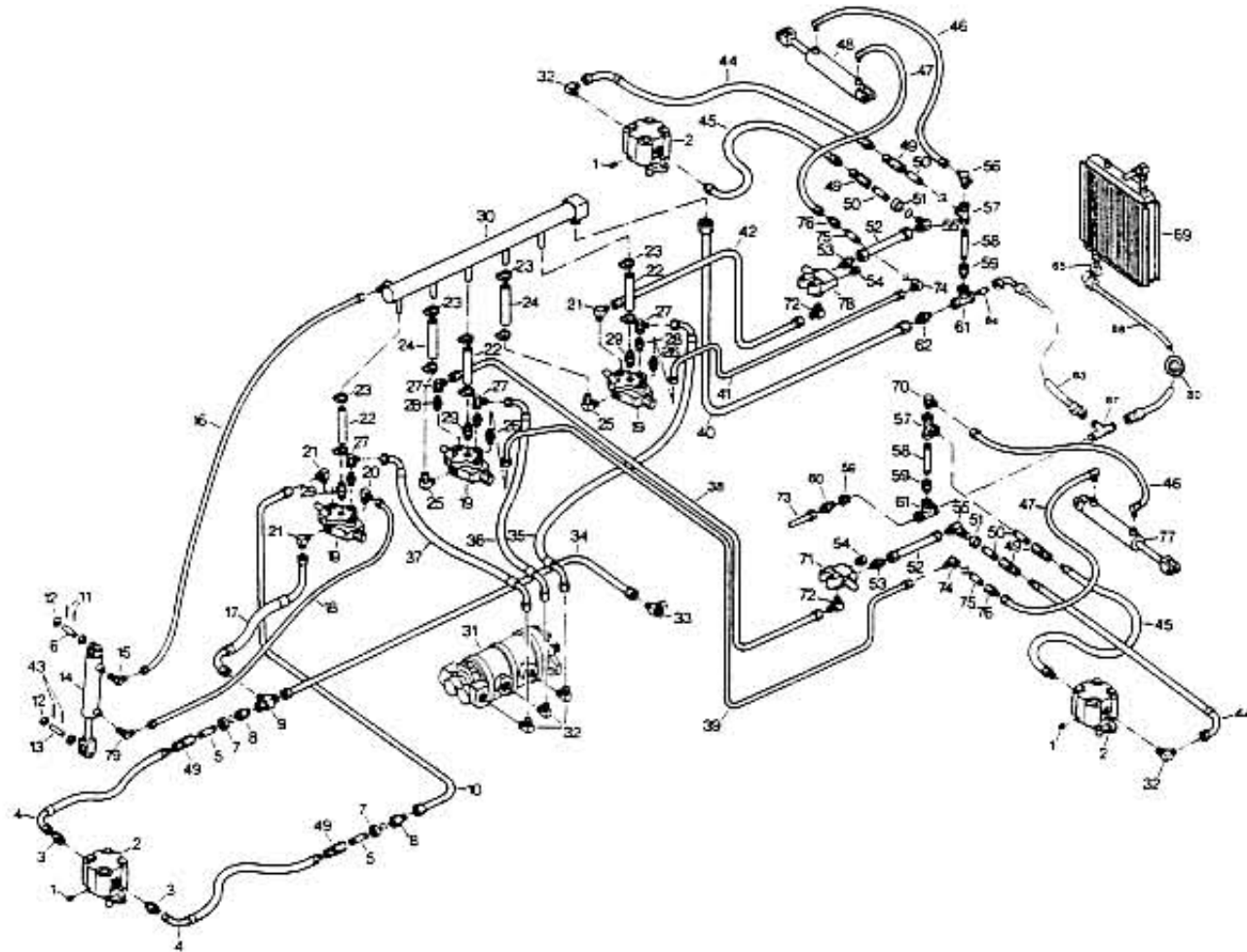


FORWARD

Item	Part#	Qty.	Description
1	03-003	1	Cooler - Oil
2			
3			
4	13-563	1	Pipe Cap - 1"
5			
6	23-468	1	Hose Ass'y
7			
8			
9			
10	03-163A	1	Filter - Return Line Ass'y
11	03-154A	1	Element - Filter (Concave)
—	03-164B	1	Element - Filter (Flat)
12	13-506	1	Elbow - 90°
13	13-531	2	Hose Ass'y
14	03-163A	1	Filter - Return Line Ass'y
15	03-164A	1	Element - Filter (Concave)
—	03-164B	1	Element - Filter (Flat)
16	06-421	1	Oil Reservoir
—	06-455	1	Oil Reservoir (Turbo)
17	03-364	1	Fitting Plug
18	03-156	1	Sight Glass
19	02-048	1	Sender - Temperature
20	15-135	1	Filter Housing
21	13-860	1	Filter
22	1030	4	Bolt 3/8" - 16 x 3/4"
23	13-250	1	Shut Off Valve
24	23-433	1	Inlet Hose - P/S Pump
25	05-120	1	Hose Clamp 1-1/2"
26	13-442	2	Reducer
27	13-433	1	Fitting - P/S Inlet
28	03-155	1	Strainer - Suction
29	03-157	1	Valve Reservoir Shutoff
30	13-416	1	2" Butt Nipple - Blk
31	03-481	1	Cross 2 x 2 x 2 x 2
32	1222	4	Flatwasher 3/8"
33	1202	4	Lockwasher 3/8"
34	13-935	1	Clamp - Hose
35	13-865	1	Fitting - 90°
36	02-343	1	Temp. Switch - Oil
37	03-701	1	Fitting - Reducer
38	03-109	1	Bushing - Reducer 2" x 1-1/2"
39	03-435	1	Nipple - 1-1/2" Close
40	03-115A	1	Fitting - Tee 1-1/2"
41	03-373	1	Fitting - 1-1/2" St. Elbow
42	03-621	2	Filter Tank Adapter
43	04-139A	2	Hose Clamp 2" - High Pressure
44	03-364	1	Plug
45	13-874	1	Transmission Pump
46	93-080	1	Fitting
47	13-030	4	Split Flange Clamp Kit
48	03-347	4	"O" Ring - Pressure Hose
49	13-878	1	Fitting
50	13-878	1	Fitting

Item	Part#	Qty.	Description
51	13-867	1	Trans. Suction Hose
52	13-863	1	Hose Ass'y - Case Drain
53	13-522	1	Tube Ass'y - Front Motor Return
54	13-512	1	Fitting
55	13-513	1	Tee Fitting
56	03-118	1	Fitting
57	13-026	1	Hose Ass'y
58	13-171	1	Plug
59	03-497	1	Transmission Motor
60	13-333	2	Fitting - 90°
61	13-026	1	Hose Ass'y
62	13-861	1	Hose Ass'y
63	13-862	1	Hose Ass'y
64	13-329	2	Fitting
65	03-649A	1	Hose - Triplex Pump
66	13-858	1	Triplex Pump
67	04-139A	2	Hose Clamp 2" - High Pressure
68	13-943	2	Fitting
69	03-651A	1	Hose - Triplex Pump
70	06-686	1	Rubber Grommet

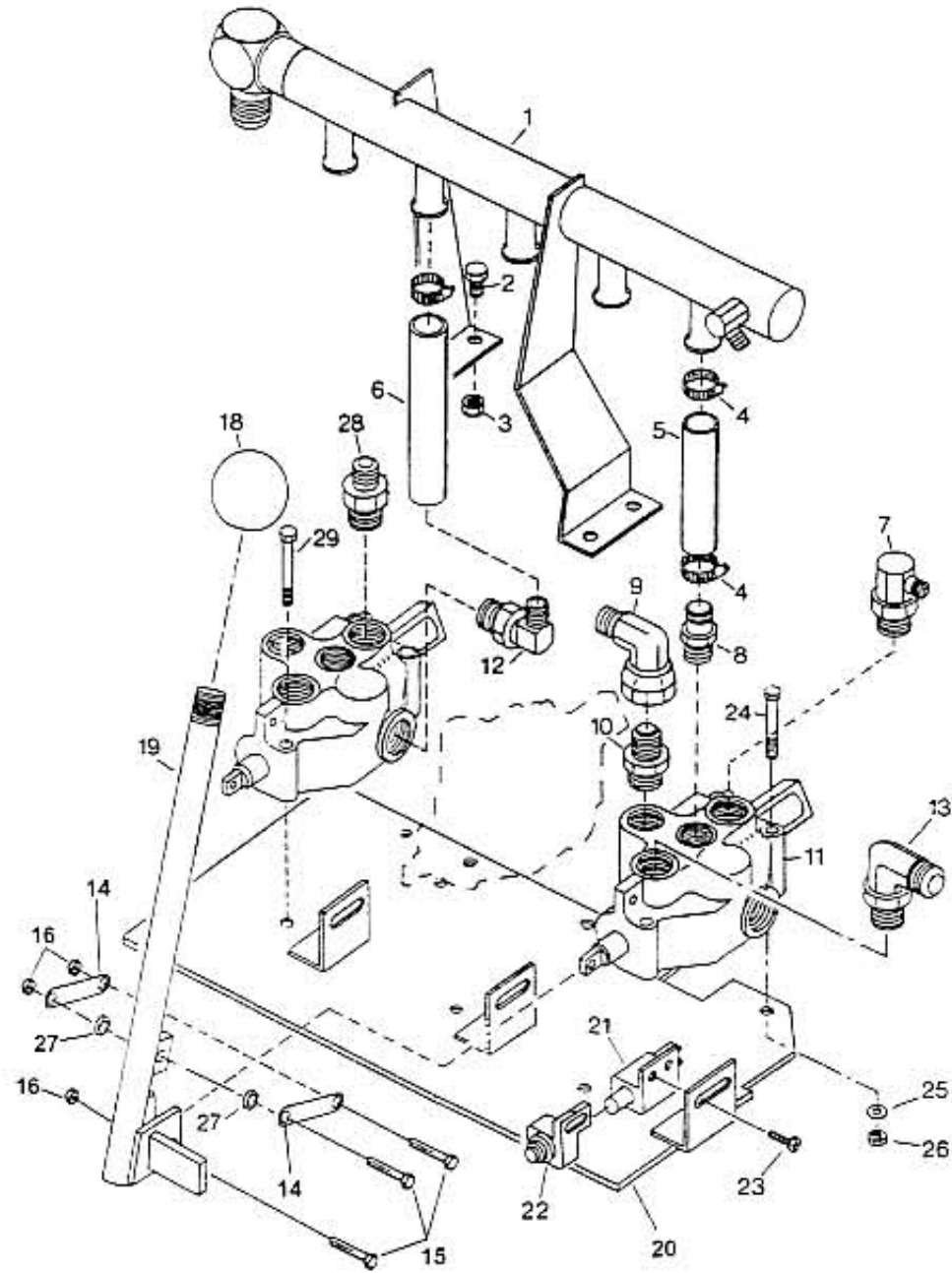
HYDRAULIC SYSTEM - PTO / LIFT CIRCUIT



Item	Part#	Qty.	Description
1	1841	3	1/4" Pipe Plug
2	13-607	3	Deck Motor
3	03-080	2	Fitting
4	13-348	2	Hose Ass'y
5	03-725	2	Fitting
6	06-522	1	Pin - Lift
7	04-240	4	Grommet
8	13-511	2	Fitting - Straight
9	03-119	1	Fitting
10	13-521	1	Tube Ass'y
11	1608	2	Cotter Pin - 1/8" x 2"
12	1408	4	Flatwasher - 1" SAE
13	05-152	1	Pin - Rear
14	03-007A	1	Cylinder - Lift
15	03-780	1	Fitting
16	13-532	1	Hose Ass'y
17	13-547	1	Hose Ass'y
18	13-582	1	Hose Ass'y
19	03-606	3	Valve Ass'y
—	03-714		Valve Seal Kit
20	03-365	1	Fitting - 90°
21	03-366	3	Fitting - 90°
22	13-400	3	Hose - Manifold
23	6023	10	Hose Clamp - 1"
24	13-262	2	Hose - Manifold
25	13-238	2	Fitting - 90°
26	03-361	2	Fitting - Straight
27	03-713	4	Fitting - 90°
28	03-362	4	Fitting - Straight
29	13-266	3	Valve
30	13-529	1	Manifold Ass'y
31	13-858	1	Triplex Pump
32	03-367	5	Fitting - 90°
33	03-118	1	Fitting
34	13-522	1	Tube Ass'y
35	13-877	1	Hose Ass'y
36	13-876	1	Hose Ass'y
37	13-875	1	Hose Ass'y
38	13-523	1	Tube Ass'y
39	13-528	1	Tube Ass'y
40	03-628A	1	Tube Ass'y
41	13-414	1	Tube Ass'y
42	03-630	1	Tube Ass'y
43	1966	2	Roll Pin 3/16" x 2"
44	03-648	2	Hose Ass'y
45	13-609	2	Hose Ass'y
46	03-050	2	Hose Ass'y
47	03-049	2	Hose Ass'y
48	03-005A	1	Cylinder - Right Lift
49	13-347	6	Fitting - Straight
50	03-098	4	Nipple - 1/2" x 3"
51	06-367	2	Spacer
52	03-625	2	Tube Ass'y
53	03-362	2	Fitting - Straight

Item	Part#	Qty.	Description
54	03-363	2	Plug
55	03-357	2	Fitting - 90°
56	13-436	1	Fitting
57	03-113	2	Fitting - Tee
58	03-099A	2	Nipple - 1/2" x 4-1/2"
59	03-105	3	Bushing - reducer 1" x 1/2"
60	03-751	1	Fitting - Straight
61	03-114	2	Fitting - Tee 1"
62	03-088	1	Fitting - Straight
63	23-466	1	Hydraulic Hose
64	03-088	1	Fitting - Straight
65	03-353	1	Fitting - 90°
66			
67	23-469	1	Fitting - Tee (Male)
68	23-467	1	Hydraulic Hose
69	03-003	1	Cooler - Oil
70	03-372	1	Fitting - 90°
71	03-623	1	Valve - Left Wing
72	03-366	2	Fitting
73	13-526	1	Tube Ass'y
74	03-354	2	Fitting - 90°
75	03-096	2	Nipple - 3/8" x 3"
76	03-352	2	Fitting - Straight
77	03-004A	1	Cylinder - Left Wing
78	03-624	1	Valve - Right Wing
79	13-335	1	Fitting - 90°
80	06-686	1	Rubber Grommet

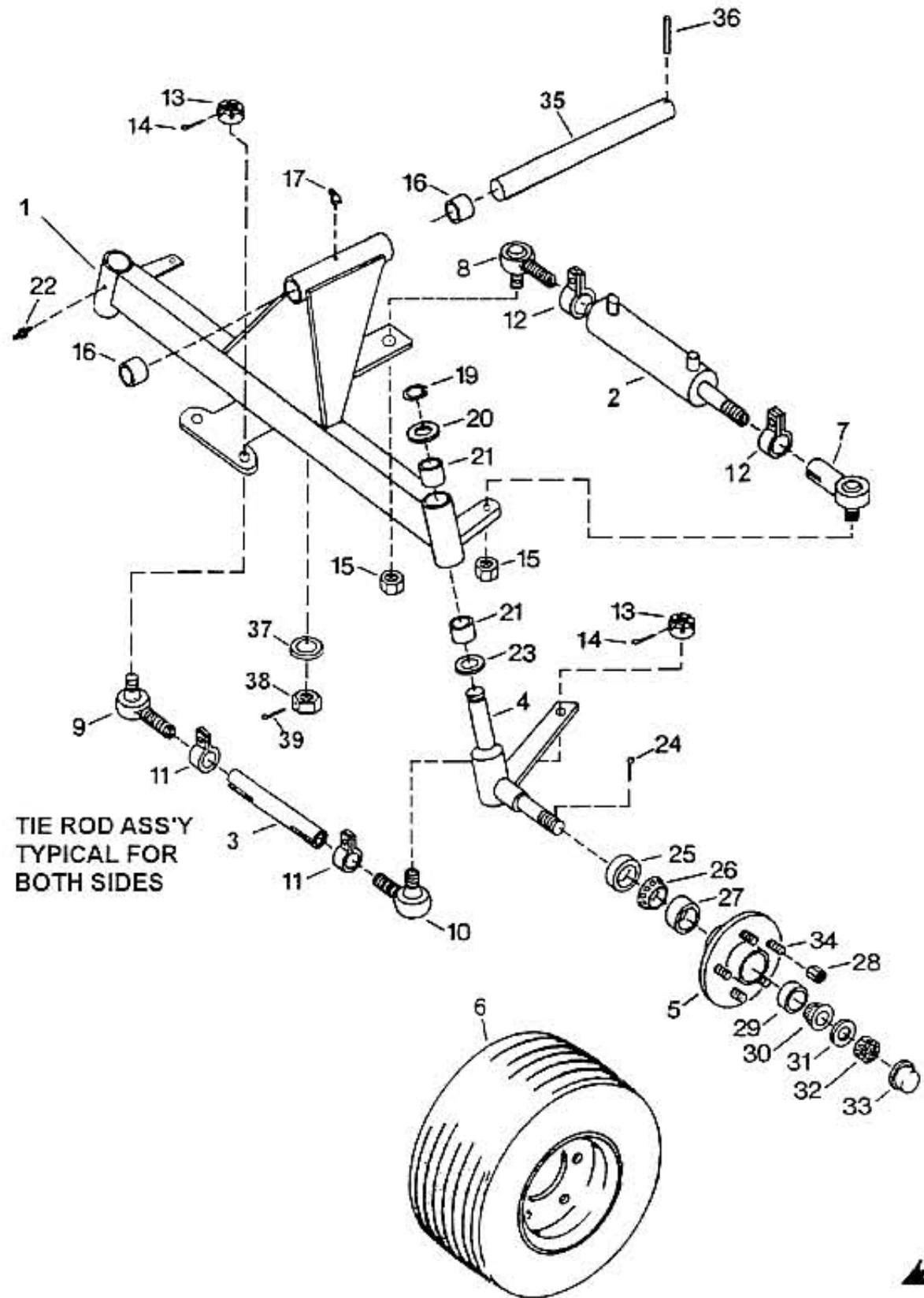
VALVE BANK ASSEMBLY



Item	Part#	Qty.	Description
1	13-529	1	Manifold Ass'y
2	1030	4	Bolt - 3/8" x 3/4"
3	1112	4	Locknut - 3/8" - 16"
4	6023	10	Hose Clamp - 1"
5	13-400	3	Hose - 3 - 3/4"
6	13-262	2	Hose - 5 - 1/8"
7	03-365	1	Fitting - 90°
8	13-266	3	Valve - Check
9	03-713	4	Fitting - 90°
10	03-362	4	Fitting - Straight
11	03-606	3	Blade Valve
-	03-714	-	Valve Seal Kit
12	13-238	2	Fitting - 90°
13	03-366	3	Fitting - 90°
14	06-499	2	Link
15	1003	3	Bolt - 1/4" - 20 x 1"
16	1110	3	Locknut 1/4" - 20
17			
18	06-329	3	Knob
19	06-403	3	Lever Ass'y
20	06-572	1	Valve Mount Plate
21	02-349	3	Safety Switch
22	02-292	3	Protective Cover
23	2058	6	Screw #12 x 1/2"
24	1011	1	Bolt - 1/4" - 20 x 3"
25	1220	6	Flatwasher 1/4"
26	1110	6	Locknut - 1/4" - 20
27	1056	2	Flatwasher - 1/4" SAE
28	03-361	2	Fitting - Straight
29	1008	5	Boit 1/4" - 20 x 2-1/4"

Item	Part#	Qty.	Description
------	-------	------	-------------

REAR STEERING AXLE ASSEMBLY



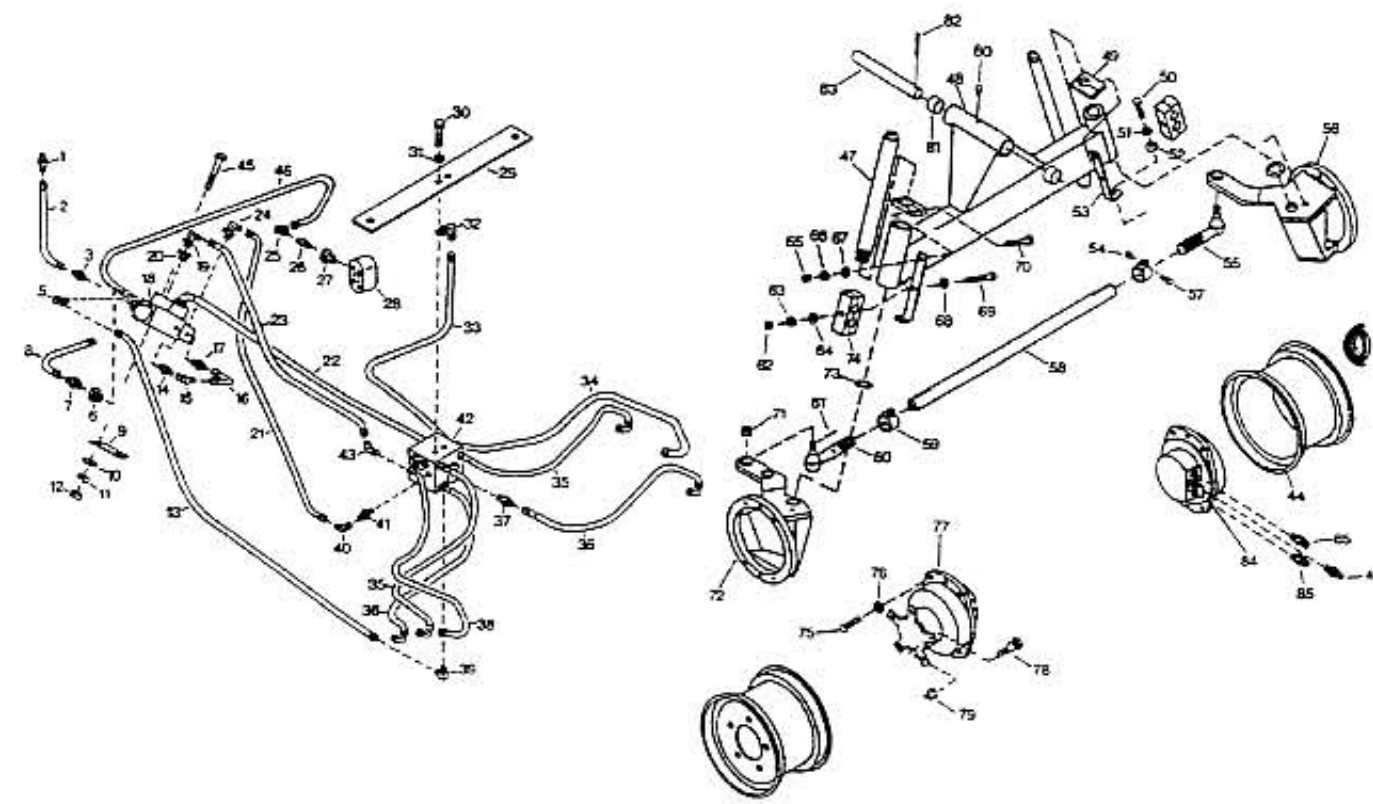
TIE ROD ASS'Y
TYPICAL FOR
BOTH SIDES

←
FORWARD

Item	Part#	Qty.	Description
1	06-625	1	Rear Axle - Ass'y
2	13-710	1	Steering Cylinder
3	06-631	2	Tie Rod
4	06-632	1	Steering Spindle Ass'y - Left
—	06-633	1	Steering Spindle Ass'y - Right
5	04-171	2	Wheel Hub
6	06-195A	2	Rear Wheel / Tire Ass'y
—	06-196A	1	Wheel Only
—	05-006	1	Tire Only
—	05-007	1	Repair Tube
7	04-109	1	Rod End
8	04-109	1	Rod End
9	04-085	2	Tie Rod End - Left
10	04-086	2	Tie Rod End - Right
11	04-016	4	Clamp - Tie Rod
12	04-012	2	Clamp - Cylinder
13	1211	2	Castlenut 1/2" - 20
14	1609	2	Cotter Pin 1/8" x 1-1/4"
15	1729	1	Nylon Halfnut 5/8" - 18
16	04-407	2	Bushing 1-1/4" I.D. x 1-1/2" O.D.
17	1502	1	Grease Fitting - 90°
18	1729	1	Nylon Halfnut 5/8" - 18
19	04-004	2	Snap Ring
20	04-003	2	Support Washer
21	04-407	4	Bushing 1-1/4" I.D. x 1-1/2" O.D.
22	1500	2	Grease Fitting
23	06-693	2	Thrust Washer
24	1609	2	Cotter Pin 1/8" x 1-1/4"
25	04-177	2	Seal - Inner
26	04-192	2	Bearing Cone - Inner
27	04-173	2	Bearing Cup - Inner
28	05-148	10	Lug Nut
29	04-174	2	Bearing Cup - Outer
30	04-193	2	Bearing Cone - Outer
31	1224	2	Flatwasher 3/4"
32	04-011	2	Slotted Nut 3/4" - 16
33	04-107	2	Dust Cap
34	04-239	10	Stud - Wheel
35	06-002	1	Pivot Pin - Axle
36	1133	1	Roll Pin 1/4" x 2"
37	06-694	1	Washer
38	1865	1	Nut
39	1609	1	Cotter Pin

Item	Part#	Qty.	Description
------	-------	------	-------------

4WD STEERING / HYDRAULICS ASSEMBLY

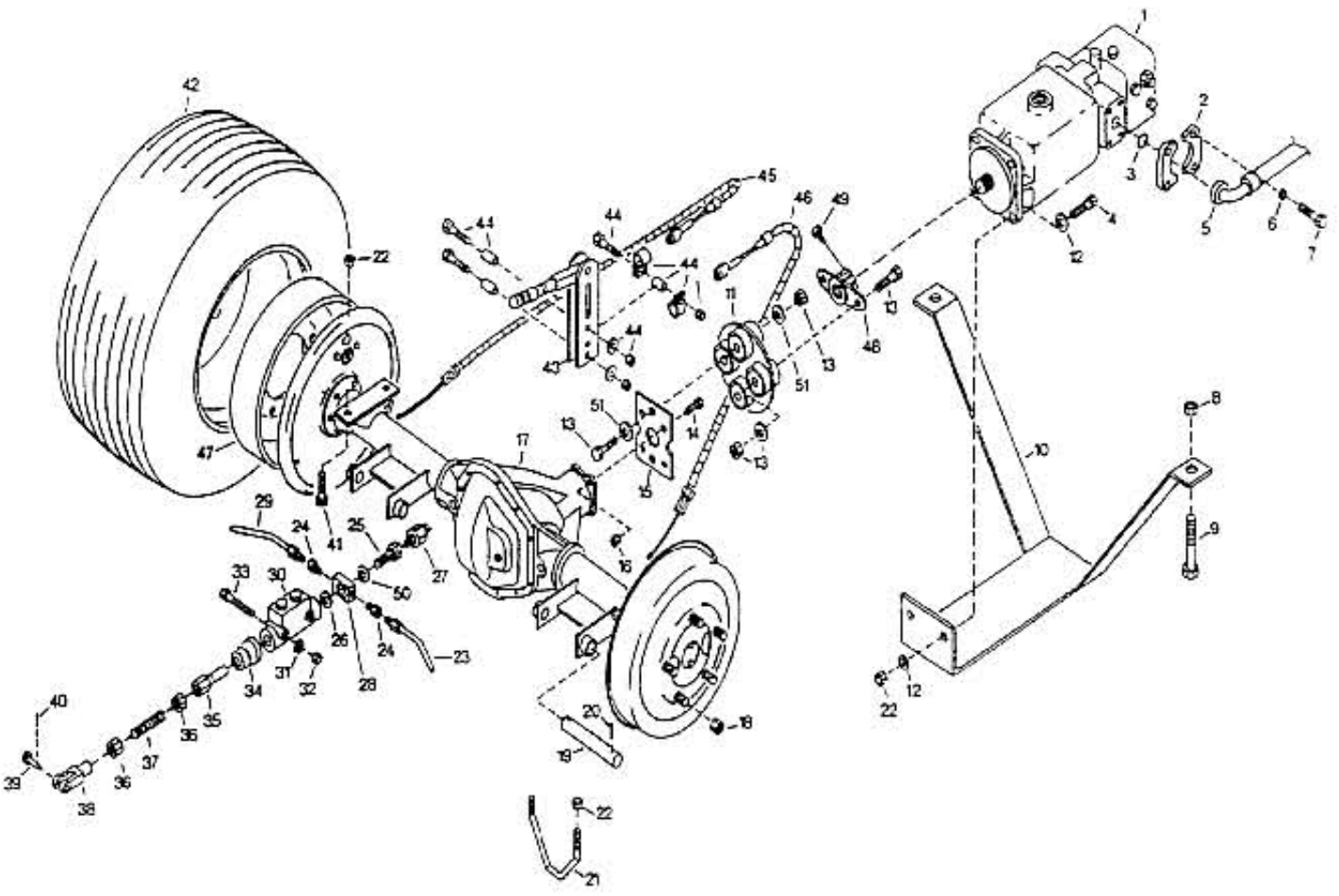


↑
FORWARD

Item	Part#	Qty.	Description
1	03-751	1	Fitting
2	13-572	1	Hose Ass'y
3	03-076	1	Fitting
4	13-600	1	Fitting
5	13-601	1	Fitting
6	13-597	1	Fitting
7	13-329	1	Fitting
8	13-603	1	Tube Ass'y
9	06-485	1	Strap - Valve
10	1221	2	Flatwasher - 5/16"
11	1201	2	Lockwasher - 5/16"
12	1102	2	Nut - 5/16"
13	13-571	1	Hose Ass'y
14	13-592	1	Fitting
15	13-593	1	Fitting
16	13-604	1	Tube Ass'y
17	13-592	1	Fitting
18	13-564	1	Valve - Directional Control
19	03-073	2	Fitting
20	13-596	2	Fitting
21	13-573	1	Hose Ass'y
22	13-568	1	Hose Ass'y
23	13-568	1	Hose Ass'y
24	03-073	1	Fitting
25	13-595	1	Fitting
26	13-595	2	Fitting
27	13-594	2	Fitting
28	13-569	2	Manifold
29	06-477	1	Strap - Manifold
30	1020	2	Bolt 5/16" - 18 x 3/4"
31	1201	2	Lockwasher - 5/16"
32	13-601	1	Fitting
33	13-570	1	Hose Ass'y
34	13-576	1	Hose Ass'y
35	23-109	1	Hose Ass'y
36	23-109	1	Hose Ass'y
37	03-072	4	Fitting
38	13-570	1	Hose Ass'y
39	13-601	1	Fitting
40	13-601	2	Fitting
41	03-076	2	Fitting
42	13-565	1	Manifold - Traction Control
43	03-074	2	Fitting
44	06-471	2	Wheel
45	1937	2	Bolt 5/16" x 3/4"
46	13-566	1	Hose Ass'y
47	06-475	2	Kingpin Bolt Ass'y
48	06-467	1	Axle
49	06-474	2	Clamp
50	1020	2	Bolt 5/16" - 18 x 3/4"
51	1201	2	Lockwasher - 5/16"
52	1221	2	Flatwasher - 5/16"
53	06-472	2	Bracket
54	1728	2	Nut 3/8" - 24 Plated

Item	Part#	Qty.	Description
55	04-086	1	Tie Rod End
56	06-468	1	Spindle Ass'y
57	1727	2	Bolt 3/8" - 24 x 1 - 3/4"
58	06-470	1	Tie Rod
59	04-016	2	Rod Clamp
60	04-085	1	Tie Rod End
61	1609	2	Cotter Pin 1/8" x 1 - 1/4"
62	1111	2	Locknut 5/16"
63	1201	2	Lockwasher - 5/16"
64	1221	2	Flatwasher - 5/16"
65	1110	2	Locknut - 1/4"
66	1200	2	Lockwasher - 1/4"
67	1220	2	Flatwasher - 1/4"
68	1221	2	Flatwasher - 5/16"
69	1936	2	Bolt 5/16" - 18 x 2 - 3/4"
70	1010	2	HHCS 1/4" - 20 x 2 - 3/4"
71	1211	2	Castlenut 1/2" - 20
72	06-469	1	Spindle Ass'y
73	06-476	2	Thrust Washer
74	06-473	2	Clamp Ass'y
75	1736	12	HHCS 1/2" - 13 x 1 - 1/2" Gr. 8
76	1203	12	Lockwasher 1/2"
77	13-581	2	Motor
—	13-645	1	O-Ring - Back Cover
78	06-498	10	Stud
79	06-499	10	Lug Nut
80	1502	1	Grease Fitting - 90°
81	04-002	1	Bushing
82	1149	1	Roll Pin 1/4"
83	06-002	1	Pivot Pin - Axle
84	13-581	1	Motor
85	13-599	1	Fitting

BRAKES / DRIVE TRAIN ASSEMBLY

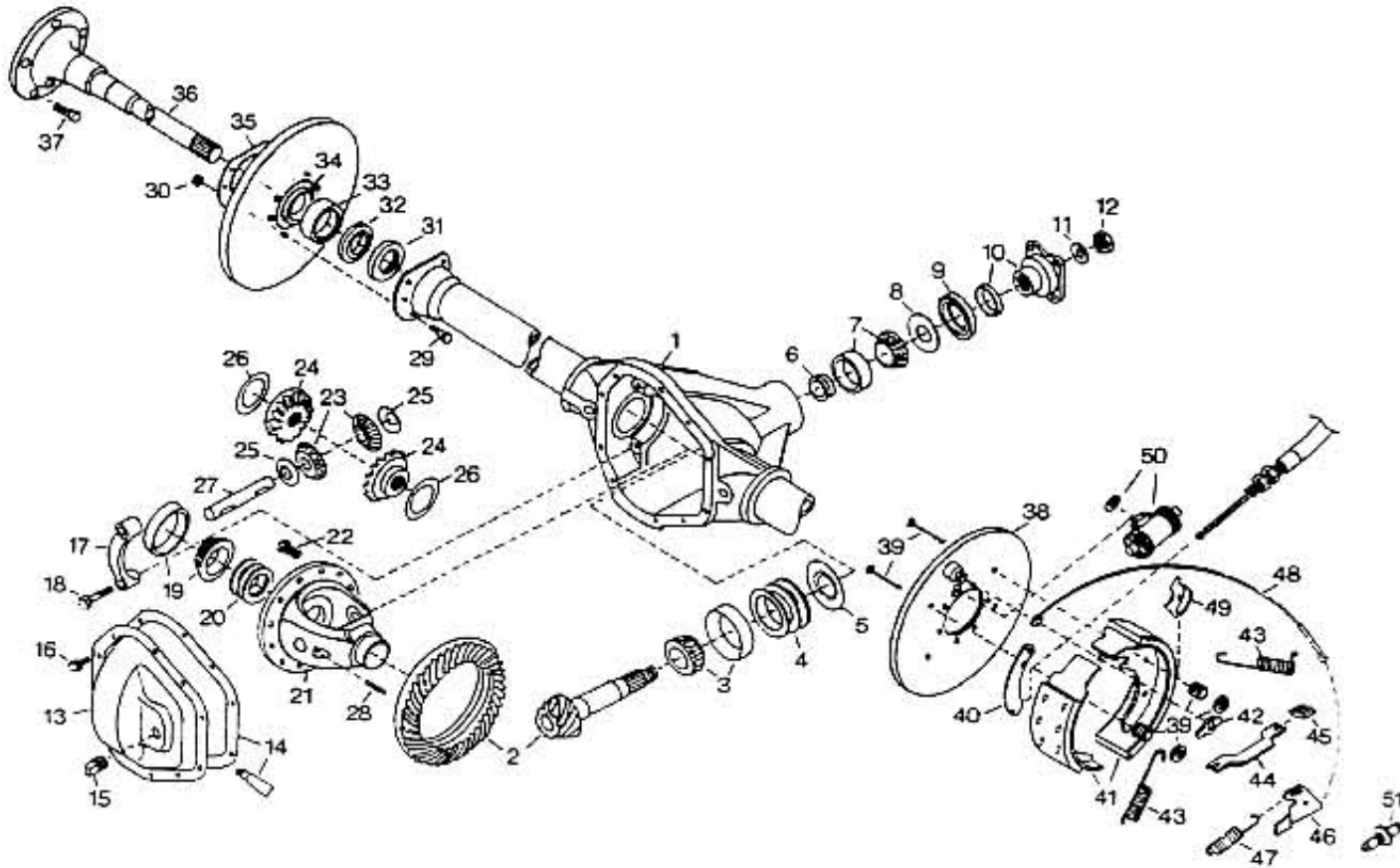


←
FORWARD

Item	Part#	Qty.	Description
1	03-497	1	Transmission Motor
2	13-030	4	Clamp
3	03-347	2	O-Ring
4	1965	4	Bolt 1/2" - 13 x 2" Gr. 5
5	13-026	2	Hose
6	1202	8	Lockwasher - 3/8"
7	1973	8	Bolt 3/8" - 16 x 1 - 1/4" Gr. 8
8	1747	2	Locknut 1/2" - 13
9	1840	2	Bolt 1/2" - 13 x 7-1/2" Gr. 8
10	06-247	1	Skid Plate
11	06-202	1	Coupling
12	1231	8	1/2" SAE Flatwasher
13	06-210	1	Coupling Nut / Bolt Set
14	1078	4	Bolt 7/16" - 20 x 1 - 1/4"
15	06-204	1	Adapter Plate - Coupling
16	1960	4	Locknut 7/16 - 20
17	05-124A	1	Transaxle Ass'y
18	04-061	10	Lug Nut
19	06-032	2	Pivot Pin - Push Arm
20	1608	4	Cotter Pin - 1/8" x 2"
21	06-211	1	Torque Bolt - Differential
22	1747	10	Locknut 1/2" - 13
23	04-155	1	Brake Line - 30"
24	03-248	2	Fitting
25	06-582	1	Line Bolt
26	06-130	1	Gasket
27	02-118	1	Switch - Pressure
28	06-581	1	Fitting Block
29	04-156	1	Brake Line - 20"
30	06-125	1	Brake Master Cylinder
31	1204	2	Lockwasher - 7/16"
32	1745	2	Hexnut 7/16" - 14
33	1906	2	Bolt 7/16" x 4" Gr. 5
34	06-126	1	Rubber Boot
35	06-127	1	Push Rod
36	1979	2	Hex Jam Nut 1/2" - 20
37	06-143	1	Brake Link
38	04-152	1	Clevis
39	2081	1	Clevis Pin
40	1605	1	Clevis Pin 3/32" x 1"
41	1736	4	Bolt 1/2" - 13 x 1-1/2"
42	06-120	2	Drive Wheel / Tire Ass'y
—	06-121	—	Wheel Only
—	06-122	—	Tire Only
—	06-327	—	Repair Tube
43	04-149	1	Brake Lever Ass'y
44	04-194	1	Brake Lever Hardware Kit
45	06-270	1	Brake Cable - Long
46	06-269	1	Brake Cable - Short
47	06-189	2	Brake Drum
48	06-577	1	Coupling
49	2236	2	Cap Screw 7/16" - 14 x 1-1/4" Gr. 8
50	06-131	1	Gasket
51	2237	6	Flatwasher 9/16" SAE Gr. 8

Item	Part#	Qty.	Description
------	-------	------	-------------

DIFFERENTIAL ASSEMBLY

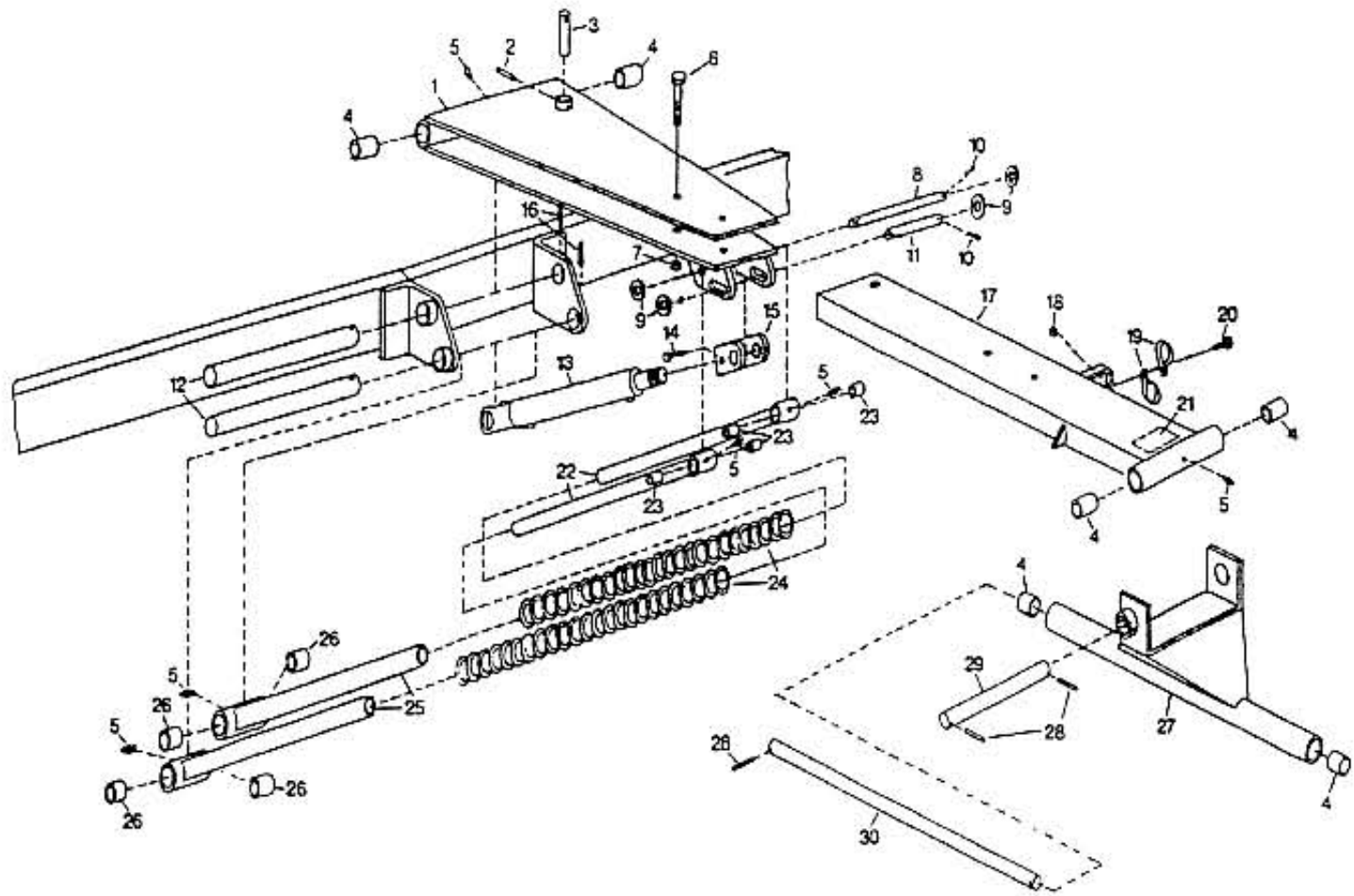


Complete Assembly
06-124

Item	Part#	Qty.	Description
1	06-162	1	Axle Housing
2			
3	06-169	1	Inner Pinion Bearing Kit
4			
5			
6			
7	06-170	1	Outer Pinion Bearing Kit
8			
9	06-171	1	Pinion Seal
10	06-174	1	Companion Flange Ass'y
11	06-172	1	Pinion Washer
12	06-173	1	Pinion Nut
13			
14			
15	06-175	1	Cover Plug
16	05-176	10	Carrier Cover Bolt
17			
18	06-177	4	Differential Bearing Cap Bolt
19	06-178	2	Differential Bearing Kit
20			
21			
22	06-179	12	Drive Gear Bolt
23			
24			
25			
26			
27			
28	06-180	1	Differential Shaft Lock
29	06-181	12	Brake Mounting Bolt
30	06-182	12	Brake Mounting Seal
31	06-183	2	Shaft Inboard Seal
32	06-184	2	Wheel Bearing Retaining Ring
33	06-185	2	Bearing Ass'y
34	06-186	2	Shaft Outboard Seal
35	06-187	2	Oil Seal Retainer
36			
37	06-188	10	Wheel Bolt
38	06-257	1	Backing Plate - Left
	06-268	1	Backing Plate - Right
39	06-205	4	Brake Return Spring Kit
40	06-225	1	Parking Brake Lever - Left
	06-226	1	Parking Brake Lever - Right
41	06-207	2	Brake Shoe Kit
42	06-227	2	Shoe Guide Plate
43	06-228	4	Brake Shoe Return Spring
44	06-229	2	Strut
45	06-230	2	Strut Spring
46	06-231	1	Auto Adj. Lever - Left
	06-232	1	Auto Adj. Lever - Right
47	06-206	2	Auto Adj. Spring
48	06-233	2	Cable Ass'y
49	06-234	2	Cable Guide
50	06-209	2	Wheel Cyl. - Complete
	06-208		Wheel Cyl. Repair Kit

Item	Part#	Qty.	Description
51	06-235	1	Adjusting Screw - Right
	06-236	1	Adjusting Screw - Left
	06-163		KIT - Drive Gear & Pinion Ass'y
			Includes 2,3,4,5,6,7,8,9,11,12,14,20,22
	06-164		KIT - Differential Case Ass'y
			Includes 14,19,20,21,22,23,24,25,26,27,28
	06-165		KIT - Differential Parts
			Includes 14,22,23,24,25,26,27,28
	06-166		KIT - Axle Shaft Ass'y
			Includes 31,32,33,34,35,36,37
	06-167		KIT - Unit Bearing & Seal
			Includes 31,32,33,34,35
	06-168		KIT - Gear Carrier Cover
			Includes 13,14,15,16

WING ARM ASSEMBLY

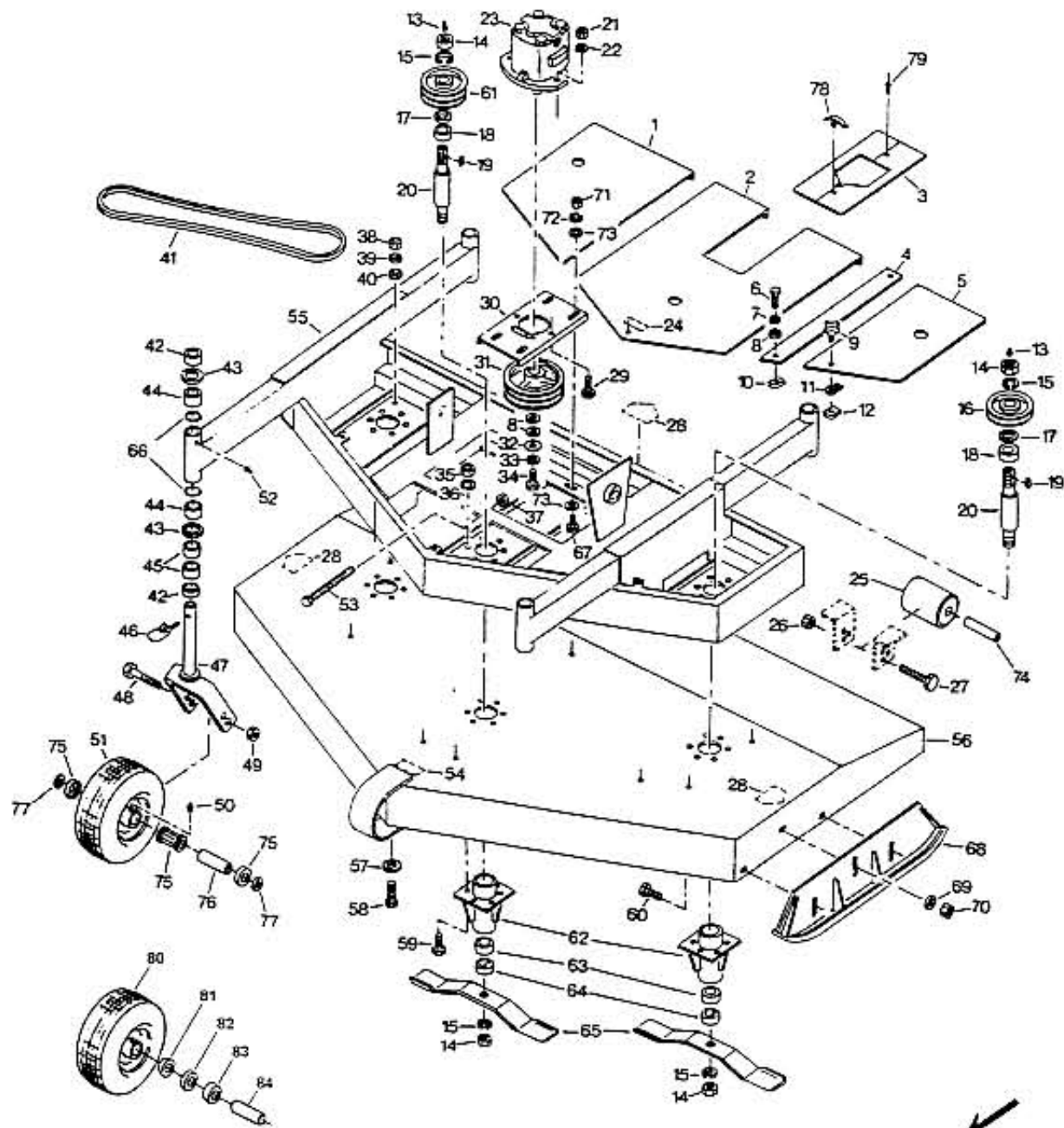


←
FORWARD

Item	Part#	Qty.	Description
1	06-483	1	Wing Hinge Ass'y - Left
—	06-482	1	Wing Hinge Ass'y - Right
2	1132	1	Roll Pin - 1/4" x 1-1/2"
3	06-035	1	Pivot Pin - Break Away
4	04-020	4	Bushing - 1-1/4" I.D. x 1-1/2" O.D.
5	1500	6	Grease Fitting
6	1040A	2	Shear Bolt - 3/8" - 16 x 3-1/4" Gr. 2
7	1112	2	Locknut - 3/8" - 16
8	06-037	1	Pivot Pin - Spring Guide
9	1226	4	Flatwasher - 1"
10	1608	4	Cotter Pin - 1/8" x 2"
11	06-038	1	Clevis Pin - Lift Cylinder
12	06-036	2	Pivot Pin - Wing Hinge
13	03-004A	1	Lift Cylinder - Left Wing
—	03-005A	1	Lift Cylinder - Right Wing
—	03-724	—	Cylinder Repair Kit
14	1733	1	Clevis Clamp Bolt - 3/8" - 16 x 1-3/4"
15	03-006	1	Clevis - Lift Cylinder
16	1149	2	Roll Pin - 1/4" x 1 - 5/8"
17	06-453	1	Wing Arm - Left (72" Deck)
—	06-454	1	Wing Arm - Right (72" Deck)
—	06-511	1	Wing Arm - Left (60" Deck)
—	06-512	1	Wing Arm - Right (60" Deck)
18	1110	1	Locknut - 1/4" - 20
19	04-141	2	Hose Clamp
20	1003	1	Bolt - 1/4" - 20 x 1"
21	00-001	1	Decal - "Spring Loaded Arm"
22	06-579	2	Spring Guide - Upper
23	4121	4	Bushing
24	06-583	2	Spring - Counter Balance
25	06-580	2	Spring Guide - Lower
26	04-020	6	Bushing - 1-1/4" I.D. x 1-1/2" O.D.
27	07-161	1	Bracket Ass'y - Hanger
28	1132	4	Roll Pin - 1/4" x 1-1/2"
29	06-036	1	Pivot Pin - Upper
30	07-162	1	Pivot Pin - Lower

Item	Part#	Qty.	Description
------	-------	------	-------------

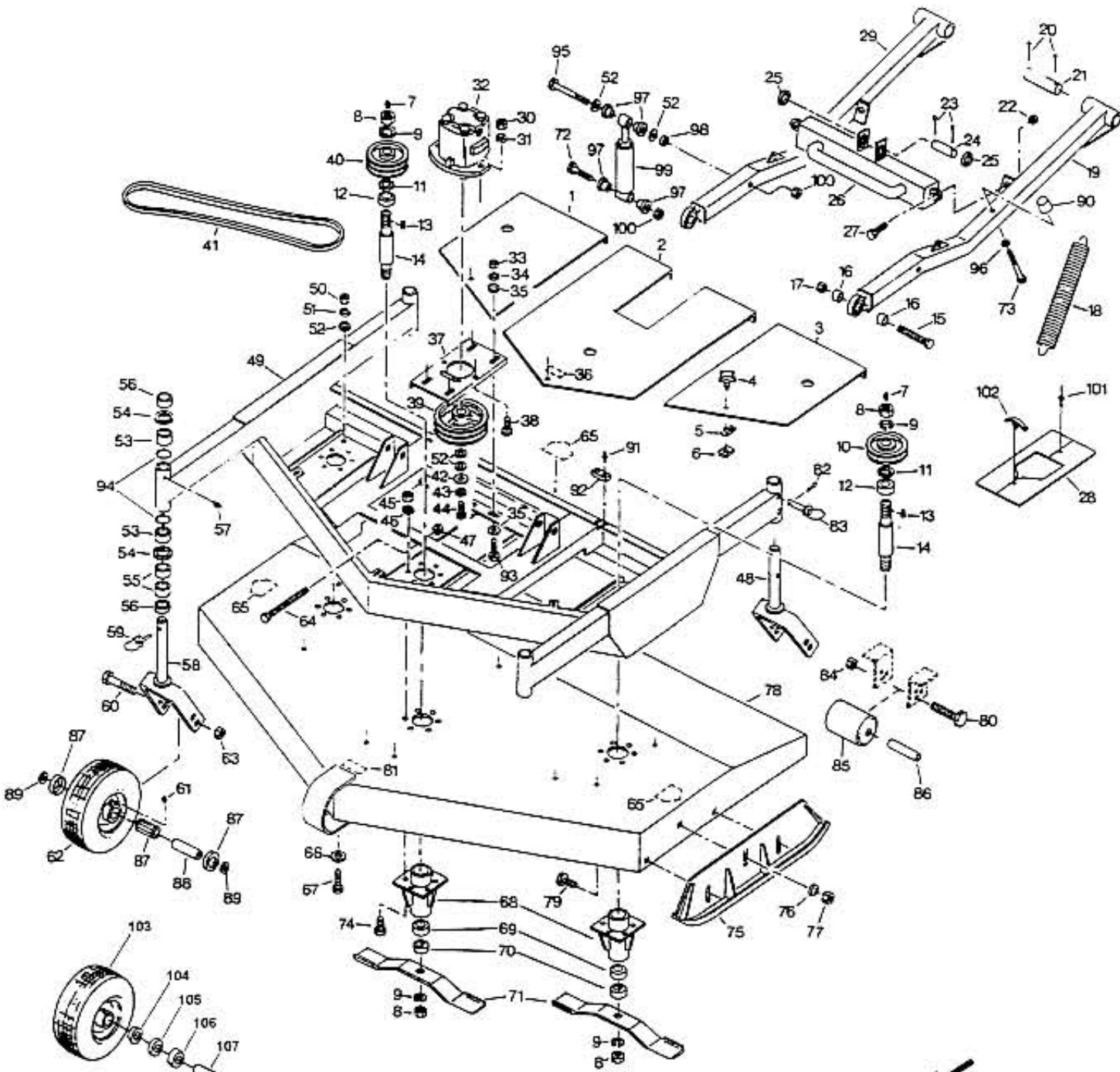
WING DECK ASSEMBLY



FORWARD

Item	Part#	Qty.	Description	Item	Part#	Qty.	Description
1	07-153	1	Cover - Outer Right Wing (72" Deck)	46	07-016	4	Kick Pin
—	07-154	1	Cover - Outer Left Wing (72" Deck)	47	07-308	4	Caster Yoke
—	07-166	1	Cover - Outer Right Wing (60" Deck)	48	1709	4	Bolt 5/8" - 11 x 6" - Gr. 5
—	07-167	1	Cover - Outer Left Wing (60" Deck)	49	1113	4	Locknut 5/8" - 11
2	07-155	1	Cover - Center (72" Deck)	50	1500	4	Grease Fitting - Straight
—	07-168	1	Cover - Center (60" Deck)	51	07-294	4	Caster Wheel - Pneumatic
3	07-156	1	Cover - Motor (72" Deck)	—	07-295	1	Wheel Only for #07-294
—	07-177	1	Cover - Motor (60" Deck)	—	07-296	1	Tire Only for #07-294
4	07-159	1	Cover - Strip Right Wing (72" Deck)	52	1500	4	Grease Fitting - Straight
—	07-160	1	Cover - Strip Left Wing (72" Deck)	53	2019	1	Bolt 3/8" - 16 x 3 - 1/2" Full Thread
5	07-157	1	Cover - Inner Right Wing (72" Deck)	54	00-057	1	Decal - "Blade Nut Torqued"
—	07-159	1	Cover - Inner Left Wing (72" Deck)	55	07-149	1	Frame Ass'y R.H. 72" Wing Deck
—	07-175	1	Cover - Inner Right Wing (60" Deck)	—	07-150	1	Frame Ass'y L.H. 72" Wing Deck
—	07-176	1	Cover - Inner Left Wing (60" Deck)	—	07-164	1	Frame Ass'y R.H. 60" Wing Deck
6	1020	2	Bolt 5/16" - 18 x 3/4"	—	07-165	1	Frame Ass'y R.H. 60" Wing Deck
7	1201	2	Lockwasher 5/16"	56	07-151	1	Deck Pan Ass'y 72"
8	1221	4	Flatwasher 5/16"	—	07-163	1	Deck Pan Ass'y 60"
9	07-315	3	Knob - Deck Hood	57	1221	9	Flatwasher - 5/16"
10	2015	2	"U" Nut - 5/16" - 18	58	2169	9	Bolt 5/16" - 18 x 1" Gr. 8
11	2026	3	Retainer	59	2169	18	Bolt 5/16" - 18 x 1" Gr. 8
12	2015	3	"U" Nut - 5/16" - 18	60	1076	6	Bolt 3/8" - 16" x 1"
13	1500	3	Grease Fitting 1/4" x 28 Straight	61	04-068	1	Pulley - Double Groove 72" Deck
14	1731	3	Jam Nut 1" - 14	—	04-065	1	Pulley - Double Groove 60" Deck
15	1207	3	Lockwasher 1"	62	07-413	3	Blade Hub
16	04-067	2	Pulley - Single Groove 72" Deck	63	04-105A	3	Bearing - Blade Shaft
—	04-064	2	Pulley - Single Groove 60" Deck	64	07-006B	3	Blade Adapter
17	07-011	4	(5 used on 72" Deck) Machine Bushing	65	07-204	3	Blade - 72" Deck
18	04-105A	3	Bearing - Blade Shaft	—	07-204H	3	Blade - 72" Deck (High lift)
19	1319	3	Key 1/4" x 1"	—	07-204L	3	Blade - 72" Deck (Low lift)
20	07-414	3	Blade Shaft	—	07-108	3	Blade - 60" Deck
21	1961	2	Hexnut 1/2" - 13	—	07-108H	3	Blade - 60" Deck (High lift)
22	1203	2	Lockwasher - 1/2"	—	07-108L	3	Blade - 60" Deck (Low lift)
23	13-607	1	Deck Motor	66	03-171	8	"O" Ring - Caster Yoke
24	7018	1	Decal - "Guards OSHA"	67	1824	4	Bolt 3/8" - 16 x 1-1/4"
25	07-135	1	Roller	68	07-152	2	Skid Ass'y
26	1747	1	Locknut 1/2" - 13	69	2079	6	Flatwasher - 3/8"
27	2124	1	Bolt 1/2" - 13 x 11"	70	1112	6	Locknut 3/8" - 16
28	00-054	4	Decal - "Keep Hands and Feet Away"	71	1103	4	Hexnut 3/8" - 16
29	1051	2	Bolt 1/2" x 1 - 1/4" Gr. 5	72	1202	4	Lockwasher - 3/8"
30	07-169	1	Motor Plate Ass'y	73	1222		Flatwasher - 3/8"
31	4163	1	Pulley - Double Groove	74	07-139	1	Roller Shaft
32	1229	1	Fender Washer - 5/16"	75	04-482	4	Wheel Bearing Kit (Includes Caps)
33	1201	1	Lockwasher - 5/16"	—	07-298	4	Wheel Bearing Kit (Includes Caps)
34	1213	1	Bolt - 5/16" - 18 x 1"	76	07-366*	4	Spacer - Caster Wheel Brg.
35	1102	18	Hexnut 5/16" - 18	77	06-534*	8	Spacer - Caster Wheel
36	1201	18	Lockwasher - 5/16"	—	4341**	8	Spacer - Caster Wheel
37	1103	1	Hexnut 3/8" - 16	78	2153	1	Clip - Motor Cover
38	1102	9	Hexnut 5/16" - 18	79	1893	1	Pop Rivet - 3/16" x 1/4"
39	1201	9	Lockwasher - 5/16"	80	07-862	4	Caster Wheel (Foam filled)
40	1221	9	Flatwasher - 5/16"	81	6053	8	Bearing - Cup
41	3463	2	Belt 72" Deck	—	5077	8	Bearing - Cone
—	3462	2	Belt 60" Deck	82	17-059	8	Seal
42	07-001	8	Spacer - 1/2"	83	07-088	4	Spacer
43	1942	8	Flatwasher 1-1/4" SAE	84	07-880	4	Sleeve
44	04-002	8	Bushing				
45	07-000	8	Spacer - 1"				

FRONT DECK ASSEMBLY

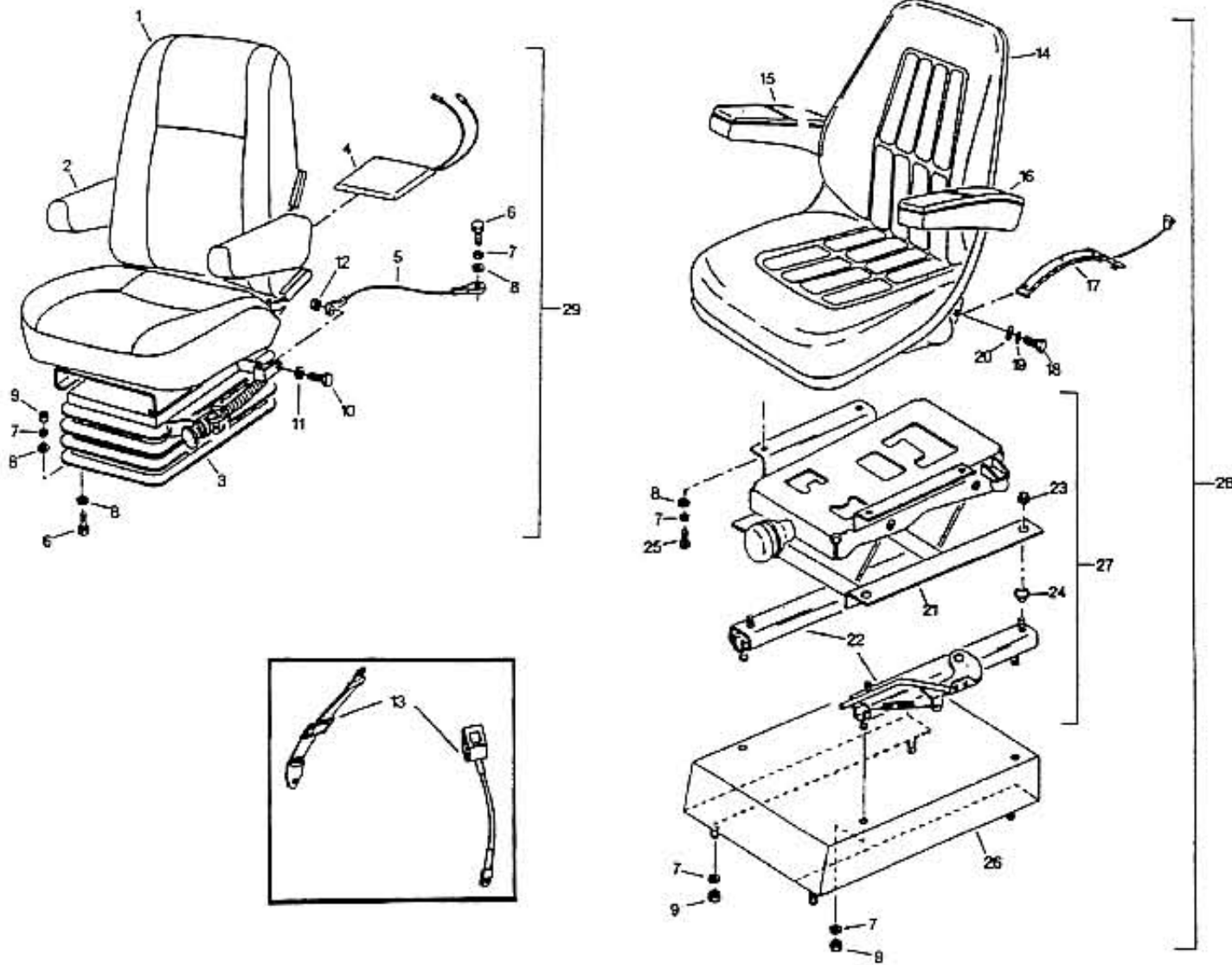


←
FORWARD

Item	Part#	Qty.	Description
1	07-153	1	Cover - R.H.
2	07-155	1	Cover - Cntr.
3	07-154	1	Cover - L.H.
4	07-315	3	Knob - Deck Hood
5	2006	3	Retainer
6	2015	3	U-Nut - 5/16" - 18
7	1500	3	Grease Fitting
8	1731	6	Jam Nut 1" - 14
9	1207	6	Lockwasher 1"
10	04-067	2	Pulley - Single Groove
11	07-011	5	Machine Bushings
12	04-105A	3	Bearing - Blade Shaft
13	1310	3	Key 1/4" x 1"
14	07-414	3	Blade Shaft
15	1069	2	Bolt 3/4" - 10 x 3 - 1/4"
16	4119	4	Spacer
17	1114	2	Locknut 3/4" - 10
18	06-584	2	Spring
19	07-054	1	Push Arm Left
20	1608	4	Cotter Pin 1/8" x 2"
21	06-032	2	Pivot Pin
22	1114	2	Locknut 3/4" - 10
23	1608	2	Cotter Pin 1/8" x 2"
24	06-152	1	Pin
25	1408	2	Flatwasher - 1" SAE
26	07-017	1	Lift Bar
27	1754	2	Bolt 3/4" - 10 x 2"
28	07-156	1	Cover - Hyd Motor
29	07-053	1	Push Arm Right
30	1961	2	Hexnut 1/2" - 13
31	1203	2	Lockwasher - 1/2"
32	13-607	1	Deck Motor
33	1103	4	Nut 3/8" - 16 Hex
34	1202	4	Lockwasher - 3/8"
35	1222	8	Flatwasher - 3/8"
36	7018	1	Decal "Guards OSHA"
37	07-169	1	Motor Plate Ass'y
38	1051	2	Bolt 1/2" - 13 x 1- 1/4"
39	4163	1	Pulley - Double Groove
40	04-068	1	Pulley - Double Groove
41	3463	2	Belt
42	1229	1	Fenderwasher - 5/16"
43	1201	1	Lockwasher - 5/16"
44	1213	1	Bolt 5/16" - 18 x 1" Gr. 5
45	1102	18	Hexnut 5/16" - 18
46	1201	18	Lockwasher - 5/16"
47	1103	1	Hexnut 3/8" - 16
48	07-170	2	Caster Yoke - Used w/04-465
49	07-172	2	Caster Yoke - Used w/07-294
50	07-148	1	Frame Ass'y - Front 72" Deck
51	1102	9	Hexnut 5/16" - 18
52	1201	9	Lockwasher - 5/16"
53	1221	13	Flatwasher - 5/16"
54	04-002	4	Bushing
55	1942	4	Flatwasher 1-1/4" SAE
56	07-000	4	Spacer - 1"
57	07-001	4	Spacer - 1/2"
58	1500	2	Grease Fitting - Straight
59	07-308	2	Caster Yoke
60	07-016	2	Kick Pin
61	1709	4	Bolt 5/8"-11 x 6" Gr. 5
62	1500	4	Grease Fitting - Straight

Item	Part#	Qty.	Description
62	07-862	4	Caster Wheel - Foam filled
63	07-294	4	Caster Wheel - Pneumatic
64	07-295	1	Wheel Only For #07-294
65	07-296	1	Tire Only For #07-294
66	05-158	1	Inner Tube For #07-294
67	1113	4	Locknut 5/8" - 11
68	1041	1	Bolt 3/8" - 16 x 3-1/2"
69	00-054	5	Decal "Keep Hands and Feet Away"
70	1221	9	Flatwasher - 5/16"
71	2169	9	Bolt - 5/16" - 18 x 1" Gr. 8
72	07-413	3	Blade Hub
73	04-105A	3	Bearing - Blade Shaft
74	07-006B	3	Blade Adapter
75	07-204	3	Blades
76	07-204H	3	Blades (High lift)
77	07-204L	3	Blades (Low lift)
78	1026	1	Bolt 5/16" - 18 x 2 - 1/4"
79	1009	2	Bolt 1/4" - 20 x 2 - 1/4"
80	2169	18	Bolt 5/16" - 18 x 1"
81	07-152	2	Skid Ass'y
82	2079	6	Flatwasher 3/8"
83	1112	6	Nut 3/8" - 16
84	07-151	1	Pan Ass'y
85	1076	6	Carriage Bolt 3/8" - 16 x 1"
86	2124	1	Bolt 1/2" - 13 x 11"
87	00-057	1	Decal - "Blade Nut Torque"
88	4104	2	Clip
89	07-171	2	Pin
90	1747	1	Locknut 1/2" - 13
91	07-135	1	Roller
92	07-139	1	Roller Shaft
93	04-482	4	Wheel Bearing Kit
94	07-298	4	Wheel Bearing Kit
95	07-366	4	Spacer - Wheel Bearing
96	06-534	8	Spacer - Caster Wheel
97	4341	8	Spacer - Caster Wheel
98	04-185	2	Rubber Bumper
99	2251	4	Pop Rivet 3/16" x 5/8"
100	08-178	2	Bumper Pad
101	1824	4	Bolt 3/8" - 16 x 1 - 1/4"
102	03-171	4	"O" Ring - Caster Yoke
103	1744	1	Bolt 5/16" - 18 x 4" Gr. 8
104	1200	2	Lockwasher 1/4"
105	04-196	4	Rubber Bushing
106	09-128	1	Spacer
107	06-222	1	Shock Absorber
108	1111	2	Locknut 5/16" - 18
109	1893	1	Pop Rivet 3/16" x 1/4"
110	2153	1	Clip - Motor Cover
111	07-862	4	Caster Wheel (Foam filled)
112	6053	8	Bearing - Cup
113	5077	8	Bearing - Cone
114	17-059	8	Seal
115	07-088	4	Spacer
116	07-880	4	Sleeve

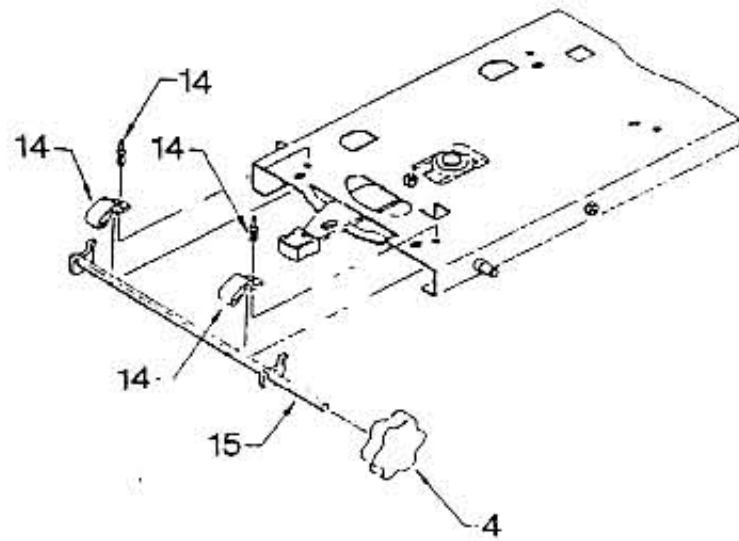
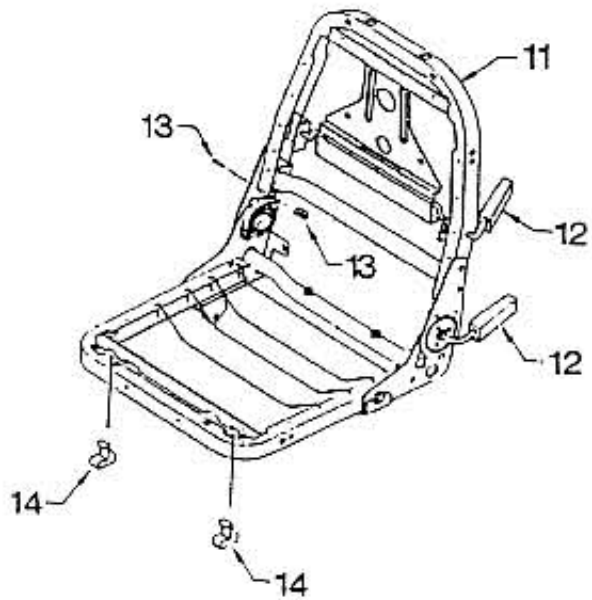
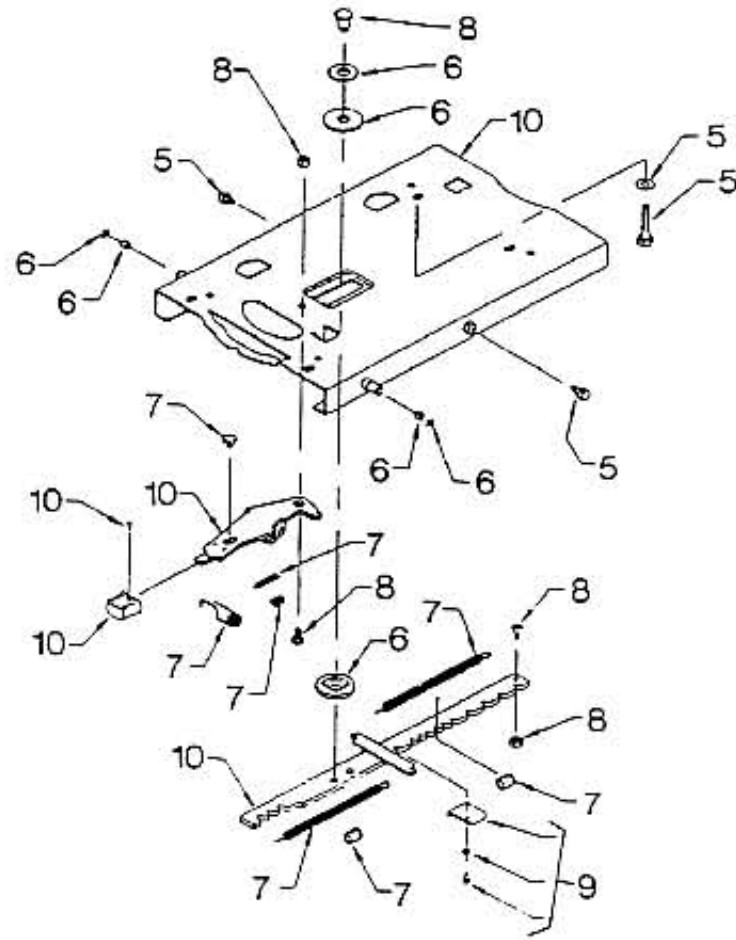
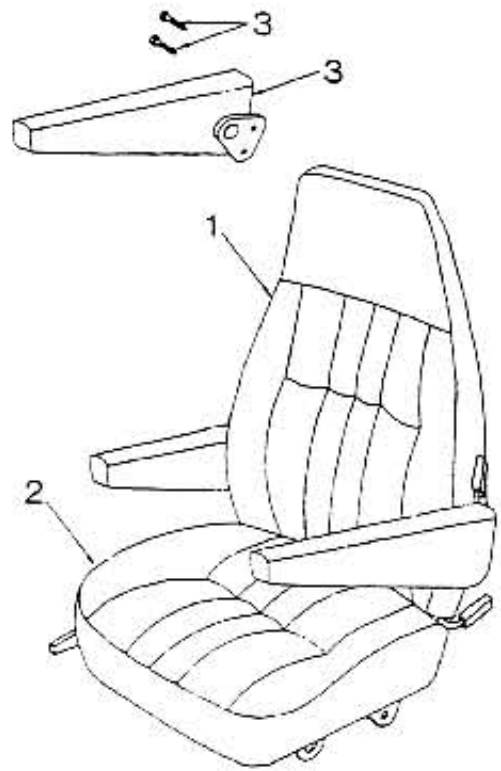
SEAT ASSEMBLY



Item	Part#	Qty.	Description
1	04-405	1	Cushion Ass'y - Air Seat
2	04-284	1	Armrest Kit - R.F. & L. H.
3	04-285	1	Suspension Cover
4	02-371	1	Seat Switch (w/o connector)
5	02-394	1	Seat Switch (w/ connector)
5	06-585	1	Cable - Seat Belt Anchor
6	1213	5	Bolt 5/16" - 18 x 1"
7	1201	17	Lockwasher 5/16"
8	2044	13	Flatwasher 5/16"
9	1102	12	Hexnut 5/16" - 18
10	1957	2	Bolt 3/8" - 16 x 1"
11	1201	2	Lockwasher 5/16"
12	1112	2	Locknut 3/8" - 16
13	04-049	1	Seat Belt Ass'y
14	05-862	1	Seat Cushion Ass'y - Milsco Deluxe
15	05-863	1	Armrest Ass'y - R.H.
16	05-863	1	Armrest Ass'y - L.H.
17	02-358	1	Seat Switch
18	1749	2	Bolt 7/16" - 20 x 1" Gr. 5
19	1204	2	Lockwasher 7/16"
20	1219	2	Flatwasher 7/16"
21	05-432	1	Suspension
22	05-545	1	Adjusters
23	1111	4	Locknut 5/16" - 18
24	05-547	4	Spacer
25	1020	4	Bolt 5/16" - 18 x 3/4"
26	06-466	1	Support - Milsco Seat
27	05-432	1	Suspension Ass'y
28	06-497	1	Standard Seat Ass'y
29	04-286	1	Deluxe Seat Ass'y

Item	Part#	Qty.	Description
------	-------	------	-------------

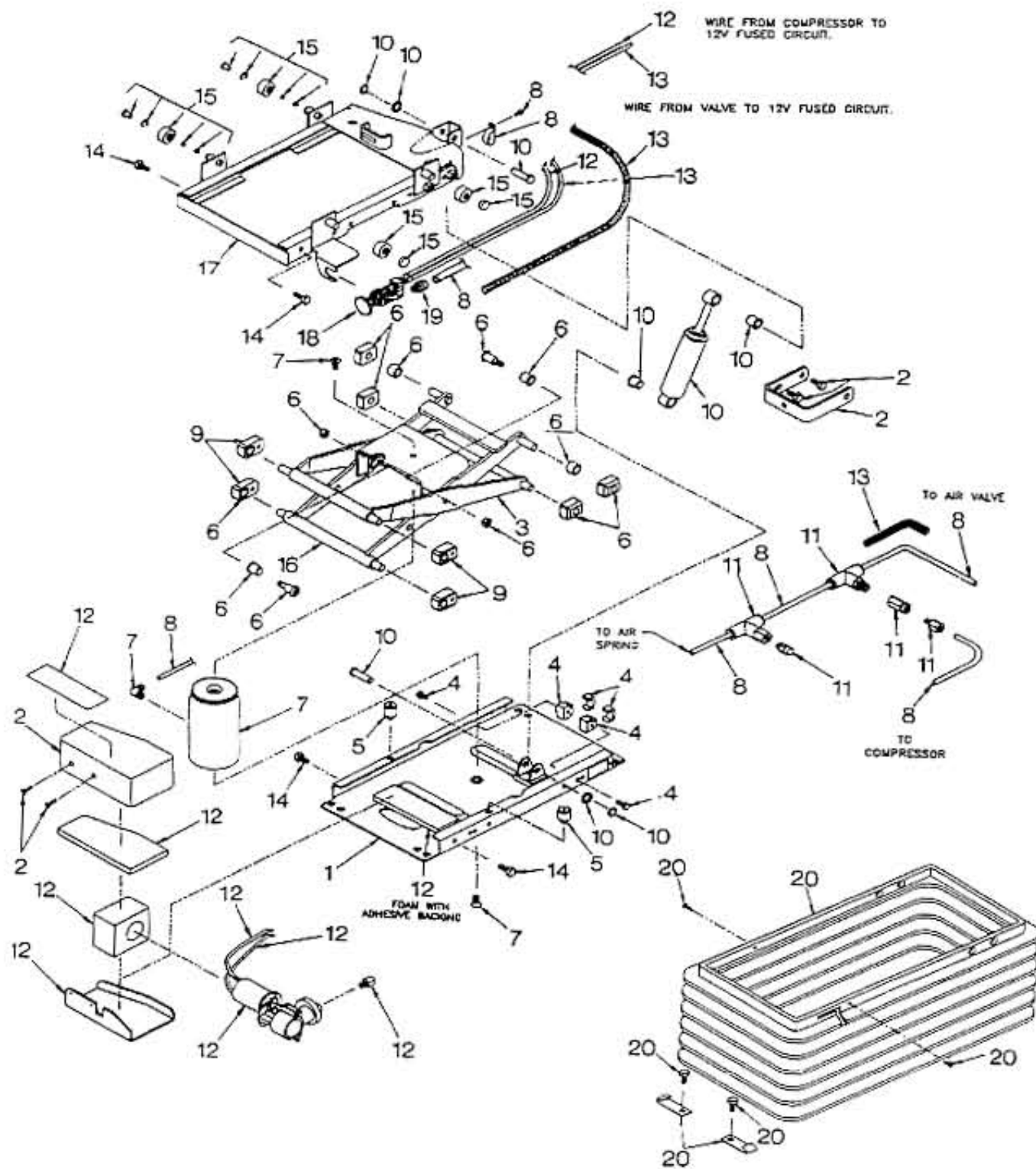
AIR SEAT FRAME & LINKAGES



Item	Part#	Qty.	Description
1	04-408	1	Seat Back Cover & Pad
2	04-409	1	Seat Cover & Pad
3	04-284	1	Kit - Armrest R.H. & L.H.
4	04-421	1	Knob
5	04-410	1	Kit - Seat Mounting
6	04-411	1	Kit - Bumper & Bushings
7	06-412	1	Kit - Springs
8	04-413	1	Kit - Fasteners
9	04-414	1	Kit - Restriction
10	04-415	1	Kit - Adjust
11	04-416	1	Frame Ass'y
12	04-417	2	Handle
13	04-418	2	Kit - Back Restriction
14	04-419	1	Kit - Cam Shaft Bracket & Back
15	04-420	1	Tilt Rod Ass'y

Item	Part#	Qty.	Description
------	-------	------	-------------

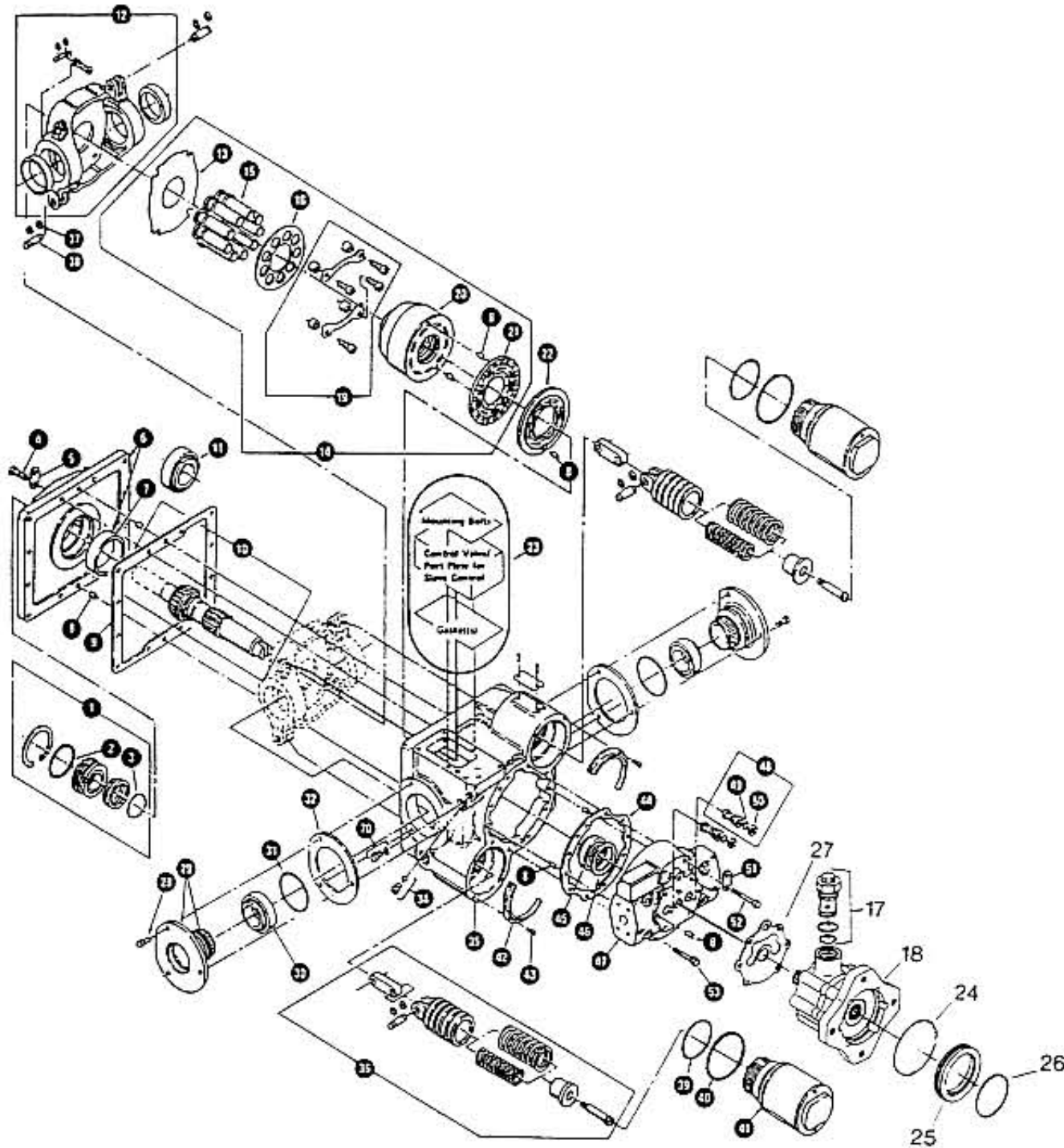
AIR SEAT SUSPENSION & COMPRESSOR



Item	Part#	Qty.	Description
1	04-425	1	Base Assembly
2	04-426	1	Kit - ICP Bracket
3	04-441	1	Lever Ass'y - Outer
4	04-428	1	Kit - Stop Blocks
5	04-429	1	Kit - Bumper Top & Bottom
6	04-427	1	Kit - Suspension Bearing
7	04-430	1	Kit - Air Springs Ass'y
8	?	1	Kit - Tubing
9	04-432	1	Bearing Block Ass'y
10	04-433	1	Kit - Damper
11	04-442	1	Kit - Valve and Fitting
12	04-435	1	Kit - Compressor Ass'y
-	04-436	1	Compressor / Motor Ass'y
13	04-437	1	Kit - Wire Ass'y
14	2186	1	Bolt 5/16" - 20 x 3/4" CL 8.8 ?
15	04-438	1	Kit - Fore & Aft Roller Ass'y
16	04-439	1	Lever Ass'y - Inner
17	04-440	1	Upper Plate Ass'y
18	06-376	1	Switch - Seat Valve
19	13-561	1	Fitting - Male Connector
20	04-285	1	Kit - Suspension Cover

Item	Part#	Qty.	Description
------	-------	------	-------------

TRANSMISSION ASSEMBLY

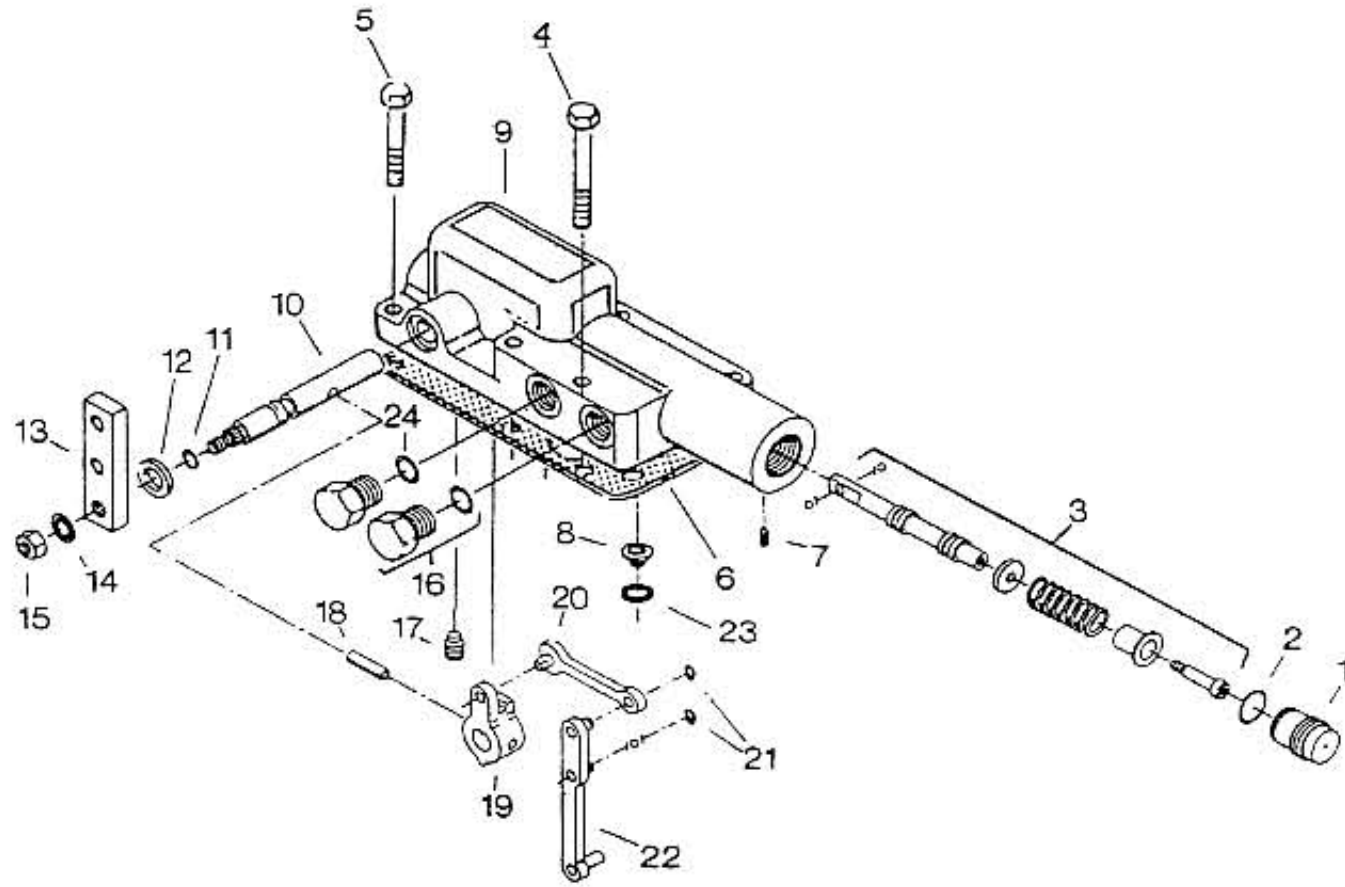


Complete Assembly
03-496

Item	Part#	Qty.	Description
1	13-189	1	Kit - Shaft Seal
2	13-123	1	O - Ring
3	13-118	1	O - Ring
4	13-117	12	Bolt
5	13-056	1	Shipping Strap
6	23-085	1	Mounting Flange
7	23-086	1	Cup - Bearing
8	13-053	9	Dowel
9	13-113	1	Gasket - Mtg. Flange
10	23-087	1	Drive Shaft
11	23-088	1	Bearing Kit - Mtg. Flange
12	23-089	1	Swash Plate
13	23-090	1	Plate - Thrust
14	23-091	1	Kit - Rotating Group
15	13-110	9	Piston - Slipper
16	23-092	1	Plate - Slipper Retaining
17	13-219	1	Relief Valve Ass'y
18	23-107	1	Charge Pump Subassembly
19	23-093	1	Kit - Series 1 Hold Down
20	23-094	1	Kit - Cylinder Barrel
21	23-095	1	Plate - Bearing
22	23-096	1	Plate - Valve
23	See Page 46 For Part Numbers		
24	13-978	1	O - Ring
25	23-016	1	Spacer - Wet B - Pad
26	13-979	1	O - Ring
27	13-052	1	Gasket
28	13-074	6	Bolt
29	23-097	2	Trunnion
30	23-098	2	Kit - Trunnion bearing
31	13-072	2	O - Ring
32	13-071	2	Shim Kit - Trunnion Brg.
33			
34	13-191	1	O - Ring Plug
35	13-067	1	Housing
36	23-099	2	Servo Piston
37	13-084	4	Retaining Ring - External
38	13-083	2	Pin - Servo Linkage
39	13-077	2	O - Ring
40	13-076	2	O - Ring
41	13-075	2	Kit - Servo Sleeve
42	13-066	2	Retainer - Servo
43	13-065	6	Capscrew - Socket Head
44	13-063	1	Gasket - End Cover
45	13-062	1	Kit - End Cover Bearing
46	13-061	1	Shim Kit - End Cover Brg.
47	23-108	1	End Cover
48	13-059	2	Check Valve
49	13-058	2	O - Ring
50	13-057	2	Backup Ring
51			
52	13-055	6	Bolt 3/8" - 16
53	13-054	6	Bolt 3/8" - 16
54			

Item	Part#	Qty.	Description
55			
56			
57			
58			
59			
60			
61			
62			
63			
64			
65			
66			
67			
68			
69			
70	13-193	1	O - Ring Plug

TRANSMISSION PUMP CONTROL ASSEMBLY

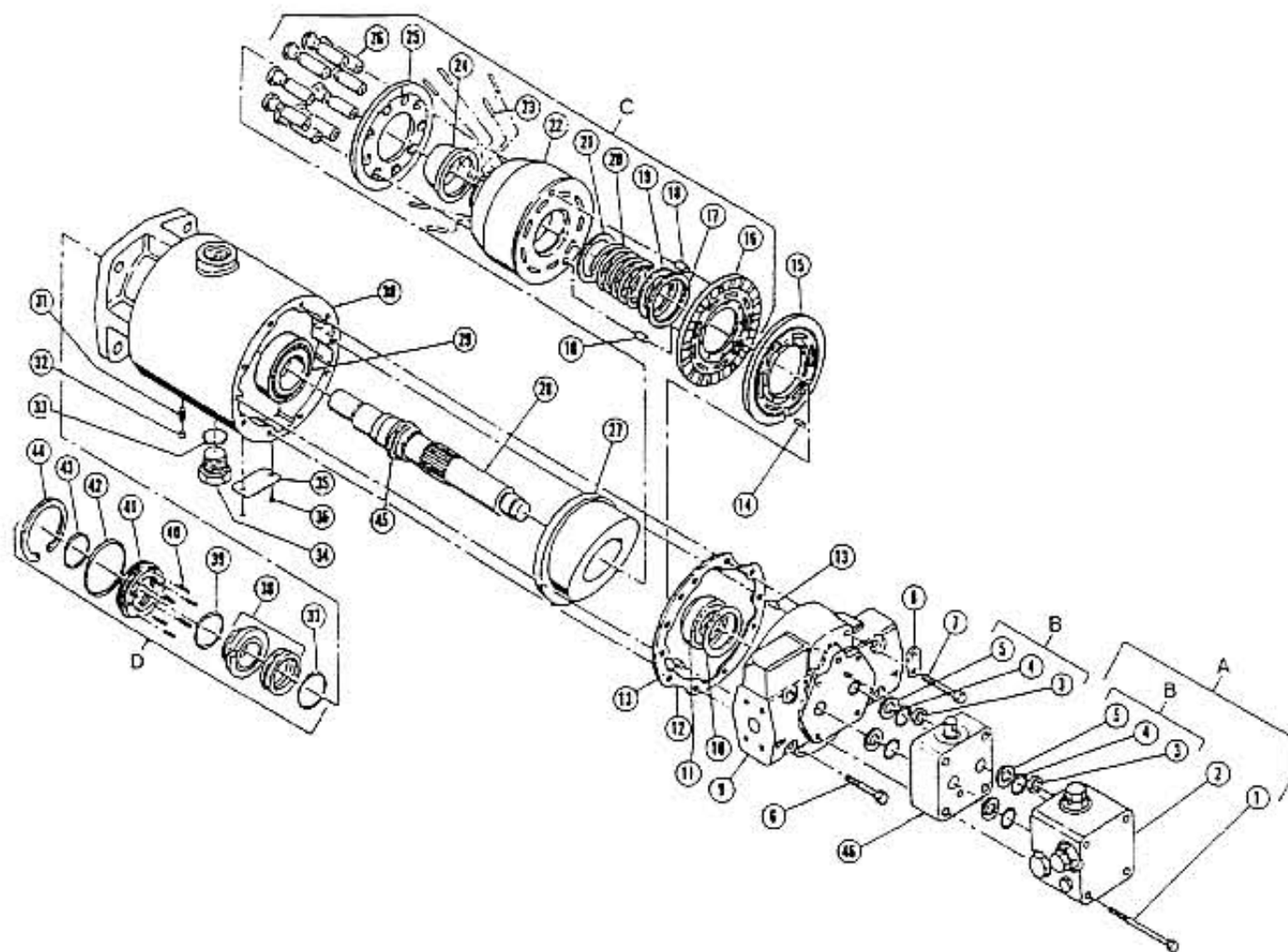


Complete Assembly
13-097

Item	Part#	Qty.	Description
1	23-063	1	Adjusting Screw
2	23-064	1	O - Ring
3	23-065	1	Control Spool
4	13-098	2	Bolt 5/16" - 18 x 3/4"
5	13-099	2	Bolt 5/16" - 18 x 1"
6	23-066	1	Gasket
7	23-067	1	Set Screw
8	23-068	1	Orifice - Control Valve
9	23-069	1	Control Housing
10	23-070	1	Control Shaft
11	23-071	1	"O" - Ring
12	23-072	1	Seal - Exclusion
13	23-073	1	Control Lever
14	23-074	1	Lockwasher
15	23-075	1	Hex Nut
16	23-076	2	Plug
17	23-078	1	Set Screw
18	23-079	1	Pin
19	23-080	1	Control connector
20	23-081	1	Link
21	23-082	2	Retaining Ring - External
22	23-083	1	Control Link
23	23-084	1	Seal Washer
24	23-077	2	O - Ring

Item	Part#	Qty.	Description
------	-------	------	-------------

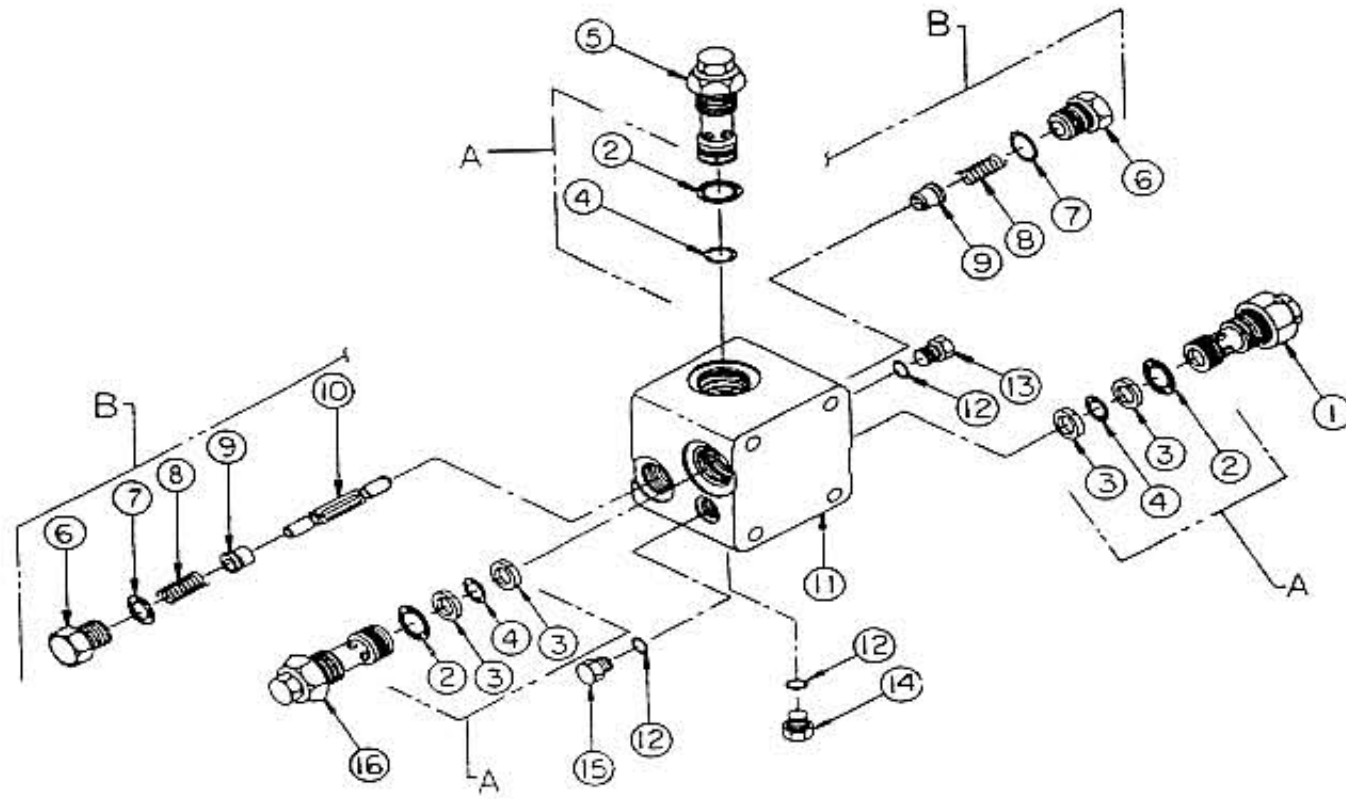
DRIVE MOTOR ASSEMBLY



Complete Assembly
03-497

Item	Part#	Qty.	Description
A	13-197	1	Valve Block Subassembly Kit
B	13-198	1	Valve Block Sealing Kit
C	13-199	1	Rotating Group Ass'y
D	13-189	1	Drive Shaft Seal Ass'y Kit
1	13-127	4	Hex Head Bolt
2	13-201	1	Valve Block Subassembly
3	13-140	4	Square Cut Seal Ring
4	13-141	4	O - Ring
5	13-142	4	Backup Ring
6	13-143	2	Hex Head Bolt
7	13-144	2	Hex Head Bolt
8	13-145	1	Shipping Strap
9	13-146	1	Motor End Cover
10	13-147	1	End Cover Bearing Shim Kit
11	13-148	1	End Cover Bearing Kit
12	13-150	1	End Cover Gasket
13	13-053	2	Dowel (5/16" Dia x 5/8" long)
14	13-053	2	Dowel (5/16" Dia x 5/8" long)
15	13-152	1	Motor Valve Plate
16	13-153	1	Bearing Plate
17	13-202	1	Internal Retaining Ring
18	13-053	2	Dowel (5/16" Dia x 5/8" long)
19	13-155	1	Flat Spring Spacer
20	13-156	1	Cylinder Barrel Spring
21	13-157	1	Beveled Spring Spacer
22	13-158	1	Barrel - Sleeve Subassembly
23	13-159	9	Cylinder Barrel Dowel
24	13-160	1	Retainer Plate Guide
25	13-161	1	Slipper Retainer Plate
26	13-162	9	Piston - Slipper Subassembly
27	13-163	1	Fixed Swashplate
28	13-164	1	Motor Drive Shaft
29	13-114	1	Mounting Flange Bearing Kit
30	13-167	1	Fixed Housing Subassembly (includes 31, 32 and 34)
31	13-168	1	Dowel
32	13-169	1	Socket Pipe Plug
33	13-170	1	Tube Fitting O - Ring (includes item 34)
34	13-171	1	O - Ring Plug Assembly
35	13-086	1	Nameplate
36	13-087	2	Drive Screw (#2 x 3/16" long)
37	13-118	1	O - Ring
38	13-189	1	Drive Shaft Seal Kit
39	13-118	1	O - Ring
40	13-121	6	Seal Spring
41	13-122	1	Seal Retainer - Pin Subassembly
42	13-123	1	O - Ring
43	13-124	1	O - Ring
44	13-125	1	Beveled Internal Retaining Ring
45	13-195	1	Retaining Ring
46	13-025	1	By - Pass Valve
---	13-205	1	Overhaul Gasket & Seal Kit

VALVE BLOCK SUBASSEMBLY

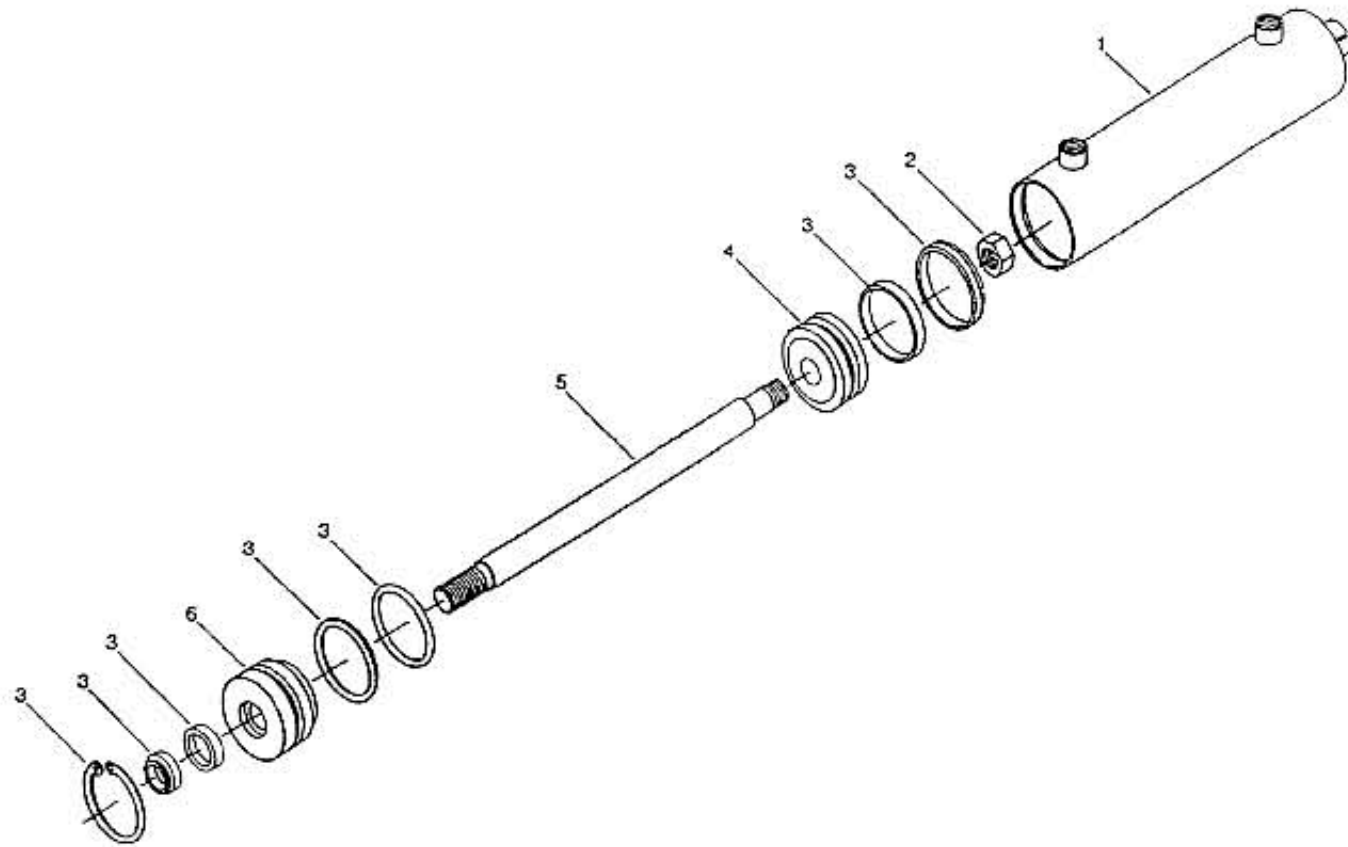


Complete Assembly
13-201

Item	Part#	Qty.	Description
1	13-222	1	Relief Valve Ass'y. - H.P.
2	13-223	3	Tube Fitting O - Ring
3	13-224	4	Back - Up Ring
4	13-225	3	O - Ring
5	13-226	1	Relief Valve Ass'y. - L.P.
6	13-227	2	Shuttle Valve Plug
7	13-228	2	Tube Fitting O - Ring
8	13-229	2	Shuttle Valve Spring
9	13-230	2	Shuttle Valve
10	13-231	1	Shuttle Spool
11	13-232	1	Valve Block
12	13-068	3	Tube Fitting O - Ring
13	13-234	1	O - Ring Plug Ass'y
14	13-234	1	O - Ring Plug Ass'y
15	13-234	1	O - Ring Plug Ass'y
16	13-222	1	Relief Valve Ass'y. - H.P.
A	13-220	3	Relief Valve Cartridge Sealing Kit
B	13-221	1	Shuttle Valve Kit

Item	Part#	Qty.	Description
------	-------	------	-------------

STEERING CYLINDER ASSEMBLY

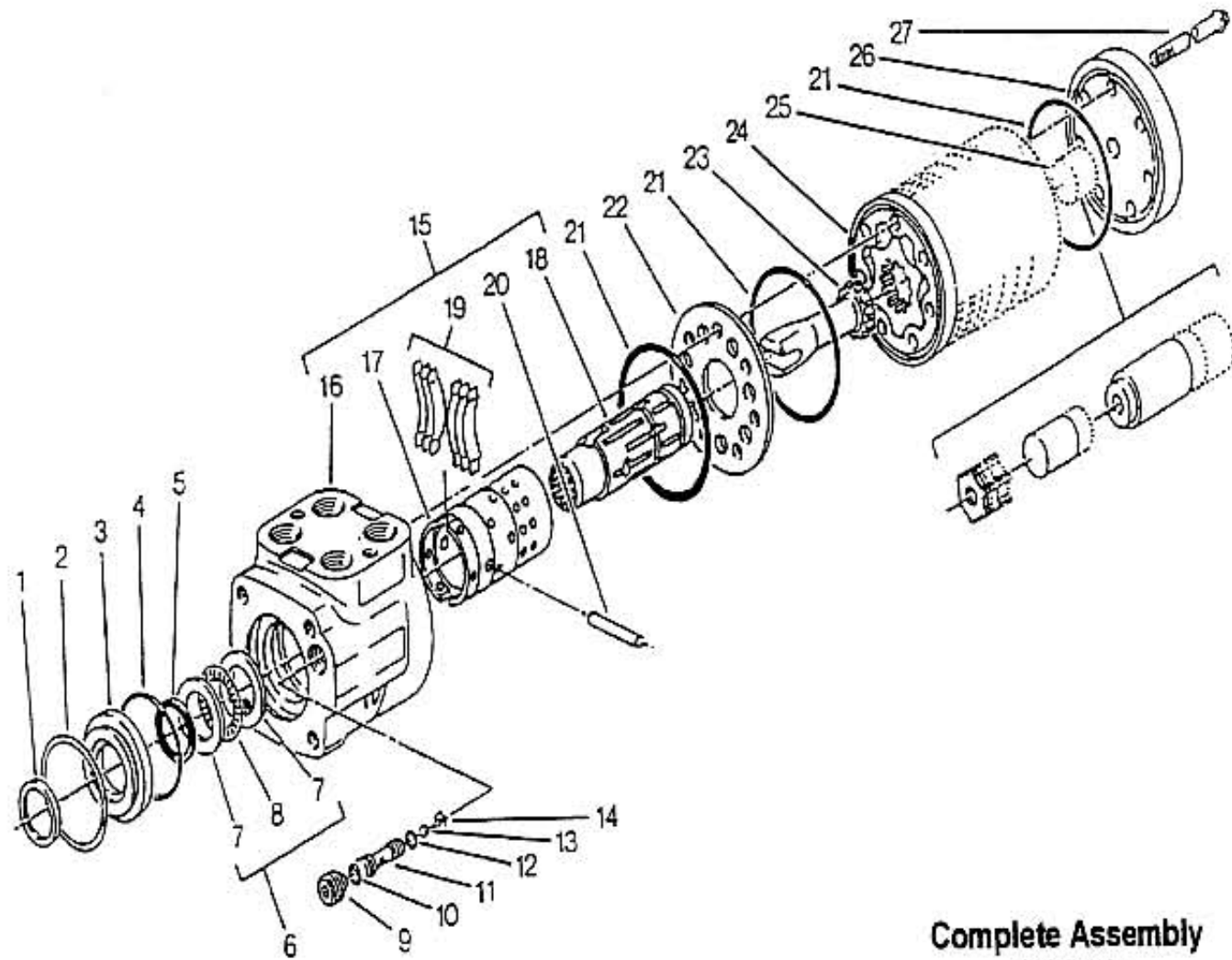


Complete Assembly
13-710

Item	Part#	Qty.	Description
1	13835C	1	Cylinder Body (2Port)
2	00082476	1	Locknut 1/2" - 20
3	23-008	1	Seal Kit
4	11169A	1	Piston
5	13715a	1	Rode
6	11170B	1	Guide

Item	Part#	Qty.	Description
------	-------	------	-------------

STEERING VALVE ASSEMBLY



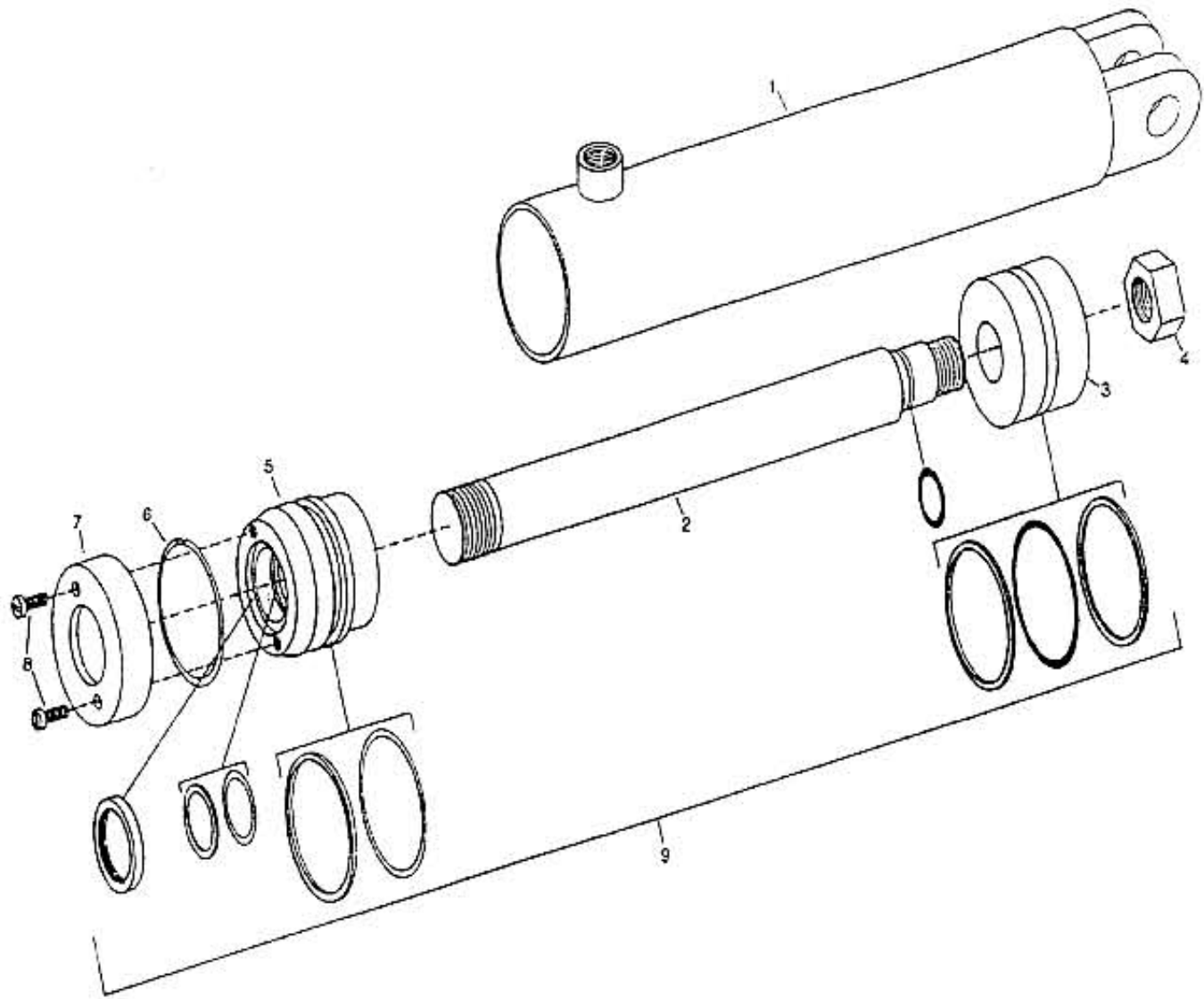
**Complete Assembly
03-378**

Item	Part#	Qty.	Description
1	03-172*	1	Seal
2	03-173	1	Retaining Ring
3	03-174	1	Seal Gland Bushing
4	03-175*	1	Seal
5	03-176*	1	Quad Ring Seal
6	03-177	1	Bearing Kit
7	03-178	2	Bearing Race
8	03-179	1	Thrust Bearing
9	03-180	1	Set Screw
10	03-181*	1	Seal
11	03-182	1	Check Ball Seat
12	03-183*	1	Seal
13	03-184	1	Check Ball
14	03-185	1	Check Ball Retainer
15	03-987	1	Control Parts Kit
16	03-988	1	Housing
17	03-989	1	Control Sleeve
18	03-990	1	Control Spool
19	03-190	6	Centering Spring
20	03-191	1	Centering Pin
21	03-192*	3	Seal (Included in #28)
22	03-991	1	Spacer Plate
23	03-194	1	Drive
24	03-992	1	Gerotor Set
25	03-196	1	Spacer
26	03-197	1	End Cap
27	03-198	7	Cap Screw
28	03-199	-	Seal Kit (Includes 1,4,5,10,12,21)

* Use Complete Seal Kit #03-199

Item	Part#	Qty.	Description
------	-------	------	-------------

LIFT CYLINDER

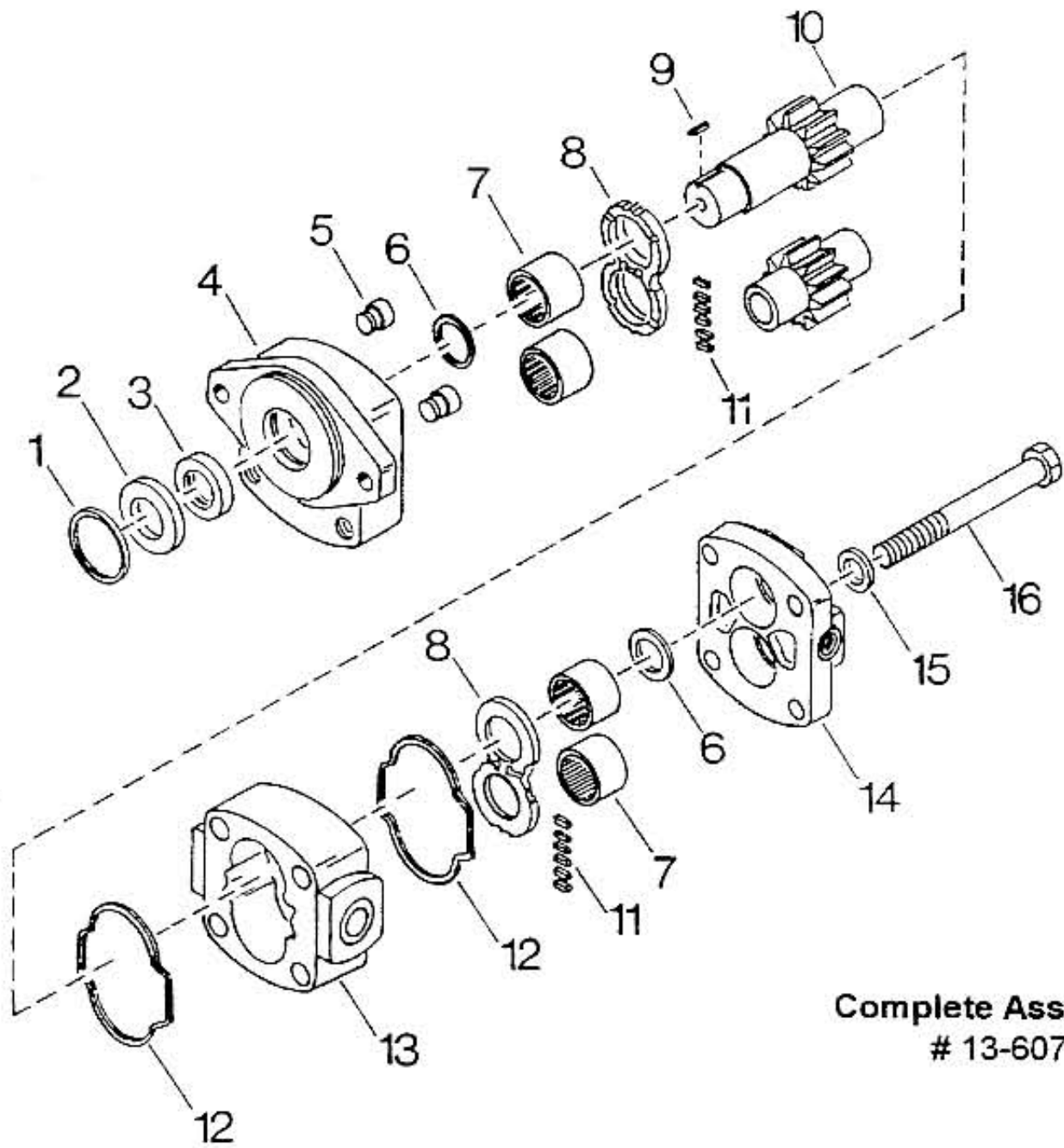


Front Cylinder Complete Assembly # 03-007A
 Left Cylinder Complete Assembly # 03-004A
 Right Cylinder Complete Assembly # 03-005A

Item	Part#	Qty.	Description
1	03-716	1	Cylinder Barrel - Front Lift
--	13-611	1	Cylinder Barrel - Right Lift
--	13-612	1	Cylinder Barrel - Left Lift
2	03-717	1	Cylinder Rod - Front Lift
--	13-613	1	Cylinder Rod - Left & Right Lift
3	03-718	1	Piston
4	03-719	1	Rod Nut
5	03-720	1	Sleeve
6	03-721	1	Lockwire
7	13-610	1	Cap
8	03-723	2	Cap Screw
9	03-724	-	Seal Kit

Item	Part#	Qty.	Description
------	-------	------	-------------

DECK MOTOR

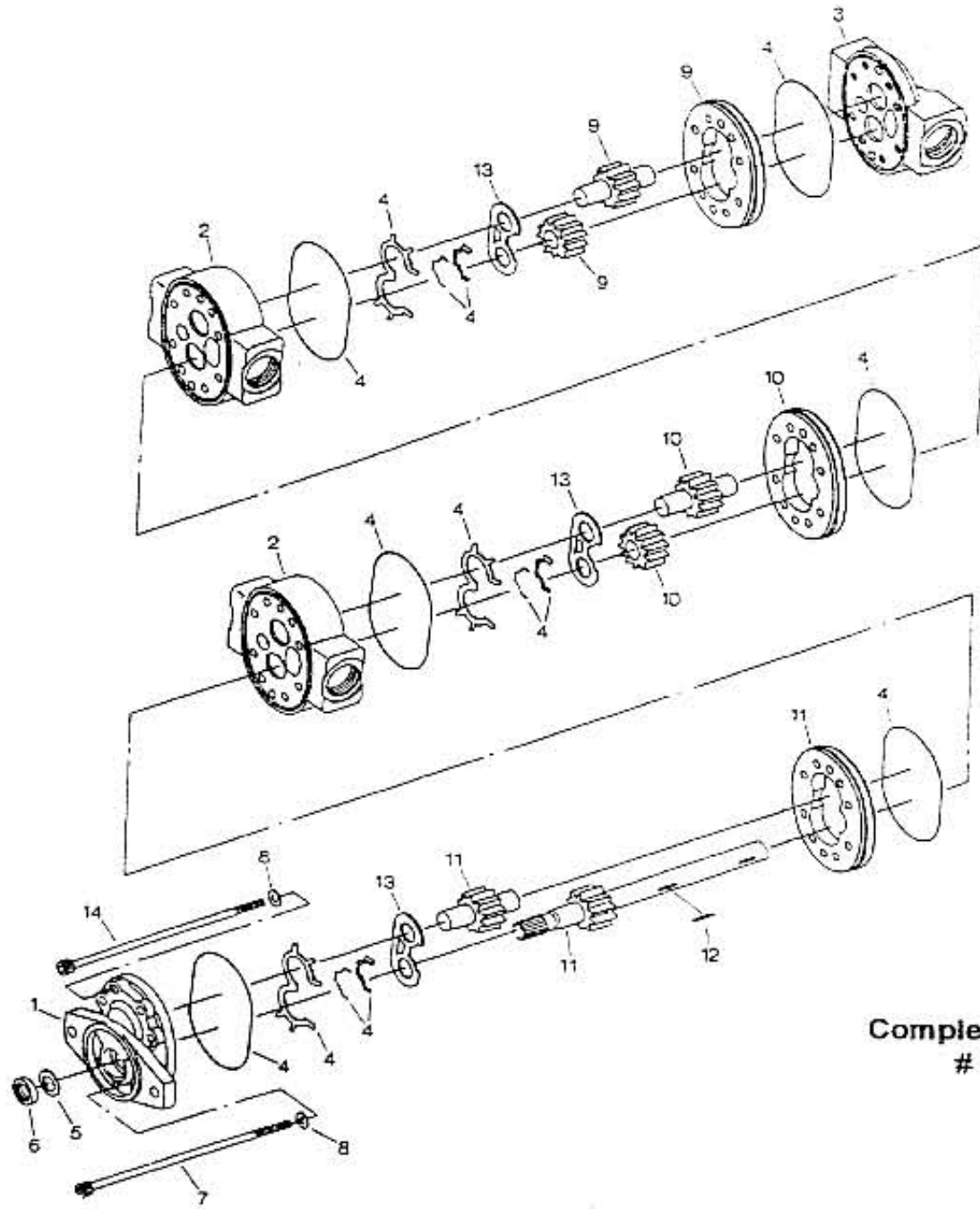


**Complete Assembly
13-607**

Item	Part#	Qty.	Description
1	13-615	1	Snap Ring
2	13-615	1	Retainer
3	13-617	1	Seal
4	13-618	1	Shaft End Cover
5	13-625	2	Check Valve
6	13-623	2	Ring Seal
7	13-621	4	Roller Bearing
8	13-522	2	Thrust Plates
9	2147	1	Key
10	13-624	1	Integral Drive Shaft & Gear Set
11	13-619	12	Pocket Seals
12	13-620	2	Gasket Seals
13	13-637	1	Gear Housing
14	13-638	1	Port End Cover
15	13-639	4	Washer
16	2145	4	Bolt
-	13-668	1	Seal Kit (Includes 3.6.11,12)

Item	Part#	Qty.	Description
------	-------	------	-------------

TRIPLEX PUMP



**Complete Assembly
13-858**

Item	Part#	Qty.	Description
1	23-144	1	Frontplate
2	23-145	2	Plate - Adaptor
3	23-146	1	Backplate
4	23-143	1	Seal Kit
5	23-147	1	Washer
6	23-148*	1	Seal - Shaft
7	23-149	4	Screw - Cap
8	23-150	8	Washer
9	23-151	1	Gear/Body Set
10	23-151	1	Gear/Body Set
11	23-152	1	Gear/Body Set
12	23-153	2	Key
13	23-154	3	Plate - Wear
14	23-155	4	Screw - Cap

* Also Available With Seal Kit #23-143

Item	Part#	Qty.	Description
------	-------	------	-------------