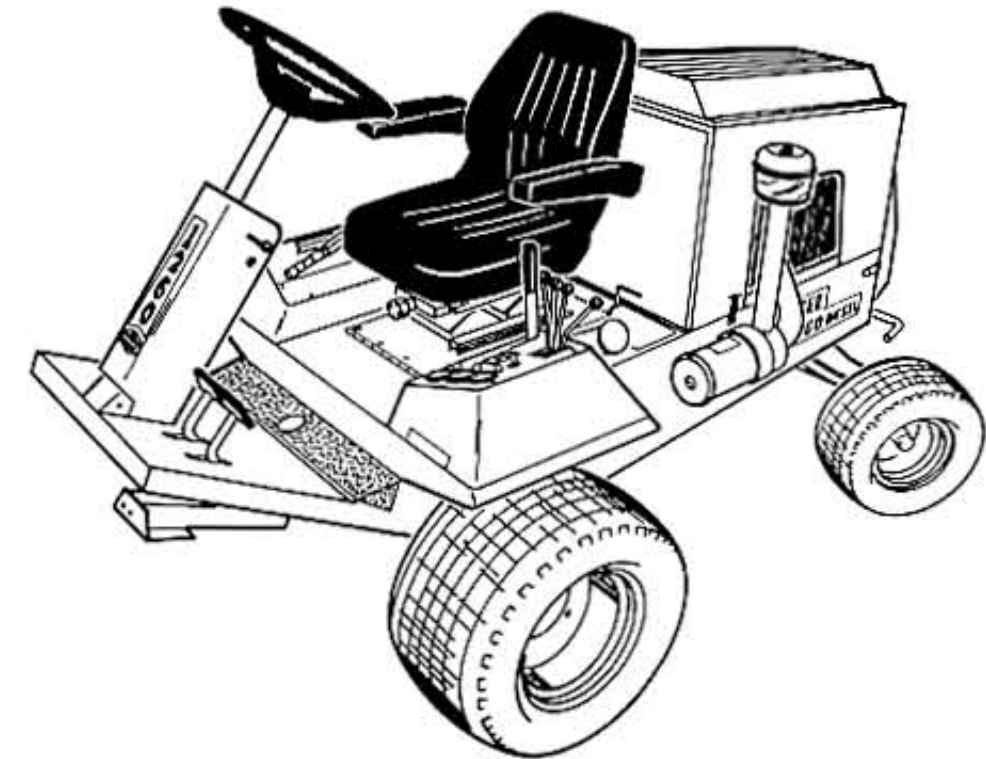




18155 Edison Avenue • Chesterfield, Missouri 63005



Parts Manual

TURF BLAZER - 40 H.P.

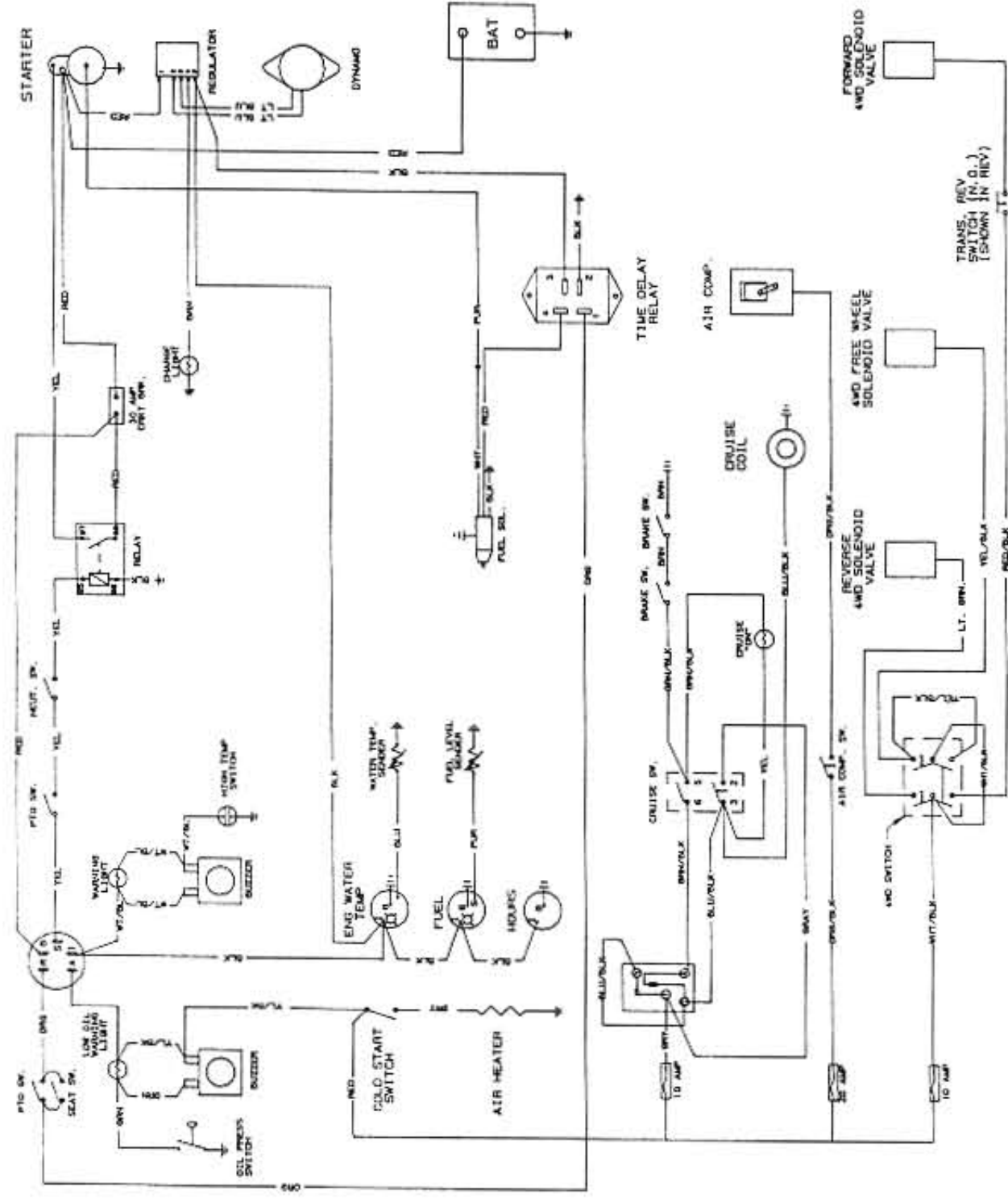
727
1260

Traction Unit Models:
Y40H-6 Y40H Y40H-91

INDEX

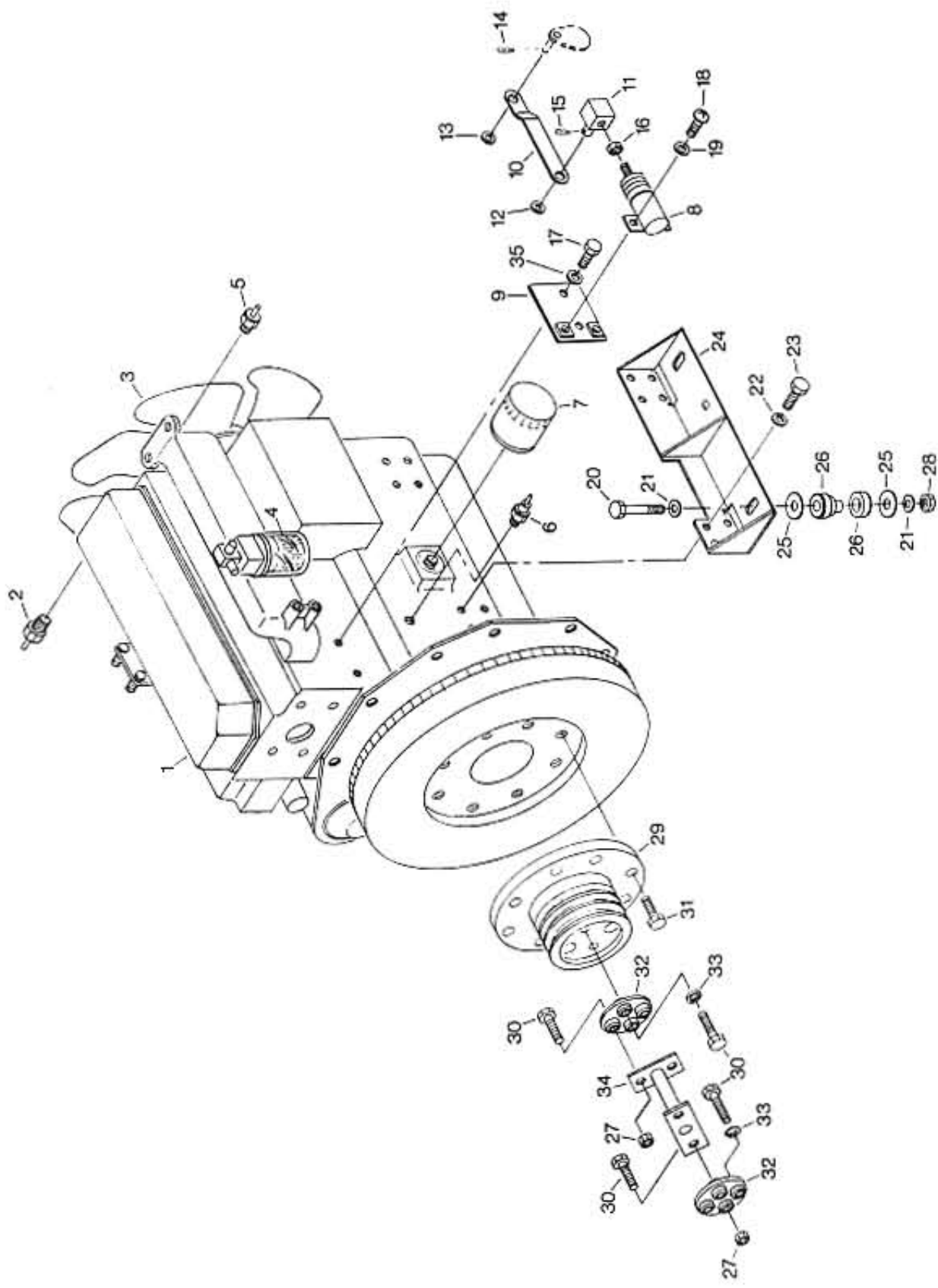
40 H.P. ELECTRICAL SCHEMATIC	1
ENGINE COMPONENTS	2
ENGINE AIR CLEANER	4
ENGINE EXHAUST	6
ENGINE SPEED CONTROL	8
RADIATOR ASSEMBLY	10
OIL COOLING SYSTEM - 1260	12
OIL COOLING SYSTEM - 727	14
ELECTRICAL - FRAME	16
ELECTRICAL - INSTRUMENT PANEL HOUSING	18
ELECTRICAL - INSTRUMENT PANEL	20
FUEL SYSTEM	22
HYDRAULIC SYSTEM - DECK LIFT	24
HYDRAULIC SYSTEM - STEERING	26
TILT STEERING	28
LINKAGE - BRAKE/EMERGENCY BRAKE	30
LINKAGE - CRUISE CONTROL	32
LINKAGE - TRACTION CONTROL	34
PTO SYSTEM	36
FRONT DECK LIFT ARM	38
FRONT TRACTION DRIVE	40
REAR AXLE - 2WD	42
REAR TRACTION DRIVE - 4WD	44
4WD - ELECTRICAL & HYDRAULIC	46
4WD - VALVE MANIFOLD ASSEMBLY	48
ENGINE HOOD & AIR INTAKE ASSEMBLY	50
ACCESS COVERS & FRAME BRACE	52
SEAT COMPONENTS	54
AIR SEAT FRAME & LINKAGES	56
AIR SEAT SUSPENSION & COMPONENTS	58
TRANSMISSION ASSEMBLY	60
TRANSAXLE ASSEMBLY	62
FRONT LIFT CYLINDER ASSEMBLY	64
FRONT LIFT CYLINDER ASSEMBLY (Cont.)	65

40 H.P. ELECTRICAL SCHEMATIC



ENGINE COMPONENTS

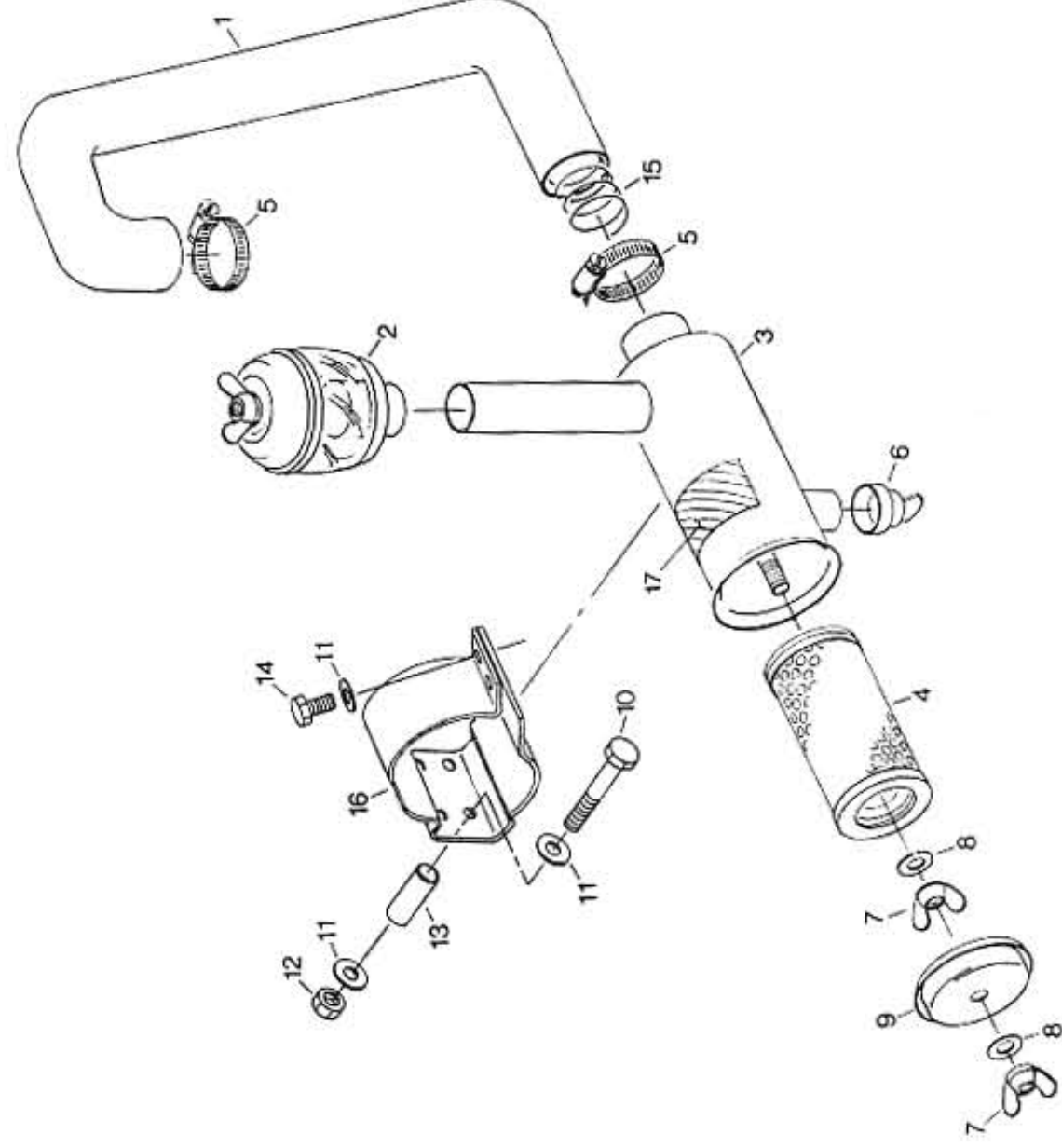
00-489 12/95 2



Item	Part #	No. Req'd.	Description
1	05-232	1	Basic Engine - 40 H.P.
2	121250-	1	High Temp Switch
3	44901	1	Fan Blade
4	121267-	1	Fuel Filter Element
5	44741	1	Temperature Sender
6	129100-	1	Oil Pressure Switch
7	55650	1	Oil Filter Element
8	02-253	1	Fuel Shut-Off Solenoid
9	12152-	1	Solenoid Mount Bracket
10	39450	1	Solenoid Stop Linkage
11	05-364	1	Pivot - Solenoid Adjust Nut
12	02-398	1	Flatwasher 6 mm
13	05-254	1	Flatwasher 8 mm
14	129428-	1	Hair Pin Clip

Item	Part #	No. Req'd.	Description
15	22360-	1	Hair Pin Clip
16	060000	1	Hex Nut 1/4" - 28
17	1856	2	Bolt 8mm - 1.25 x 12mm
18	1987	2	Phillips Rd. Hd. 1/4" - 20 x 1/2"
19	1896	2	Lockwasher 1/4"
20	1200	4	Bolt 1/2" - 13 x 3 1/2"
21	1618	8	Flatwasher - 1/2"
22	1223	16	Lockwasher - 10mm
23	1990	16	Bolt 10mm x 1.5 x 25mm
24	05-642	1	Engine Mount Left
—	05-643	1	Engine Mount Right
25	2023	8	Snub Washer - Engine Mount
26	04-287	4	Engine Mount
27	1115	4	Locknut 5/16" - 24
28	1747	4	Locknut 1/2" - 13
29	04-274	1	PTO Pulley
30	1972	8	Bolt 5/16" - 24 x 1 3/4"
31	1859	8	Bolt 8mm x 1.25 x 30mm
32	5005C	2	Coupling
33	1201	4	Lockwasher 5/16"
34	05-434	1	Trans. Coupling Shaft (3.12")
35	2133	2	Lockwasher 8mm

00-489 12/95 3



Item	Part #	No. Req'd.	Description
------	--------	------------	-------------

1	05-313	1	Air Intake Hose
2	05-236	1	Pre-Cleaner Assy.
-	05-380	1	Pre-Cleaner Bowl
3	05-302*	1	Air Filter Housing
4	129150-		
	12510*	1	Air Filter Element
5	04-038	2	Hose Clamp - 2 1/4"
6	129150-		
	12520	1	Unloader Valve
7	129150-		
	12550*	2	Wing Nut
8	129150-		
	12560*	2	Seal Washer

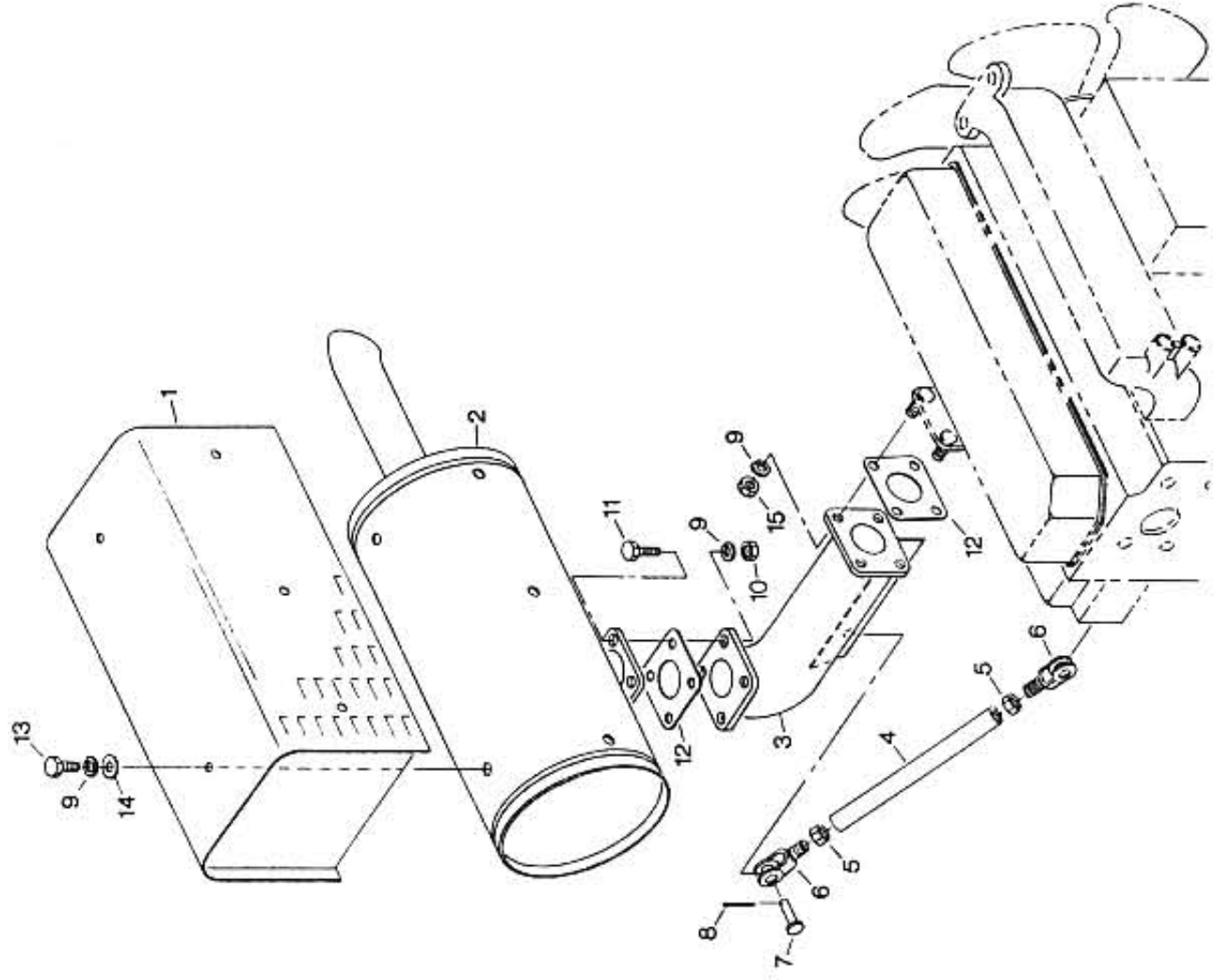
Item	Part #	No. Req'd.	Description
------	--------	------------	-------------

9	129150-		
	12530*	1	Cover
10	1026	3	Bolt 5/16" - 18 x 2 1/4"
11	1221	8	Flatwasher 5/16"
12	1111	3	Locknut 5/16" - 18
13	05-343	3	Air Cleaner Mount Spacer
14	1859	2	Bolt 8mm - 1.25 x 30mm
15	05-244	1	Spring - Air Hose
16	129403-		
	12560	1	Air Cleaner Mount Bracket
17	00-037	1	Decal "Ether"

* Can Be Purchased In Complete Assy. # 05-435

ENGINE EXHAUST

00-489 12/95 **6**



Item	Part #	No. Req'd.	Description
1	05-300	1	Muffler Guard
2	05-262	1	Muffler
3	05-468	1	Muffler Pipe Elbow
4	05-611*	1	Brace - Muffler Pipe
5	1103*	1	Hex Nut 3/8" - 16 (R.H. Thread)
-	2151*	1	Hex Nut 3/8" - 24 (L.H. Thread)
6	05-470*	1	Yoke End (R.H. Thread)
-	05-471*	1	Yoke End (L.H. Thread)
7	1791	2	Clevis Pin 3/8 x 1"

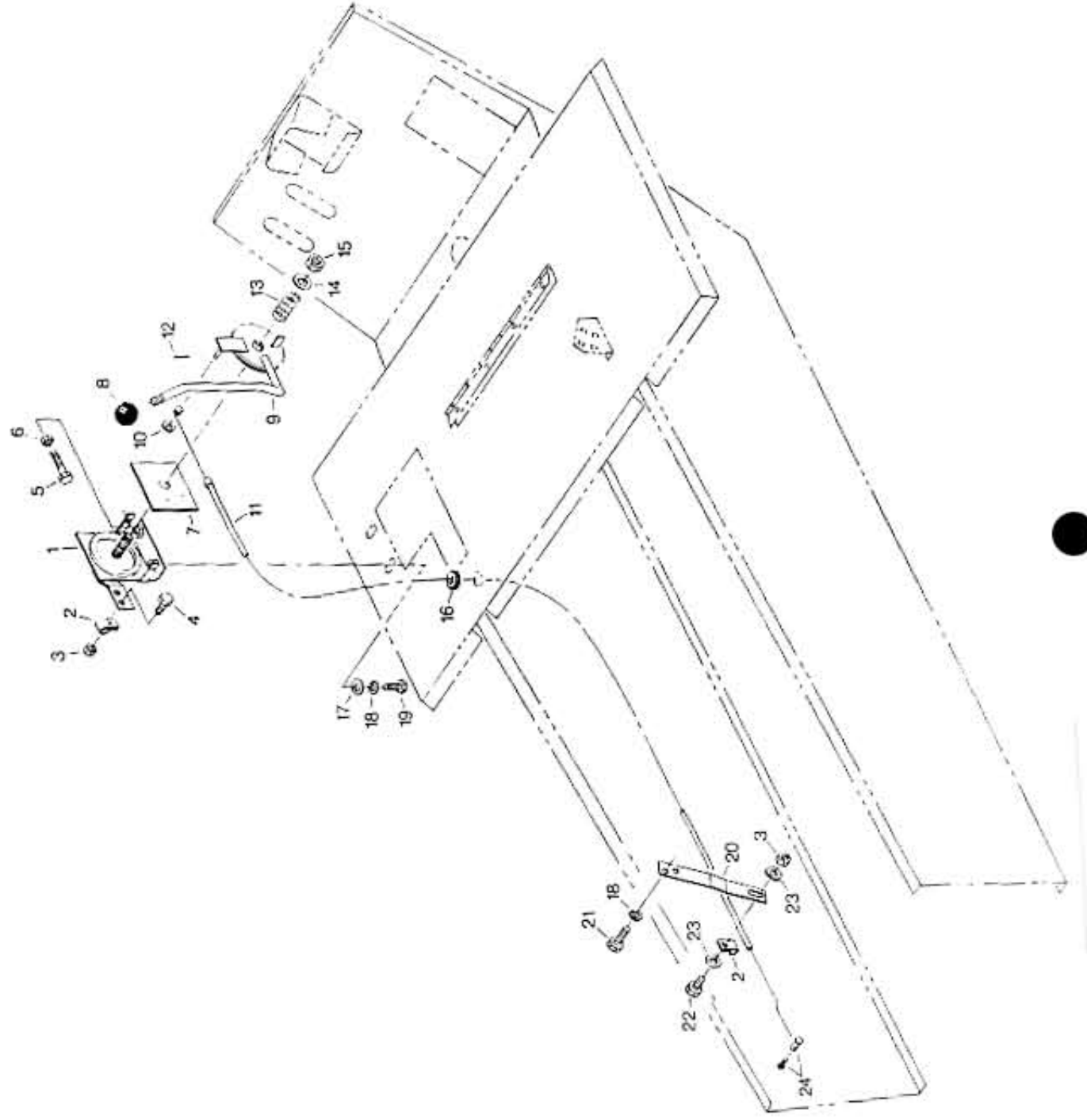
Item	Part #	No. Req'd.	Description
8	1600	2	Cotter Pin 3/32" x 1"
9	1201	16	Lockwasher 5/16"
10	1102	4	Hexnut 5/16" - 18
11	1213	4	Bolt 5/16" - 18 x 1"
12	129400-13201	2	Muffler Gasket
13	1987	8	Bolt 8mm - 1.25 x 12mm
14	1221	8	Flatwasher 5/16"
15	1988	4	Hexnut 8mm x 1.25

* Also Included In Complete Assy. # 05-610

00-489 12/95 **7**

ENGINE SPEED CONTROL

00-489 12/95

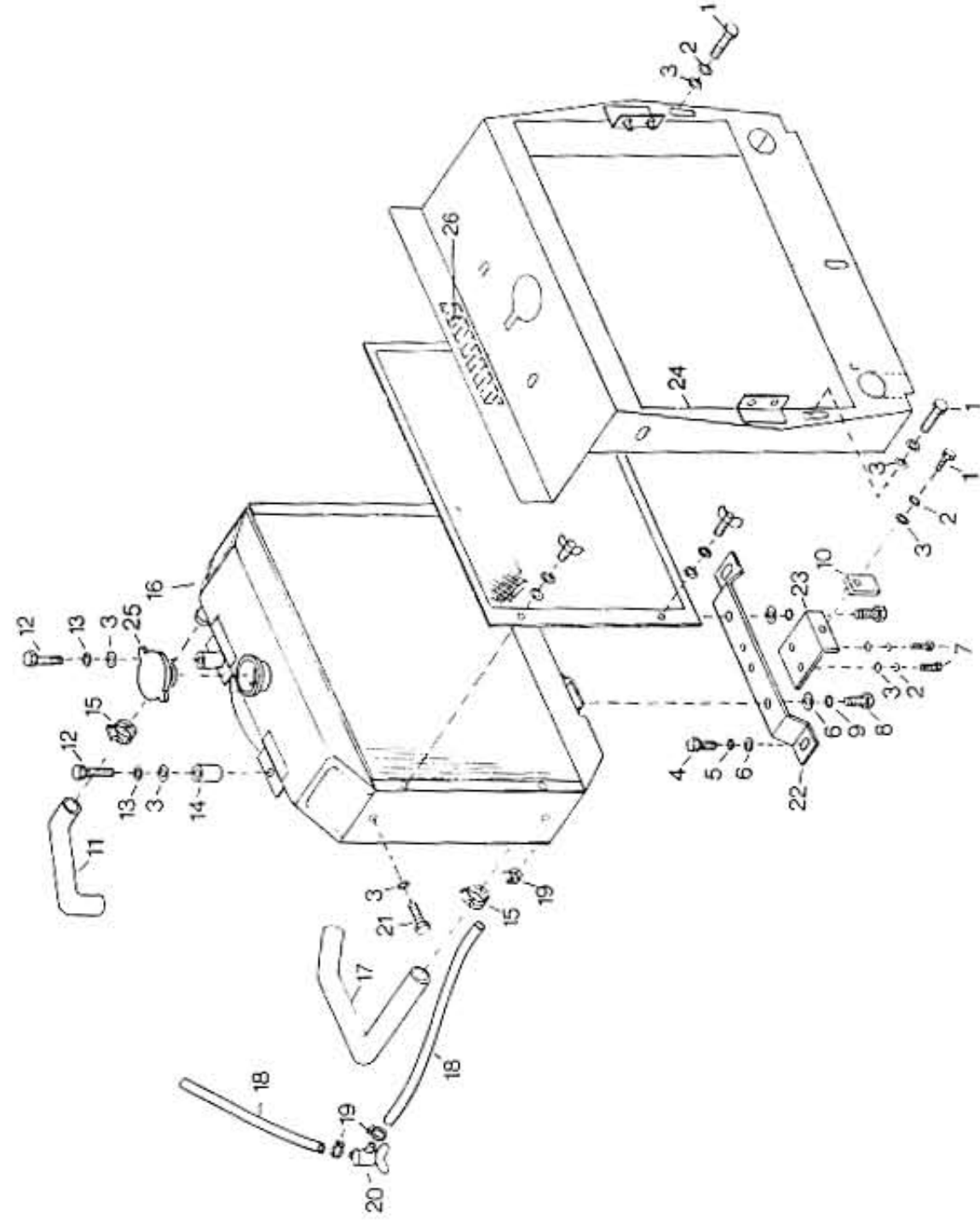


Item	Part #	No. Req'd.	Description
1	05-282	1	Speed Control Bracket Assy.
2	05-279	3	Cable Clamp
3	1110	3	Locknut 1/4" - 20
4	1016	2	Bolt 1/4" - 20 x 1/2"
5	1004	2	Bolt 1/4" - 20 x 1 1/4"
6	1101	2	Nut 1/4" - 20
7	05-377	1	Speed Control Friction Pad
8	04-290	1	Knob
9	05-280	1	Speed Control Lever Assy.
10	1409	1	Flatwasher 3/16"
11	05-278	1	Speed Control Cable
12	1601	1	Cotter Pin 1/16" x 1/2"

Item	Part #	No. Req'd.	Description
13	5034	1	Speed Control Spring
14	1769	1	Flatwasher 3/8" SAE
15	1112	1	Locknut 3/8" - 16
16	2018	1	Rubber Grommet 5/16" I.D. x 1" O.D.
17	1221	2	Flatwasher 5/16"
18	1201	4	Lockwasher 5/16"
19	1020	2	Bolt 5/16" - 18 x 3/4"
20	05-367	1	Throttle Cable Mount Bracket
21	1307	2	Bolt 8mm - 1.25 x 16mm
22	1000	1	Bolt 1/4" - 20 x 3/4"
23	1220	2	Flatwasher 1/4"
24	08-120	1	Cable Stop

RADIATOR ASSEMBLY

00-489 12/95 10



Item Part # No. Req'd. Description

1	1003	3	Bolt - 1/4" - 20 x 1"
2	1200	5	Lockwasher - 1/4"
3	1220	9	Flatwasher - 1/4"
4	1030	2	Bolt - 3/8" - 16 x 3/4"
5	1202	2	Lockwasher - 3/8"
6	1222	4	Flatwasher - 3/8"
7	1000	2	Bolt - 1/4" - 20 x 3/4"
8	1838	2	Bolt - 10mm 1.5 x 20mm
9	1996	2	Lockwasher - 10mm
10	1732	1	"U" Nut 1/4" - 20
11	129550-49010	1	Radiator Hose - Top
12	1989	2	Bolt - 8 mm - 1.25 x 40mm
13	1201	2	Lockwasher - 5/16"
14	05-343	2	Radiator Frame Mnt. Spacer

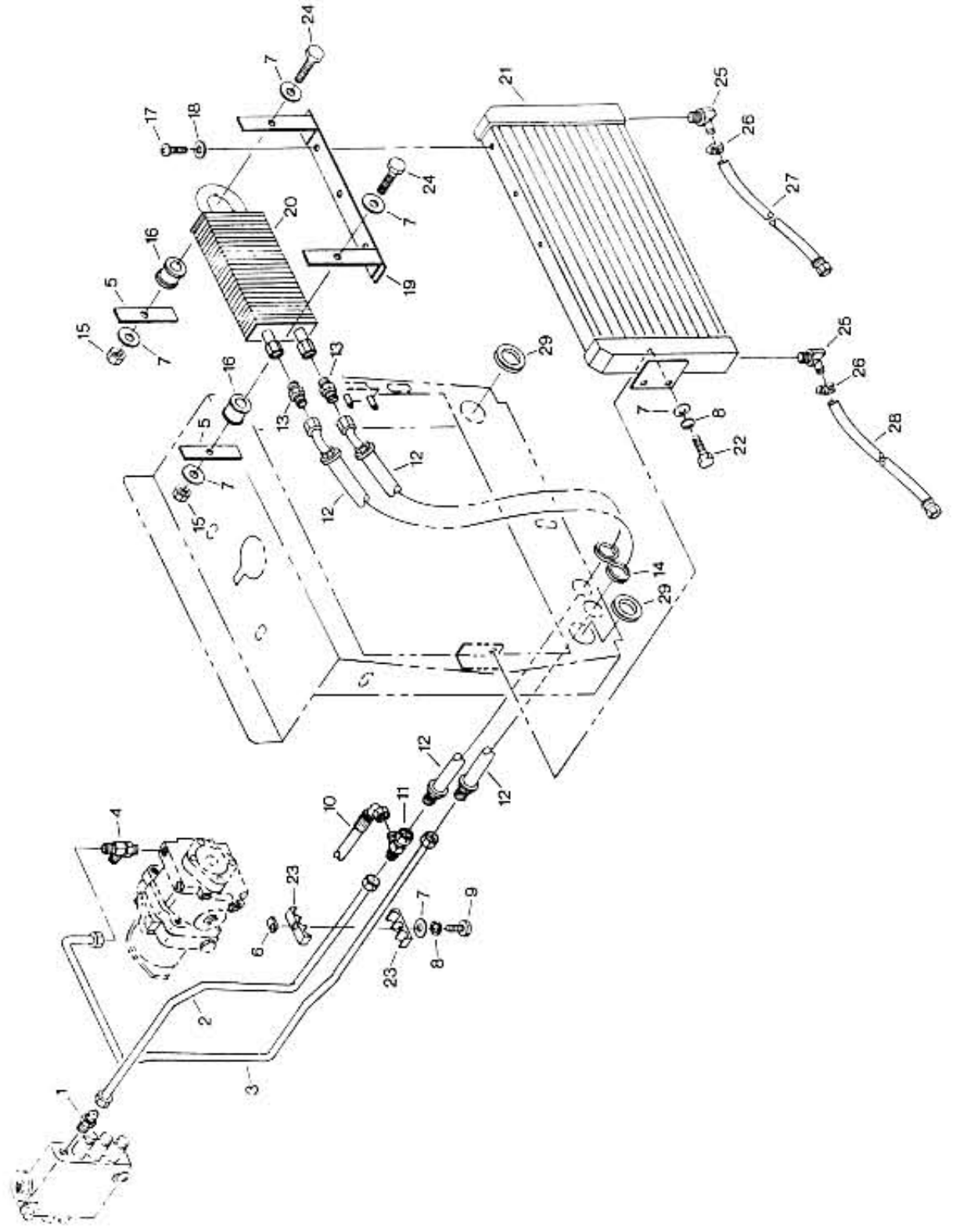
Item Part # No. Req'd. Description

15	05-120	4	Hose Clamp - 1 1/2"
16	129555-44500	1	Radiator (Includes Screen)
17	129550-49020	1	Radiator Hose - Bottom
18	13-090	*	Hose - 5/16" I.D.
19	04-082	4	Hose Clamp - 1/2"
20	05-240	1	3 - Way Drain Valve
21	1987	2	Bolt - 8mm - 1.25 x 12mm
22	05-260	1	Radiator Mnt. Bracket
23	05-261	1	Radiator Frame Mnt. Bracket
24	05-245	1	Radiator Frame Welded Assy.
25	123682-44210	1	Radiator Cap
26	00-036	1	Decal "Rotating Blades"

* Specify Length

OIL COOLING SYSTEM - 1260

00-489 12/95 12



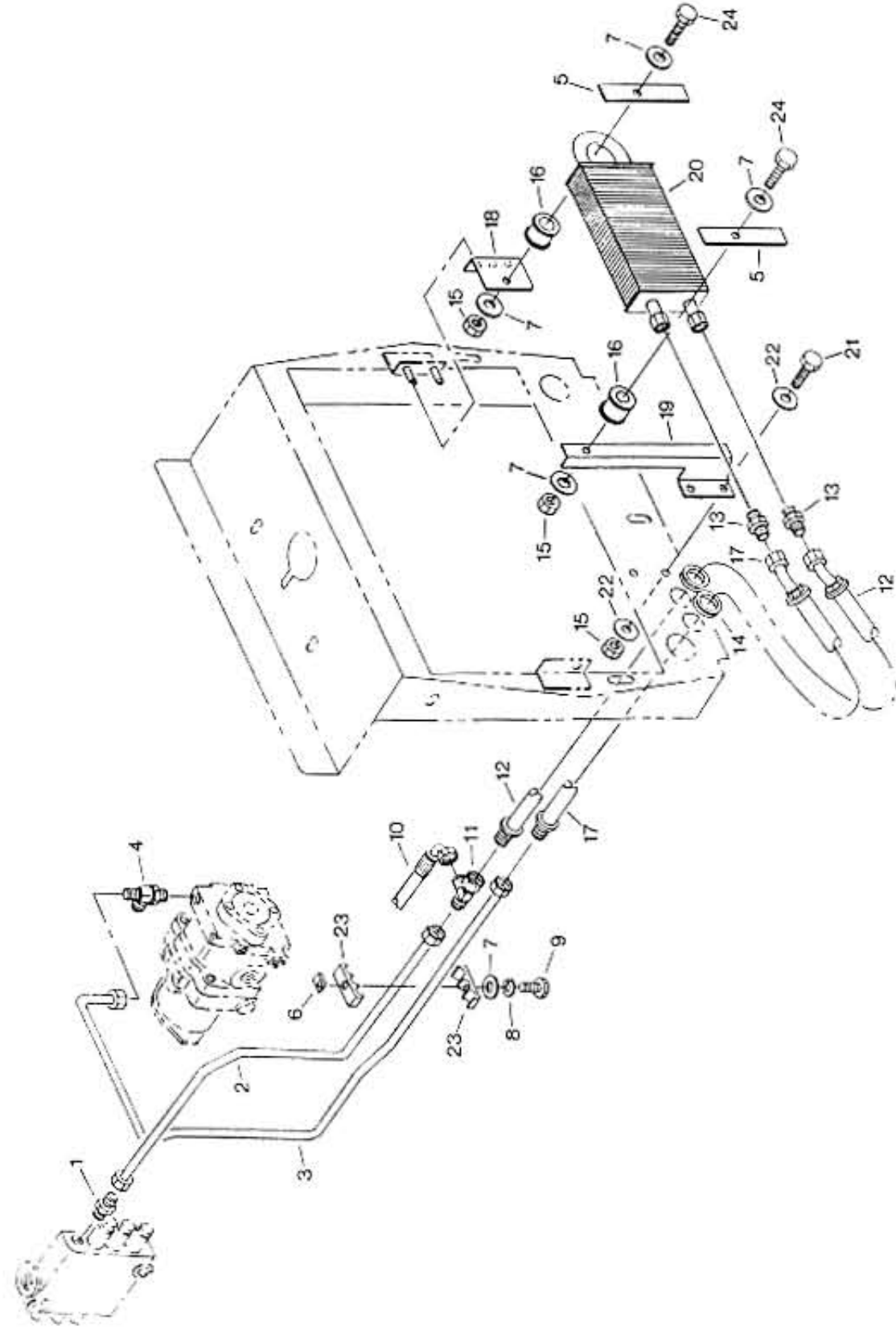
FORWARD

Item Part # No. Req'd. Description

1	03-076	1	Fitting - Straight
2	13-783	1	Tube - Oil Cooler
3	13-785	1	Tube - Oil Cooler
4	13-838	1	Fitting
5	05-087	2	Clamp Plate - Oil Cooler
6	1732	1	"U" Nut 1/4" - 20
7	1220	6	Flatwasher 1/4"
8	1200	2	Lockwasher 1/4"
9	1005	1	Bolt 1/4" - 20 x 1 1/2" (Non 4WD)
-	1007	1	Bolt 1/4" - 20 x 2" (4 WD)
10	13-904	1	Hose Assembly
11	13-477	1	Fitting - Tee
12	13-853	2	Hose - Oil Cooler
-	13-817	2	Fitting - 45°
-	13-845	2	Fitting - Straight
13	13-440	2	Fitting - Straight

Item Part # No. Req'd. Description

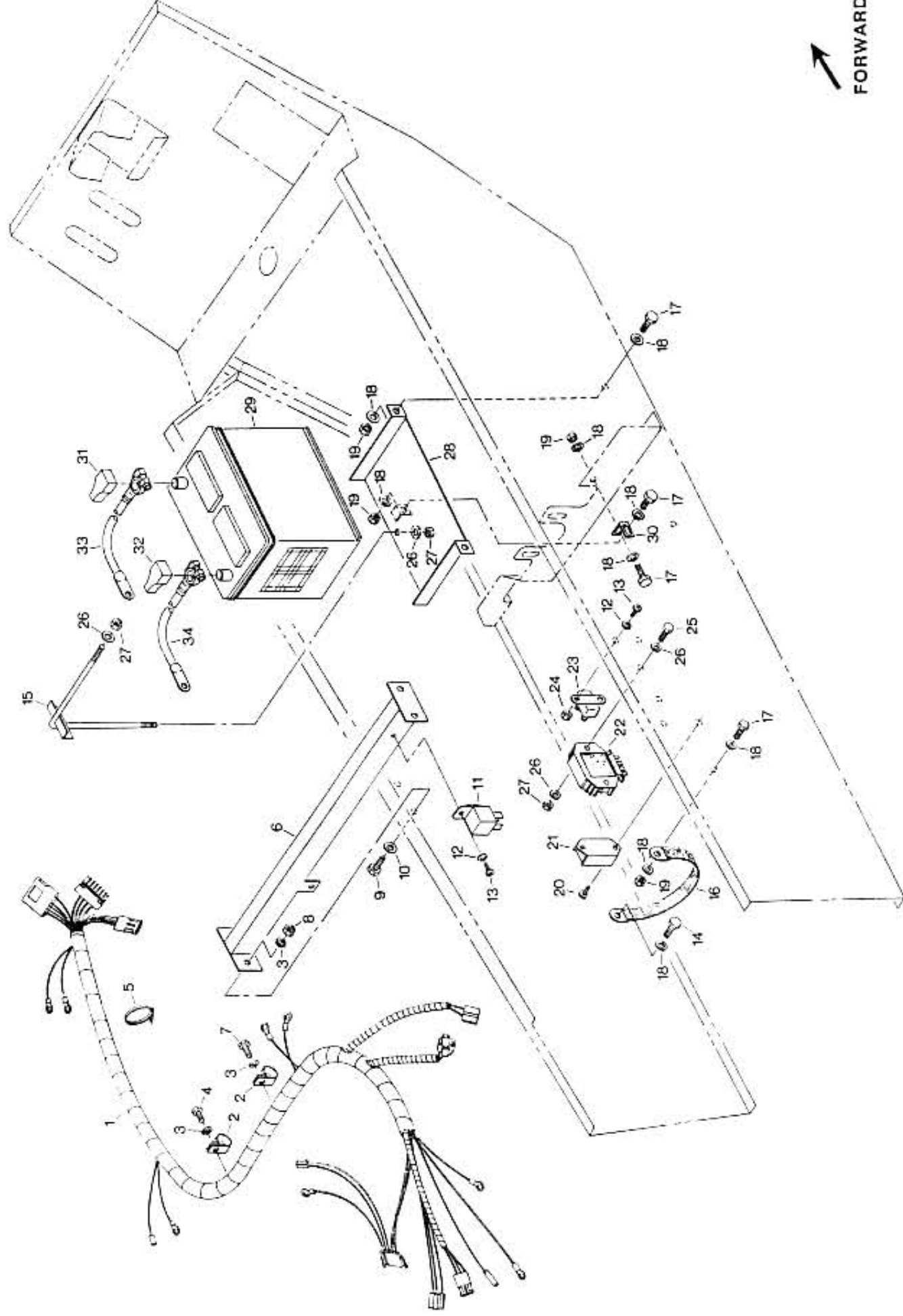
14	2033	2	Rubber Grommet
15	1110	2	Locknut 1/4" - 20
16	05-013	2	Grommet - Oil Cooler
17	1946	3	Sheet Metal Screw # 12 x 1/2"
18	1887	3	Flatwasher # 10
19	15-071	1	Bracket - Oil Cooler
20	03-810	1	Oil Cooler
21	13-364	1	Oil Cooler
22	1000	1	Bolt 1/4" - 20 x 3/4"
23	08-458	2	Clamp - Tube
24	1005	2	Bolt 1/4" - 20 x 1 1/2"
25	13-241	2	Fitting - 45°
26	6023	2	Hose Clamp - 1"
27	13-341	1	Hose - Cooler To Manifold
28	13-342	1	Hose - Cooler To Bulkhead
29	04-186	2	Rubber Grommet



FORWARD

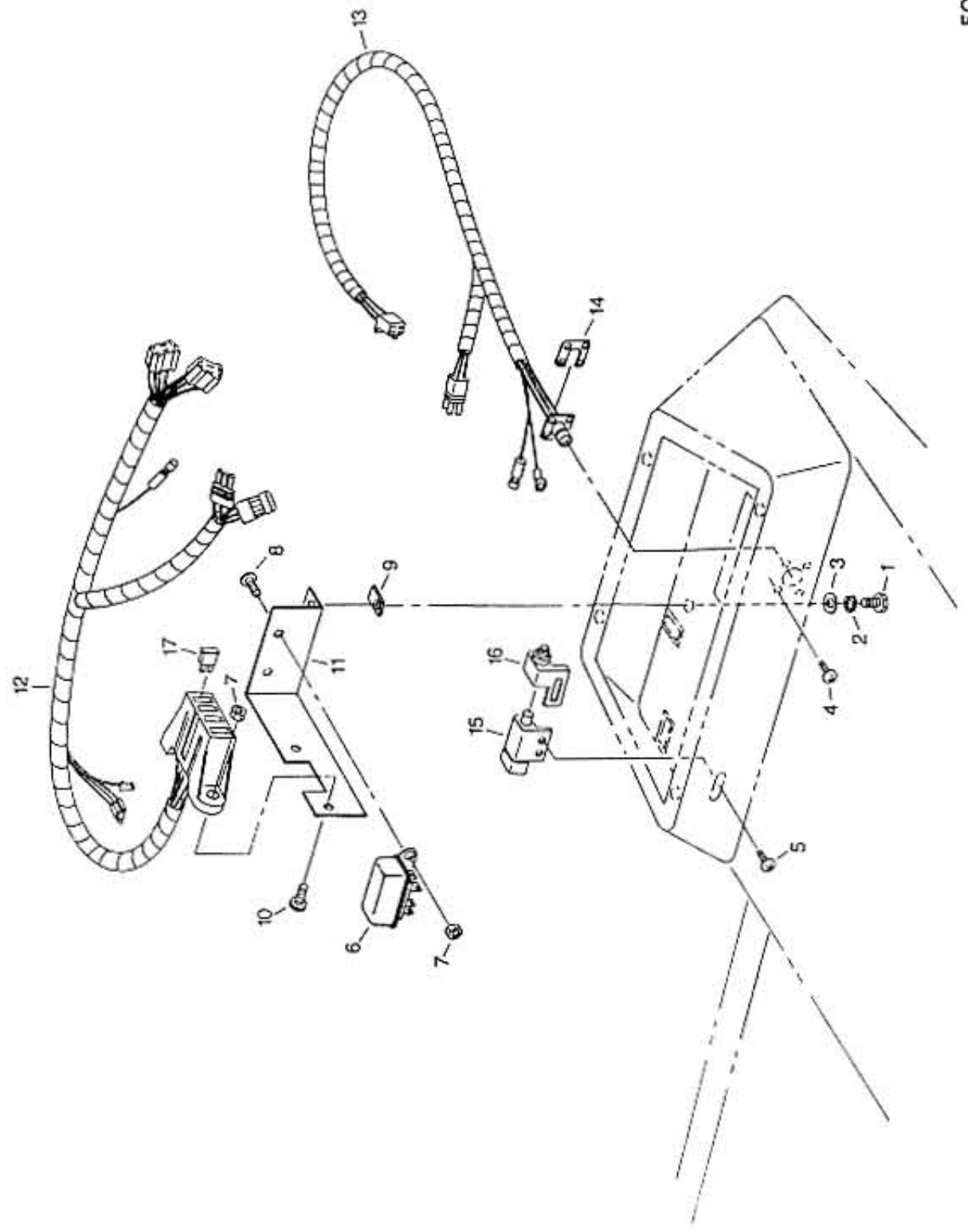
Item	Part #	No. Req'd.	Description
1	03-076	1	Fitting - Straight
2	13-783	1	Tube - Oil Cooler
3	13-785	1	Tube - Oil Cooler
4	13-838	1	Fitting
5	05-087	2	Clamp Plate - Oil Cooler
6	1732	1	"U" Nut 1/4" - 20
7	1220	5	Flatwasher 1/4"
8	1200	1	Lockwasher 1/4"
9	1005	1	Bolt 1/4" - 20 x 1 1/2" (Non 4WD)
-	1007	1	Bolt 1/4" - 20 x 2" (4WD)
10	13-904	1	Hose Assy.
11	13-477	1	Fitting - Tee
12	13-870	1	Hose - Oil Cooler To Valve
-	13-817	1	Fitting - 45°
-	13-845	1	Fitting - Straight

Item	Part #	No. Req'd.	Description
13	13-440	2	Fitting - Straight
14	2033	2	Rubber Grommet
15	1110	4	Locknut 1/4" - 20
16	05-013	2	Grommet - Oil Cooler
17	13-871	1	Hose - Oil Cooler To Trans.
-	13-817	1	Fitting 45°
-	13-845	1	Fitting - Straight
18	05-342	1	Bracket - Oil Cooler Mount
19	05-806	1	Bracket - Oil Cooler
20	03-810	1	Oil Cooler
21	1016	2	Bolt 1/4" - 20 x 1 1/2"
22	1056	4	Flatwasher 1/4" SAE
23	08-458	2	Clamp - Tube
24	1005	2	Bolt 1/4" - 20 x 1 1/2"



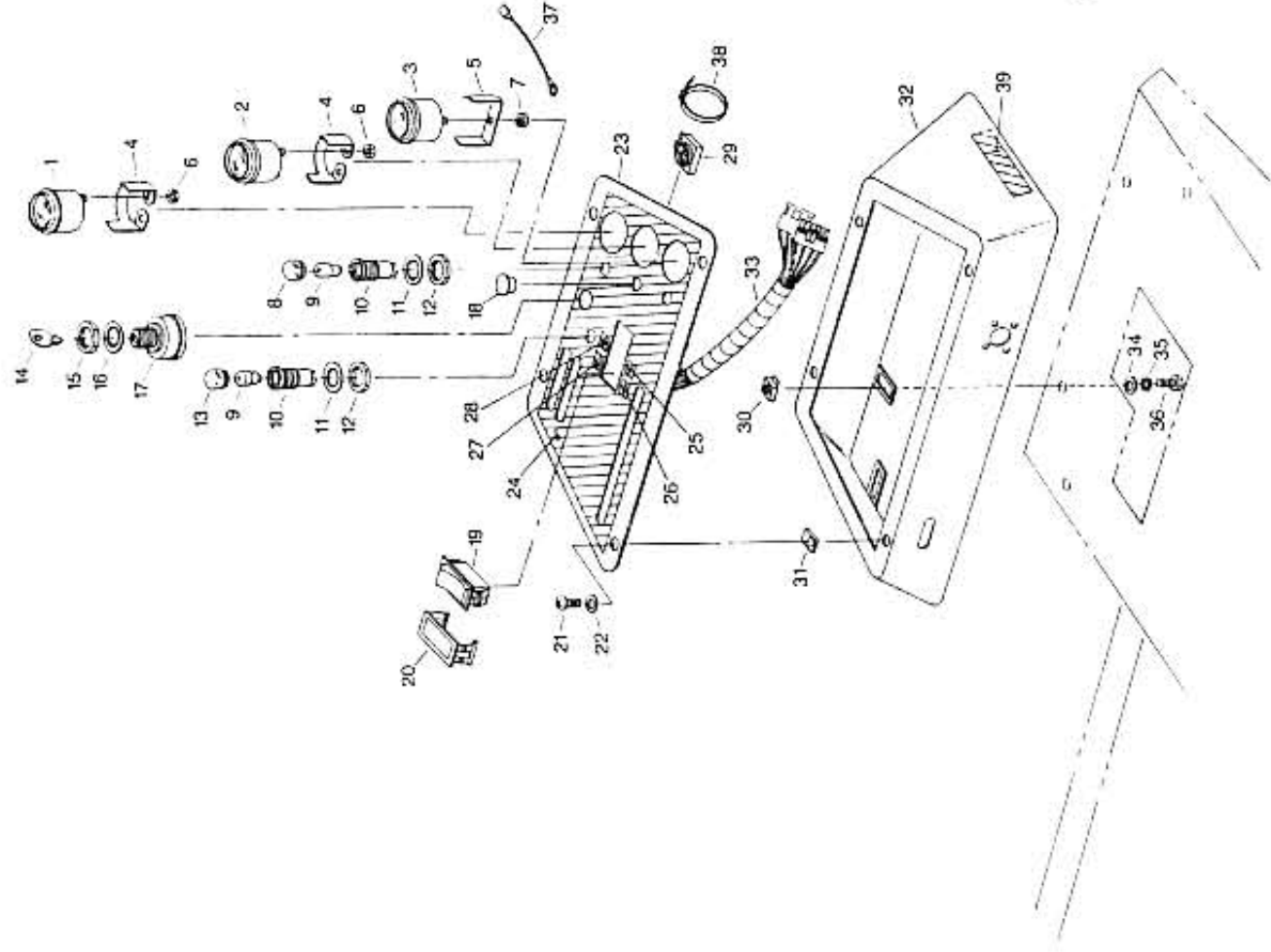
Item	Part #	No. Req'd.	Description
1	02-365	1	Wire Harness - Chassis
2	05-097	2	Clamp - Wire Harness
3	1201	6	Lockwasher 5/16"
4	1307	1	Bolt 8mm - 1.25 x 16mm
5	07-596	As Needed	Tyrap - Wire Harness
6	05-062	1	Brace - Frame
7	2034	1	Bolt 8mm - 1.25 x 20mm
8	1102	4	Hexnut 5/16" - 18
9	1213	4	Bolt 5/16" - 18 x 1"
10	1221	4	Flatwasher 5/16"
11	02-289	1	Power Relay
12	1887	3	Flatwasher #10
13	1738	3	Phillips Rd. Hd. 10 - 32 x 1/2"
14	1307	1	Bolt 8mm - 1.25 x 16mm
15	05-070	1	Battery Hold Down
16	02-275	1	Ground Strap
17	1020	5	Bolt 5/16" - 18 x 3/4"
18	2044	11	Flatwasher 5/16" SAE

Item	Part #	No. Req'd.	Description
19	1111	5	Locknut 5/16" - 18
20	2042	2	Phillips Rd. Hd. 10 - 32 x 1/4"
21	02-212	1	Time Delay Relay
22	119660-		
	77710	1	Voltage Regulator
23	02-201	1	Circuit Breaker
24	1775	2	Locknut 10 - 32
25	1003	2	Bolt 1/4" - 20 x 1"
26	1220	6	Flatwasher 1/4"
27	1110	4	Locknut 1/4" - 20
28	05-624	1	Battery Mount Bracket
29	5037	1	Battery
30	05-646	1	Tab - Battery Mount Brkt.
31	02-393	1	Terminal Cover - Red
32	02-204	1	Terminal Cover - Black
33	02-070	1	Battery Cable - Positive
34	02-071	1	Battery Cable - Negative



Item	Part #	No. Req'd.	Description
1	1003	2	Bolt 1/4" - 20 x 1"
2	1200	2	Lockwasher - 1/4"
3	1220	2	Flatwasher 1/4"
4	2198	4	Phillips SMS # 6 x 3/8"
5	2058	2	Screw # 12 x 1/2"
6	06-374	1	Relay - Cruise Control
7	1775	4	Locknut 10 - 32 ESNA
8	1738	2	Phillips RHMS 10 - 32 x 1/2"
9	1732	2	"U" Nut 1/4" - 20
10	1781	2	Phillips RHMS 10 - 32 x 3/4"

Item	Part #	No. Req'd.	Description
11	05-502	1	Mount Bracket - Fuse Block/Relay
12	02-363	1	Wire Harness - Fuse Block
13	02-364	1	Wire Harness - Instrument Panel
14	05-647	1	Backup Plate
15	02-288	1	Safety Switch
16	02-292	1	Protective Cover
17	02-305	1	Fuse - ATC 5 Amp
—	02-306	2	Fuse - ATC 10 Amp
—	02-307	1	Fuse - ATC 20 Amp



Complete Instrument Panel Assembly

1260 - # 05-398

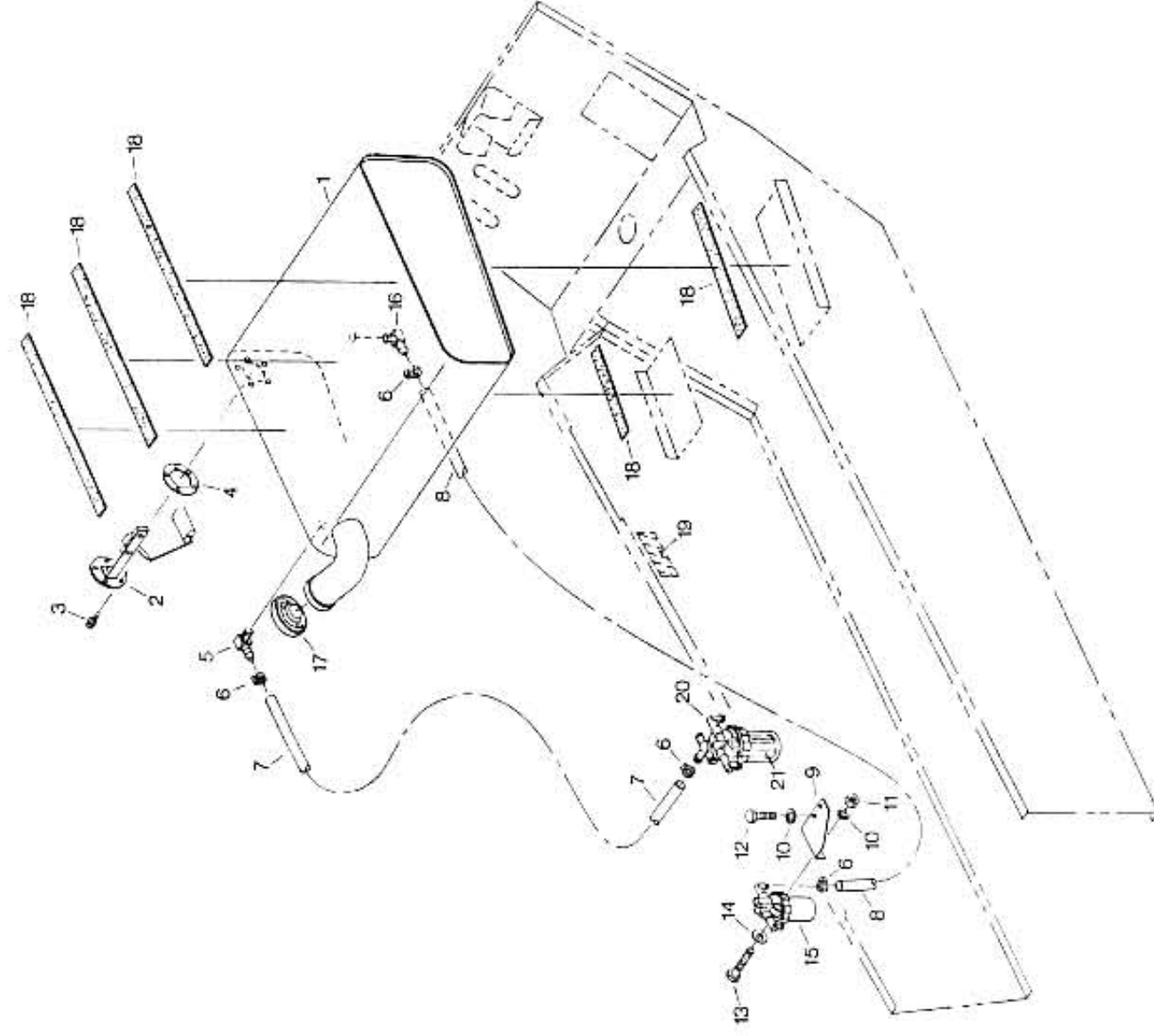
727 - # 05-399

727 w/ 91" Deck - # 05-398

FORWARD

Item	Part #	No. Req'd.	Description
1	02-052	1	Water Temp Gauge
2	02-054	1	Fuel Level Gauge
3	5122	1	Hourmeter
4	02-055	2	Mounting Bracket - Gauge
5	02-014	1	Mounting Bracket - Hourmeter
6	1782	4	Nut 8 - 32
7	2045	1	Nut 10 - 24
8	02-026	3	Lens - Red
9	02-025	4	Bulb
10	02-024	4	Socket
11	1877	4	Starwasher 11/16"
12	1878	4	Hexnut - 11/16" - Special
13	02-309	1	Lens - Amber
14	5146	1	Key
15	1765	1	Hexnut 9/16" - 18
16	1764	1	Starwasher 9/16"
17	02-074A	1	Ignitron Switch
18	2158	1	Plug - Light Hole
19	02-362	1	Switch - 4WD
-	06-375	1	Switch - Cruise
-	02-134	1	Switch - Cold Start
20	08-262	1	Plug - Switch Hole

Item	Part #	No. Req'd.	Description
21	1951	4	Phil Mach. Screw 1/4" - 20 x 3/4"
22	1220	4	Flatwasher 1/4"
23	05-336	1/1260	Instrument Panel - 3 Spool
-	05-337	1/727	Instrument Panel - 1 Spool
24	00-120	1/1260	Dash Decal - 3 Spool
-	00-119	1/727	Dash Decal - 1 Spool
25	00-183	1	Decal "Off Cruise Control"
26	00-620	1	Decal "4WD Reverse"
27	00-619	1	Decal "Forward"
28	00-182	1	Decal "Reset On"
29	02-117	2	Buzzer
30	2176	4	Cage Nut 1/4" - 20
31	1732	4	"U" Nut 1/4" - 20
32	05-648	1	Base Assy. - Instrument Panel
33	02-364	1	Wire Harness - Instrument Panel
34	1220	4	Flatwasher 1/4"
35	1200	4	Lockwasher 1/4"
36	1000	4	Bolt 1/4" - 20 x 3/4"
37	02-390	2	Ground Wire - Hourmeter
38	4335	4	8" Wire TYE
39	7029A	1	Decal "Never Push"




 FORWARD

Item	Part #	No. Req'd.	Description
------	--------	------------	-------------

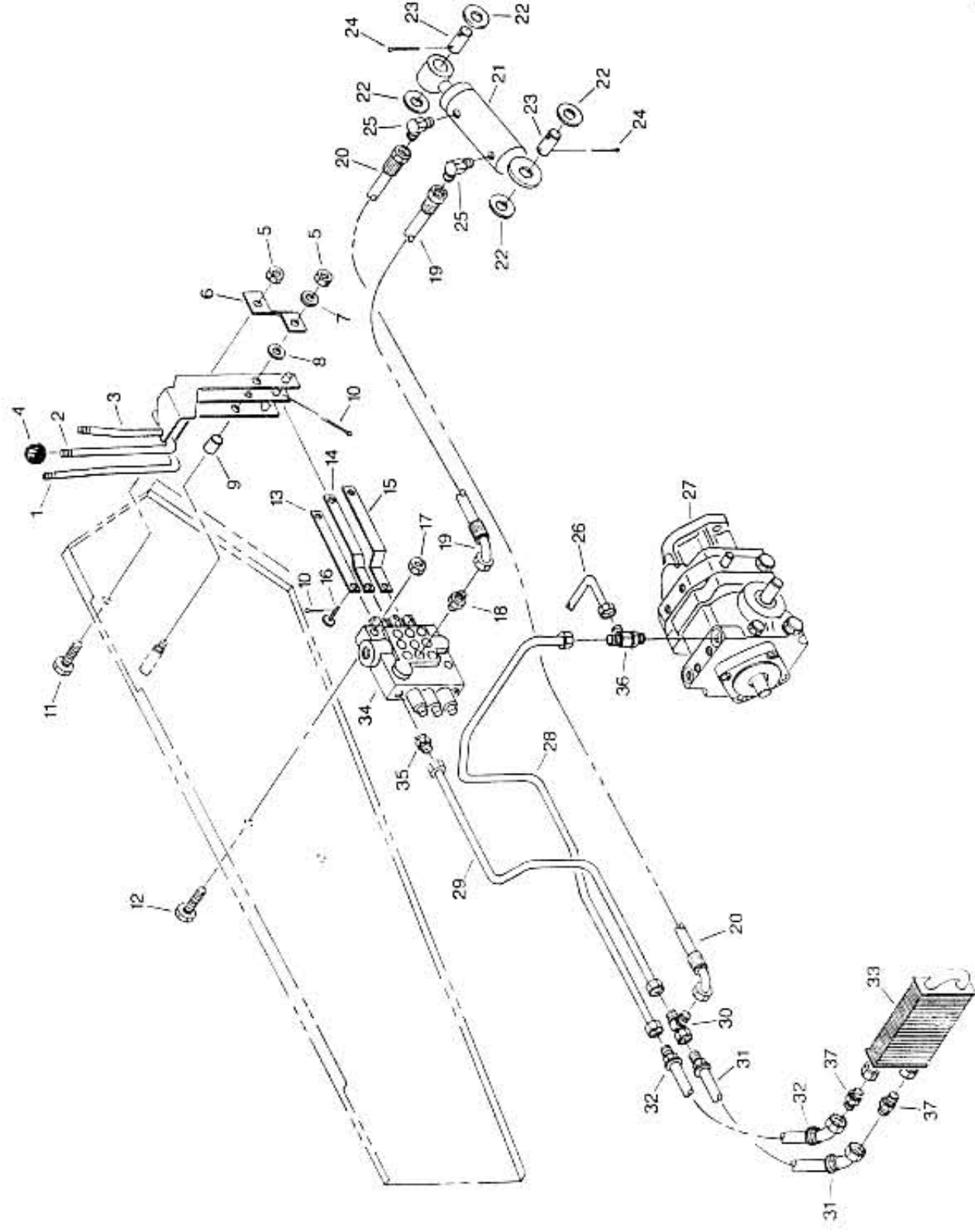
1	05-124	1	Fuel Tank
2	05-067	1	Fuel Level Sender
3	1777	5	Phillips Screw 8 - 32 x 3/4"
4	05-068	1	Gasket
5	03-247	1	Fitting - 90°
6	04-082	4	Hose Clamp - 1/2"
7	03-705	1	Hose - 1/4" I.D. (47")
8	03-705	1	Hose - 1/4" I.D. (62 1/2")
9	05-665	1	Mount Bracket - Water Separator
10	1201	3	Lockwasher 5/16"
11	1102	1	Nut 5/16" - 16
12	1307	2	Bolt 8 mm - 1.25 x 16mm

Item	Part #	No. Req'd.	Description
------	--------	------------	-------------

13	1936	1	Bolt 5/16" - 18 x 2 3/4"
14	1221	1	Flatwasher 5/16"
15	129335-55700	1	Fuel/Water Separator
16	13-274	1	Fitting - 90°
17	05-066	1	Fuel Tank Cap
18	00-083	As Required	Weatherstrip 1/8" x 1"
19	00-044	1	Decal "Diesel Fuel"
20	129100-55621	1	Fuel Filter Assy.
21	129100-55650	1	Fuel Filter Element

HYDRAULIC SYSTEM - DECK LIFT

00-489 12/95 24



Item	Part #	No. Req'd.	Description
1	05-827*	1/1260	Valve Lever Assy. (Left Wing)
2	05-285**	1/1260	Valve Lever Assy. (Left Wing)
3	05-828 *	1	Valve Lever Assy. (Front Deck)
4	05-284**	1	Valve Lever Assy. (Front Deck)
5	05-829*	1/1260	Valve Lever Assy. (Right Wing)
6	05-620**	1/1260	Valve Lever Assy. (Right Wing)
7	04-290	1/727, 3/1260	Knob
8	1112	2	Locknut 3/8" - 16
9	05-338	1	Bracket - Lever Assy.
10	1769	1	Flatwasher 3/8" SAE
11	1231	1	Flatwasher 1/2" SAE
12	05-370	2/727	Spacer - Valve Handle
13	1601	2/727, 3/1260	Cotter Pin 1/16" x 1/2"
14	1030	1	Bolt 3/8" - 16 x 3/4"
15	1007	2	Bolt 1/4" - 20 x 2"
16	05-830	1/1260	Link - L. H. Control
17	05-341	1/1260	Link - L. H. Control
18	05-831	1	Link - Front Control
19	05-340	1	Link - Front Control
20	05-832	1/1260	Link - R. H. Control
21	05-339	1/1260	Link - R. H. Control
22	2017	1/727, 3/1260	Yoke Pin 1/4" x 3/4"
23	1110	2	Locknut 1/4" x 20
24	13-323	1/727, 3/1260	Fitting - Straight
25	13-292	1	Hose Assy.
26	13-904	1	Hose Assy.
27	03-667	1/727, 1/1260	Lift Cylinder - Front
28	03-405	-	Seal Kit For # 03-667
29	23-022***	1/8" Deck	Lift Cylinder - Front
30	23-021	-	Seal Kit For # 23-022
31	03-962****	1/8" Deck	Lift Cylinder - Front
32	03-963	-	Seal Kit For # 03-962
33	1235	4	Flatwasher 3/4" SAE
34	05-022	2	Pin - Cylinder Mount

* For Units With Serial # 4D79-0130 And Up or # 4D7-1151 And Up or # 4D76-0819 And Up

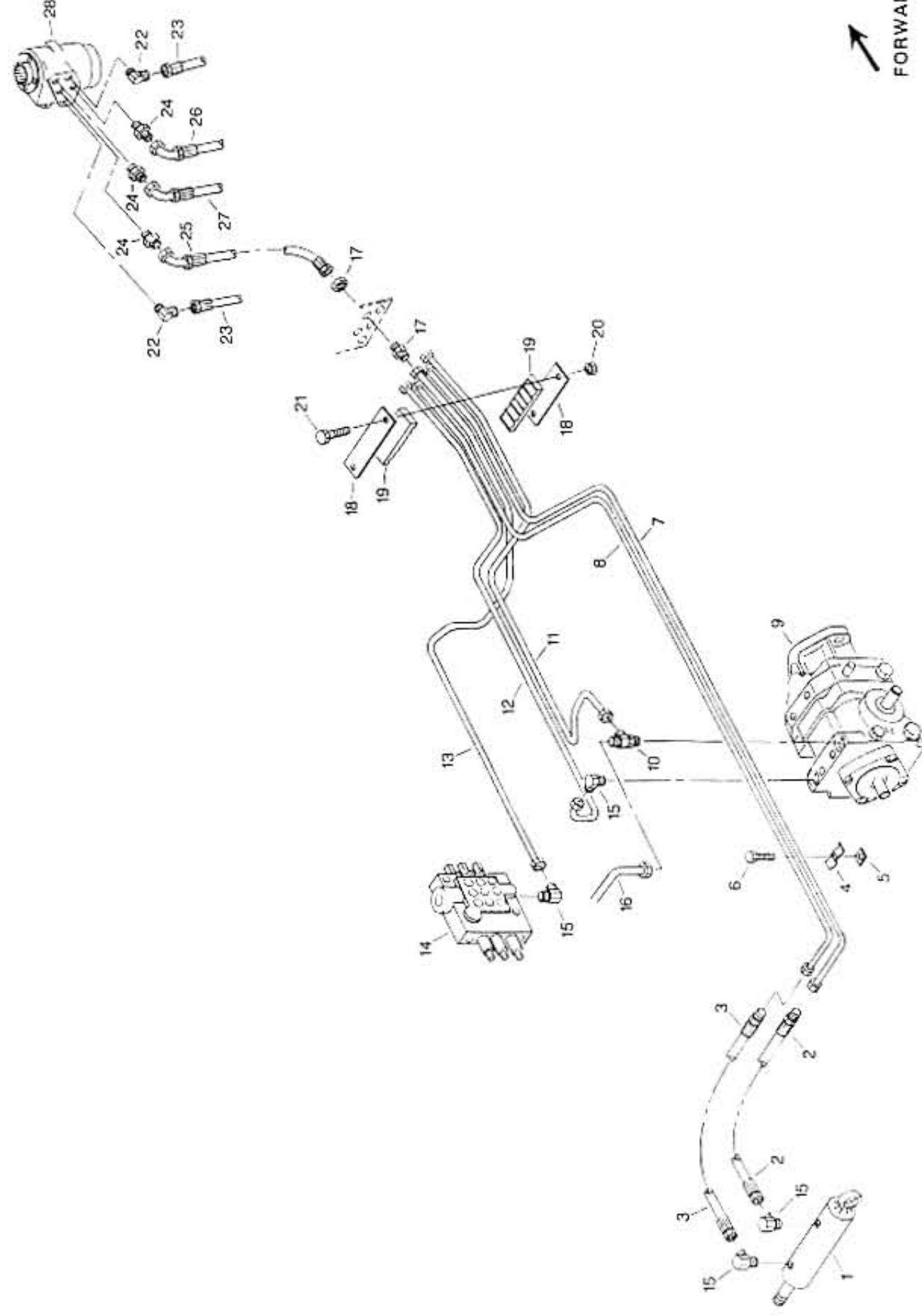
** For Units With Serial # 4D79-0129 And Under or # 4D7-1150 And Under or # 4D76-0818 And Under

*** For Units With Serial # 4D79-0117 And Up

**** For Units With Serial # 4D79-0116 And Under

Item	Part #	No. Req'd.	Description
24	1863	4	Cotter Pin 1/8" x 1 1/2"
25	03-780	2	Fitting - 90°
26	13-735	1	Tube - Steering Return
27	13-614	1	Transmission Assy.
28	13-785	1	Tube Assy.
29	13-783	1	Tube Assy.
30	13-477	1	Fitting - Tee
31	13-853	1/1260	Hose - Oil Cooler
32	13-870	1/727	Hose - Oil Cooler
33	13-817	2	Fitting - 45°
34	13-845	2	Fitting - Straight
35	13-853	1/1260	Hose - Oil Cooler
36	13-871	1/727	Hose - Oil Cooler
37	18-817	2	Fitting - 45°
38	13-845	2	Fitting Straight
39	03-810	1	Oil Cooler
40	13-279	1/1260	Valve Assy. - 3 Spool
41	03-447	1/727	Valve Assy. - 1 Spool
42	13-211	-	Seal Kit (1 per Spool)
43	13-212	-	Detent Kit (1 per Spool)
44	03-076	1	Fitting - Straight
45	13-838	1	Fitting
46	13-440	2	Fitting - Straight

00-489 12/95 25

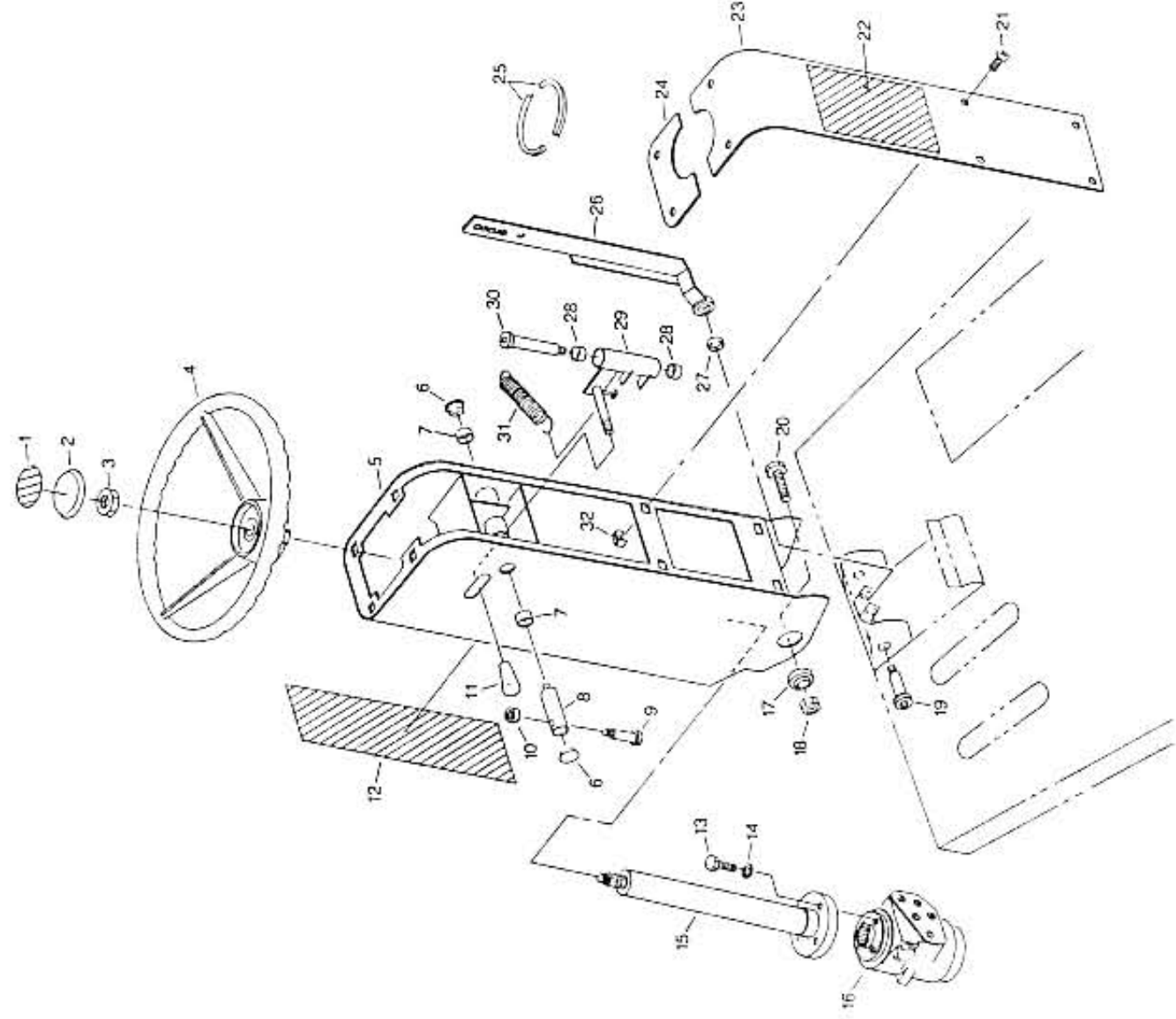


Item	Part #	No. Req'd.	Description
------	--------	------------	-------------

1	13-478	1	Steering Cylinder (1 7/8" O.D.)
-	13-029	1	Seal Kit
-	13-760	1	Steering Cylinder (2" O.D.)
-	13-778	1	Seal Kit
2	13-339	1	Power Steering Hose
-	13-749	1	Power Steering Hose (4WD)
3	13-338	1	Power Steering Hose
-	13-750	1	Power Steering Hose (4WD)
4	2183	2	Tube Clamp
5	1827	2	Square Nut 1/4" - 20
6	1000	2	Bolt 1/4" - 20 x 3/4"
7	13-738	1	Tube Assy. - Steering Cylinder (Right)
8	13-736	1	Tube Assy. - Steering Cylinder (Left)
9	13-614	1	Transmission Assy.
10	13-838	1	Fitting
11	13-735	1	Tube - Steering Return
12	13-737	1	Tube - Steering Pressure
13	13-739	1	Tube - Steering Bypass (3 Spool Valve)
-	13-746	1	Tube - Steering Bypass (1 Spool Valve)
14	13-279	1	3 Spool Valve

Item	Part #	No. Req'd.	Description
------	--------	------------	-------------

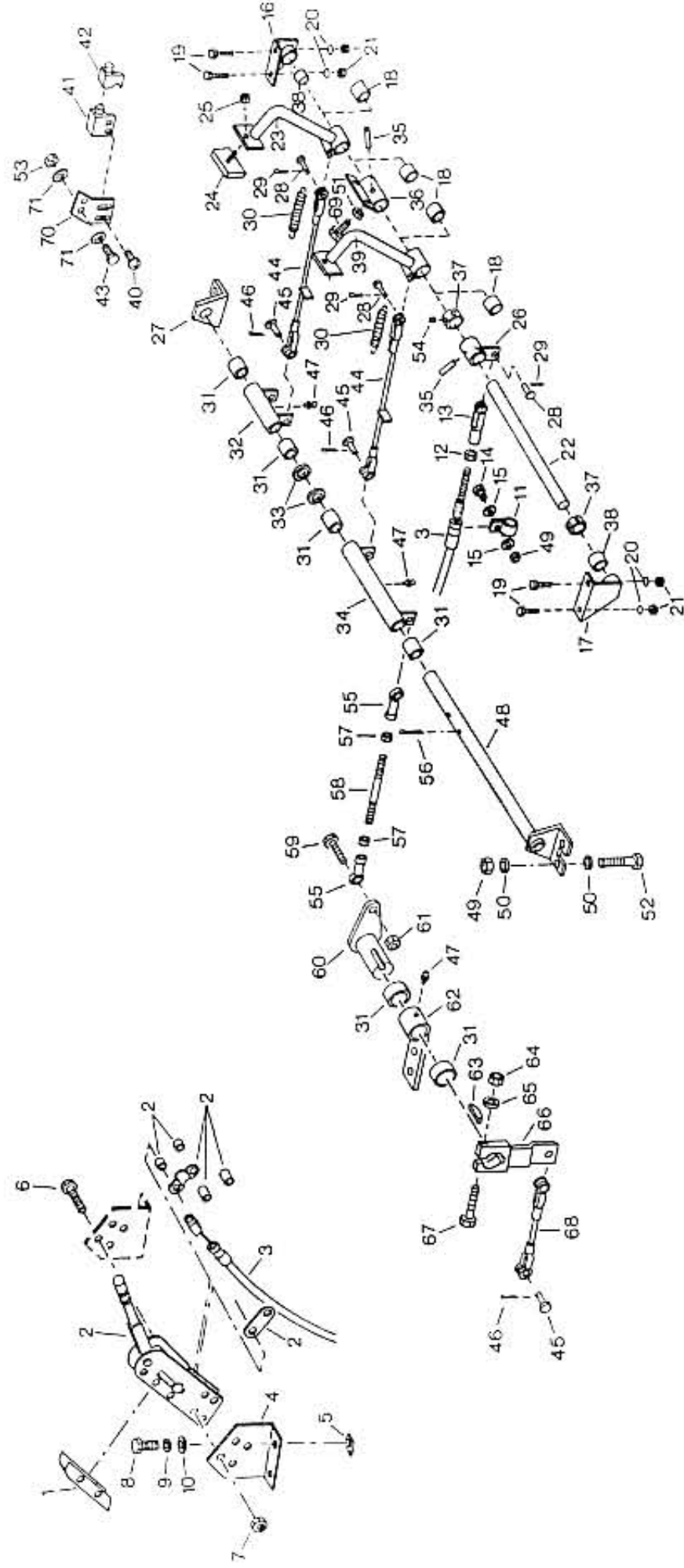
-	03-447	1	Spool Valve
-	13-211	-	Seal Kit (1 per Spool)
-	13-212	-	Detent Kit (1 per Spool)
15	03-663	4	Fitting - 90°
16	13-785	1	Tube - Oil Cooler
17	13-507	5	Fitting - Straight
18	06-244	2	Tube Clamp - Steel
19	06-191	2	Tube Clamp - Plastic
20	1110	2	Locknut 1/4" - 20
21	1019	2	Bolt 1/4" - 20 x 1 3/4"
22	03-663	2	Fitting - 90°
23	13-734	2	Hose Assy.
24	03-076	3	Fitting - Straight
25	13-731	1	Hose Assy.
26	13-732	1	Hose Assy.
27	13-733	1	Hose Assy.
28	13-948	1	Steering Valve
-	13-743	1	Seal Kit



FORWARD

Item	Part #	No. Req'd.	Description
1	00-411	1	Decal "HPTE Logo"
2	05-144	1	Steering Wheel Cover
3	2171	1	Jam Nut 16 - 1.5
4	05-125	1	Steering Wheel
5	05-614	1	Cowling Assembly
6	17-013	2	Button Plug - 5/8"
7	04-331	2	Bushing
8	05-568	1	Pin - Tilt Lock
9	2177	1	Shoulder Bolt 1/4" x 1"
10	2149	1	Nut 10 - 24 ESNA
11	05-570	1	Knob - Tilt Release Lever
12	00-602	1	Decal "1260"
—	00-603	1	Decal "727"
13	2173	4	Bolt 6mm - 1.0 x 20mm
14	1200	4	Lockwasher 1/4"
15	13-705	1	Steering Column
16	13-948	1	Steering Valve
—	13-743	1	Seal Kit

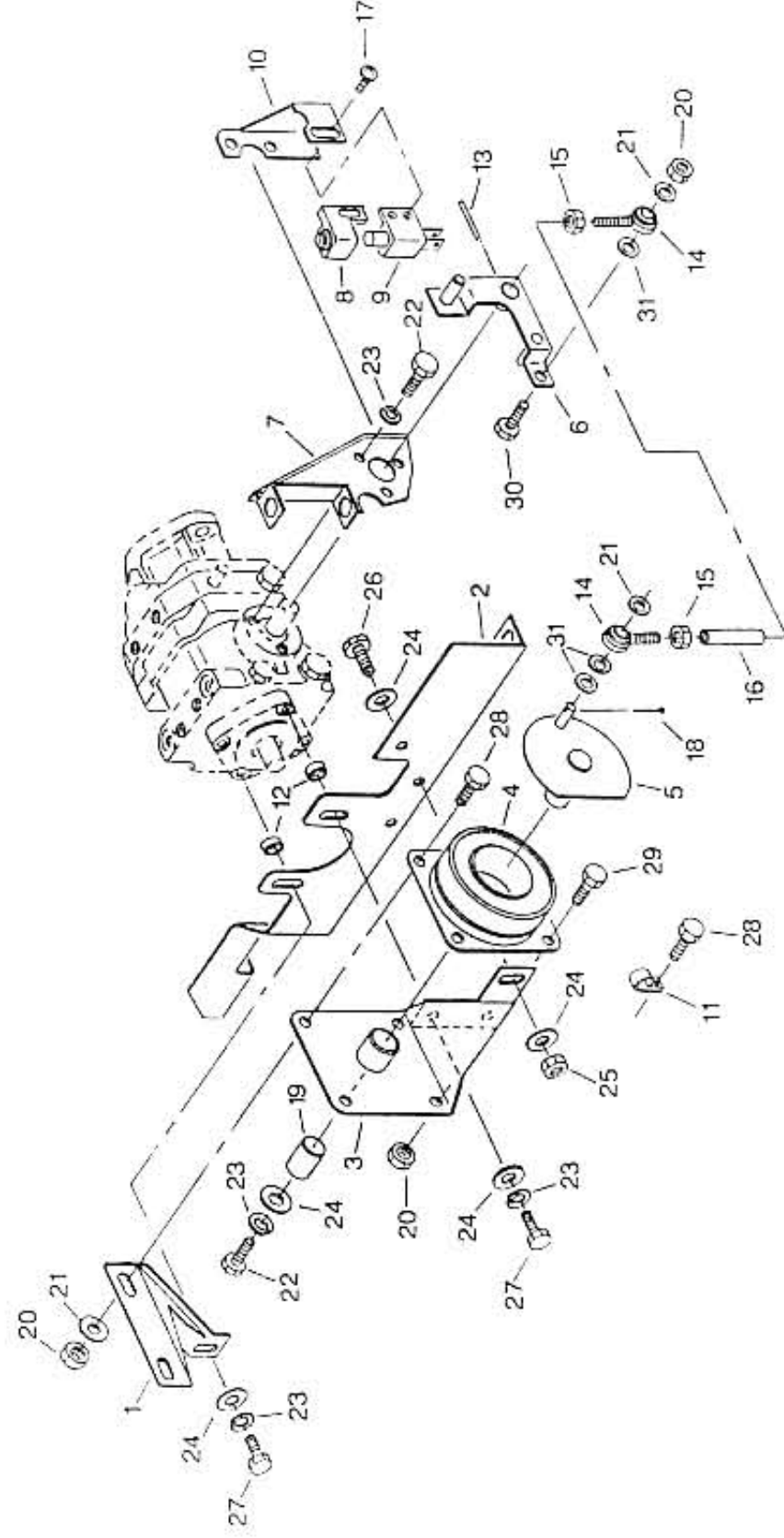
Item	Part #	No. Req'd.	Description
17	05-564	2	Spherical Bearing
18	1747	2	Locknut 1/2" - 13
19	2180	1	Shoulder Bolt 1/2" x 1"
20	1051	2	Bolt 1/2" - 13 x 1 1/4"
21	1951	8	Phillips 1/4" - 20 x 3/4"
22	00-606	1	Decal "Caution 15° Incline"
23	05-615	1	Cover - Cowling
24	05-573	1	Cover - Cowling Front
25	06-433	7"	Trim
26	05-554	1	Tilt Stop Assembly
27	04-331	1	Bushing
28	04-134	2	Bushing
29	05-555	1	Release Lever Assembly
30	2178	1	Shoulder Bolt 3/8" x 3"
31	05-569	1	Spring - 2"
32	2176	8	Cage Nut 1/4" - 20



FORWARD

Item	Part #	No. Req'd.	Description
1	05-580	1	Cover - Parking Brake
2	05-572	1	Brake Lever Assy.
3	05-571	1	Cable Assy. - Parking Brake
4	05-588	1	Support - Parking Brake
5	1732	2	"U" Nut 1/4" - 20
6	1803	4	Bolt 5/16" - 18 x 1 3/4"
7	1111	4	Locknut 5/16" - 18
8	1003	2	Bolt 1/4" - 20 x 1"
9	1200	2	Lockwasher 1/4"
10	1220	2	Flatwasher 1/4"
11	05-584	1	Clamp - Cable
12	1122	1	Nut 5/16" - 24
13	09-148	1	Clevis 5/16" - 24 x 2 1/4"
14	1213	1	Bolt 5/16" - 18 x 1"
15	1221	2	Flatwasher 5/16"
16	05-204	1	Brake Shaft Brkt. - Left
17	05-205	1	Brake Shaft Brkt. - Right
18	4122	4	Bushing
19	1213	4	Bolt 5/16" - 18 x 1"
20	1201	4	Lockwasher 5/16"
21	1102	4	Hex Nut 5/16" - 18
22	05-508	1	Brake Shaft
23	05-499	1	Pedal Assy. - L.H.
24	5276	2	Brake Pedal Pad
25	1603	2	ESNA Locknut 3/8" - 24
26	05-576	1	Lever Assy. Parking Brake
27	05-479	1	Support Assy. - Cross Shaft
28	2064	3	Clevis Pin 5/16" x 3/4"
29	2075	3	Cotter Pin 3/32" x 1/2"
30	4114	2	Spring - 5"
31	4121	8	Bushing
32	05-476	1	Tube - Brake Cross Left
33	07-011	2	Shim
34	05-475	1	Tube - Brake Cross Right
35	1132	2	Roll Pin 1/4" x 1 1/2"
36	05-515	1	Brake Interlock Assy.
37	05-509	2	Collar - Brake Shaft Locating

Item	Part #	No. Req'd.	Description
38	04-339	2	Bushing
39	05-498	1	Pedal Assy. - R.H.
40	2058	2	Screw #12 x 1/2"
41	09-058	2	Switch (Cruise Only)
42	02-292	2	Protective Cover (Cruise Only)
43	1000	2	Bolt 1/4" - 20 x 3/4"
44	05-585	2	Rod Assy. Brake
45	2064	6	Clevis Pin 5/16" x 3/4"
46	2075	6	Cotter Pin 3/32" x 1/2"
47	1500	4	Grease Fitting - Straight
48	05-480	1	Shaft Assy. - Cross Shaft
49	1111	5	Locknut 5/16" - 18
50	1221	8	Flatwasher 5/16"
51	1102	2	Nut 5/16" - 18
52	1936	4	Bolt 5/16" - 18 x 2 3/4"
53	1110	2	Locknut 1/4" - 20
54	1126	2	Set Screw 5/16" - 18 x 1/4"
55	09-143	4	Rod End
56	1863	2	Cotter Pin 1/8" x 1 1/2"
57	1122	4	Hex Nut 5/16" - 24
58	05-497	2	Threaded Rod Link
59	1213	4	Bolt 5/16" - 18 x 1"
60	05-477	1	Shaft Assy. - Brake R.H.
61	05-478	1	Shaft Assy. - Brake L.H.
62	1111	4	Locknut 5/16" - 18
63	05-481	1	Support Assy. - R.H.
64	05-482	1	Support Assy. - L.H.
65	2154	2	Woodruff Key 1/4" x 3/4"
66	1103	2	Hex Nut 3/8" - 16
67	1202	2	Lockwasher 3/8"
68	05-474	2	Lever Assy. - Brake
69	1507	2	Bolt 3/8" - 16 x 2"
70	05-484	2	Link Assy. - Brake
71	1213	2	Bolt 5/16" - 18 x 1"
72	05-586	2	Mount Brkt. - Switch
73	1220	4	Flatwasher 1/4"



FORWARD

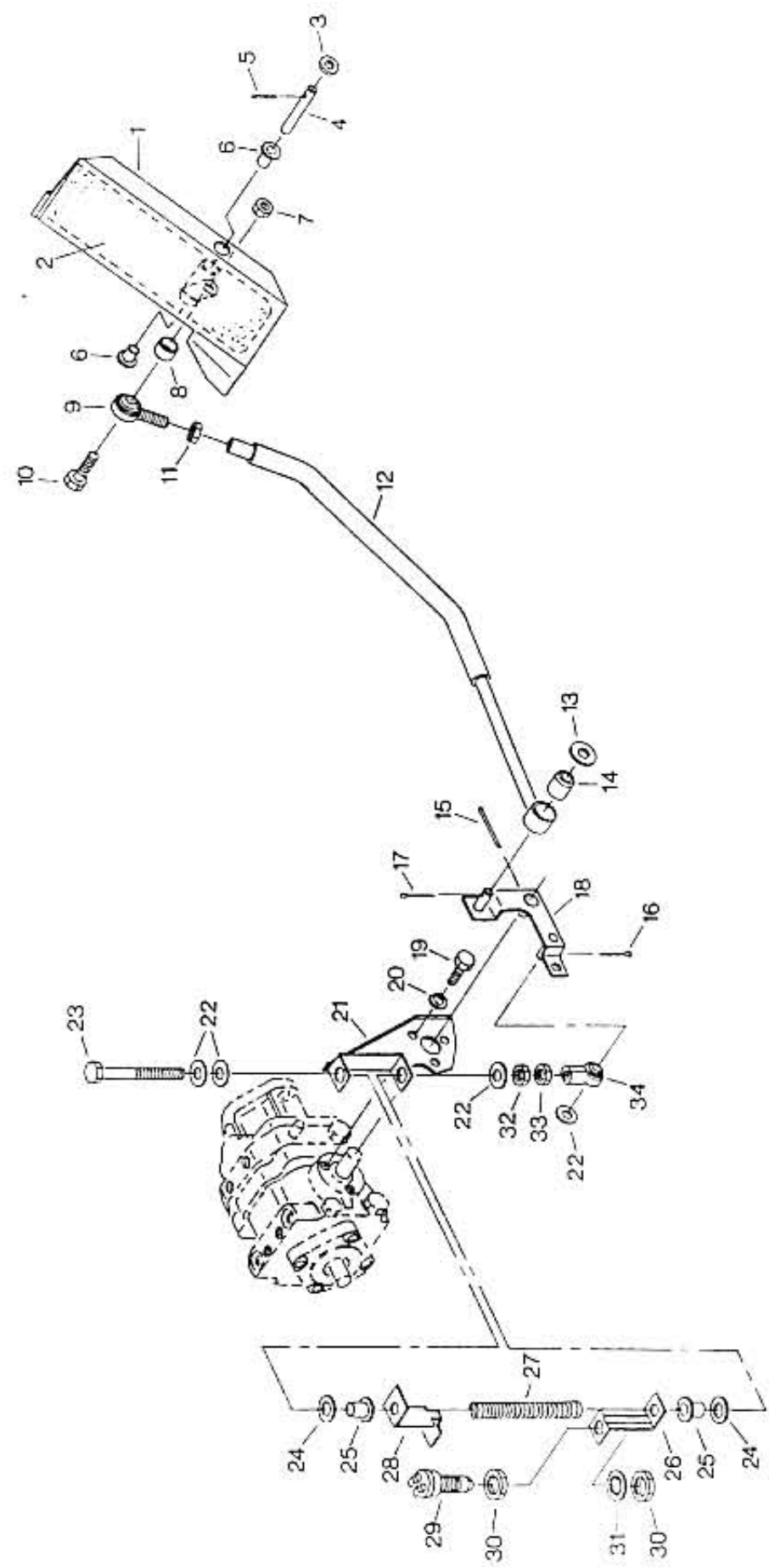
Item	Part #	No. Req'd.	Description
1	05-651	1	Gusset Assy. - Coil Mount Bracket
2	05-634	1	Frame Stiffener - Rear
3	05-623	1	Mount Bracket - Cruise Coil
4	06-373	1	Coil - Cruise Control
5	05-463	1	Disk Assy. - Cruise Control
6	05-592	1	Lever - Trans. Control
7	05-461	1	Bracket Assy. - Neutral Mount
8	02-292	1	Protective Cover (4WD Only)
9	09-058	1	Switch - Reverse Indicating (4WD Only)
10	05-595	1	Bracket - Switch Mount (4WD Only)
11	05-590	1	Clamp - Wire
12	05-451	2	Spacer
13	1131	1	Roll Pin 1/4" x 1"
14	06-394*	2	Rod End
15	1856*	2	Nut 1/4" - 28
16	05-512*	1	Link - Cruise Control

Item	Part #	No. Req'd.	Description
17	2058	2	Phillips Pan Head # 12 x 1/2"
18	1601	1	Cotter Pin 1/16" x 1/2"
19	5069	1	Bushing
20	1110	5	Locknut 1/4" - 20
21	1056	4	Flatwasher 1/4" SAE
22	1020	4	Bolt 5/16" - 18 x 3/4"
23	1201	6	Lockwasher 5/16"
24	1221	7	Flatwasher 5/16"
25	1111	2	Locknut 5/16" - 18
26	1213	2	Bolt 5/16" - 18 x 1"
27	1025	2	Bolt 5/16" - 18 x 2"
28	1000	2	Bolt 1/4" - 20 x 3/4"
29	1016	2	Bolt 1/4" - 20 x 1/2"
30	1003	1	Bolt 1/4" - 20 x 1"
31	1056	As Needed	Flatwasher 1/4" SAE

* Also Included In Complete Assy. # 05-489

LINKAGE - TRACTION CONTROL

00-489 12/95 34



FORWARD

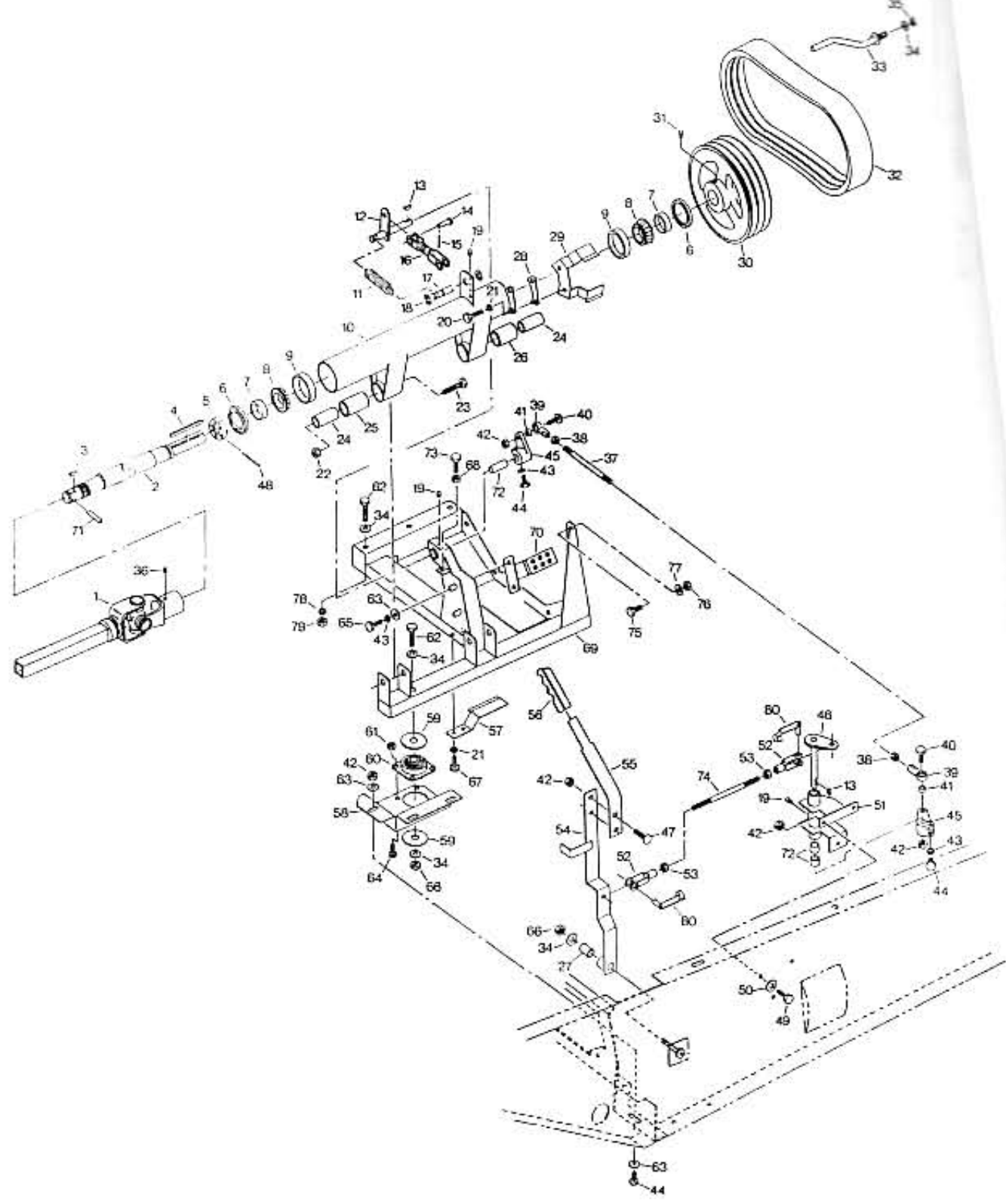
Item Part # No. Req'd. Description

1	05-466	1	Traction Pedal
2	00-052	1	Anti-Slip Pad
3	1769	1	Flatwasher 3/8" - SAE
4	05-491	1	Pedal Pivot Pin
5	2156	1	Roll Pin 1/8" x 5/8" Plated
6	08-102	2	Bushing
7	1747	1	Locknut 1/2" - 13
8	05-495	1	Spacer
9	05-488	1	Rod End
10	1736	1	Bolt 1/2" - 13 x 1 1/2"
11	1979	1	Jam Nut 1/2" - 20
12	05-467	1	Linkage Rod Assy.
13	1223	1	Flatwasher - 1/2"
14	04-247	1	Damper Bushing
15	1131	1	Roll Pin 1/4" x 1"
16	1601	1	Cotter Pin 1/16" x 1/2"
17	1605	1	Cotter Pin 1/8" x 1"

Item Part # No. Req'd. Description

18	05-592	1	Lever - Trans. Control
19	1020	3	Bolt 5/16" - 18 x 3/4"
20	1201	3	Lockwasher 5/16"
21	05-461	1	Bracket Assy. - Neutral Mount
22	1769	4	Flatwasher 3/8" SAE
23	2155	1	Bolt 3/8" - 24 x 7"
24	1218	2	Bushing
25	08-102	2	Bushing
26	05-594	1	Mount Bracket - Neutral Switch
27	05-596	1	Spring - Compression
28	05-593	1	Tab - Neutral Switch
29	5018	1	Safety Switch
30	1805	2	Hex Nut Special 5/8" - 32
31	1798	1	Internal Starwasher 5/8"
32	1603	1	Locknut ESNA 3/8" - 24
33	1849	1	Jam Nut 3/8" - 24
34	04-249	1	Ball Joint

00-489 12/95 35



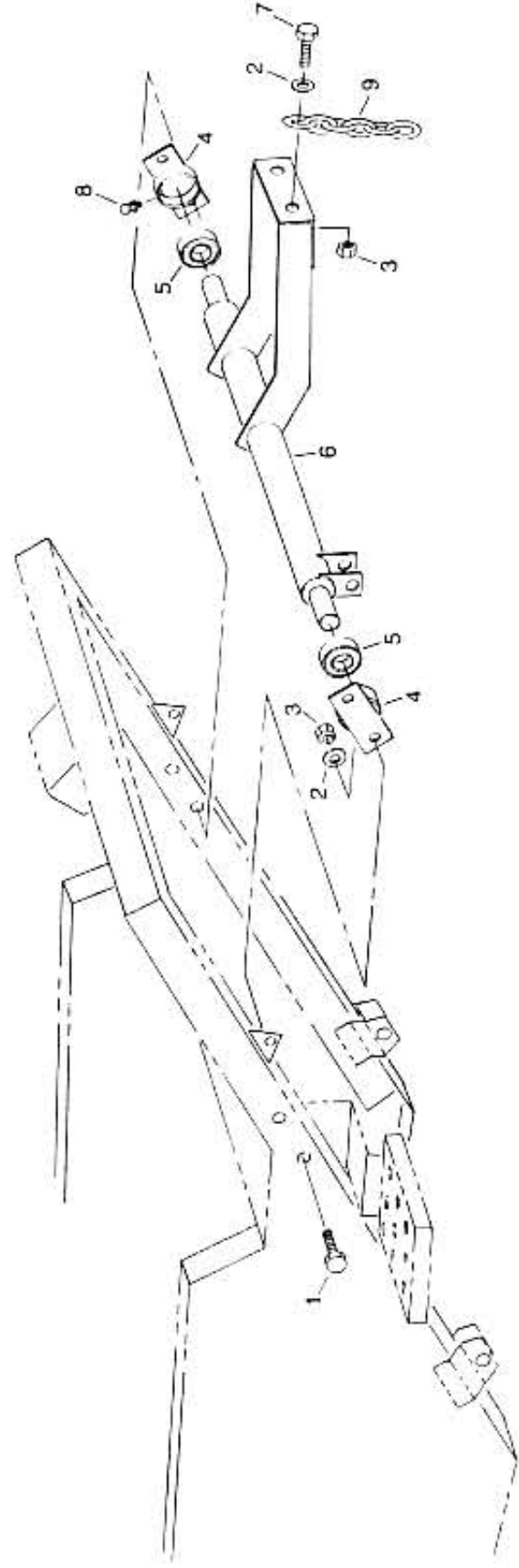
←
FORWARD

Item	Part #	No. Req'd.	Description
1	04-119A	1	PTO Shaft Assy. - Female
-	04-119B	1	PTO Shaft Assy. - Male
-	04-473	1	PTO Shaft Assy. - Male (91" Deck Only)
-	4146	1	U-Joint Repair Kit
2	05-230	1	PTO Shaft
3	1983	1	Woodruff Key 1/4" x 7/8"
4	2115	1	Key 1/4" x 2 3/4"
5	1888	1	Slotted Half Nut 1 1/8" - 12
6	04-277	2	Shaft Seal
7	05-234	2	Spacer
8	04-275	2	Bearing Cone
9	04-276	2	Bearing Cup
10	05-618	1	PTO Tube Assy.
11	05-657	1	Spring
12	05-616	1	PTO Pivotal Assy.
13	2057	2	Key 1/8" x 5/8"
14	1791	1	Clevis Pin 3/8" x 1"
15	1600	1	Colter Pin 3/32" x 1"
16	05-626	1	Link - Over Center Assy.
17	05-632	1	Pin - Over Center Clevis
18	2200	2	Retaining Ring
19	09-091	3	Grease Fitting - Straight
20	1003	2	Belt 1/4" - 20 x 1"
21	1200	4	Lockwasher 1/4"
22	1747	2	Locknut 1/2" - 13
23	2245	2	Bolt 1/2" - 13 x 3"
24	05-617	2	Spacer
25	05-667	1	Bushing
26	05-650	1	Bushing
27	4197	1	Bushing
28	05-663	1	Spacer - PTO Belt Guide (1/8" Thick)
-	05-662	1	Spacer - PTO Belt Guide (1/4" Thick)
29	05-636	1	Belt Restraint
30	04-117	1	PTO Pulley
31	2109	2	Sq. Head Set Screw 5/16" - 18 x 1"
32	3476	1	PTO Belt
33	05-649	1	Upper Belt Guide
34	1222	7	Flatwasher 3/8"
35	1911	1	Locknut 3/8" - 16
36	2000	1	Set Screw 3/8" - 16 x 3/8"
37	05-805**	1	Rod - PTO Control
38	2092**	2	Jam Nut 5/16" - 24

Item	Part #	No. Req'd.	Description
39	09-143**	2	Rod End
40	1022	2	Bolt 5/16" - 18 x 1 1/4"
41	09-128	2	Spacer
42	1111	10	Locknut 5/16" - 18
43	1201	4	Lockwasher 5/16"
44	1213	5	Bolt 5/16" - 18 x 1"
45	09-029	2	Lever - PTO Belcrank Linkage
46	05-625	1	PTO Belcrank
47	2070	2	Carriage Bolt 5/16" - 18 x 3/4"
48	1608	1	Colter Pin 1/8" x 2"
49	1020	3	Bolt 5/16" - 18 x 3/4"
50	2044	3	Flatwasher 5/16" SAE
51	05-619	1	Frame Pivot Tube - PTO Linkage
52	05-668*	2	Rod End - PTO Control
53	1849*	2	Jam Nut 3/8" - 24
54	05-621	1	PTO Handle - Lower
55	05-633	1	PTO Handle - Upper
56	05-464	1	PTO Handle Grip
57	05-629	1	Belt Guide - Lower
58	05-641	1	Front PTO Mount
59	2086	1	Flatwasher 1 - 13/16" OD x 3/8" ID
60	05-635	1	Rubber Mount
61	1775	4	Locknut 10-32
62	1611	4	Bolt 3/8" - 16 x 3"
63	1221	8	Flatwasher 5/16"
64	1781	4	Phillips Machine Screw 10 - 32 x 3/4"
65	1025	2	Bolt 5/16" - 18 x 2"
66	1112	2	Locknut 3/8" - 16
67	1000	2	Bolt 1/4" - 20 x 3/4"
68	1102	1	Hex Nut 5/16" - 18
69	05-630	1	PTO Frame Assy.
70	05-622	1	PTO Brake Assy.
71	1402	1	Roll Pin 5/16" x 1 5/8"
72	09-099	3	Bushing
73	1073	1	Bolt 5/16" - 18 x 1 1/2"
74	05-669*	1	Rod - PTO Control
75	2114	5	Bolt 12mm - 1.75 x 35mm
76	2113	5	Hexnut 12mm - 1.75
77	2055	5	Lockwasher 12mm
78	1202	3	Lockwasher 3/8"
79	1103	3	Hexnut 3/8" - 16
80	05-825	2	Clevis Spring Pin

* Can Be Purchased Through Assy # 05-627

** Can Be Purchased Through Assy # 05-628



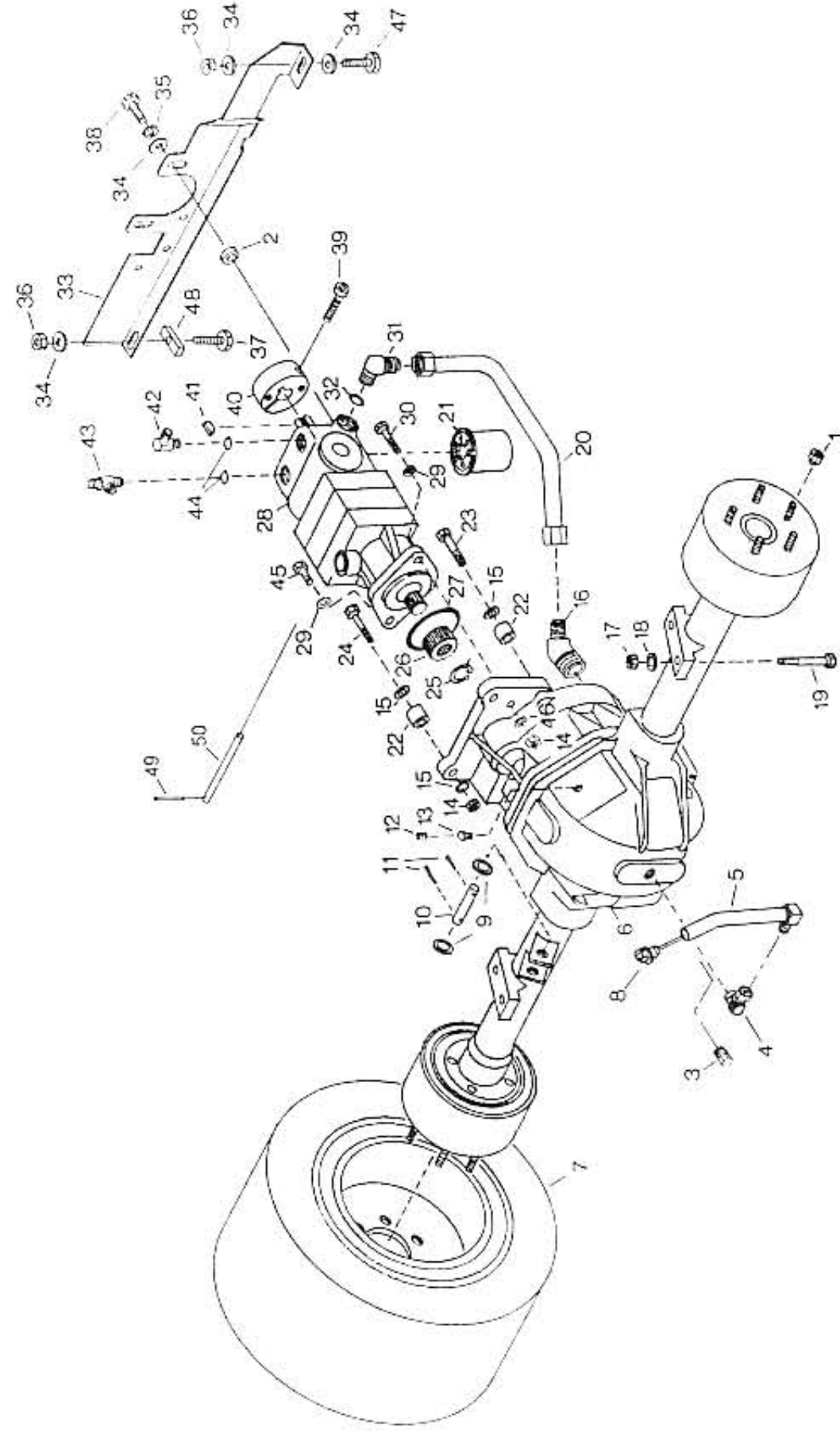
↑
FORWARD

Item	Part #	No. Req'd.	Description
1	1673	4	Bolt 3/8" - 16 x 2 1/2" Gr. 5
2	1222	6	Flatwasher 3/8"
3	1112	6	Locknut 3/8" - 16 Gr. 2
4	05-057	2	Mount Bracket - Lift Bar
5	04-123	2	Bearing
6	05-565	1/227	Lift Arm Assy.
-	05-587	1/1260	Lift Arm Assy.

Item	Part #	No. Req'd.	Description
7	1030	2	Bolt 3/8" - 16 x 3/4"
8	1500	2	Grease Fitting
9	07-187	2/227	Lift Chain - 11 Link
-	07-457	2/1260	Lift Chain - 9 Link

FRONT TRACTION DRIVE

00-489 12/95 40



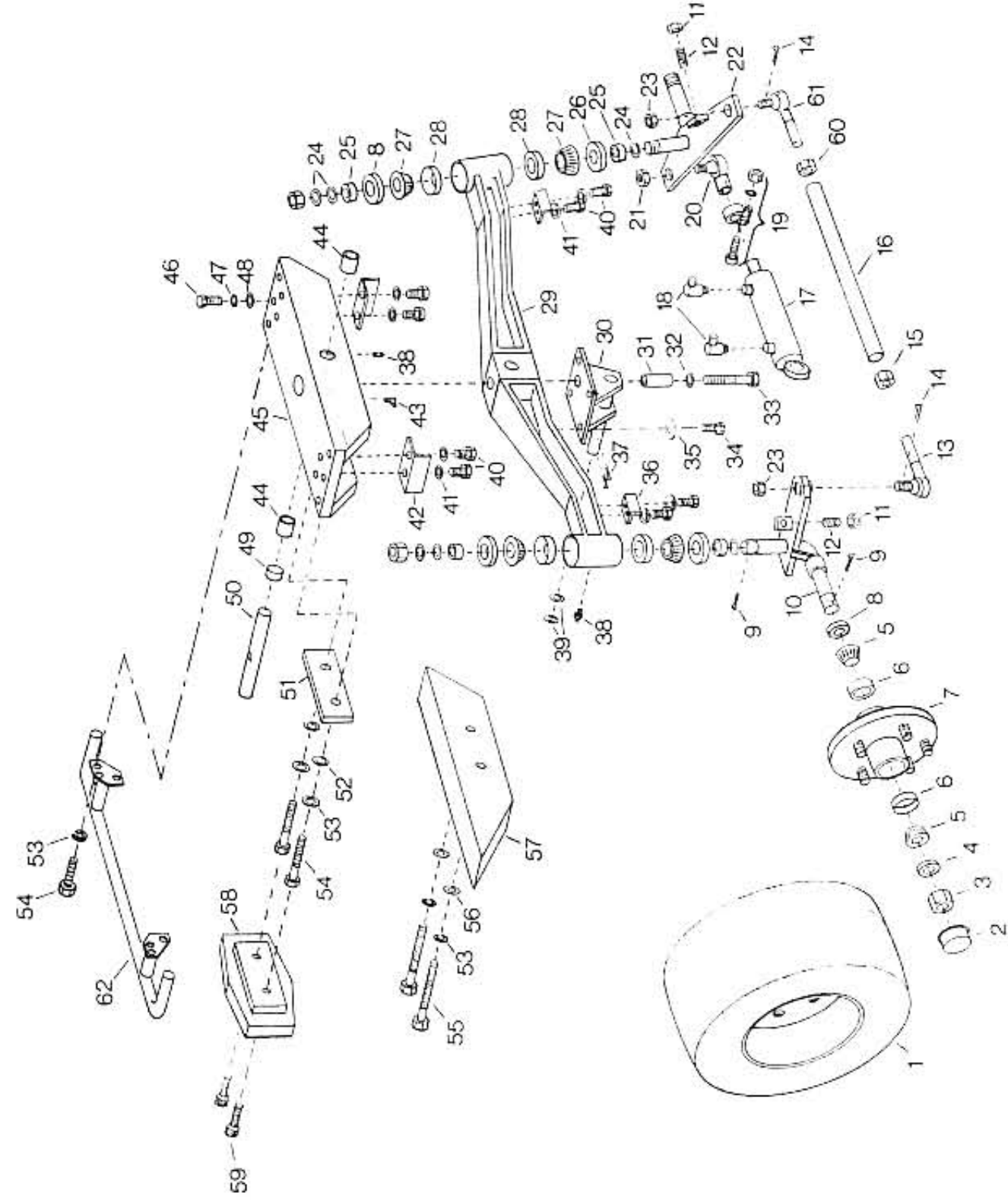
FORWARD

Item Part # No. Req'd. Description

1	04-142	10	Lug Nut
2	05-451	2	Spacer
3	6012	1/1260	Pipe Plug - 1/2"
4	13-673	1/727	Fitting - 90°
5	13-591	1/727	Filler Tube
6	05-682	1	Transaxle
7	05-004	2	Drive Wheel Assy.
-	05-005A	-	Drive Wheel Only
-	05-006	-	Drive Tire
-	05-007	-	Repair Tube
-	05-376	2/1260	Drive Wheel Assy. (Wide Tire)
-	05-426	-	Tire Only (Wide Tire)
-	05-427	-	Wheel Only (Wide Tire)
8	05-191	1/727	Dipstick
9	1235	2	Flatwasher 3/4" SAE
10	05-022	1	Cylinder Mount Pin
11	1863	2	Cotter Pin 1/8" x 1 1/2"
12	1841	1/1260	Pipe Plug 1/4" NPT
13	6019	1/727	Vent
14	1112	2	Locknut - 3/8" - 16
15	1222	6	Flatwasher - 3/8"
16	13-946	1/727	Fitting - 45°
17	1112	4	Locknut - 3/8" - 16
18	2079	4	Flatwasher - 3/8" (Hardened)
19	1041	4	Bolt - 3/8" - 16 x 3 1/2"
20	03-668	1/727	Suction Tube
21	6033	1	Filter Cartridge
22	05-021	4	Spacer

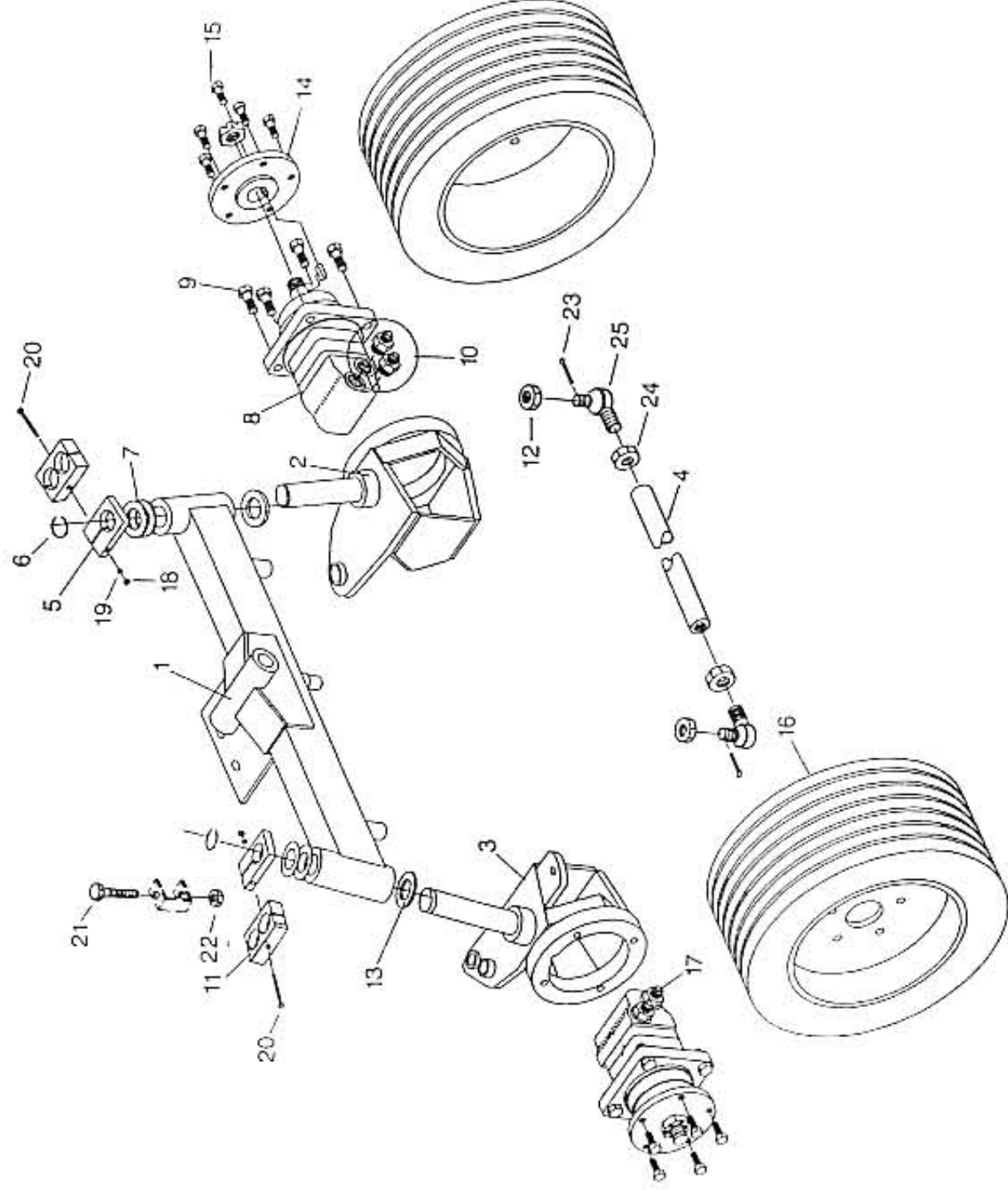
Item Part # No. Req'd. Description

23	1507	2	Bolt - 3/8" - 16 x 1 3/4"
24	1873	2	Bolt - 3/8" - 16 x 2 1/2"
25	6031	1	Retaining Ring
26	05-116	1	Drive Gear
27	03-235	1	"O" Ring
28	13-614	1	Transmission Assy.
29	1202	2	Lockwasher - 3/8"
30	1822	1	Bolt - 3/8" - 16 x 1 3/4"
31	03-696	1/727	Fitting - 90°
32	03-129	-	"O" Ring
33	05-634	1	Frame Stiffener - Rear
34	2044	5	Flatwasher - 5/16" SAE
35	1201	2	Lockwasher - 5/16"
36	1111	2	Locknut 5/16" - 18
37	1803	1	Bolt - 5/16" - 18 x 1 3/4"
38	1803	2	Bolt - 5/16" - 18 x 1 3/4"
39	1066	1	Bolt 5/16" - 24 x 1 1/2" SHCS
40	05-133	1	Trans. Coupling Adaptor
41	6602	1	Woodruff Key 3/16" x 3/4"
42	03-663	1	Fitting - 90°
43	13-838	1	Fitting
44	03-708	-	"O" Ring
45	1824	1	Bolt 3/8" - 16 x 1 1/4"
46	1237	1	3/8" Shimwasher
47	1213	1	Bolt 5/16" - 18 x 1"
48	05-671	1	Spacer
49	1966	1	Roll Pin 3/16" x 2"
50	05-149	1	Bypass Valve Extension



Item	Part #	No. Req'd.	Description
1	05-160	2	Rear Wheel/Tire Assembly
-	05-161	-	Rear Wheel Only
-	05-166	-	Rear Tire Only
-	05-171	-	Repair Tube
2	04-107	2	Hub Cap
3	1701	4	Slotted Nut 1" - 14
4	1408	2	Flatwasher - 1" SAE
5	04-165	4	Bearing Cone
6	04-007	4	Bearing Cup
7	04-008	2	Hub
-	05-148	10	Lug Nut
8	04-006	4	Seal
9	1608	4	Cotter Pin 1/8" x 2"
10	05-269	1	Spindle Assembly - Right
11	1607	2	Half Nut - 1/2" - 13
12	1606	2	Set Screw 1/2" - 13 x 1 - 1/4"
13	04-120	1	Ball Joint R.H.
14	1600	2	Cotter Pin 3/32" x 1"
15	1919	1	Jam Nut R.H. 5/8" - 18
16	05-473	1	Tie Rod - L.H. and R.H. Threads
17	13-760	1	Steering Cylinder (2" O.D.)
-	13-778	1	Cylinder Seal Kit
18	03-663	2	Fitting - 90°
19	04-012	1	Clamp Assembly
20	04-109	1	Ball Joint
21	1729	1	Nylon Halfnut 5/8" - 18
22	05-270	1	Spindle Assembly - Left
23	1773	2	Slotted Nut - 7/16" - 20
24	07-011	6	Shimwasher
25	05-154	4	Spacer
26	04-179	2	Seal
27	04-165	4	Bearing Cone
28	04-007	4	Bearing Cup

Item	Part #	No. Req'd.	Description
29	05-348	1	Rear Axle
30	05-290	1	Steering Cylinder Support
31	05-317	1	Axle Spacer
32	1203	1	Lockwasher 1/2"
33	1815	1	Bolt 1/2" - 13 x 3 1/4"
34	1030	4	Bolt - 3/8" - 16 x 3/4"
35	1202	4	Lockwasher - 3/8"
36	05-315	2	Steering Stop
37	1863	2	Cotter Pin - 1/8" x 1 1/2"
38	1500	3	Grease Fitting
39	07-011	2	Shimwasher
40	1213	8	Bolt 5/16" - 18 x 1"
41	1201	8	Lockwasher - 5/16"
42	05-316	2	Rear Axle Stop
43	1502	1	Grease Fitting - 90°
44	04-467	2	Bushing
45	05-349	1	Rear Yoke
46	1824	8	Bolt - 3/8" - 16 x 1 1/4"
47	1202	8	Lockwasher - 3/8"
48	1222	8	Flatwasher - 3/8"
49	05-174	1	Shim
50	05-318	1	Axle Pivot Pin
51	05-255	1	Bushing Retainer Plate
52	1231	2	Flatwasher - 1/2" SAE
53	1203	8	Lockwasher - 1/2"
54	1050	8	Bolt - 1/2" - 13 x 1"
55	1086	2	Bolt - 1/2" - 13 x 4"
56	1223	2	Flatwasher - 1/2"
57	05-107	1	Rear Weight
58	05-130	1	727 Rear Weight
59	1860	2	Bolt - 1/2" - 13 x 2" SHCS
60	2179	1	Jam Nut L.H. 5/8" - 18
61	04-338	1	Ball Joint L.H.
62	05-560	1	Bumper Assembly

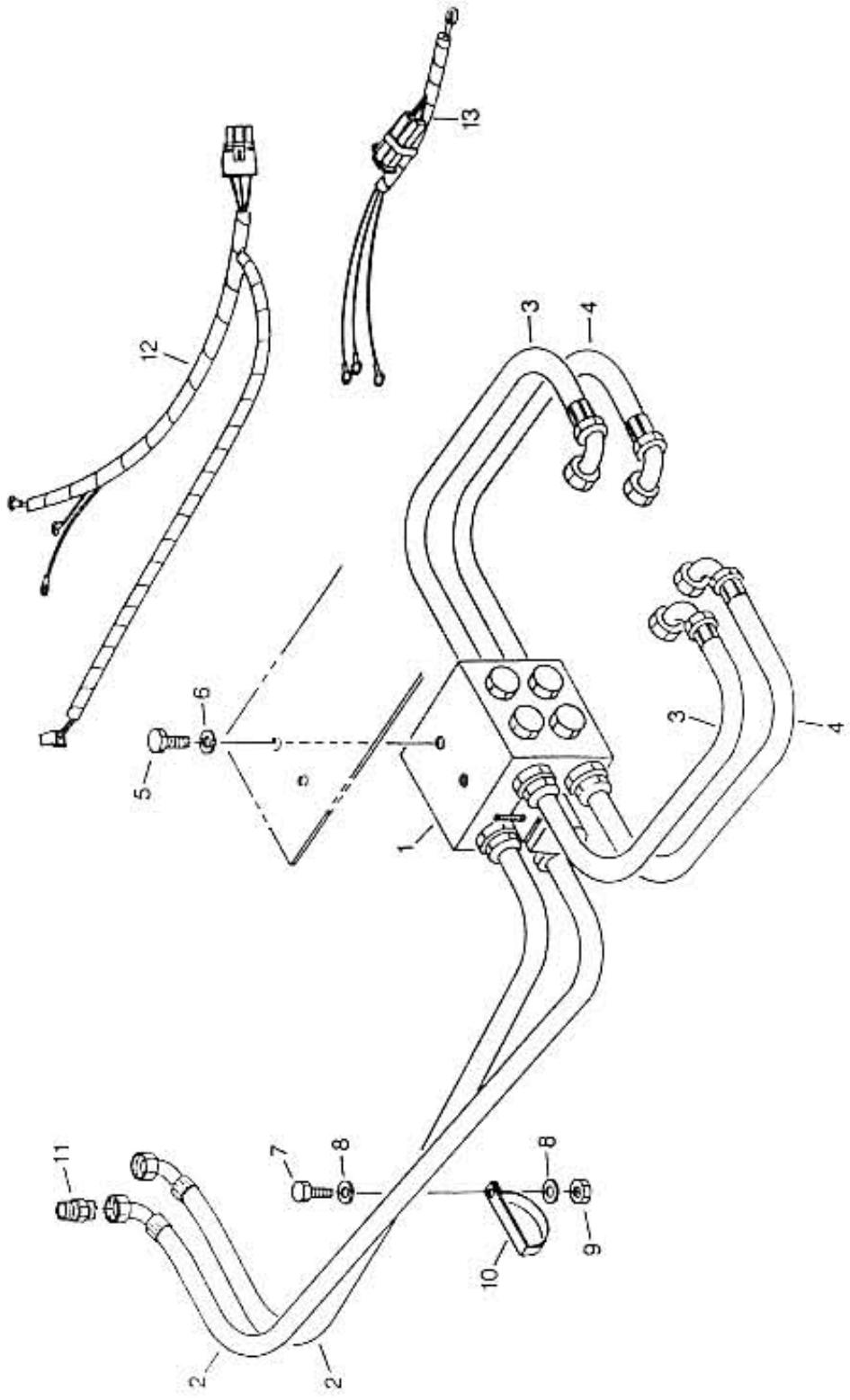


Item	Part #	No. Req'd.	Description	Item	Part #	No. Req'd.	Description
------	--------	------------	-------------	------	--------	------------	-------------

1	05-532	1	Axle Weldmont	15	05-602	10	Bolt Wheel
2	05-597	1	Spindle Assy. - R.H.	16	05-575	2	Wheel/Tire Assy.
3	05-598	1	Spindle Assy. - L.H.	—	05-612	1	Wheel Only
4	05-607	1	Tie Rod	17	05-609	1	Fitting - Straight
5	05-535	2	Clamp - Tube Support	18	1101	2	Hex Nut - 1/4" - 20
6	05-536	6	Snap Ring - 1 1/4" External	19	1200	2	Lockwasher - 1/4"
7	05-599	8	Washer Mashing Bushing	20	1010	2	Bolt 1/4" - 20 x 2 3/4"
8	05-538	2	Wheel Motor	21	1007	1	Bolt 1/4" - 20 x 2"
—	05-824	—	Seal Kit For # 05-538	22	1110	1	Locknut 1/4" - 20
9	1736	8	Bolt 1/2" - 13 x 1 1/2"	23	1600	2	Cotter Pin 3/32" x 1"
10	13-759	3	Fitting - Straight	24	1919	1	Jam Nut - R.H. 5/8" - 18
11	05-600	2	Hose Bracket	—	2179	1	Jam Nut - L.H. 5/8" - 18
12	1773	2	Slotted Nut 7/16" - 20	25	04-120	1	Ball Joint - R.H.
13	05-601	2	Thrust Washer	—	04-338	1	Ball Joint - L.H.
14	05-543	2	Hub				

NOT SHOWN

13-760	1	Steering Cylinder (2" O.D.)
13-778	1	Cylinder Seal Kit



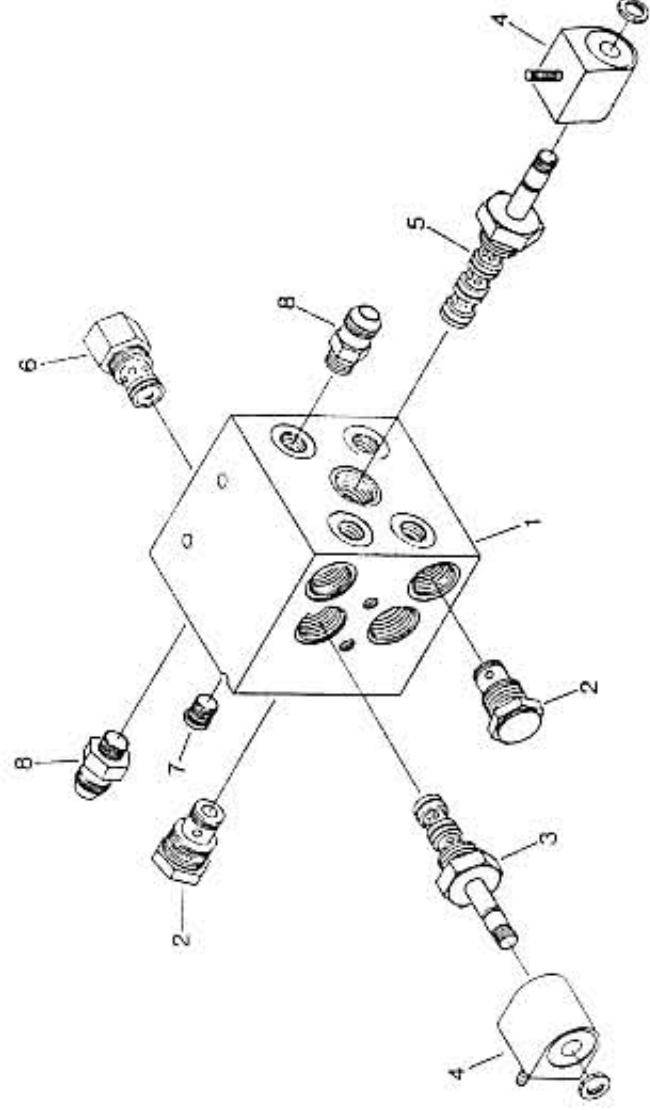
←
FORWARD

Item	Part #	No. Req'd.	Description
1	05-603	1	Valve
2	13-872	2	Hose - 41"
3	05-605	2	Hose - 33.5"
4	05-606	2	Hose - 35"
5	1213	2	Bolt 5/16" - 18 x 1"
6	1201	2	Lockwasher - 5/16"
7	1003	1	Bolt 1/4" - 20 x 1"

Item	Part #	No. Req'd.	Description
8	1220	2	Flatwasher - 1/4"
9	1110	1	Locknut 1/4" - 20
10	04-141	1	Hose Clamp
11	03-072	2	Fitting - Straight
12	02-368	1	Wire Harness - 4WD
13	02-391	1	Wire Harness - 4WD Diode Patch

4WD - VALVE MANIFOLD ASSEMBLY

00-489 12/95 48



Complete Assembly:
05-603

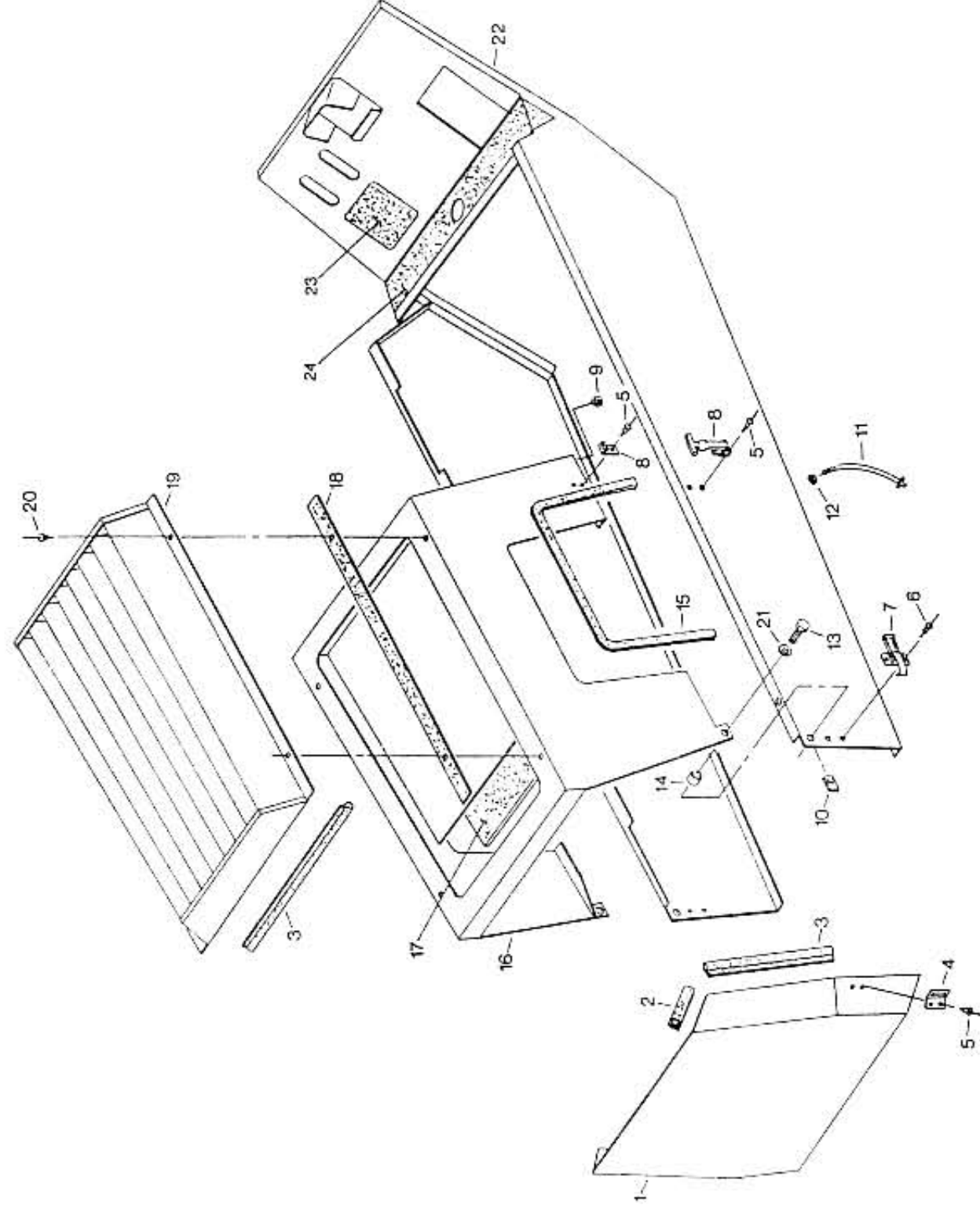


Item	Part #	No. Req'd.	Description
1	1539018	1	Manifold - Traction Select
2	3931339	4	Check Valve
3	3935000	2	Valve - Solenoid
4	3193101	3	Coil

Item	Part #	No. Req'd.	Description
5	3935001	1	Valve - Solenoid
6	3933003	4	Valve - Flow Control
7	3367345	2	Plug
8	3300439	6	Fitting - Straight

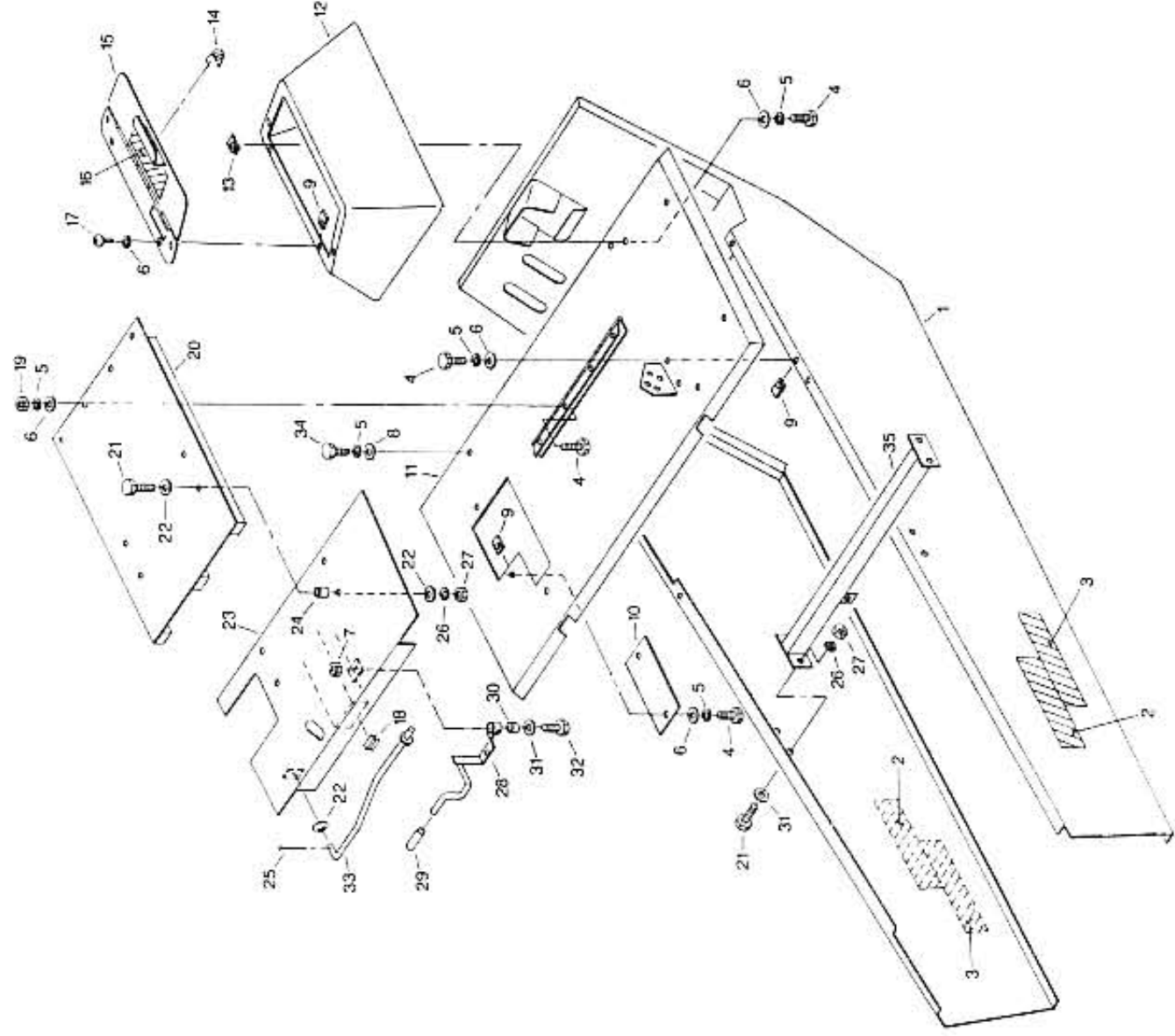
ENGINE HOOD & AIR INTAKE SCREEN

00-489 12/95 50



Item	Part #	No. Req'd.	Description
1	05-246	1	Cover - Rear
2	05-104	1	Trim Seal - Side (12")
3	05-179	1	Trim Seal - Edge (72")
4	05-137	2	Latch Striker
5	1779	12	Pop Rivet 1/8" x 1/4"
6	1893	4	Pop Rivet 3/16" x 1/4"
7	05-136	2	Toggle Latch
8	05-084	2	Rubber Catch w/Keeper
9	05-138	2	Rubber Bumper
10	1732	2	"U" Nut 1/4" - 20
11	05-256	2	Hood Restraint
12	1801	2	Locknut 1/4" - 20 ESNA

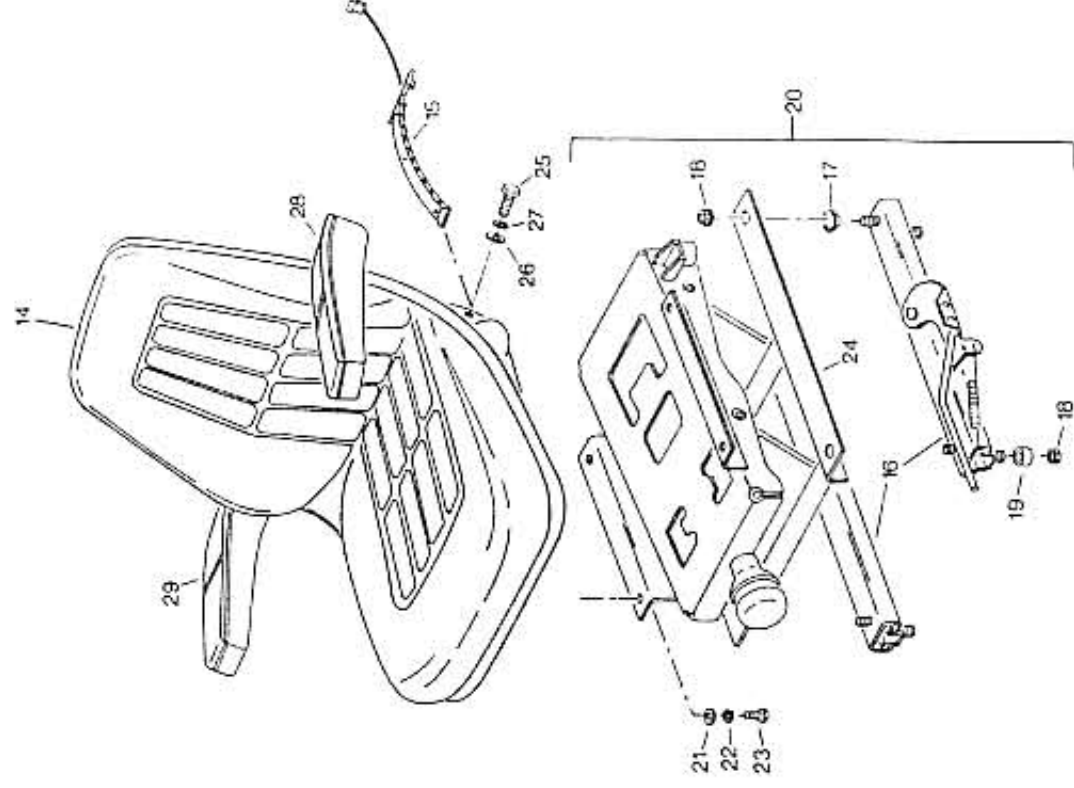
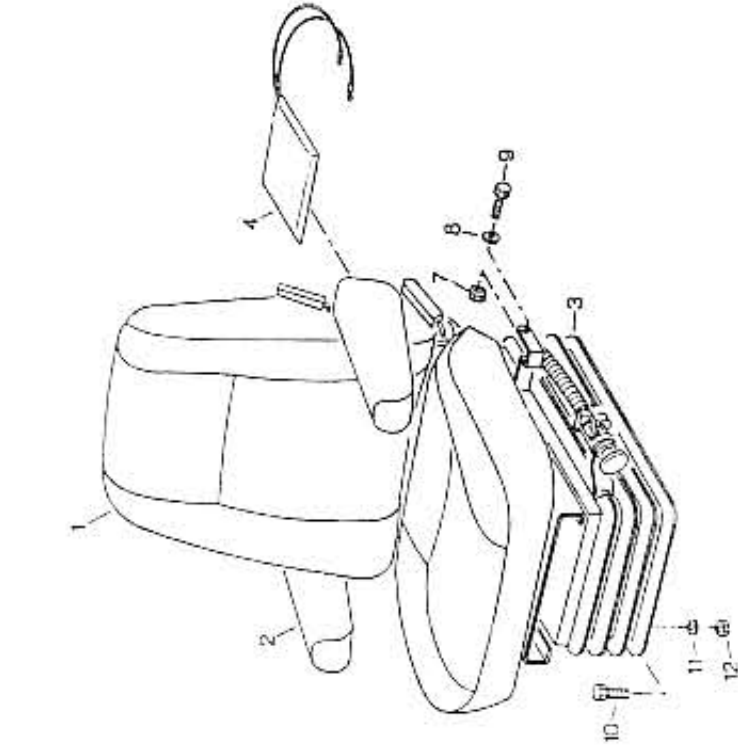
Item	Part #	No. Req'd.	Description
13	1000	2	Bolt 1/4" - 20 x 3/4"
14	08-227	2	Bushing - Hood Pivot
15	04-059	1	Trim - Edge (96")
16	05-247	1	Hood Assembly
17	05-354	1	Sound Absorption Material
18	00-083	1	Weatherstrip 1/8" x 1" (144")
19	05-199	1	Screen Assembly - Top
20	1814	4	Pop Rivet 3/16 x 1/2"
21	1056	2	Flatwasher 1/4" SAE
22	05-639	1	Frame Assembly
23	00-047	1	Anti Skid Floor
24	00-051	1	Anti Skid Floor



FORWARD

Item	Part #	No. Req'd.	Description
1	05-639	1	Frame Assy.
2	00-035	2	Decal "Turblazer"
3	00-034	2	Decal "727 Diesel"
4	00-163	2	Decal "1260 Diesel"
5	1003	15	Bolt 1/4" - 20 x 1"
6	1200	15	Lockwasher 1/4"
7	1220	16	Flatwasher 1/4"
8	1111	1	Locknut 5/16" - 18
9	1819	3	Fenderwasher 1/4"
10	1732	11	"U" Nut 1/4" - 20
11	05-335	1	Cover Plate
12	05-591	1	Fender Assy.
13	05-581	1	Box Assy. Glove Comp.
14	2176	4	Cage Nut 1/4" - 20
15	06-441	1	Spring
16	05-582	1	Lid Assy. - Glove Box
17	00-605	1	Decal "Pedal"
	1951	4	Phil. Mach. Screw 1/4" - 20 x 3/4"

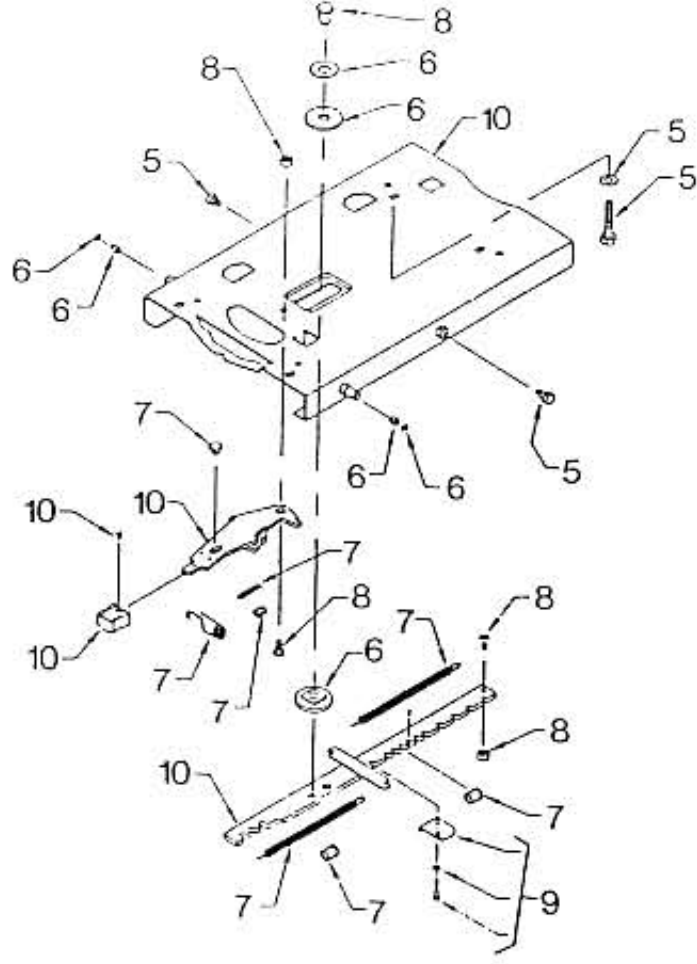
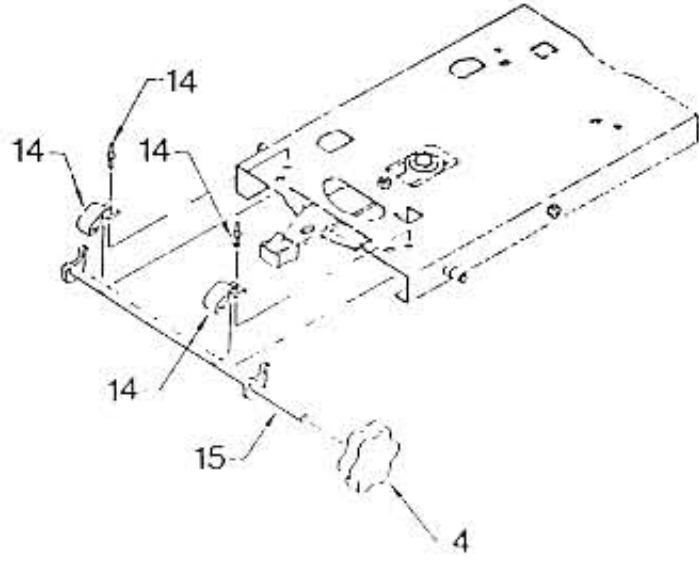
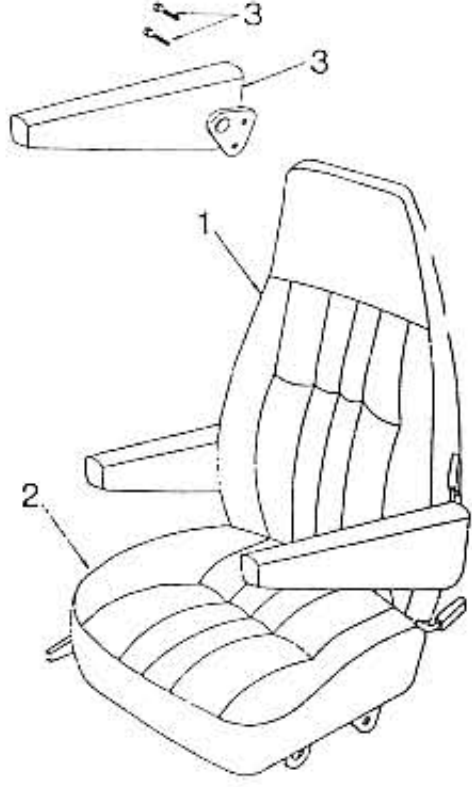
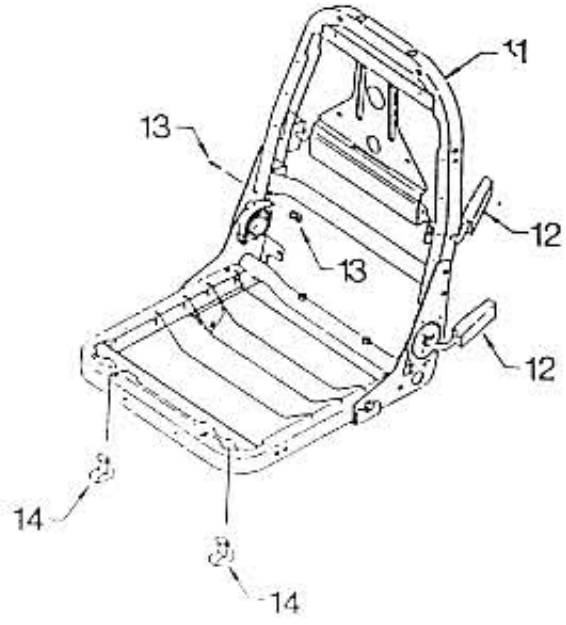
Item	Part #	No. Req'd.	Description
18	2157	1	Clip
19	1101	4	Nut 1/4" - 20
20	05-513	1	Base Assy. - Seat
21	1213	8	Bolt 5/16" - 18 x 1"
22	2044	9	Flatwasher 5/16" SAE
23	05-557	1	Access Cover Assy.
24	05-552	4	Spacer - Seat Plate
25	2075	1	Cotter Pin 3/32" x 1/2"
26	1201	8	Lockwasher 5/16"
27	1102	8	Nut 5/16" - 18
28	05-558	1	Lever Assy. - Access Release
29	06-062A	1	Grip - Rubber
30	05-519	1	Spacer
31	1221	5	Flatwasher 5/16"
32	1022	1	Bolt 5/16" - 18 x 1 1/4"
33	05-505	1	Rod Assy. Access Cover
34	1000	3	Bolt 1/4" - 20 x 3/4"
35	05-062	1	Brace - Frame



Complete Seat Assembly
Air Seat - # 05-458
Milisco Deluxe Seat - # 05-437

Item	Part #	No. Req'd.	Description
1	04-405	1	Air Seat Cushion Assy.
2	04-284	1	Armrest Kit - R.H. & L.H.
3	04-285	1	Suspension Cover
4	02-371	1	Seat Switch (w/o connector)
-	02-394	1	Seat Switch (w/connector)
5	02-370	1	Harness (Air Seat)
-	02-369	1	Harness (Milisco/Deluxe Seat)
6	02-364	1	Harness - Instrument Panel
7	1112	2	Locknut 3/8" - 16
8	1222	2	Flatwasher 3/8"
9	1030	2	Bolt 3/8" - 16 x 3/4"
10	1213	4	Bolt 5/16" - 18 x 1" Gr. 5
11	1201	4	Lockwasher 5/16"
12	1102	4	Nut 5/16" - 18
13	04-049	1	Seat Belt Assy.
14	05-431	1	Milisco/Deluxe Seat Cushion Assy.

Item	Part #	No. Req'd.	Description
15	02-358	1	Seat Switch
16	05-545	1	Adjusters
17	05-547	4	Spacer
18	1111	8	Locknut 5/16" - 18
19	09-100	4	Spacer
20	05-432	1	Suspension Assy.
21	2044	4	Flatwasher 5/16" SAE
22	1201	4	Lockwasher 5/16"
23	1020	4	Bolt 5/16" - 18 x 3/4"
24	05-432	1	Suspension W/ Adjusters
25	1749	2	Bolt 7/16" - 20 x 1" Gr. 5
26	1219	2	Flatwasher 7/16"
27	1204	2	Lockwasher 7/16"
28	05-658	1	Armrest Assy. - L.H.
29	05-659	1	Armrest Assy. - R.H.

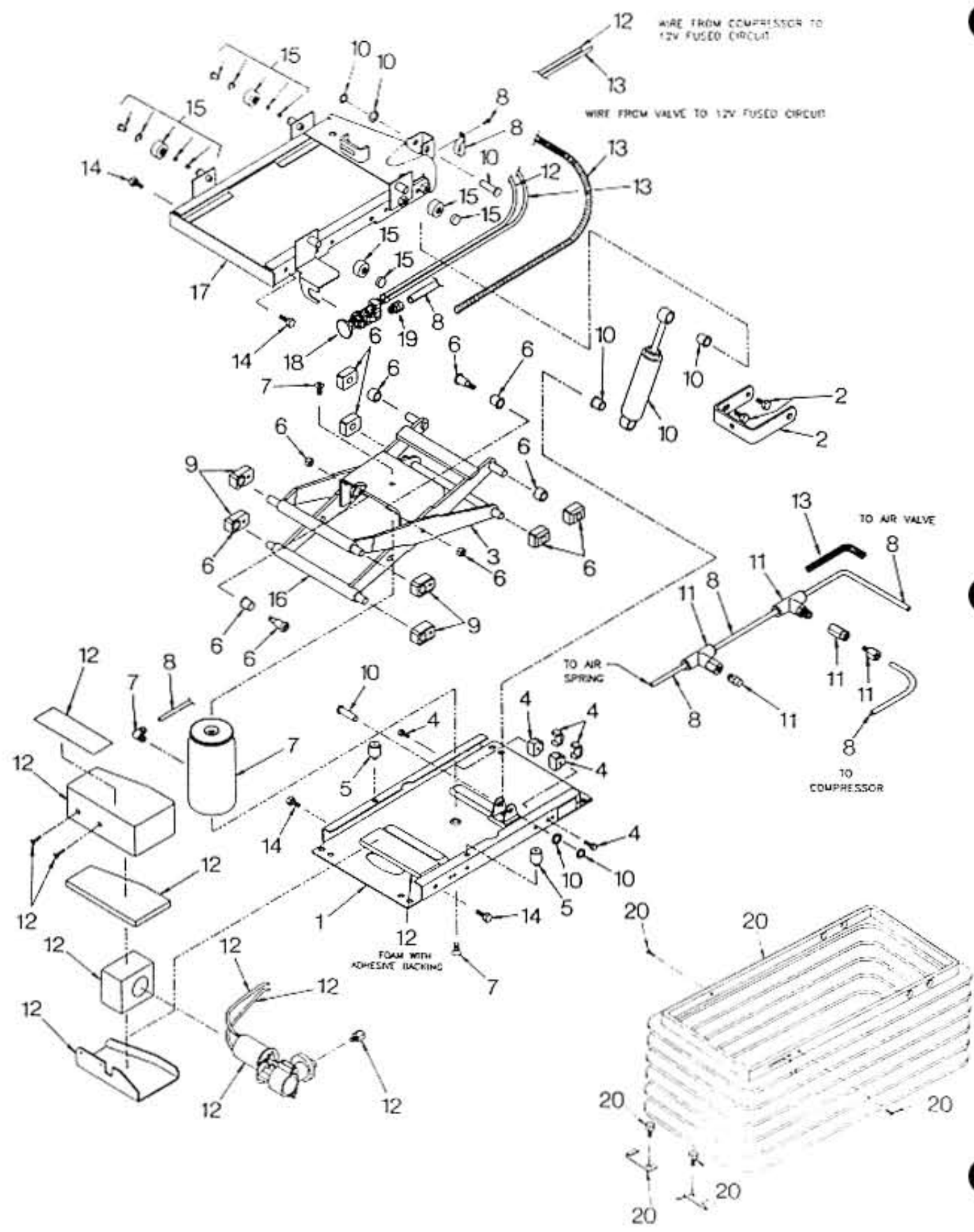


Item Part # No. Req'd. Description

1	04-408	1	Seat Back Cover & Pad
2	04-409	1	Seat Cover & Pad
3	04-284	1	Kit - Armrest R.H. & L.H.
4	04-421	1	Knob
5	04-410	1	Kit - Seat Mounting
6	04-411	1	Kit - Bumper & Bushings
7	04-412	1	Kit - Springs
8	04-413	1	Kit - Fasteners

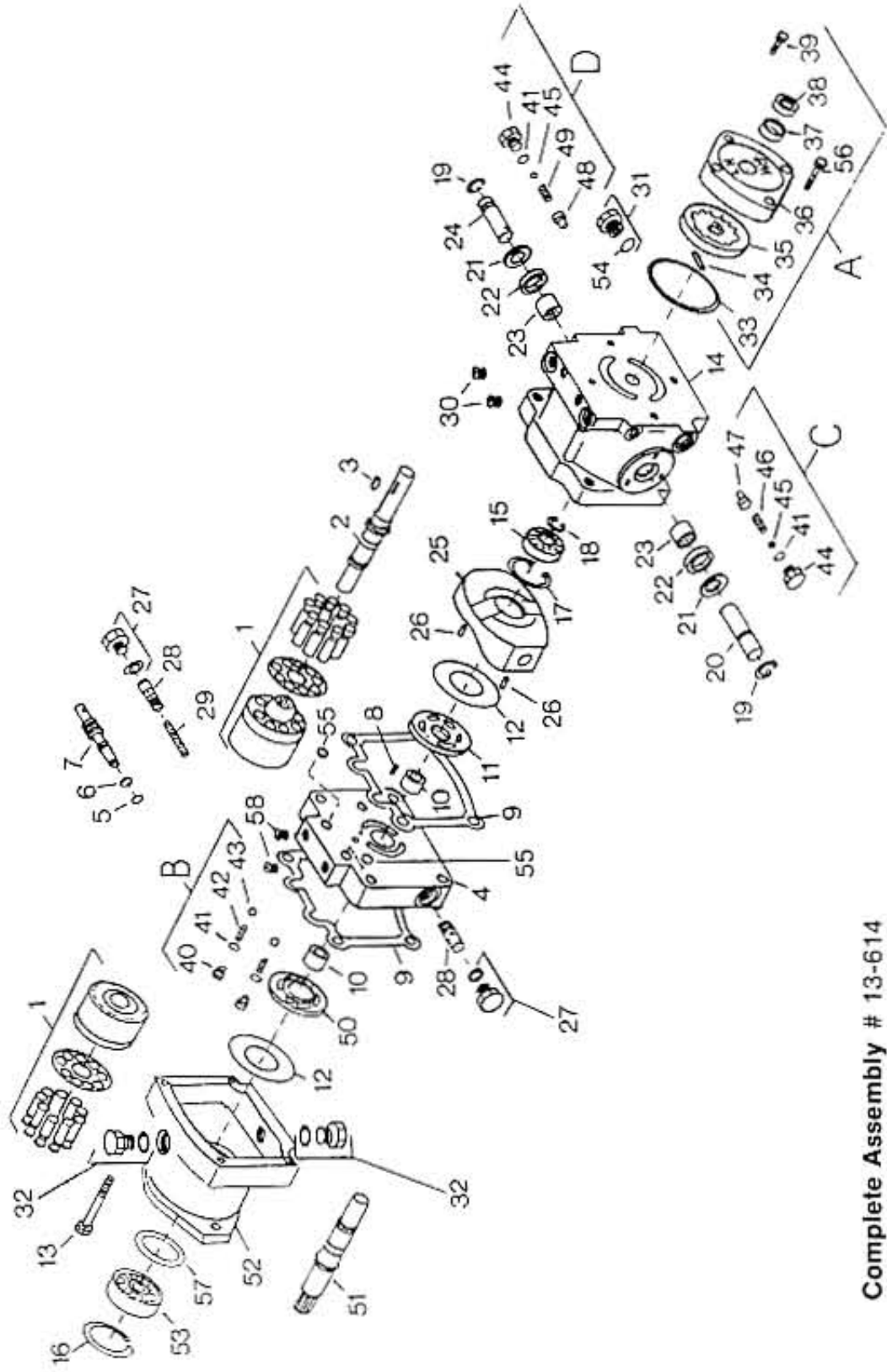
Item Part # No. Req'd. Description

9	04-414	1	Kit - Restriction
10	04-415	1	Kit - Adjust
11	04-416	1	Frame Assembly
12	04-417	2	Handle
13	04-418	2	Kit - Back Restriction
14	04-419	1	Kit - Cam Shaft Bracket & Block
15	04-420	1	Tilt Rod Assembly



Item	Part #	No. Req'd.	Description
1	04-425	1	Base Assembly
2	04-426	1	Kit - ICP Bracket
3	04-441	1	Lever Assy. - Outer
4	04-428	1	Kit - Stop Blocks
5	04-429	1	Kit - Bumper Top & Bottom
6	04-427	1	Kit - Suspension Bearing
7	04-430	1	Kit - Air Springs Assembly
8	04-431	1	Kit - Tubing
9	04-432	1	Bearing Block Assy.
10	04-433	1	Kit - Damper
11	04-442	1	Kit - Valve And Fitting

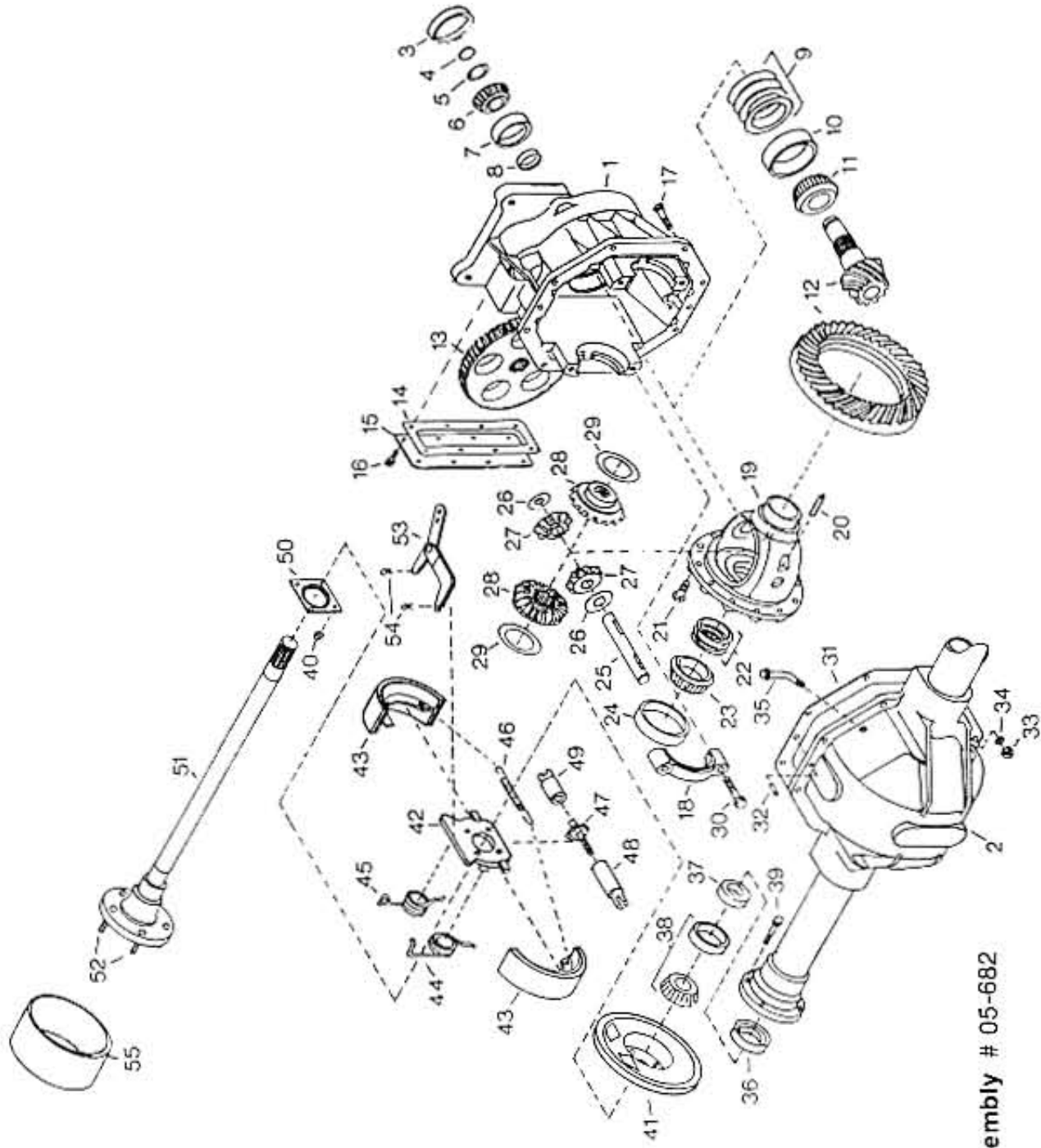
Item	Part #	No. Req'd.	Description
12	04-435	1	Kit - Compressor Assy.
13	04-436	1	Compressor/Motor Assy.
14	04-437	1	Kit - Wire Assy.
15	2186	1	Bolt 5/16" - 20 x 3/4" CL 8.8
16	04-438	1	Kit - Fore & Aft Roller Assy.
17	04-439	1	Lever Assy. - Inner
18	04-440	1	Upper Plate Assembly
19	06-376	1	Switch - Seat Valve
20	13-561	1	Fitting - Male Connector
20	04-285	1	Kit - Suspension Cover



Complete Assembly # 13-614

Item	Part #	No. Req'd.	Description
1	6518	2	Cylinder Block Kit
-	23-020	1	Ring
-	23-019	9	Piston
2	6601	1	Pump Shaft
3	6602	1	Woodruff Key
4	13-950	1	Center Section
5	6604	1	"O" Ring
6	6605	1	Ring
7	6606	1	Bypass Valve
8	6521	2	Straight Pin
9	6608-A	2	Gasket
10	6520-A	2	Roller Bearing
11	6610	1	Pump Valve Plate
12	6611	2	Thrust Plate
13	6612	4	Bolt
14	6613	1	Pump Housing
15	6614	1	Ball Bearing
16	6615	1	Retaining Ring
17	6616	1	Retaining Ring
18	6617	1	Retaining Ring
19	6501	2	Retaining Ring
20	6623	1	Trunnion Shaft
21	6504	2	Washer
22	6505	2	Lip Seal
23	13-723	2	Bushings
24	6502	1	Trunnion Shaft
25	6624	1	Swashplate
26	6513	3	Spring Pin
27	6626	2	Plug
28	6627	2	Accel. Valve
29	6629	1	Accel. Spring
30	6522	2	Pipe Plug
31	6631	1	Plug

Item	Part #	No. Req'd.	Description
32	03-790	2	Fitting
33	6632	1	"O" Ring
34	6633	1	Straight Pin
35	6634	1	Gerotor Assembly
36	6635	1	Charge Pump Housing
37	6636	1	Needle Bearing
38	6637	1	Lip Seal
39	6638	2	Bolt
40	6639	2	Check Valve Plug
41	6524	4	"O" Ring
42	6641	2	Check Valve Spring
43	6642	2	Ball
44	6643	2	Plug
45	6525	4	Shim Pack
46	6526	1	Check Release Valve Spring
47	6647	1	Check Release Valve Cone
48	6648	1	Imp. Release Valve Cone
49	6532	1	Imp. Release Valve Spring
50	6653	1	Motor Valve Plate
51	6654	1	Motor Shaft-Splined
52	6655	1	Motor Housing
53	6656	1	Ball Bearing
54	6530	1	Back-Up Ring
55	23-012	2	"O" Ring
56	1019	2	Bolt 1/4" - 20 x 1 3/4" Gr. 5
57	03-235	1	"O" Ring
58	13-949	4	Plug
A.	6089	-	Kit - Charge Pump
B.	6088	-	Kit - Check Valve
C.	6128	-	Kit - Relief Valve
D.	6129	-	Kit - Relief Valve
NOT SHOWN			
-	6525	-	Shim Kit



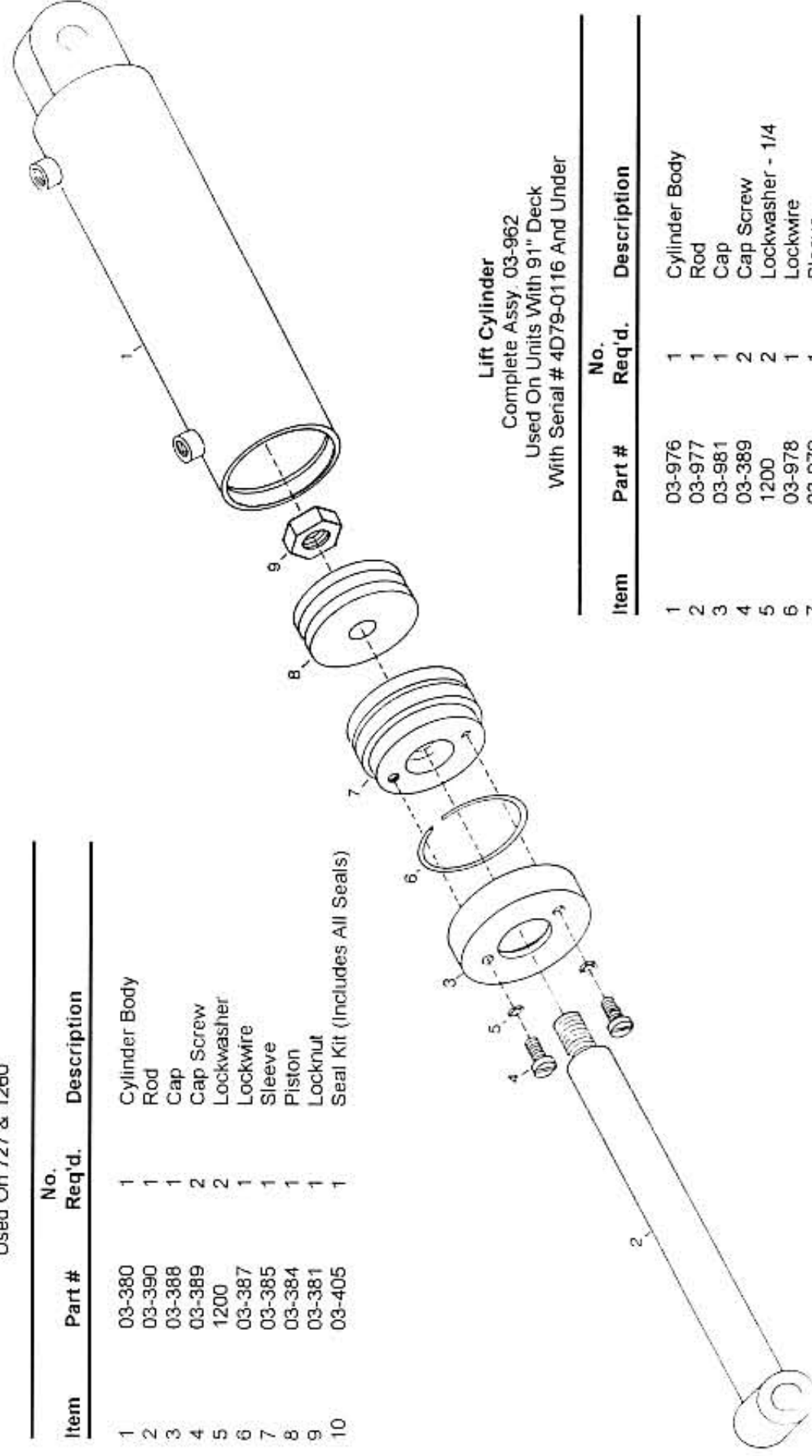
Complete Assembly # 05-682

Item	Part #	No. Req'd.	Description
1*	05-683	1	Upper Housing
2	6101	1	Lower Housing & Tube Assembly
3*	6029	1	Plug
4*	6554	1	Retaining Ring
5*	6555	1	Shimwasher
6*	6556	1	Bearing Cone
7*	6105	1	Bearing Cup
8*	6050	1	Spacer
9*	6557	set	Shim
10*	6558	1	Bearing Cup
11*	6559	1	Bearing Cone
12*	6560	1	Pinion/Gear Assembly
13*	6110	1	Spur Gear
14*	6020A	1	Gasket
15*	6066	1	Cover
16*	6069	8	Bolt
17*	1023	8	Bolt 5/16" - 18 x 1 1/2"
18*	6068	2	Cap
19*	6037	1	Differential Case
20*	6043	1	Pin
21	6038	10	Bolt
22*	6036	set	Shim
23*	6111	2	Bearing Cone
24*	6112	2	Bearing Cup
25*	6065	1	Shaft
26*	6041	2	Thrust Washer
27*	6042	2	Gear
28*	6113	2	Gear

Item	Part #	No. Req'd.	Description
29*	6039	2	Thrust Washer
30*	6067	4	Bolt
31	6020	1	Gasket
32	6021	2	Pin
33	1102	8	Hex Nut - 5/16" - 18
34	1201	8	Lockwasher - 5/16"
35	6019	1	Vent Tube Assembly
36	6008	2	Seal
37	6114	2	Bearing Retainer
38	6007	2	Bearing Set
39	6083	8	Bolt
40	2069	8	Spin - Locknut
41	6115	2	Dust Cover
42	6116	2	Brake Mounting Plate
43	6117	4	Brake Shoe
44	6118	2	Spring - Right
45	6119	2	Spring - Left
46	6120	2	Spring - Lower
47	6121	2	Star Wheel
48	6122	2	Adj. Tube
49	6123	2	Tube
50	6124	2	Seal Plate
51	6125	2	Axle
52	6070	10	Lug Bolt
53	6126	2	Brake Lever Assembly
54	6127	4	Lever Ret. Clip
55	05-088	2	Brake Drum

* Items Included in Third Member Kit 05-684

Lift Cylinder
Complete Assy. 03-667
Used On 727 & 1260

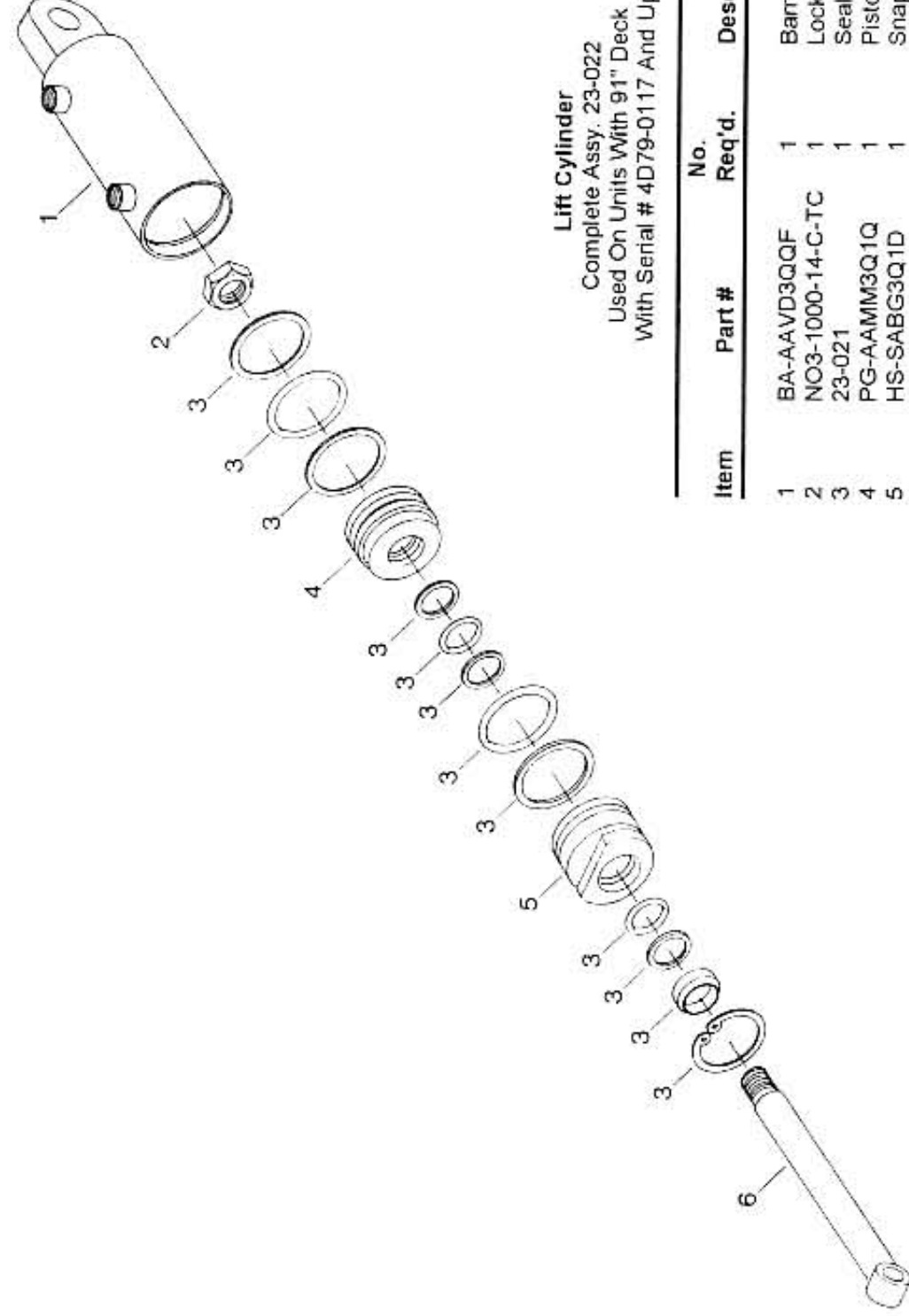


Item	Part #	No. Req'd.	Description
1	03-380	1	Cylinder Body
2	03-390	1	Rod
3	03-388	1	Cap
4	03-389	2	Cap Screw
5	1200	2	Lockwasher
6	03-387	1	Lockwire
7	03-385	1	Sleeve
8	03-384	1	Piston
9	03-381	1	Locknut
10	03-405	1	Seal Kit (Includes All Seals)

Lift Cylinder
Complete Assy. 03-962
Used On Units With 91" Deck
With Serial # 4D79-0116 And Under

Item	Part #	No. Req'd.	Description
1	03-976	1	Cylinder Body
2	03-977	1	Rod
3	03-981	1	Cap
4	03-389	2	Cap Screw
5	1200	2	Lockwasher - 1/4
6	03-978	1	Lockwire
7	03-979	1	Sleeve
8	03-980	1	Piston
9	03-381	1	Locknut
-	03-963	1	Seal Kit (Includes All Seals)

FRONT LIFT CYLINDER ASSEMBLY (Cont.)



Lift Cylinder
Complete Assy. 23-022
Used On Units With 91" Deck
With Serial # 4D79-0117 And Up

Item	Part #	No. Req'd.	Description
1	BA-AAVD3QQF	1	Barrel Assy.
2	NO3-1000-14-C-TC	1	Lock Nut
3	23-021	1	Seal Kit
4	PG-AAMM3Q1Q	1	Piston
5	HS-SABG3Q1D	1	Snap Ring Head
6	RA-AATG1D1Q	1	Rod Assy.