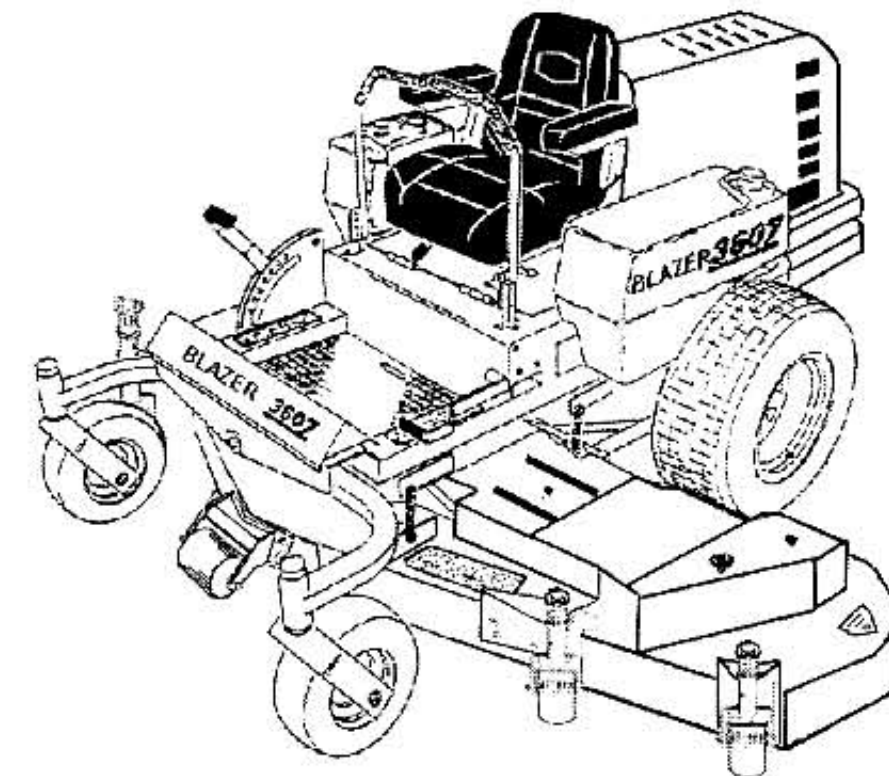




18155 Edison Avenue Chesterfield, Mo. 63005

360Z



PARTS MANUAL for MODELS:

TRACTION UNITS

360Z-27 KAW LC
360Z-29 KAW LC
360Z-29 KAW LC - 80

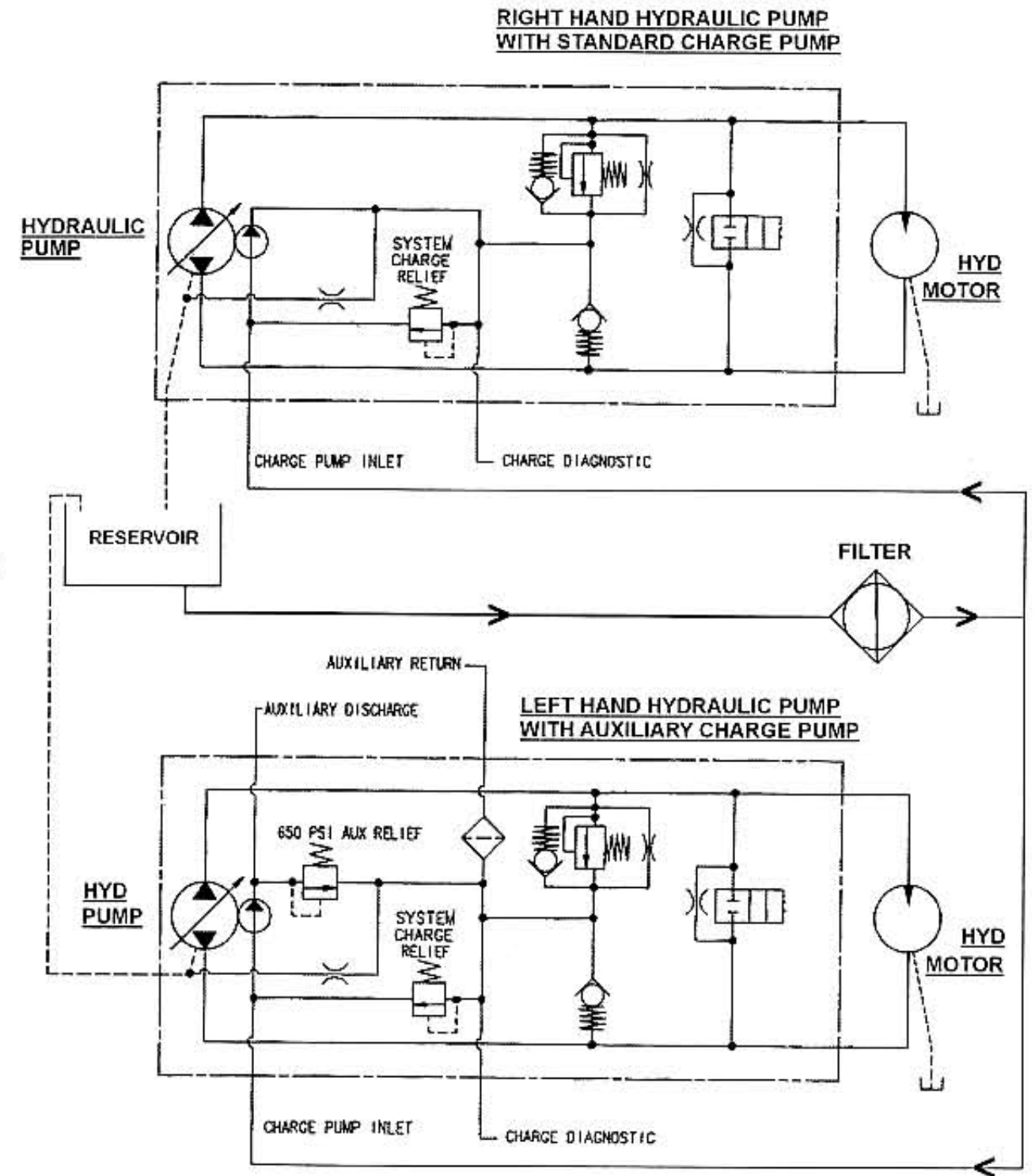
CUTTING UNITS

60" or 72"
60" or 72" or 80"
60" or 72" or 80"

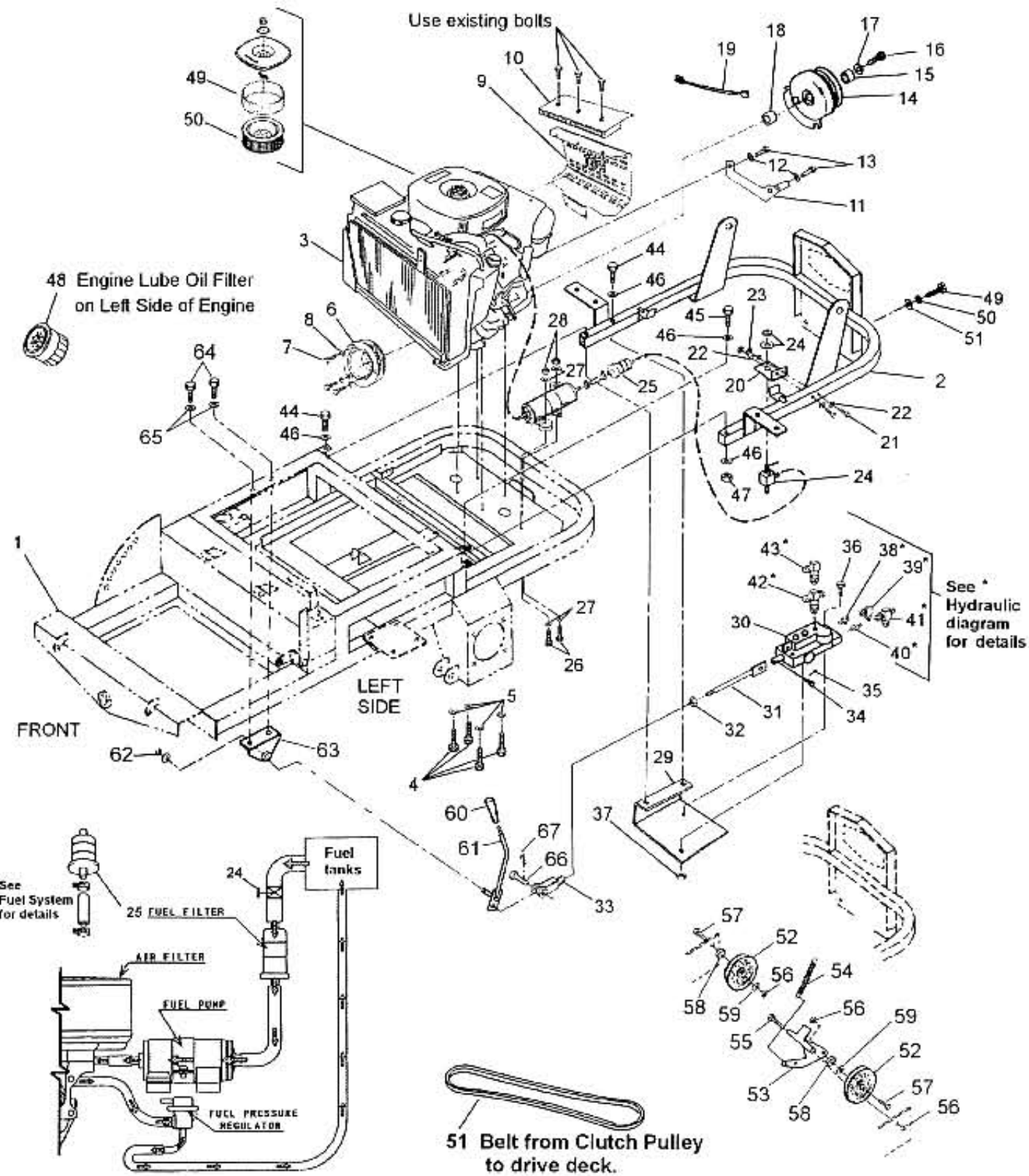
INDEX

HYDRAULIC SCHEMATIC	3
ELECTRICAL SCHEMATIC - KAWASAKI 27 HP	4
ELECTRICAL SCHEMATIC - KAWASAKI 29 HP	5
ENGINE ASSEMBLY	6
SEAT & FOOT REST ASSEMBLY	8
FRONT AXLE & CASTER ASSEMBLY	10
DRIVE WHEEL & BRAKE LINKAGE	12
DRIVE PUMP CONTROLS & LINKAGE	14
HYDRAULIC DRIVE CIRCUIT	16
FUEL SYSTEM	18
DASH AND WIRE HARNESS ASSEMBLY	20
BATTERY ASSEMBLY	22
DECALS AND ANTI SLIP MATERIAL	24
WHEEL MOTOR ASSEMBLY	26
PUMP ASSEMBLY	28
DECK LIFT ASSEMBLY	30
60" CUTTING DECK ASSEMBLY	32
72" CUTTING DECK ASSEMBLY	34
80" CUTTING DECK ASSEMBLY	36

HYDRAULIC SCHEMATIC



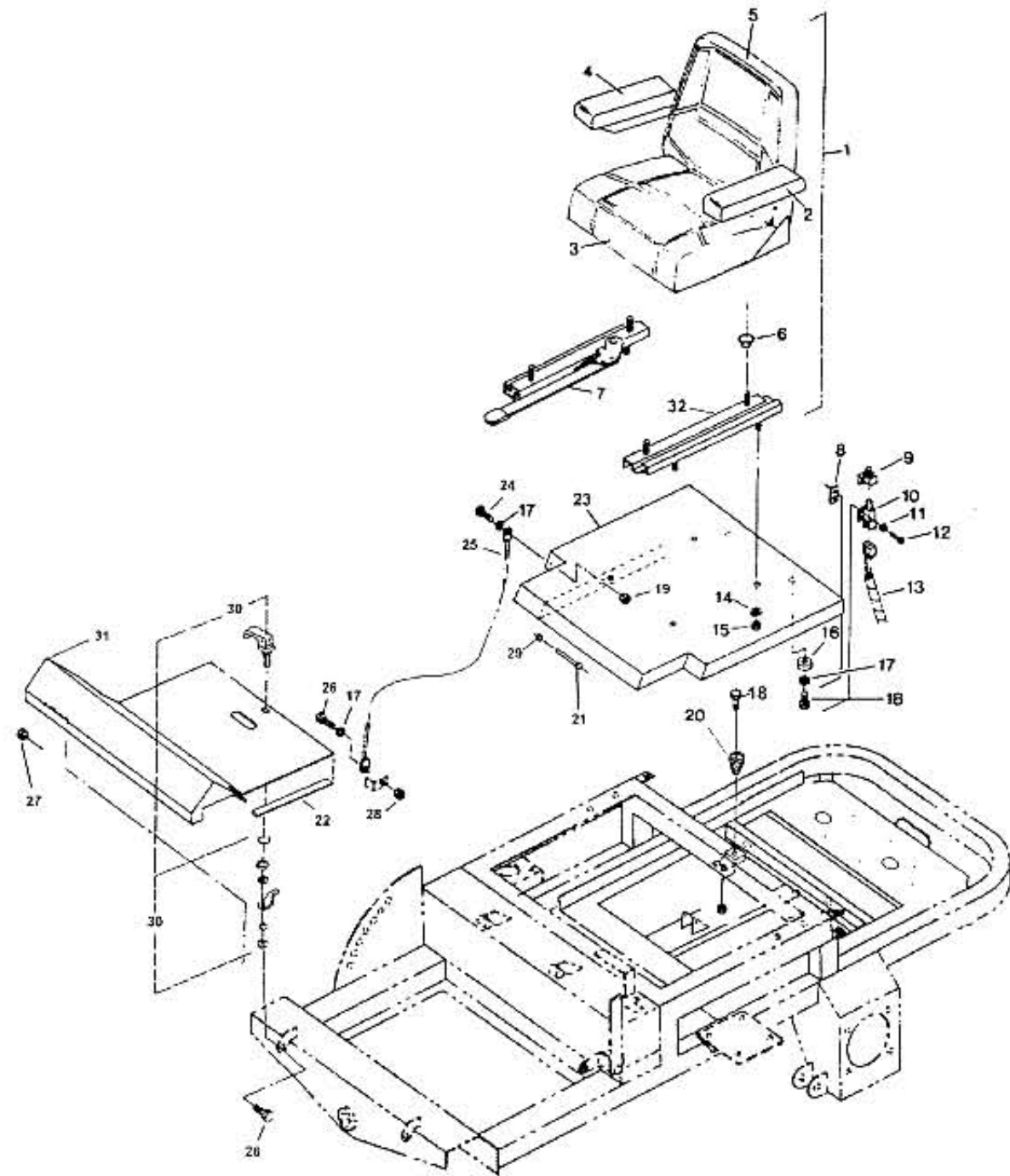
ENGINE ASSEMBLY



Item	Part#	Qty.	Description
1	21-000	1	Welded Frame Assembly
2	21-060	1	Bumper Assembly - Rear
3	21-067	1	Engine, 27 H.P.KAW LC
-	21-045	1	Engine, 29 H.P.KAW LC
-	21-045	1	Engine, 29 H.P.KAW LC - 80
4	1990	4	Bolt 10mm - 1.5 X 25mm HHCS
5	1996	4	Lock Washer 10mm
6	20-760	1	Pulley, Eng
7	2253	3	Bolt, 8mm -1.25 x 80mm
8	1201	3	Lock Washer 5/16"
9	20-790	1	Heat Shield
10	21-178	1	Shield Assy
11	20-817	1	Brkt - Clutch
12	1996	2	Lock Washer -10mm
13	1990	2	Bolt, 10mm - 1.5 x 25mm
14	20-002	1	Clutch, Electric. 360Z
15	20-824	1	Spacer, Clutch
16	---	1	Use Bolt Supplied with Engine
17	---	1	Use Washer Supplied with Engine
18	20-160	1	Spacer, Eng
19	02-473	1	Pigtail, Electric
20	21-069	1	Bracket, Fuel
21	1005	2	1/4"-20 x 1-1/2" Bolt
22	1056	4	1/4" SAE Flat Washer
23	1110	2	Lock Nut 1/4"-20
24	21-071	1	Fuel Valve
25	49019-1055	1	KAW# Fuel Filter
26	2381	2	Bolt 6mm x 30
27	1220	4	Washer
28	2382	2	Nut 6mm
29	20-936	1	Support, Control Valve
30	03-447	1	Lift Valve, Single
31	20-736	1	Rod Assy, Control Valve
32	2092	1	Jam Nut, 5/16" - 24
33	09-148	1	Clevis
34	2064	1	Pin 5/16" x 0.94 Clevis Plated
35	2272	1	Pin 3/8" Rue Pin
36	1007	2	Bolt, 1/4" - 20 HHCS
37	1110	2	Lock Nut 1/4"-20
38	13-323	1	Fitting
39	13-593	1	Fitting
40	03-076	1	Fitting - Straight
41	13-477	1	Fitting
42	03-455	1	Fitting 6803-6-6-6
43	03-663	1	Fitting, 90 Degree
44	1036	3	Bolt, 3/8"-16 x 2-1/4"
45	---	1	KAW Engine Maintenance Manual
46	1202	3	Lock Washer 3/8"
47	1112A	1	Lock Nut 3/8"-16, Gr 5
48	49065-2082	1	KAW# Filter - Oil
49	11013-2187	1	KAW# Element - Air Filter
50	11013-2186	1	KAW# Element - Air Filter
51	21-108	1	Belt - Eng to Deck (See Deck Pages)
52	21-052	2	Pulley Deck Idler

Item	Part#	Qty.	Description
53	21-160	1	Lever Belt Tightner
54	4114	1	Extension Spring 5"
55	2379	1	Bolt 1/2"-13 x 8" Plated
56	1747	3	Nut, 1/2"-13 Center Locknut
57	1965	2	Bolt, 1/2"-13 x 2" HHCS
58	21-158	2	Spacer, Idler Pulley
59	1223	2	Washer 1/2" Flatwasher
60	08-179	1	Knob - Handle
61	20-742	1	Handle Assy
62	2197	1	"E" Clip
63	20-764	1	Support Assy - Valve Handle
64	1020	2	5/16"-18 x 3/4" Bolt
65	1201	2	5/16" Lockwasher
66	2064	1	Pin 5/16" x .94 Clevis Pin
67	09-082	1	Pin 5/16" RUE

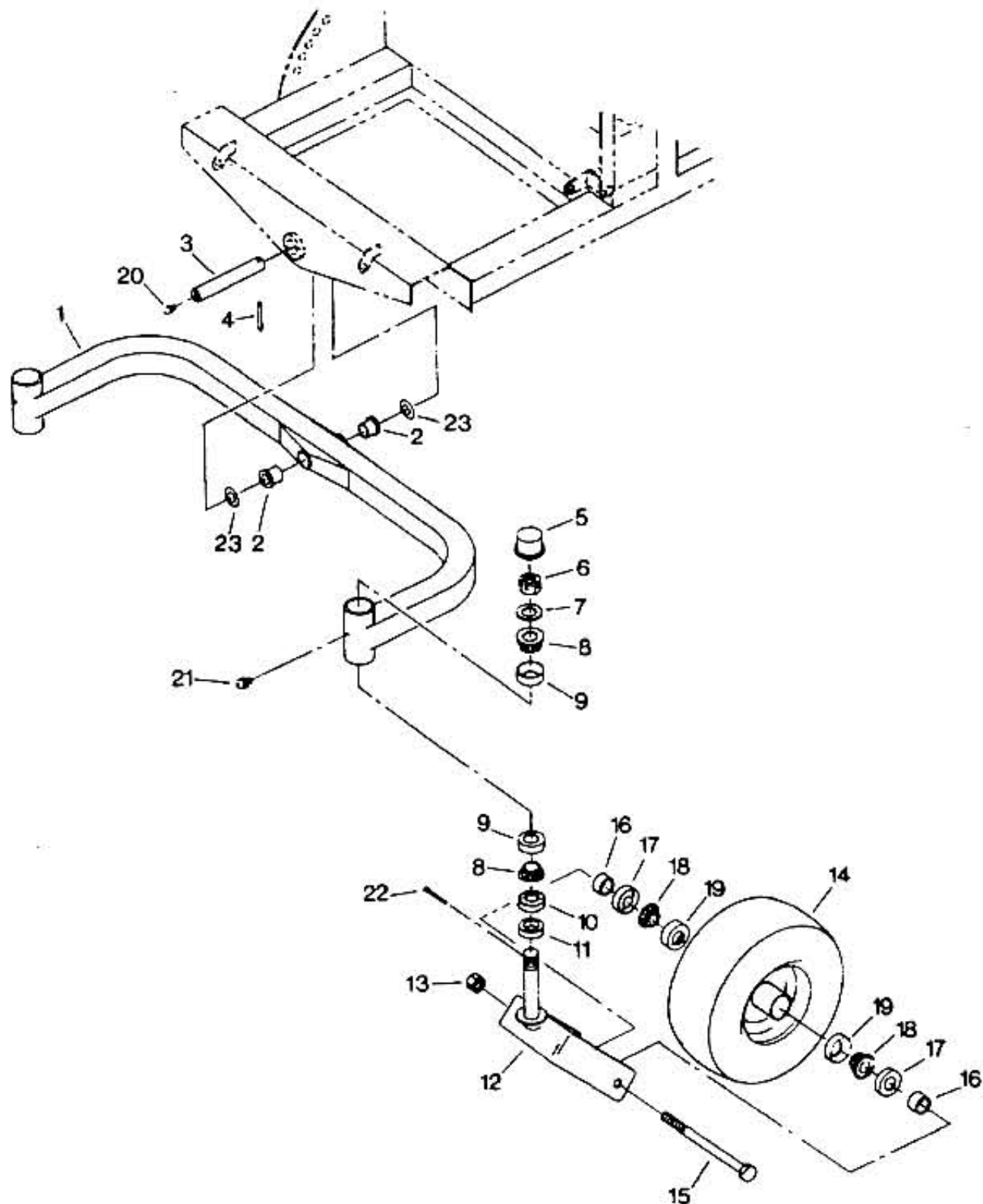
SEAT & FOOT REST ASSEMBLY



Item	Part#	Qty.	Description
	20-000	1	Seat Assembly
	20-661	1	Deluxe Seat w/suspension
	21-062	1	Seat Ass'y
2	20-282	1	Arm Pad -L.H.
3	20-798	1	Seat Cushion.
4	20-283	1	Arm Pad -R.H.
5	20-797	1	Cushion - Back
6	20-288	4	Bell Spacer
7	20-281	1	Adjuster - Locking
8	20-199	1	Bracket - Switch
9	02-292	1	Protective Cover
10	09-058	1	Safety Switch
11	1924	2	Star Washer #10
12	1781	2	Screw 10-32 x 3/4" PH
13	02-534	1	Wire Harness - 29 H.P.
---	02-535	1	Wire Harness - 27 H.P.
14	1201	2	Lock Washer 5/16"
15	1111	4	Lock Nut 5/16" - 18
16	20-006	2	Rubber Bumper
17	1222	2	Flat Washer 3/8"
18	1020	3	Bolt 5/16" - 18 x 3/4"
19	1112	2	Lock Nut 3/8" - 16
20	04-166	1	Spring - Seat Switch
21	1022	2	5/16"-18 x 1-1/4" Bolt
22	00-083	2	Weatherstrip 12" ea.
	20-940	1	Seat Base Ass'y
24	1030	2	3/8" - 16 x 3/4" HHCS
25	20-270	1	Cable
26	1957	3	Bolt 3/8" - 16 x 1" HHCS
27	1112	2	Locknut 3/8" - 16
28	1111	1	Lock Nut 5/16" - 18
29	1111	2	Lock Nut 5/16" - 18
30	15-663	1	Latch Kit
31	20-070	1	Foot Rest Assembly
32	20-771	1	Adjuster, Non Locking

Item	Part#	Qty.	Description
------	-------	------	-------------

FRONT AXLE & CASTER ASSEMBLY

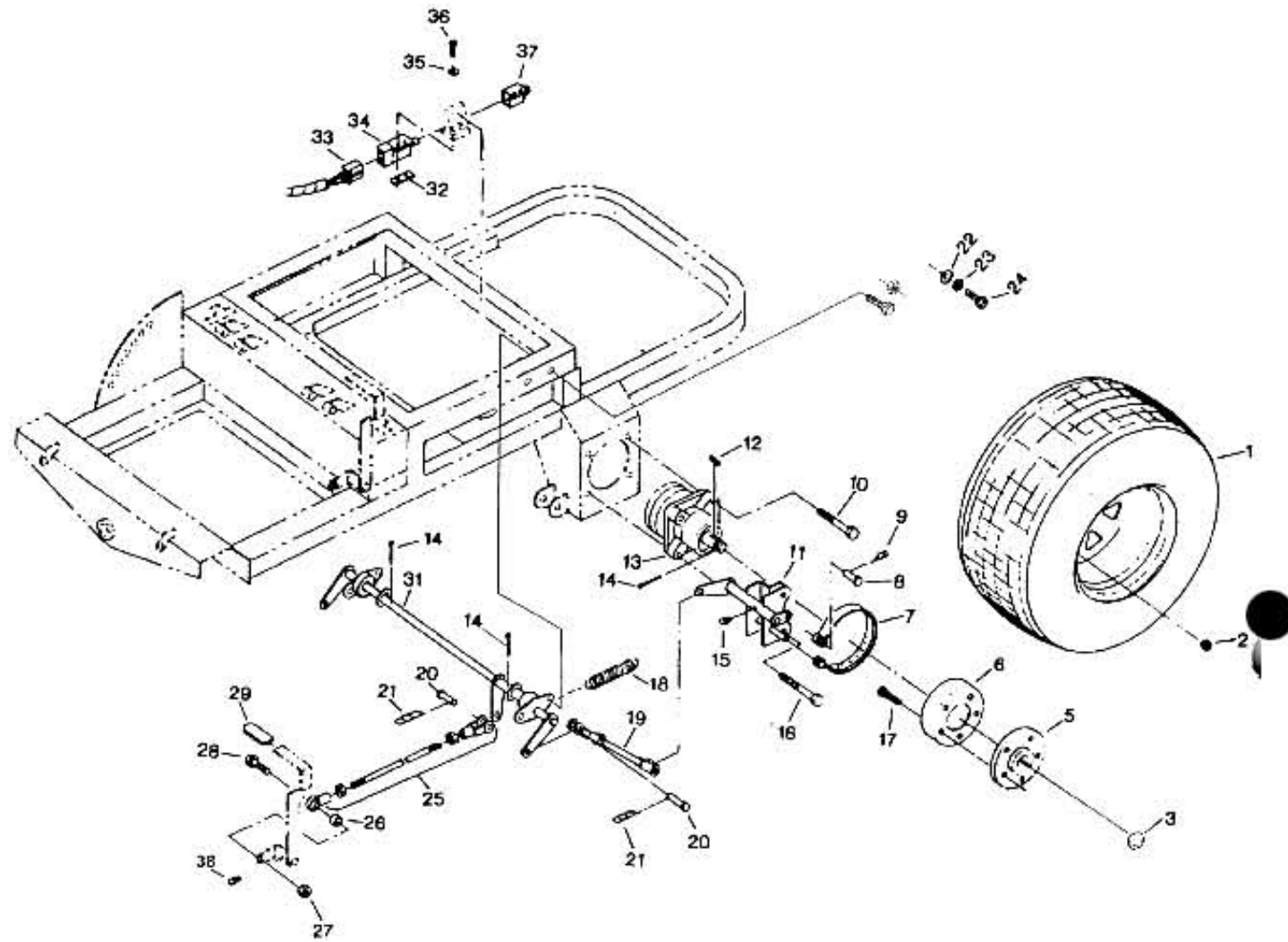


Item	Part#	Qty.	Description
●	20-400	1	Front Axle Assy (Z-52", Z-60", Decks Only)
●	20-373	1	Front Axle Assy. (Z-72", Deck Only)
--	20-959	1	Front Axle Assy (Z-80", Deck Only)
2	15-743	2	Bushing - Flange
3	20-137	1	Shaft - Front Axle
4	1133	1	Roll Pin 1/4" x 2"
5	04-107	2	Dust Cap
6	1865	2	Slotted Jam Nut 1" - 14
7	07-011	3	Machine Bushing 1" x 1-1/2" x 14 Ga
8	04-165	4	Cone
9	04-007	4	Cup
10	20-267	2	Seal
11	20-261	2	Spacer
12	20-401	2	Caster Assembly
13	1114	2	Lock Nut 3/4" - 10
14	20-005	2	Tire/Wheel Assy 13 x 5.00 - 6 4 Ply
--	20-260	1	Tire Only
--	20-268	1	Wheel Only
15	2268	2	Bolt 3/4" - 10 x 7-1/2"
16	20-262	4	Spacer
17	20-280	4	Seal
18	5077	4	Cone
19	6053	4	Cup
20	2291	1	Grease Fitting - Straight
21	1500	2	Grease Fitting - Straight
22	1608	2	Cotter Pin 1/8" x 2"
23	1233	1*	Machine Bushing 1" x 1-1/2" x 18 Ga
24	07-760	1	1" x 1/4" Spacer

NOTE: (*) As Required

Item	Part#	Qty.	Description
------	-------	------	-------------

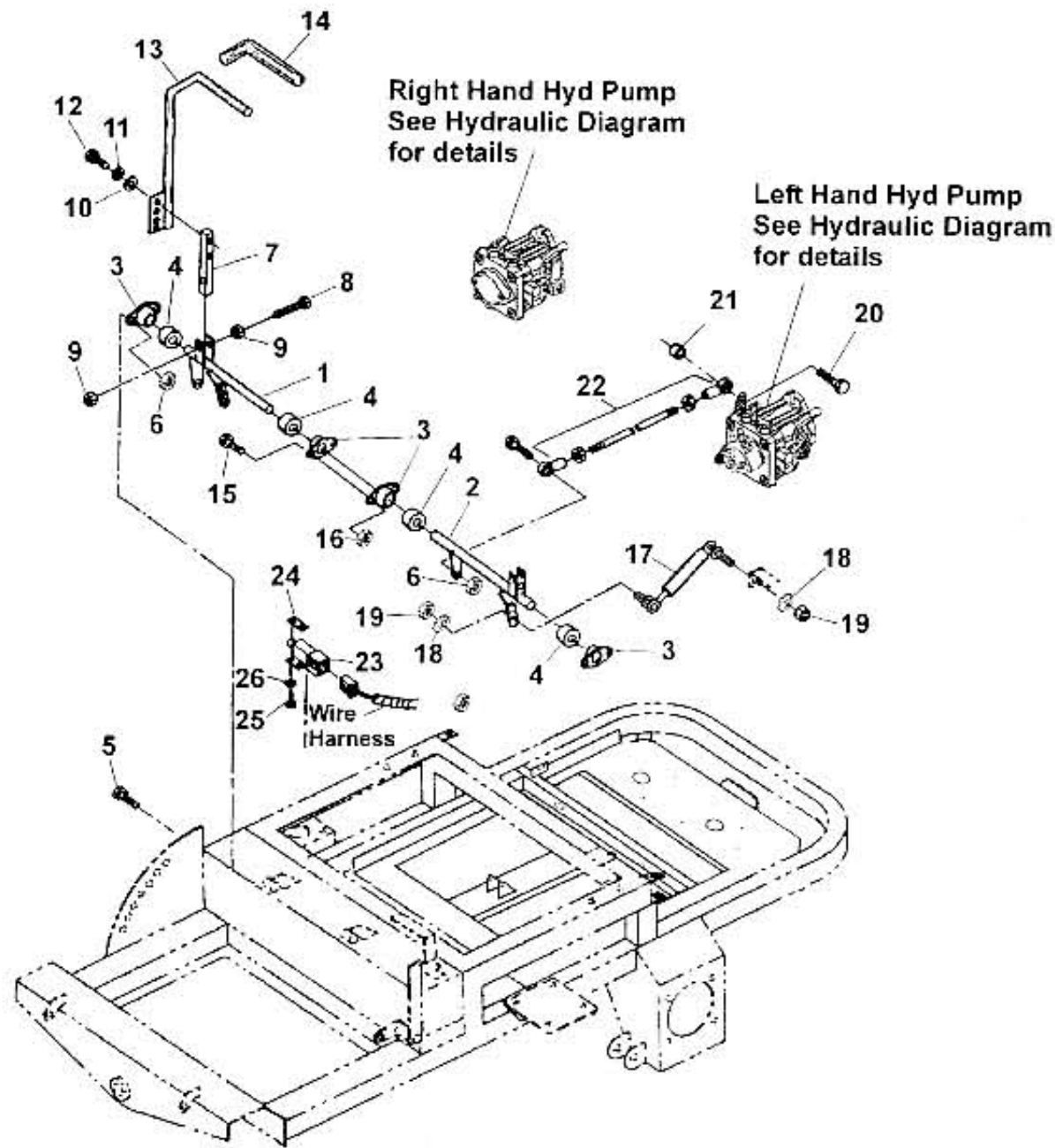
DRIVE WHEEL & BRAKE LINKAGE



Item	Part#	Qty.	Description
1	20-948	2	Tire/Wheel Assy 23-10.5-12 4 Ply (Turf)
--	20-276	1	Wheel Only
--	20-947	1	Tire Only (Turf)
--	20-670	2	Tire/Wheel Assy 23-10.5-12 Knobby
--	20-276	1	Wheel Only
--	20-669	1	Tire Only (Knobby)
2	05-148	10	Lug Nut
3	03-312	2	Slotted Jam Nut 1" - 20
4	04-197	2	Wheel Spacer (52" Decks)
5	20-011	2	Hub - Wheel
6	20-010	2	Drum - Brake
7	20-029	2	Band - Brake
8	2271	2	Clevis Pin 3/8" x 1-1/4"
9	2272	2	Rue Pin - 3/8"
10	1708	4	Bolt 1/2" - 13 x 2 1/2"
11	20-666	1	Brake Lever Assy - Left
--	20-667	1	Brake Lever Assy - Right
12	23-397	2	Key
13	20-018	2	Wheel Motor
14	1863	1	Cotter Pin 1/8" x 1-1/2"
15	1501	2	Grease Fitting - 45 Degree
16	2199	4	Bolt 1/2" - 13 x 3"
17	04-239	10	Lug Bolt
18	5013	1	Spring - Return
19	09-436	2	Rod Assy - Brake Control (Rear)
--	09-148	1	Rod End - Clevis
--	1122	1	Hex Nut 5/16" - 24
--	09-445	1	Rod
20	2064	5	Pin - Rod End 5/16"
21	09-082	5	Rue Pin 5/16"
22	2044	4	Flat Washer 5/16" SAE
23	1608	2	Cotter Pin 1/8" x 2"
24	1020	4	Bolt 5/16" - 18 x 3/4"
25	20-095	1	Rod Assy - Brake Control (Front)
--	09-148	1	Clevis 5/16" - 24 x 2 1/4"
--	2092	1	Jam Nut 5/16" - 24
--	2046	1	Jam Nut 5/16" - 24 (L.H. Thread)
--	09-264	1	Ball Joint 5/16" - 24 (L.H. Thread)
--	20-065	1	Rod
26	09-128	1	Spacer
27	1111	5	Lock Nut 5/16" - 18
28	1022	1	Bolt 5/16" - 18 x 1 - 1/4"
29	20-257	1	Grip - Parking Brake
30	1502	2	Grease Fitting - 90 Degree
31	20-962	1	Brake Shaft Assy
32	20-199	1	Bracket - Switch
33	20-534	1	Wire Harness Assy 29 H.P.
--	20-535	1	Wire Harness Assy 27 H.P.
34	02-288	1	Switch - Brake
35	1924	2	Star Washer #10
36	1781	2	Machine Screw 10-32 x 3/4" Phillips
37	02-292	1	Rubber Boot
38	1500	1	Grease Fitting - Straight

Item	Part#	Qty.	Description
------	-------	------	-------------

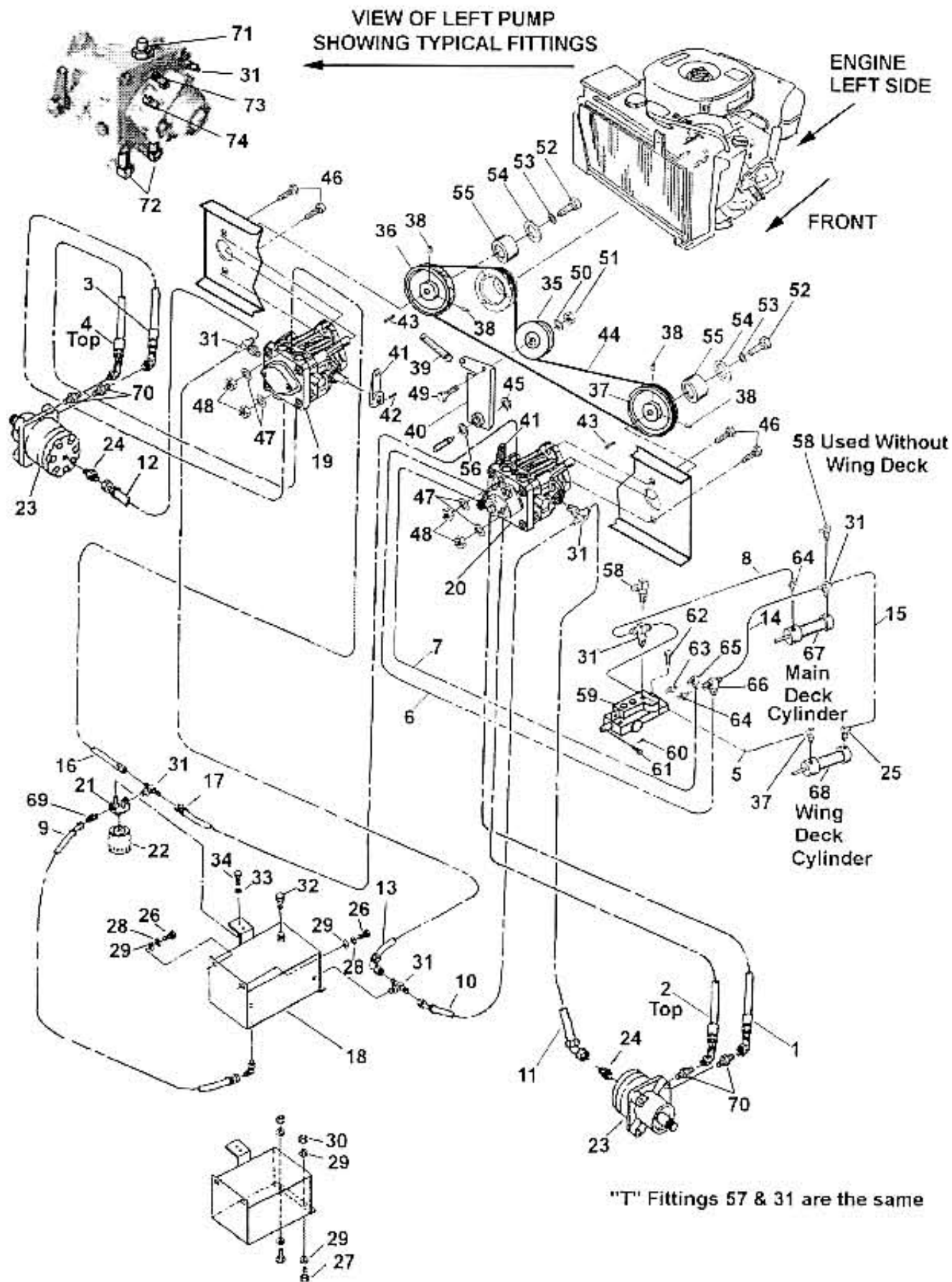
DRIVE PUMP CONTROLS & LINKAGE



Item	Part#	Qty.	Description
1	21-058	1	Steering Control Ass'y - R.H.
2	21-059	1	Steering Control Ass'y - L.H.
3	20-007	4	Bearing, Flanged Mount
4	05-509	4	Lock Collar
5	1030	4	3/4"-16 x 3/4" Bolt
6	111-2A	4	3/8"-16 Locknut
7	20-016	2	Pivot, Steering Arm
8	2072	2	Bolt 3/8"-16 x 2-3/4" Full Thread
9	111-2A	4	3/8"-16 Locknut
10	2044	4	5/16" SAE Flatwasher
11	1201	4	5/16" Lockwasher
12	1855	4	Bolt 5/16"-24 x 1-1/4"
13	20-772	1	Control Handle Ass'y Steering R.H.
--	20-773	1	Control Handle Ass'y Steering L.H.
14	20-252	2	Grip - Steering
15	1957	2	3/8"-16 x 1" Bolt
16	1112A	2	3/8"-16 Locknut
17	20-931	2	Dampner, Steering Control
18	1201	4	5/18" Lockwasher
19	1102	4	5/16"-18 Hex Nut
20	1213	4	5/16"-18 x 1" Bolt
21	1111	4	5/16"-18 Locknut
22	21-170	2	Trans Control Rod Sub Ass'y
--	20-431	2	Rod End - R.H.
--	20-432	2	Rod End - L.H.
--	2092	2	5/16"-24 Jam Nut
--	2046	2	5/18"-24 L.H. Jam Nut
23	02-425	2	Switch, Neutral
24	20-199	2	Bracket, Switch
25	1781	4	Machine Screw 10-32 x 3/4"
26	1924	4	#10 Star Washer

Item	Part#	Qty.	Description
------	-------	------	-------------

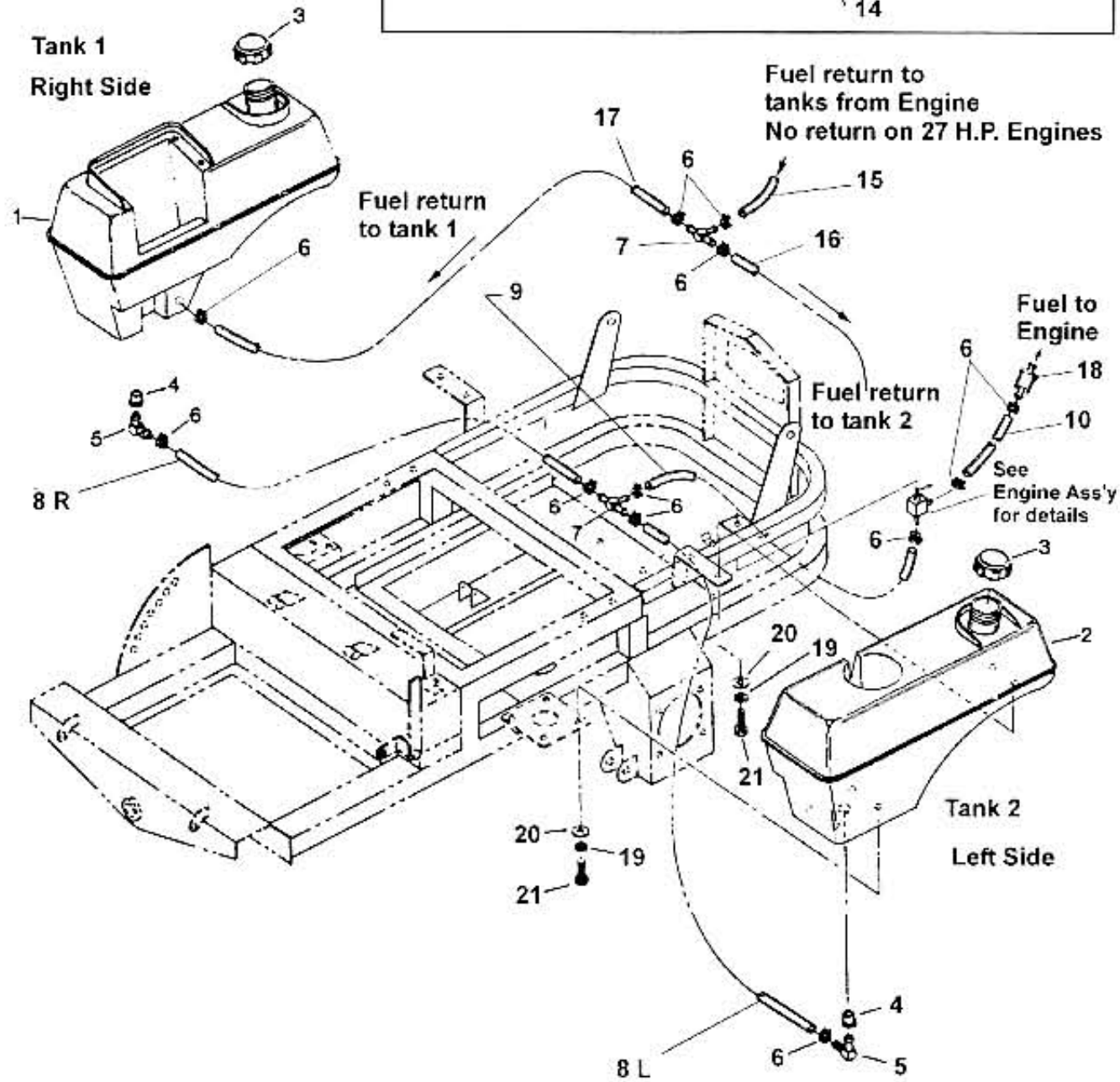
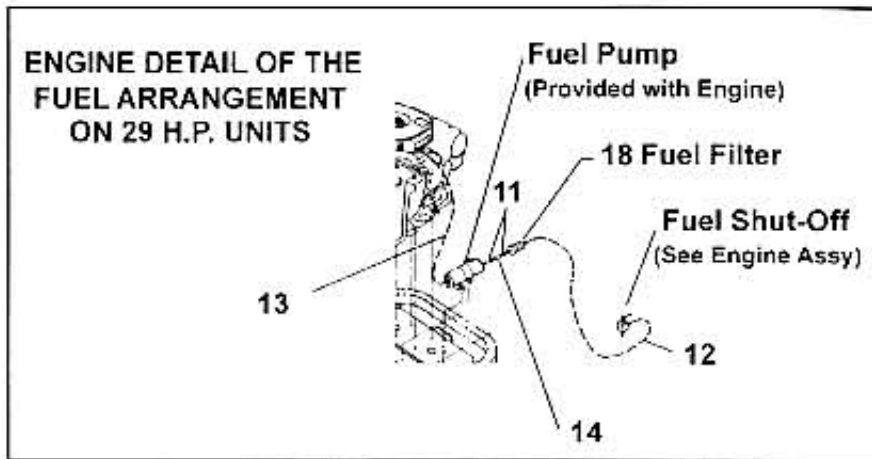
HYDRAULIC DRIVE CIRCUIT



Item	Part#	Qty.	Description
1	23-529	1	Hose, Ass'y Wheel Motor to Pump
2	23-530	1	Hose, Ass'y Wheel Motor to Pump
3	23-529	1	Same as 1
4	34-530	1	Same as 2
5	23-535	1	Cont'l Valve to Wing Cyl. Press
6	23-537	1	Valve to Aux Pump Return
7	23-539	1	Aux. Pump to Cont'l. Valve Press
8	23-536	1	Cont'l Valve to Main Deck Cyl Press
9	23-540	1	Hose Ass'y Hyd Res to Filter
10	23-541	1	Hose Ass'y L.H. Pump to Res
11	23-542	1	Hose Ass'y to Motor Drain
12	23-542	1	Same as 11
13	23-543	1	Hose Ass'y R.H. Pump to Res
14	23-537	1	Cont'l Valve to Main Deck Cyl
15	23-538	1	Deck Lift Cyl to Wing Cyl
16	23-544	1	Hose Assy, Filter to R.H. Hydro
17	23-545	1	Hose Assy, Filter to L.H. Hydro
18	20-822	1	Hyd. Reservoir Ass'y
19	23-525	1	Pump, Wheel Motor - Right
20	23-526	1	Pump, Wheel Motor - Left
21	20-024	1	Head, Filter
22	09-267	1	Element, Filter
23	20-018	2	Wheel Motor
24	23-372	2	Fitting, Straight
25	13-601	1	Fitting, 90 Degree
26	1213	1	Bolt 5/16" - 18 x 1"
27	1020	3	Bolt 5/16" - 18 x 3/4"
28	1201	2	Lock Washer 5/16"
29	1221	6	Flat Washer 5/16"
30	1111	2	Locknut 5/16" -18
31	03-455	6	Fitting - Tee
32	09-231	1	Cap Reservoir
33	1200	2	Lock Washer 1/4"
34	1000	2	Bolt 1/4" - 20 x 1/4"
35	21-051	1	Pulley Trans Idler
36	20-759	2	Pulley Trans
37	13-687	1	Fitting, 90 Degree
38	2380	4	5/16"-18 x 3/4" Sq. Hd Harden
39	4114	1	Extension Spring 5"
40	20-761	1	Brkt, Ass'y, Belt Idler
41	21-024	2	Lever, Trans Control
42	1003	2	Bolt 1/4"-20 x 1" HHCS
43	09-277	2	5mm x 25mm Key
44	21-108	1	Belt Trans Drive
45	09-115	1	Ring 3/4" Retaining
46	1824	4	Bolt 3/8"-16 x 1-1/4"
47	2119	4	Washer 3/8" Hardened
48	1112A	4	Nut 3/8" -16 Locknut Gr 2
49	1822	1	Bolt 3/8"-16 x 1-3/4" HHCS
50	1769	1	Washer 3/8" SAE Flat Washer
51	1112A	1	Same as 48
52	1834	2	Bolt 6mm 1.0 x 12mm HHCS
53	1200	2	Washer 1/4" Lockwasher
54	1819	2	Washer 1/4" x 1-1/4" Fender

Item	Part#	Qty.	Description
55	21-073	2	Spacer Trans Pulley
56	1232	1	Machine Bushing 3/4" x 1-1/4", 18 GA
57	---	-	---
58	03-663	2	Fitting, 90 degree
59	03-447	1	Lift Valve - Single
60	1601	1	Cotter Pin, 1/16" x 1/2" Plated
61	2017	1	1/4" Dia x 3/4" OAL
62	1007	2	Bolt 1/4"-20 x 2" HHCS
63	13-323	1	Fitting
64	03-076	2	Fitting -Straight
65	13-593	1	Fitting
66	13-477	1	Fitting
67	23-507	1	Cyl Deck Lift
68	13-944	1	Cyl. - Wing Deck Lift
69	03-076	1	Fitting - Straight
70	23-528	4	Reducer - Straight
71	13-439	2	Fitting - P/S Pump
72	23-527	4	90 Degree Elbow Long
73	23-372	1	Fitting - Straight
74	13-592	1	Fitting - Straight

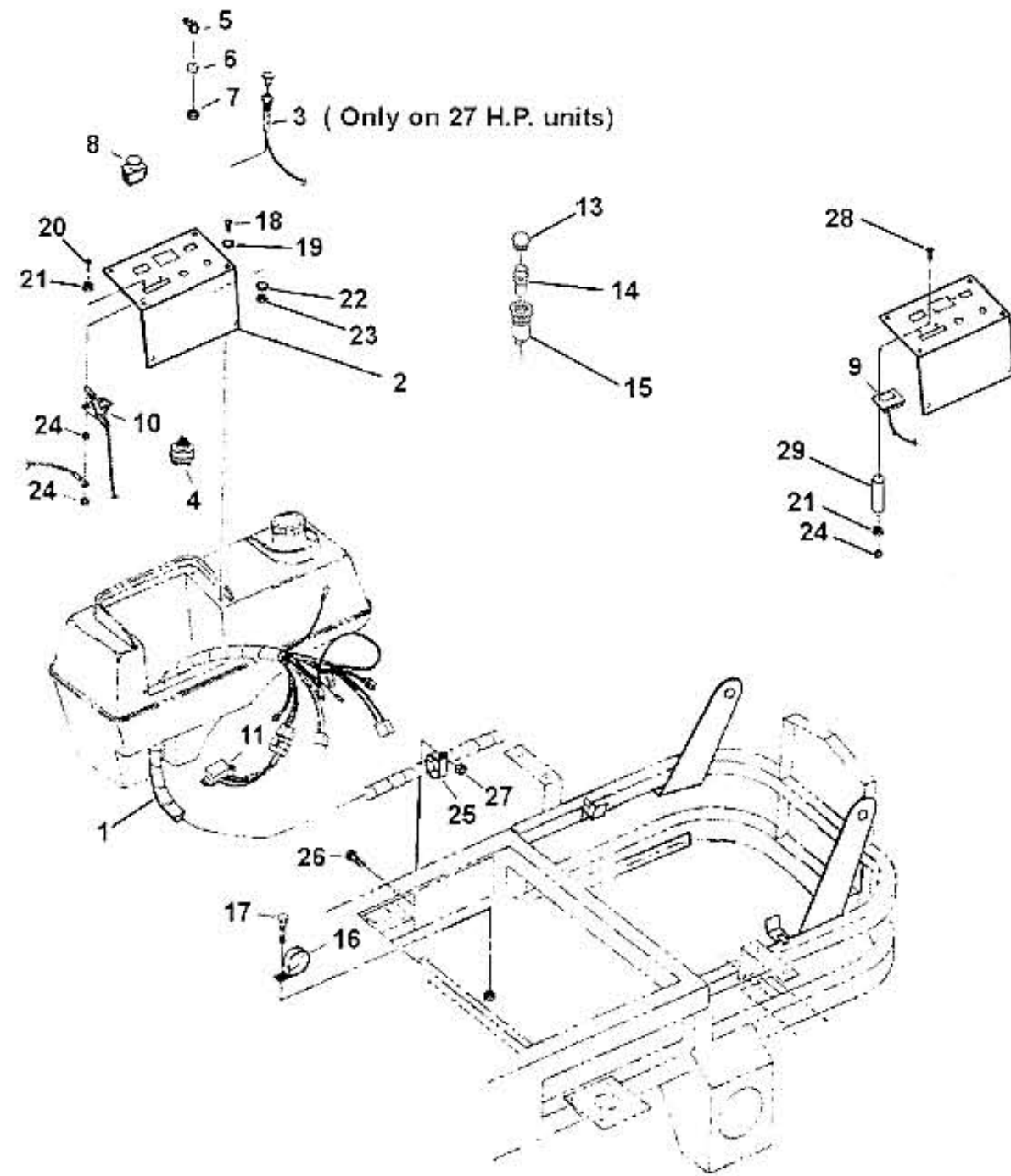
FUEL SYSTEM



Item	Part#	Qty.	Description
1	20-178	1	Fuel Tank - R.H.
2	20-187	1	Fuel Tank - L.H.
3	09-528	2	Fuel Cap
4	20-272	2	Rubber Grommet
5	17-111	2	Connector - 90 Degree
6	08-252	10	1/4" - 5/8" Hose Clamp
7	20-139	2	Tee - Fuel - (1 Req'd on 27 HP)
8R	13-090	28"	5/16" Bulk Fuel Line
8L	13-090	13-1/4"	5/16" Bulk Fuel Line
9	13-090	30"	5/16" Bulk Fuel Line
10	13-090	13"	5/16" Bulk Fuel Line
11	6023	2	1" Hose Clamp
12	13-090	16"	5/16" Bulk Fuel Line
13	13-090	24"	5/16" Bulk Fuel Line
14	23-551	2"	1/2" Bulk Fuel Line
15	03-705	43"	1/4" Bulk Fuel Line
16	03-705	26-1/2"	1/4" Bulk Fuel Line
17	03-705	14-1/2"	1/4" Bulk Fuel Line
18	09-061	1	Fuel Filter
19	1201	12	Lock Washer 5/16"
20	1229	12	Fender Washer 5/16"
21	1020	12	Bolt 5/16" - 18 x 3/4"

Item	Part#	Qty.	Description
------	-------	------	-------------

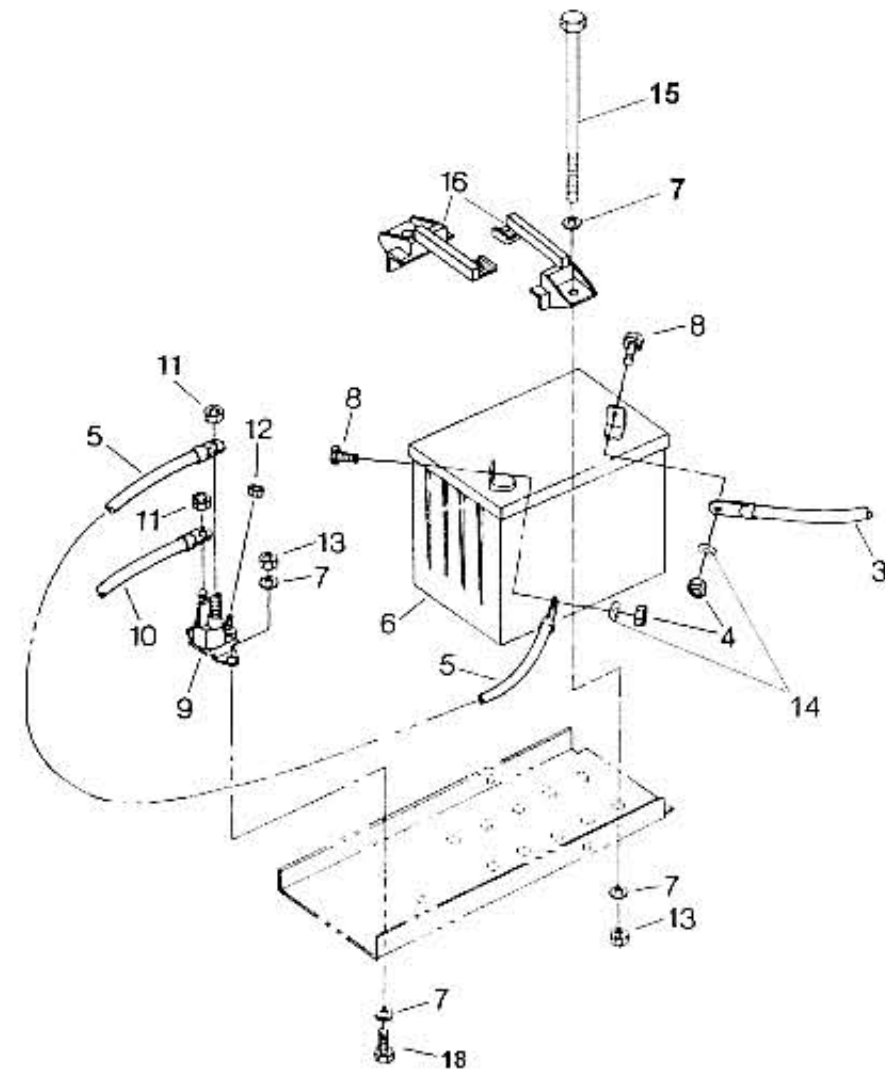
DASH & WIRE HARNESS ASSEMBLY



Item	Part#	Qty.	Description
1	02-535	1	Wire Harness 27 - H.P.
---	02-534	1	Wire Harness - 29 H.P.
2	21-081	1	Inst Panel 27 H.P.
---	21-050	1	Inst Panel 29 H.P.
3	20-269	1	Choke Cable Ass'y (Only on 27 H.P.)
4	09-466	1	Key Switch (Includes Items 5, 6 & 7)
5	5146	1	Key
6	20-394	1	Bezel
7	20-398	1	Nut
8	02-422	1	PTO Switch
9	02-533	1	Hourmeter Tachometer
10	29-250	1	Throttle Cable Ass'y
11	02-537	1	Control Module
12	---	---	---
13	02-309	1	Lens Indicator (Amber) 29 H.P.
---	02-026	3	Lens Indicator (Red) 27 H.P.
14	02-025	*	Bulb *(3 on 27 H.P., 4 on 29 H.P)
15	02-024	**	Socket **(3 on 27 H.P., 4 on 29 H.P)
16	09-097	1	Clamp Engine Harness
17	1005	1	Bolt 1/4"-20 x 1-1/2"
18	2305	6	Phillips Screw 1/4"-20 x 1/2"
19	1056	6	1/4" SAE Flat Washer
20	1738	1	Bolt 10-32 x 1/2" RHMS Phillips
---	1781	1	Bolt 10-32 x 3/4" RHMS Phillips
21	1887	6	Washer #10 Flat Washer
22	2243	1	Star Washer 3/8"
23	1728	1	Hex Nut 3/8"-24
24	1775	5	Nut 10-32 Lock Nut
25	02-453	3	Clamp - Harness
26	1000	4	Bolt 1/4"-20 x 3/4"
27	1110	5	Lock Nut 1/4"-20
28	1702	2	10-32 x 1/4" RHMS - Phillips
29	08-227	2	Spacer

Item	Part#	Qty.	Description
------	-------	------	-------------

BATTERY ASSEMBLY

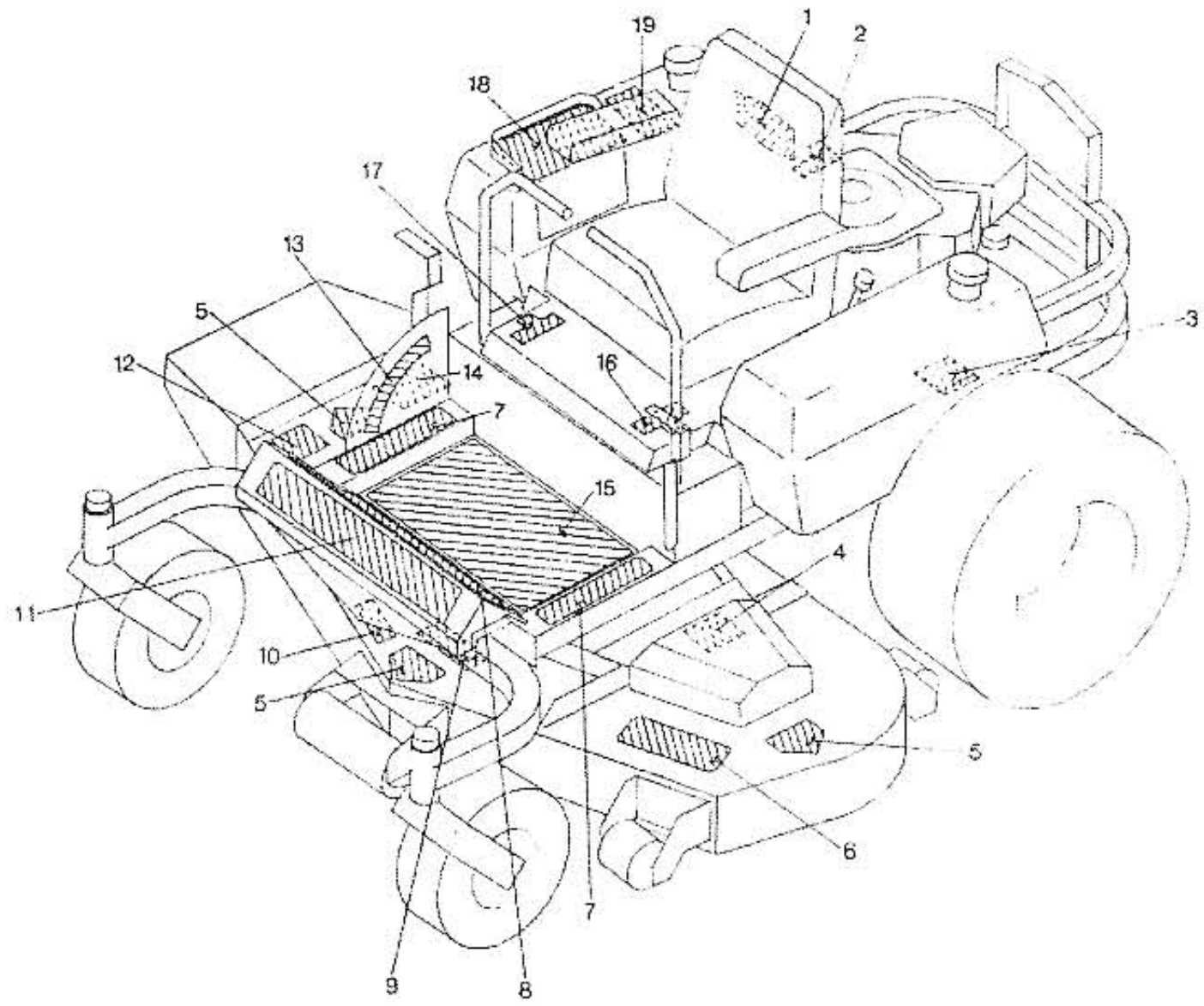


Item	Part#	Qty.	Description

3	090-242	1	Cable - Neg Term 36"
4	1102	2	5/16"-18 Hex Nut Gr 5
5	02-266	1	Battery Cable
6	09-465	1	Battery - 365 CCA
7	1056	6	Washer, 1/4" SAE Flat Washer
8	2070	2	5/16"-18 x 3/4" Carriage Bolt
9	02-434	1	Starter Solenoid
10	02-536	1	Switch to Starter Cable 44"
11	2230	2	Nut, 5/16"-18 Jam Nut Plated
12	1998	2	Nut, 10-32 (With External Starwasher)
13	1110	2	Nut, 1/4"-20 Locknut
14	1201	2	Washer, 5/16" Lockwasher
15	1012	2	Battery Holddown Bolt 1/4"-20 x 7"
16	15-411	1	Battery Holddown
17	---	-	---
18	1000	2	Bolt 1/4"-20 x 3/4" HHCS

Item	Part#	Qty.	Description
------	-------	------	-------------

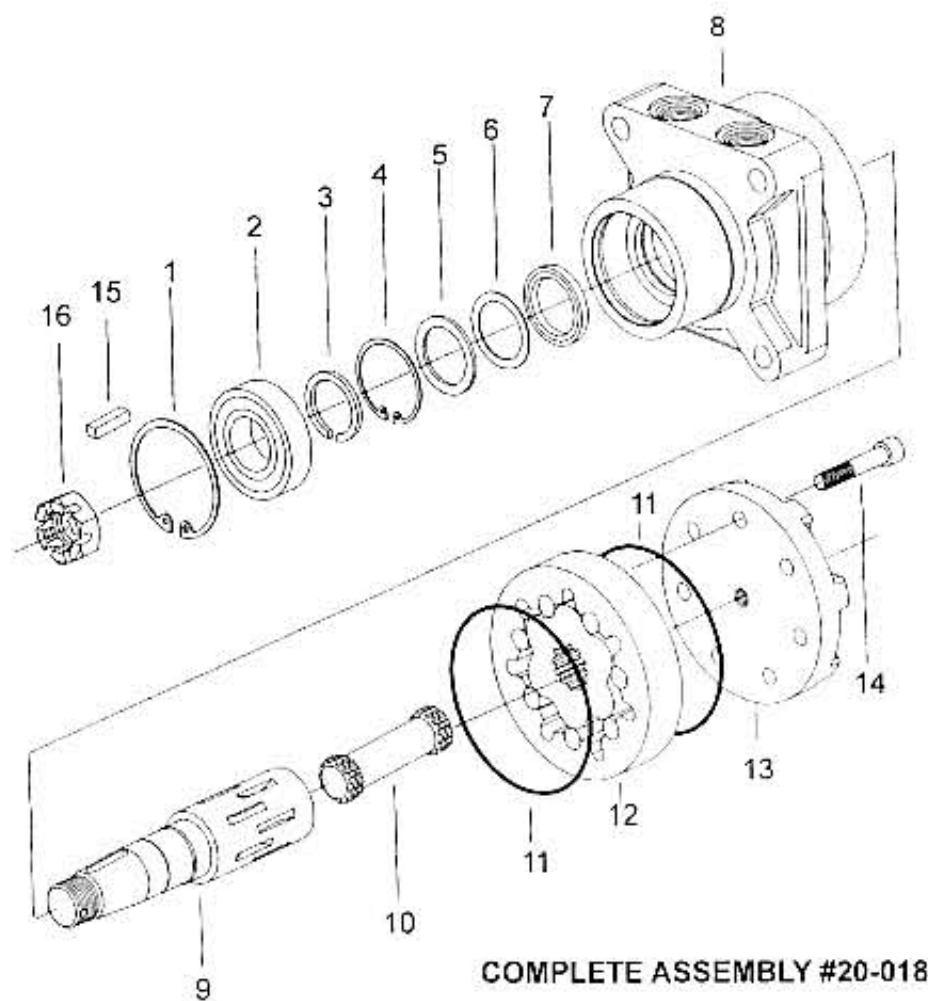
DECALS & ANTI SLIP MATERIAL



Item	Part#	Qty.	Description
1	00-698	1	Decal - "Howard Price Logo"
2	00-680	1	Decal - Fuel Control
3	00-686	1	Decal - Trans. Drive Belt Routing
4	00-682	1	Decal - Deck Belt Routing
--	00-697	1	Decal - Deck Belt Routing (72" only)
--	00-743	1	Decal - Belt Routing Wing Deck
5	00-054	3	Decal - "Hands & Feet"
6	00-048	1	Anti Slip Safety Material (2 per 72" and 80" Decks)
7	20-254	2	Anti Slip Safety Material
8	20-252	1	Floor Mat - Front
9	00-683		Decal - "Commercial 60"
--	00-693		Decal - "Commercial 72"
--	00-733		Decal - "Commercial 80"
10	00-057	1	Decal - "Blade Nut Torque"
11	00-699	1	Decal - "BLAZER 369Z"
12	7018	1	Decal - "Guards OSHA"
13	00-676	1	Decal - Deck Height Indicator
14	00-127	1	Decal - "Caution Deflector"
15	20-253	1	Floor Mat - Rear
16	00-679	1	Decal - Motion Control (L.H.)
17	00-678	1	Decal - Motion Control (R.H.)
18	00-729	1	Decal - Dash
19	00-618	1	Decal - Caution (Molded into tank)

Item	Part#	Qty.	Description
------	-------	------	-------------

WHEEL MOTOR ASSEMBLY

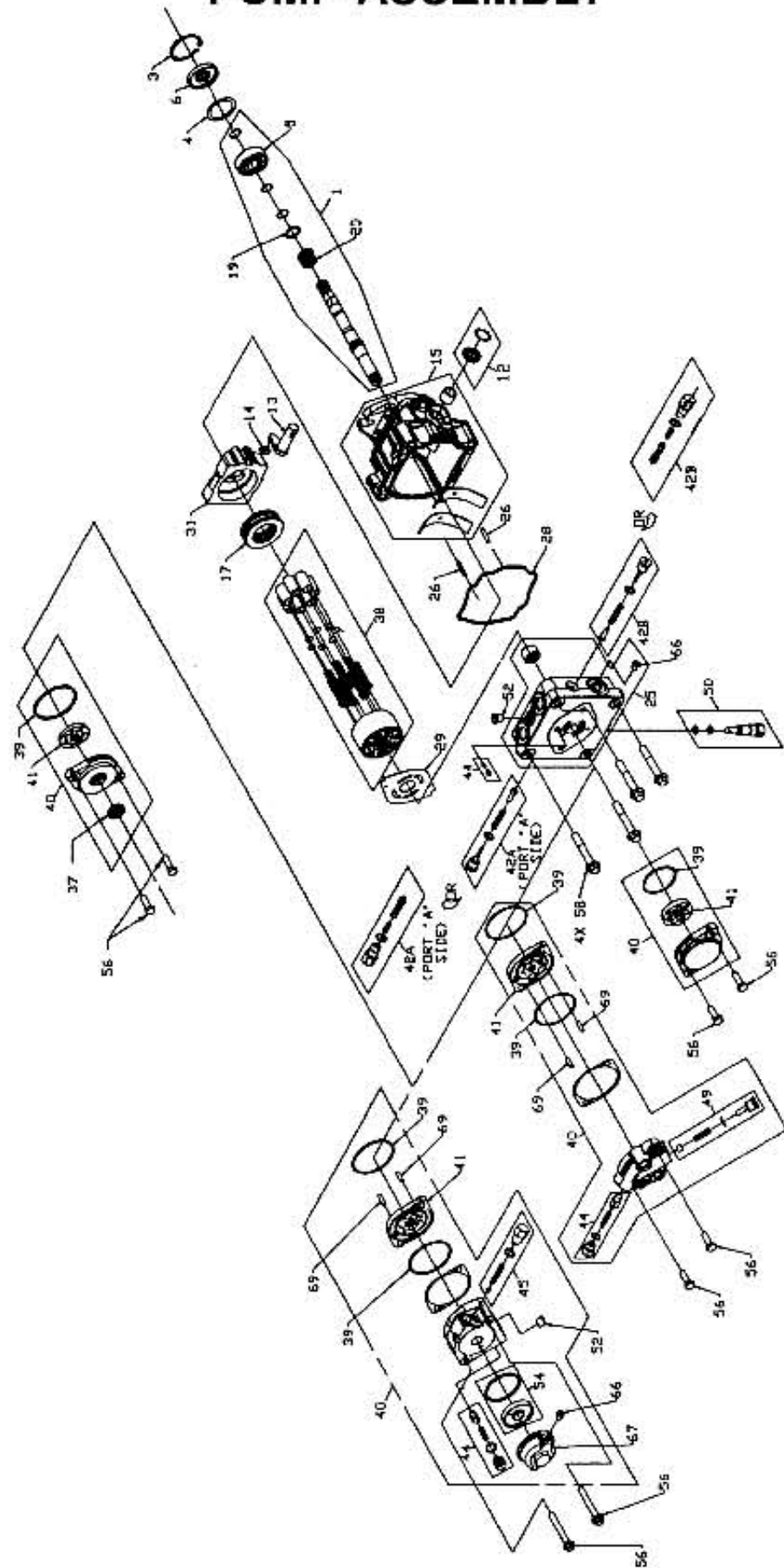


Item	Part#	Qty.	Description
1	*	1	Ring - Retainer
2	*	1	Bearing - Ball
3	*	1	Ring - Retaining
4	*	1	Ring - Retaining
5	*	1	Washer
6	*	1	Washer - Backup
7	*	1	Seal - Pressure
8	23-391	1	Housing
9	23-393	1	Shaft - Output
10	23-393	1	Drive
11	*	2	Seal
12	23-394	1	Geroler Sub Assembly
13	23-395	1	End Cap
14	23-396	7	Cap Screw
15	23-397	1	Key
16	03-312	1	Slotted Jam Nut 1"-20

* Can Only Be Purchased Through Seal Kit #23-390

Item	Part#	Qty.	Description
------	-------	------	-------------

PUMP ASSEMBLY



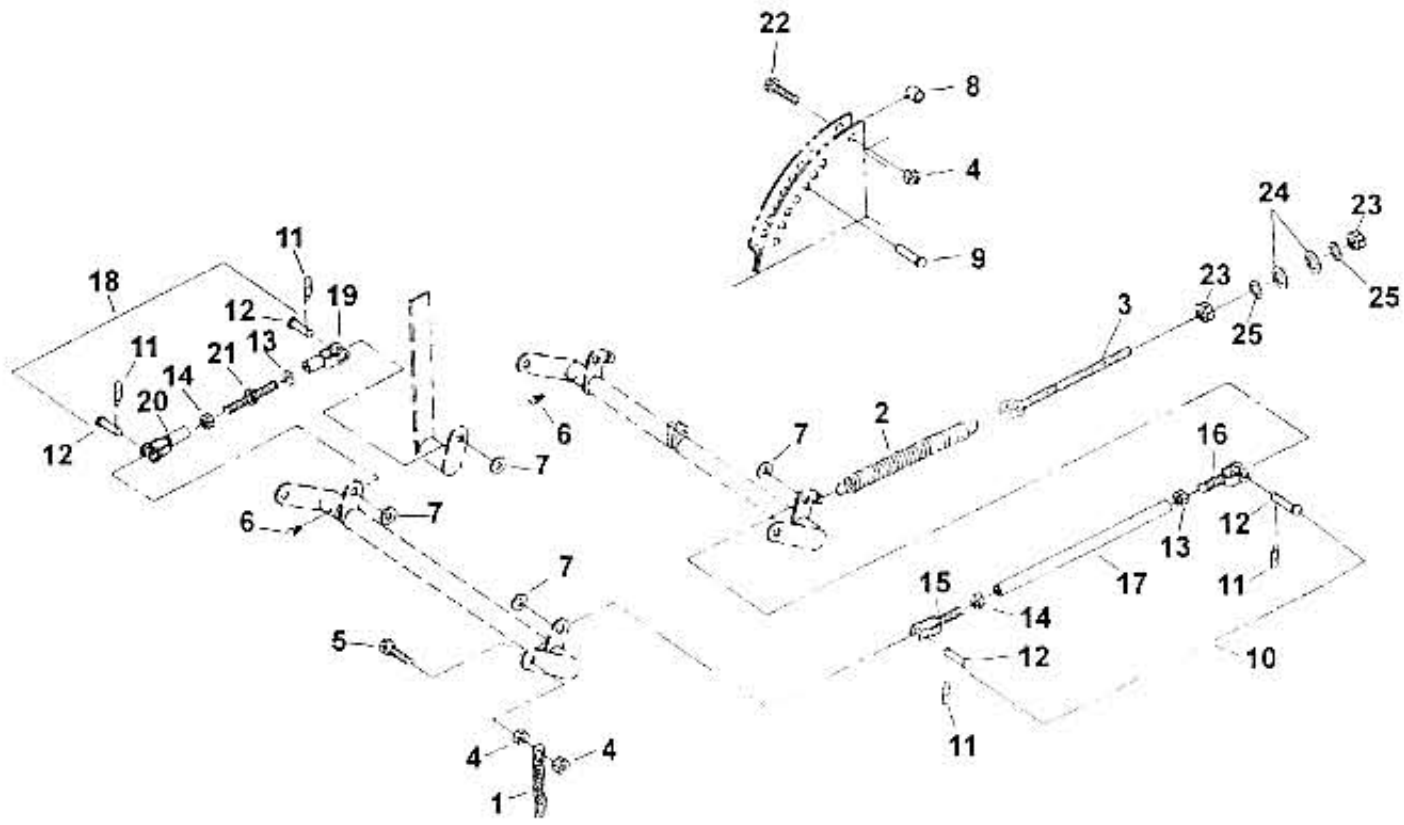
BDP-16A

Item	Part#	Qty.	Description
1	70580	1	Pump Shaft Kit (19T spline)
-	70581	1	Pump Shaft Kit (17mm keyed)
-	70578	1	Pump Shaft Kit (17mm keyed thru taper)
-	251091	1	Pump Shaft Kit (double tapered thru shaft)
2	---	-	---
3	2000038	1	Retaining Ring
4	2000023	1	Spacer
5	2000032	1	Shaft Ball Bearing
6	51092	1	Lip Seal 17 x 47 x 8 PTCN1
7 - 11	---	-	---
12	70739	1	Trunion Seal Kit
13	2000014	1	Trunion Arm (Std)
-	51596	1	Trunion Arm (Sqr Taper)
14	2000015	1	Slot Guide
15	70738	1	Housing Kit
16	---	-	---
17	51462	1	Thrust Ball Bearing Assembly
18	---	-	---
19	2000024	1	Block Thrust Washer
20	2000025	1	Block Spring
21- 24	---	-	---
25	70736	1	End Cap Kit (For Poppets & Std Chg)
-	70801	1	End Cap Kit (For Poppets & Aux Chg TCD)
-	70737	1	End Cap Kit (For Poppets & Aux Chg)
-	70801	1	End Cap Kit (W/ Poppets & Std Chg)
26	50641	2	Pin
27	---	-	---
28	51437	1	O-Ring
29	51455	1	Valve Plate
30	---	-	---
31	51436	1	Variable Swash Plate
32 - 37	---	-	---
38	70735	1	Cylinder Block Kit
39	9004100-1430	1	O-Ring
-	51016	1	R-Ring - 144
40	70470	1	Charge Pump Kit (.13 Std Splined)
-	2510071	1	Charge Pump Kit (.19 Std Splined)
-	2510080	1	Charge Pump Kit (.13 Std Thru Shaft)
-	70924	1	Charge Pump Kit (.19 Std Thru Shaft)
-	2510074	1	Charge Pump Kit (CW-Iron Aux.40-70 psi, .002" Shim)
-	70389	1	Charge Pump Kit (CW-Iron Aux.135-165 psi, .002" Shim)
-	2510075	1	Charge Pump Kit (CCW-Iron Aux 40-70 psi, .002" Shim)
-	70387	1	Charge Pump Kit, ALAux, (7/16" SAE Port 40-70 psi, .002" Shim)
-	70472	1	Charge Pump Kit, ALAux, (7/16" SAE Port 75-105 psi, .002" Shim)

Item	Part#	Qty.	Description
41	50656	1	Gerotor Assembly (.13 cu. in./ rev)
-	50406	1	Gerotor Assembly (.19 cu. in./ rev)
-	50761	1	Aux. Gerotor Assembly (.19 cu in./ rev)
42	2510050	1	Check Valve Kit (Blank orifice)
-	2510062	1	Check Valve Kit (.024" orifice)
-	2510027	1	Check Valve Kit (.031" orifice)
-	2510034	1	Check Valve Kit (.044" orifice)
-	70741	1	Shock Valve Kit (blank orifice)200 BAR)
-	70742	1	Shock Valve Kit (.024" orifice)200 BAR)
-	70743	1	Shock Valve Kit (.031" orifice)200 BAR)
-	70744	1	Shock Valve Kit (.044" orifice)200 BAR)
-	70836	1	(Blank orifice) 160 Bar
-	70837	1	(.024" orifice) 160 Bar
-	70838	1	(.031" orifice) 160 Bar
-	70839	1	(.044" orifice) 160 Bar
-	70840	1	(Blank orifice) 120 Bar
-	70841	1	(.024" orifice) 120 Bar
-	70842	1	(.031" orifice) 120 Bar
-	70843	1	(.044" orifice) 120 Bar
43	---	-	---
44	70402	1	Charge Relief Kit (1/4" Plastic Ball & 2000029 Spring)
-	70403	1	Charge Relief Kit (1/4" Plastic Ball & 50654 Spring)
-	2510081	1	Charge Relief Kit (W/9/16" SAE Valve Plug 40-70 psi)
-	70471	1	Charge Relief Kit (W/9/16" SAE Valve Plug 75-105 psi)
-	2510061	1	Charge Relief Kit (W1/2" SAE Valve Plug 40-70 psi)
-	70388	1	Charge Relief Kit (W1/2" SAE Valve Plug 135-165 psi)
45	2510082	1	Aux Relief Valve Kit
46 - 48	---	-	---
49	2510020	1	Aux Bypass Check Kit
-	2613030	1	ByPass Valve Kit (Blank orifice)
-	2513031	1	ByPass Valve Kit (.031" orifice)
-	2510084	1	ByPass Valve Kit (.043" orifice)
50 - 53	---	-	---
54	2510090	1	Auxiliary Filter Kit
55	---	-	---
56	50173	4	Soc Hd Cap Screw (M8 x 1.25-25mm)
-	51055	2	Flange Hd Screw (5/16"-18 x 2.5")
57	---	-	---
58	51457	4	Hex Screw, Flanged Hd (M10x1.5-65mm)
59 - 68	---	-	---
69	50408	2	Dowel Pin
70 - 98	---	-	---
99	70740	1	Overhaul Seal Kit

NOTE: DIAGRAM, DESCRIPTIONS AND ITEM NUMBERS ARE FROM "HYDRO GEAR" DATA DATED 08-16-03. REFERENCE BLN-51337 and ITEMS LIST BDP-16A

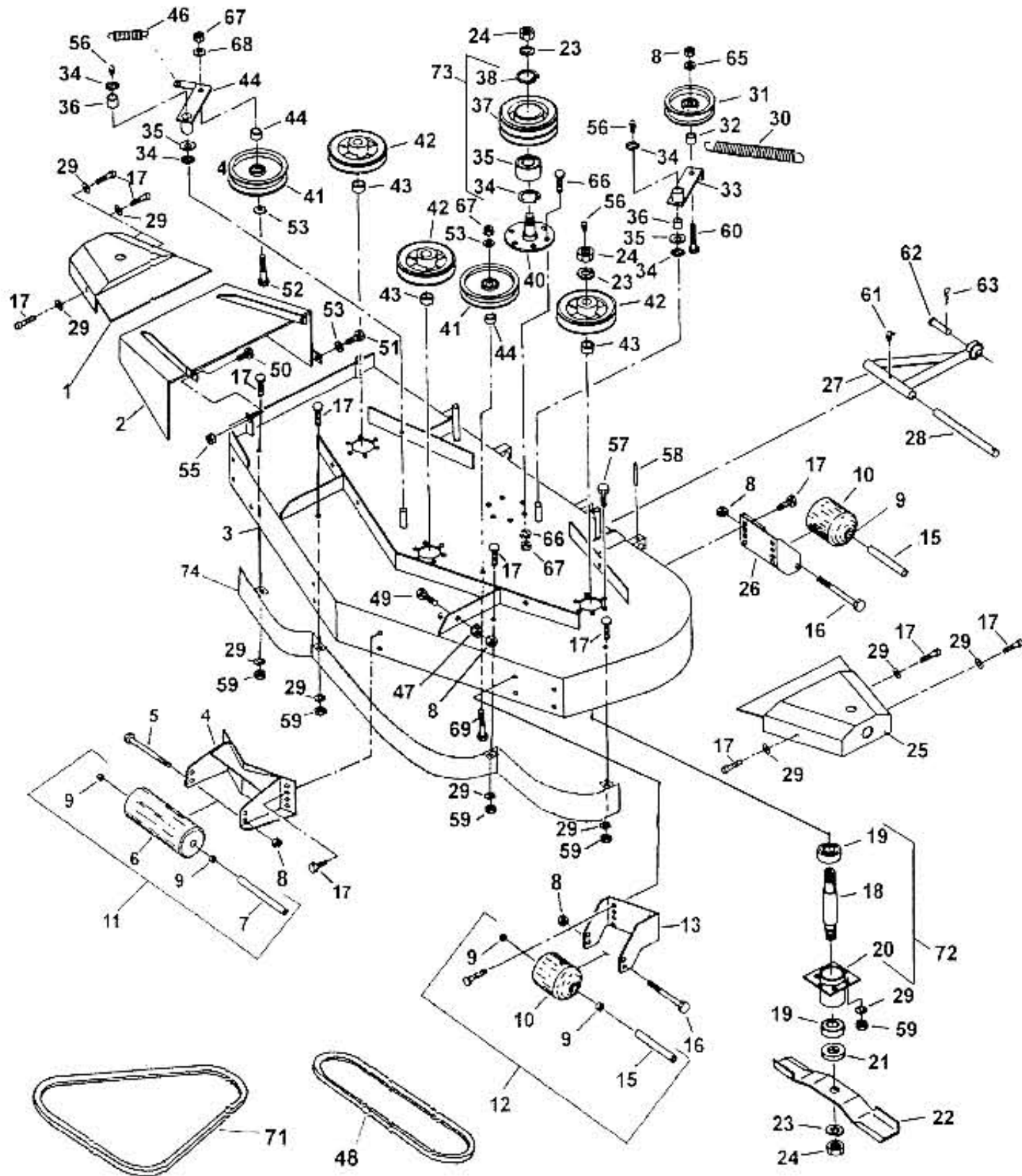
DECK LIFT ASSEMBLY



Item	Part#	Qty.	Description
1	20-020	4	Chain - 6 Link
2	20-780	2	Spring
3	21-172	1	Link, Deck Spring
4	1747	9	Locknut 1/2" - 13
5	2273	4	Bolt 1/2" - 13 x 1 3/4"
6	1500	5	Greasefitting 1/4" - 28 Straight
7	1223	4	Flat Washer 1/2"
8	20-098	1	Spacer
9	2302	1	Cotterless Pin 1/2" x 2"
10	20-147	1	Deck Height Adj. Assembly (L.H.)
--			Contains the following (#s 13 thru 17)
11	2270	4	Rue Pin 1/2"
12	2081	4	Clevis Pin 1/2" x 1-1/8"
13	1979	2	Jam Nut 1/2" - 20
14	2282	2	Jam Nut 1/2" - 20 (L.H. Thread)
15	20-189	1	Yoke Adjustable (L.H. Thread)
16	20-185	1	Yoke Adjustable
17	20-145	1	Spacer Deck Height Adj.
18	20-146	1	Deck Height Adj. Assembly (R.H.)
--			Contains the Following (#s 13, 14, 19, 20,21)
19	04-152	1	Clevis 1/2" - 20
20	20-278	1	Clevis 1/2" - 20 (L.H. Thread)
21	20-062	1	Rod Assy. - Threaded
22	1965	1	Bolt 1/2" - 13 x 2"
23	1102	4	Nut 5/16"-18 Hex Nut, Gr 5
24	2044	4	Washer SAE 5/16" Flat Washer SAE
25	1201	4	Washer, 5/16" Lock Washer

Item	Part#	Qty.	Description
------	-------	------	-------------

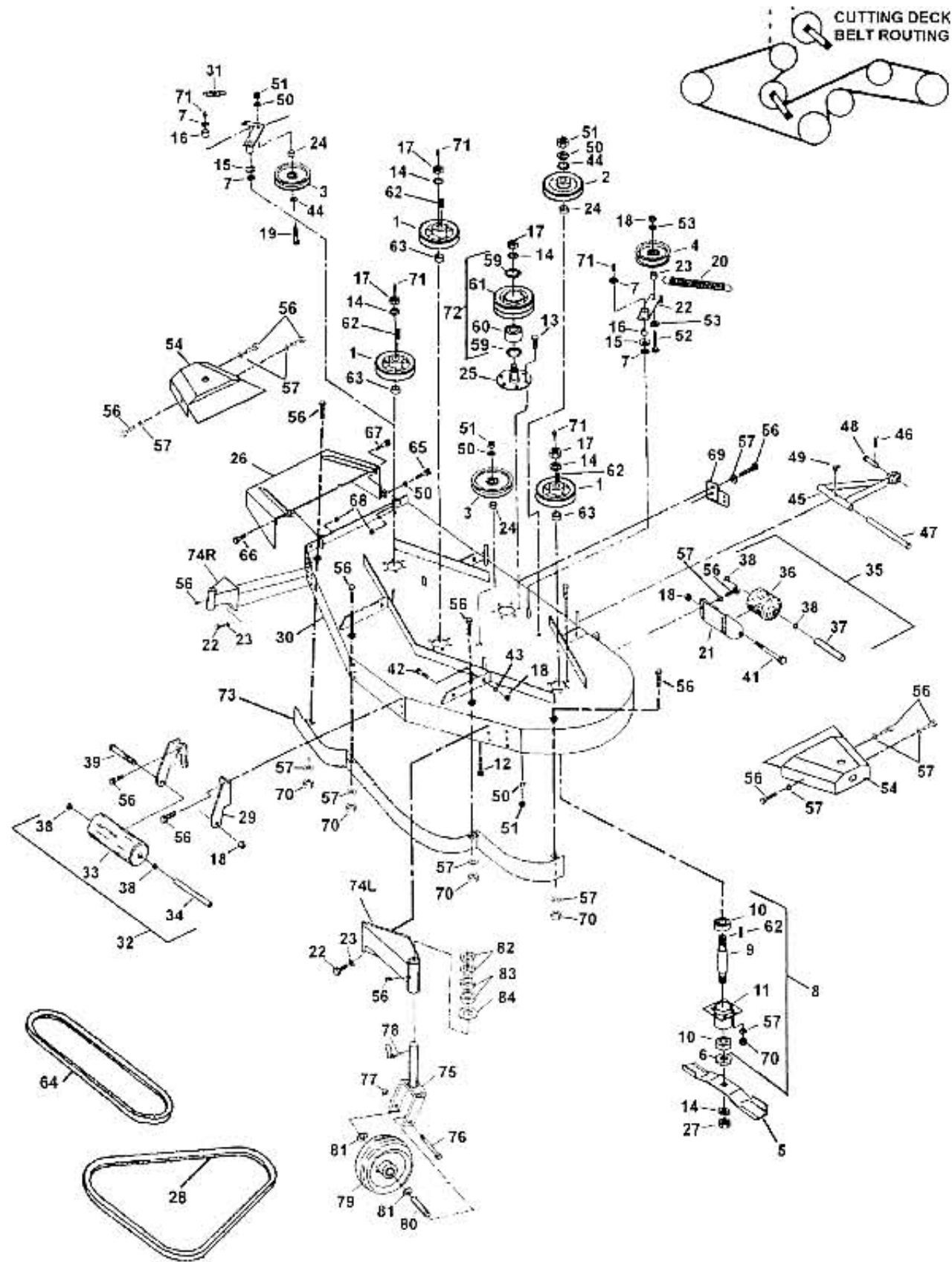
60" CUTTING DECK ASSEMBLY



Item	Part#	Qty.	Description
1	20-227	1	Cover - Deck (R.H.)
2	20-206	1	Chute Assy - 60"
3	20-200	1	Deck Assy - 60"
4	20-227	1	Cover - Deck (R.H.)
5	20-206	1	Chute Assy - 60"
6	20-200	1	Deck Assy - 60"
7	20-794	1	Support Assy. - Front Center Roller
8	2124	1	Bolt 1/2" - 13 x 11"
9	20-422	1	Roller - 4" x 10"
10	07-139	1	Shaft - Roller
11	1747	10	Lock Nut 1/2" - 13
12	20-420	10	Bearings
13	20-421	4	Roller - 4" x 5"
14	20-419	1	Roller Assy.
15	20-418	4	Roller Assy.
16	20-194-A	1	Caster Support - Front Right
17	20-188-A	1	Caster Support - Front Left
18	07-144	4	Shaft - Roller
19	2269	4	Bolt 1/2" - 13 x 6 - 1/2"
20	1020	30	Bolt 5/16" - 18 x 3/4"
21	09-011	3	Shaft - Blade
22	09-017	6	Bearing
23	09-018	3	Hub Assy. - Blade
24	09-005	3	Blade Adapter - WB
25	20-750	3	Blade - 60"
26	20-750L	3	Optional (Low Lift)
27	1207	7	Lock Washer 1"
28	1731	7	Jam Nut 1" - 14
29	20-226	1	Cover - Deck (L.H.)
30	20-186-A	2	Caster Support - Rear
31	20-072	2	Push Arm Assy.
32	20-138	2	Shaft - Push Arm
33	1201	48	Lock Washer 5/16"
34	20-733	1	Spring
35	20-264	1	Pulley - Idler
36	20-207	1	Spacer - Idler
37	20-204	1	Lever Assy. - Belt Tightner
38	09-115	4	Retaining Ring - 3/4"
39	1232	2	Bushing - Machine
40	04-463	2	Bushing
41	20-015	1	Pulley - Engine to Deck
42	20-247	2	Retaining Ring
43	20-263	1	Bearing
44	20-245	1	Post Assy. - Double Groove
45	20-022	2	Pulley - Deck Idler
46	09-197	3	Pulley - Blade
47	4117	3	Spacer - Blade Pulley
48	20-208	2	Spacer - Idler Pulley
49	20-266	1	Lever Assy. - Belt Tightener
50	20-408	1	Spring
51	2275	4	Lock Nut 1/2" - 13 Wide Flange
52	21-108	1	Belt - Eng. to Deck
53	2274	4	Lock Bolt 1/2" - 13 x 2" Wide Flange
54	1957	1	3/8" - 16 x 1"

Item	Part#	Qty.	Description
55	1030	1	Bolt 3/8" - 16 x 3/4"
56	1873	1	Bolt 3/8" - 16 x 2-1/2"
57	1222	5	Flat Washer 3/8"
58	1824	1	Bolt 3/8" - 16 x 1-1/4"
59	1112	5	Lock Nut 3/8" - 16
60	1500	3	Grease Fitting 1/4" - 28 Straight
61	2169	18	Bolt 5/16" - 18 x 1" Gr. 8
62	1132	2	Roll Pin 1/4" x 1-1/2"
63	1102	22	Hex Nut 5/16" - 18
64	2199	1	Bolt 1/2" - 13 x 3"
65	1502	2	Grease Fitting 1/4" - 28 90 Degree
66	20-026	2	Clevis Pin
67	2121	2	#11 Hair Pin Clip
68	1310	3	Key 1/4" x 1"
69	1231	1	Flat Washer 1/2" SAE
70	1076	6	Carriage Bolt 3/8" - 16 x 1"
71	1202	8	Lock Washer 3/8"
72	1103	8	Hex Nut 3/8" - 16
73	1036	1	Bolt 3/8" - 16 x 2-1/4"
74	20-014	1	Belt - Spindles
75	09-136	1	Kit, Consisting of:
76	--	1	Item 56
77	--	2	Item 19
78	--	1	Item 18
79	--	1	Item 20
80	20-429	1	Double Groove Pulley Assembly
81	20-726	1	Front Baffle Assy, Z60

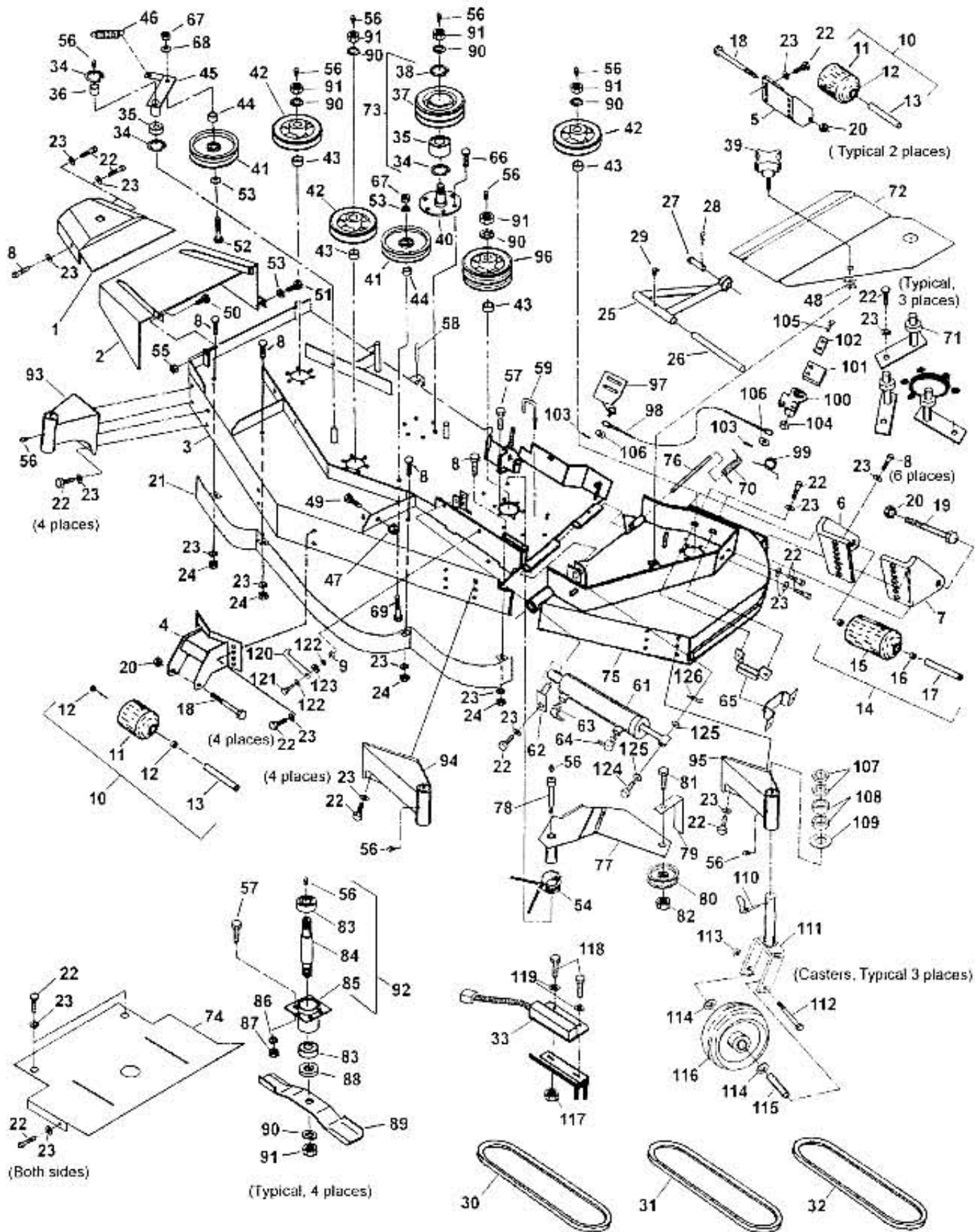
72" CUTTING DECK ASSEMBLY



Item	Part#	Qty.	Description
1	09-197	3	Pulley - Blade
2	20-379	1	Pulley - V-Idler
3	20-022	2	Pulley - Idler
4	20-264	1	Pulley - Flanged Idler Pulley
5	07-204-HB	3	Blade 72" High Lift
	07-204-BL	3	Blade (Optional Low Lift)
6	09-005	3	Blade Adaptor
7	09-115	4	3/4" Retaining Ring
8	09-136	3	Blade Hub w/Bearing & Shaft
9	09-011	3	Shaft - Blade
10	09-017	6	Bearing - Blade Shaft
11	09-018	3	Hub Assy. - Blade
12	1036	2	Bolt 3/8-16 x 2-1/4
13	1076	6	3/8"-16 x 1 Carriage Bolt
14	1207	7	1" Lockwasher
15	1232	4	Machine Bushing
16	15-743	2	Bushing
17	1731	7	Jam Nut
18	1747	10	Locknut 1/2" - 13
19	1873	1	Bolt 3/8" - 16 x 2 1/2"
20	20-733	1	Spring - Extension
21	20-186-A	2	Caster Support -Rear
22	20-204	1	Lever Assembly - Belt
23	20-207	1	Spacer - Engine to Deck Idler
24	20-208	3	Spacer - Idler Pulley
25	20-245	1	Post Assy. - Double Groove Pulley
26	20-343	1	Chute Assembly - 72"
27	20-344-A	1	Side Anti Scalp Bracket L.H.
	20-345-A	1	Side Anti Scalp Bracket R.H.
28	20-375	1	Belt - Spindles
29	20-376-A	2	Anti - Scalp Bracket L.H.
	20-377-A	2	Anti - Scalp Bracket R.H.
30	20-380	1	Deck Assy. - 72"
31	20-408	1	Spring - Deck Idler
32	20-419	2	Anti-Scalp Roller Assy.
33	20-422	2	Anti-Scalp Roller (4"x10")
34	07-139	2	Shaft - Roller
35	20-418	4	Anti-Scalp Roller Assy.
36	20-421	4	Anti-Scalp Roller (4"x5")
37	07-144	4	Shaft - Roller
38	20-420	12	Bearing - Roller
39	2124	1	Bolt 1/2-13 x 11
40	2169	18	Bolt (Grade 8) 5/16"-18 x 1
41	2269	4	Bolt 1/2"-13 x 6-1/2"
42	2274	4	Bolt 1/2"-13 x 2" Wide Flange
43	2275	4	Nut 1/2"-13 Wide Flange Nut
44	1222	3	Flat Washer 3/8"
45	20-072	2	Push Arm Assembly
46	2121	2	11 Hair Pin
47	20-138	2	Shaft - Push Arm
48	07-792	2	Clevis Pin
49	1502	2	Grease Fitting 1/4" - 28 90 Degrees
50	1202	10	Lock Washer 3/8"
51	1103	3	Nut 3/8"-16
52	2199	1	Bolt 1/2"-13 x 3"

Item	Part#	Qty.	Description
53	1231	2	Flat Washer 1/2" SAE
54	20-394	1	Deck Cover - Right Hand
55	20-395	1	Deck Cover - Left Hand
56	1020	34	Bolt 5/16" -18 x 3/4"
57	1201	53	Lockwasher 5/16"
58	20-430	1	Pulley - Assy.
59	20-247	2	Retaining Ring
60	20-263	1	Double Row Bearing
61	20-396	1	Pulley Double Groove
62	1310	3	1/4" x 1" Key
63	4117	3	Blade Spacer
64	21-108	1	Belt - Eng to Deck
65	1030	1	Bolt 3/8" - 16 x 3/4"
66	1957	1	Bolt 3/8" - 16 x 1"
67	1824	1	Bolt 3/8" - 16 x 1-1/4"
68	1112	2	Locknut 3/8" - 16
69	20-406	1	Anti-Scalp Bracket L.H.
	20-407	1	Anti-Scalp Bracket R.H.
70	1102	22	Hex Nut 5/16" - 18
71	1500	4	Grease Fitting 1/4" - 28 Straight
72	20-430	1	Double groove Pully Assembly
73	20-698	1	Front Baffle Assy, Z72
74L	20-749	1	Support Assy Caster Main Deck (LH)
74R	20-751	1	Support Assy Caster Main Deck (RH)
75	20-754	2	Caster Yoke Assy
76	1084	2	Bolt 1/2"-13 x 4-3/4" Plated
77	1747	2	Nut, Center Locknut 1/2"-13
78	07-016	2	Pin 7/16" x 11/32" Klick
79	17-141	2	Tire 6-1/4" x 300 250#
80	20-778	2	Axle ZTR Front
81	21-077	4	Spacer Z80 Wheel
82	07-760	4	Spacer 1" x 1/4"
83	4117	4	Spacer Plated
84	1408	2	SAE Flatwasher

80" CUTTING DECK ASSEMBLY



Item	Part#	Qty.	Description
1	20-227	1	Cover - Deck (R.H.)
2	20-206	1	Chute Assy - 60"
3	20-857	1	Deck Assy - For Wing
4	20-957	1	Support Assy. - Front Center Roller
5	20-186-A	2	Support Assy - for Rear Rollers
6	20-377-A	1	Bracket WingDeck Roller L/H
7	20-376-A	1	Bracket Wing Deck Roller R/H
8	1213	11	Bolt 5/16" - 18 x 1"
9	1111	1	Center Locknut 5/18"-18
10	20-418	3	4" Roller Ass'y with Bearings & Shaft
11	---	3	Roller 4" x 5" #20-421
12	---	6	Bearings #20-420
13	---	3	Shaft - Roller # 07-144
14	20-419	1	10" Roller Ass'y / Bearings & Shaft
15	---	1	Roller 4" x 10" #20-422
16	---	2	Bearings #20-420
17	---	1	Shaft - Roller #07-139
18	2269	3	Bolt 1/2" - 13 x 6-1/2"
19	2124	1	Bolt 1/2" - 13 x 11"
20	1747	4	Lock Nut 1/2" - 13
21	20-726	1	Front Baffle Assy
22	1020	34	Bolt 5/16" - 18 x 3/4"
23	1201	47	Lock Washer 5/16"
24	1102	4	Hex Nut 5/16" - 18
25	20-072	2	Push Arm Assy
26	20-138	2	Shaft - Push Arm
27	20-026	2	Clevis Pin
28	2121	2	#11 Hair Pin Clip
29	1602	2	Grease Fitting 1/4"-28 x 90 degree
30	21-108	1	Belt - Eng to Deck
31	20-014	1	Belt - Spindles
32	20-881	1	Belt - Wing
33	02-532	1	Proximity Switch
34	09-115	2	Retaining Ring - 3/4"
35	1232	1	Bushing - Machine
36	04-463	1	Bushing
37	20-015	1	Pulley - Engine to Deck
38	20-247	2	Retaining Ring
39	07-494	1	Knob, Deck Cover
40	20-245	1	Post Assy. - Double Groove
41	20-022	2	Pulley - Deck Idler
42	09-197	3	Pulley - Blade
43	4117	4	Spacer - Blade Pulley
44	20-208	2	Spacer - Idler Pulley
45	20-266	1	Lever Assy. - Belt Tightener
46	20-408	1	Spring
47	2275	4	Lock Nut 1/2" - 13 Wide Flange
48	2026	1	Crimp On Retainer
49	2274	4	Lock Bolt 1/2" - 13 x 2" Wide Flange
50	1957	1	Bolt 3/8" - 16 x 1"
51	1030	1	Bolt 3/8" - 16 x 3/4"
52	1873	1	Bolt 3/8" - 16 x 2-1/2"
53	1222	5	Flat Washer 3/8"
54	07-492	1	Torsion Spring - Wing Brake

Item	Part#	Qty.	Description
55	1112	5	Lock Nut 3/8" - 16
56	1500	2	Grease Fitting 1/4" - 28 Straight
57	2169	24	Bolt 5/16" - 18 x 1" Gr. 8
58	1132	2	Roll Pin 1/4" x 1-1/2"
59	20-981	1	Guide, Wing Belt
60	2199	1	Bolt 1/2" - 13 x 3"
61	13-944	1	Wing Cylinder
62	07-370	1	Cylinder Mount Pin
63	13-601	1	Steel Fitting St Thd Elbow
64	13-678	1	Fitting 90 degree
65	20-924	2	Belt Retainer Assy
66	1076	6	Carriage Bolt 3/8" - 16 x 1"
67	1103	8	Hex Nut 3/8" x 16
68	1202	8	Lock Washer 3/8"
69	1036	1	Bolt 3/8" - 16 x 2-1/4"
70	07-859	1	Float Spring - Wing Deck
71	20-990	3	Guide Assy Belt
72	20-866	1	Cover Assy Wing Deck
73	20-429	1	Double Groove Pulley Assembly
74	20-882	1	Cover Deck
75	20-856	1	Wing Deck Assy
76	20-850	1	Pin Hinge
77	07-360	1	L. H. Idler Arm Assy
78	2208	1	Bolt, Shoulder
79	20-991	1	Belt Retainer Idler Arm
80	07-370	1	Pulley Assy
81	1822	1	Bolt 3/8" - 16 x 1-3/4"
82	1911	1	Locknut 3/8" - 16
83	09-017	8	Bearing
84	09-011	4	Shaft - Blade
85	09-018	4	Hub Assy - Blade
86	1201	24	Lockwasher 5/16"
87	1102	24	Hex Nut 5/16" - 18
88	09-005	4	Blade Adapter - WB
89	20-750	4	Blade - 60 degree
---	20-750L	4	Optional (Low Lift)
90	1207	4	Lockwasher 1"
91	1731	4	Jam Nut 1" - 14
92	09-136	1	Replacement Kit Consisting of
---	---	1	item 56 Grease fitting
---	---	2	item 83 Bearing
---	---	1	item 84 Shaft - Blade
---	---	1	item 85 Hub Assy - Blade
93	20-751	1	Support Assy Caster, Main Deck (R/H)
94	20-749	1	Support Assy Caster, Main Deck (L/H)
95	20-753	1	Support Assy Caster, Wing Deck
96	09-196	1	Pulley (Double) Blade
97	07-395	1	Bracket - Left Wing
98	20-929	1	Cable Wing Brake
99	07-492	1	Torsion Spring, Wing Brake
100	20-952	1	Wing Brake Ledt
101	09-315	1	Brake Pad
102	09-316	1	Brake Pad Retainer
103	2075	2	Cotter Pin 3/32 x 1/2 Plated
104	1110	2	Hex Nut 1/4" - 20
105	1003	2	Bolt 1/4" - 20 x 1"

Item	Part #	Qty.	Description
106	1200	2	Lock Washer 1/4"
107	07-760	6	Spacer 1" x 1/4"
108	4117	6	Spacer - Plated
109	1408	3	SAE 1" Flatwasher
110	07-016	3	Pin 7/16" x 11/32" Klick
111	20-754	3	Caster Yoke Assy
112	1084	3	Bolt 1/2" - 13 x 4-3/4" Plated
113	1747	3	Nut, Center Locknut 1/2"-13
114	21-077	6	Spacer Z90 Wheel
115	20-778	3	Axle ZTR Front
116	17-141	3	Tire 6-1/4" x 300 250#
117	1101	2	Hex Nut, 1/4"-20
118	1000	2	Bolt 1/4"-20 x 3/4"
119	1200	2	Lock Washer 1/4"
120	20-927	1	Lock, Wing Deck
121	2169	1	Bolt 5/16"-18 x 1" HHCS
122	1221	2	Flatwasher 5/16"
123	2190	1	Flatwasher, Nylon
124	07-493	1	Pin 1/2" X 2" Clevis
125	1223	2	1/2" Flatwasher
126	2270	1	1/2" Rue Pin

