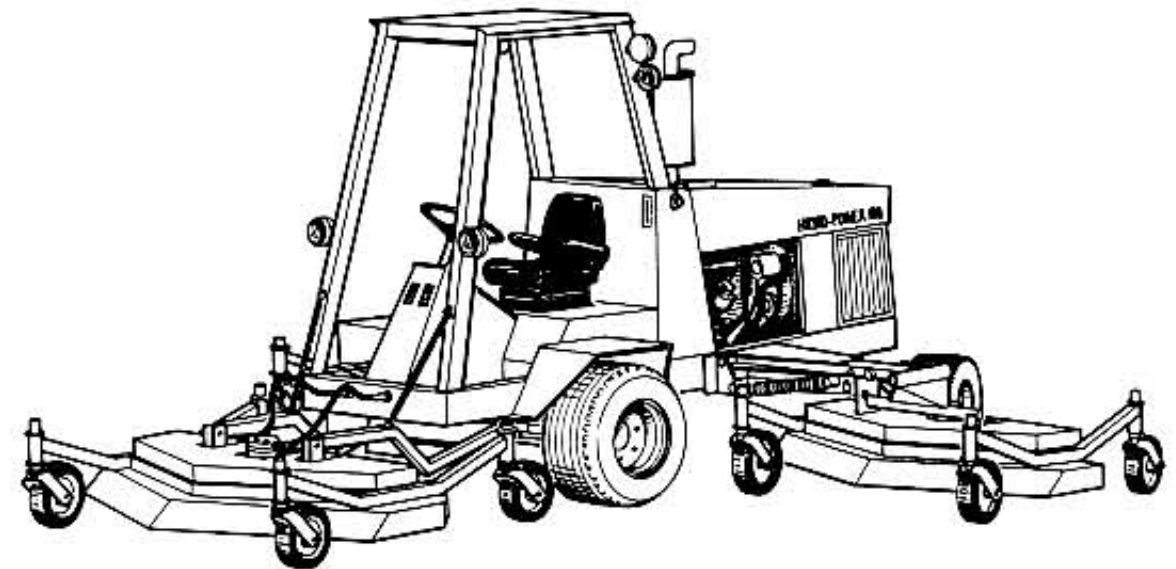




18155 Edison Avenue • Chesterfield, Missouri 63005

# HYDRO-POWER 180



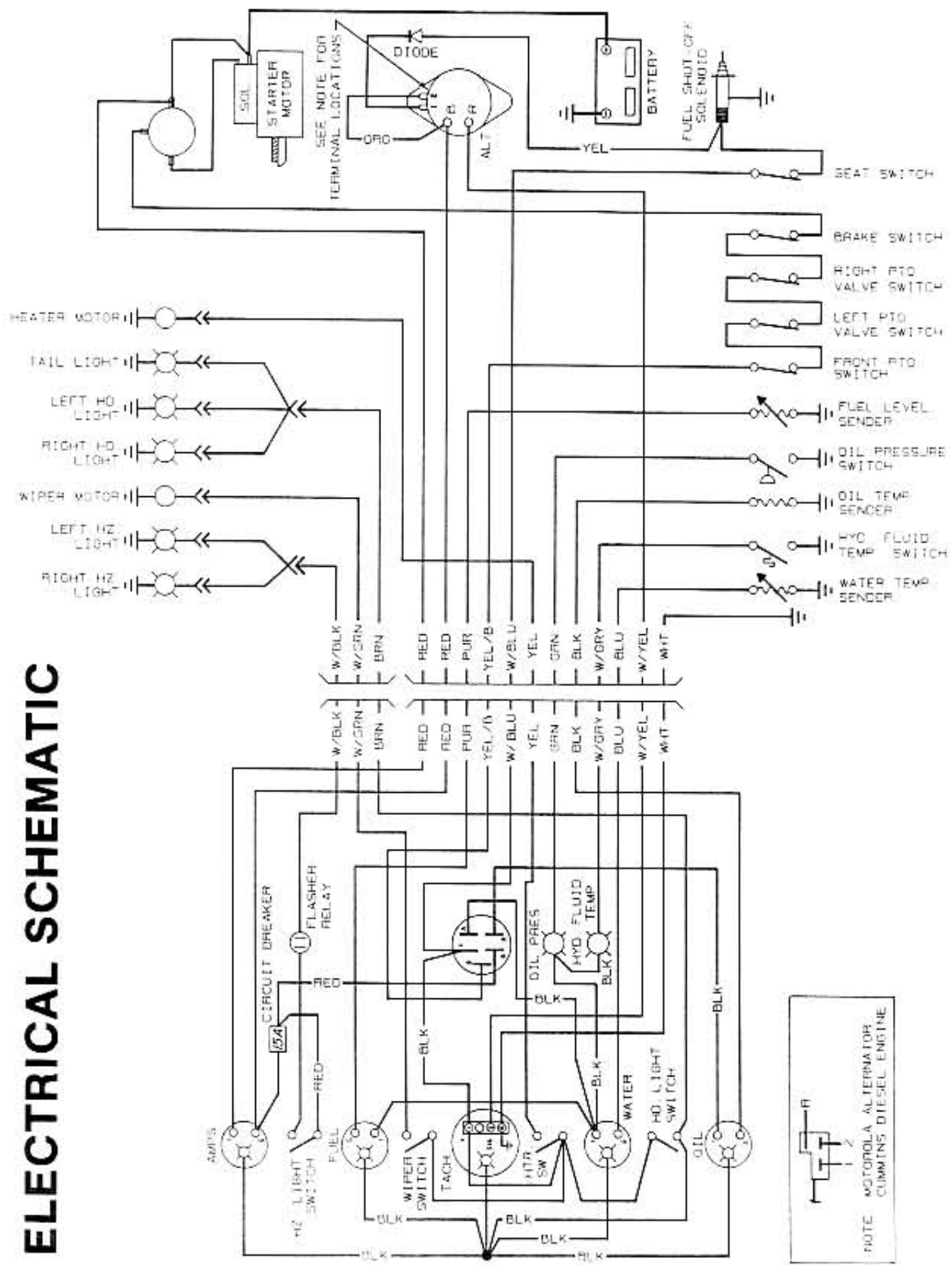
## PARTS MANUAL FOR SERIAL NOS. UP TO H-437-E

MODEL H-180 TRACTOR/PERKINS DIESEL  
MODEL RC72 ROTARY MOWER  
MODEL RR60 ROTARY MOWER  
MODEL RL60 ROTARY MOWER

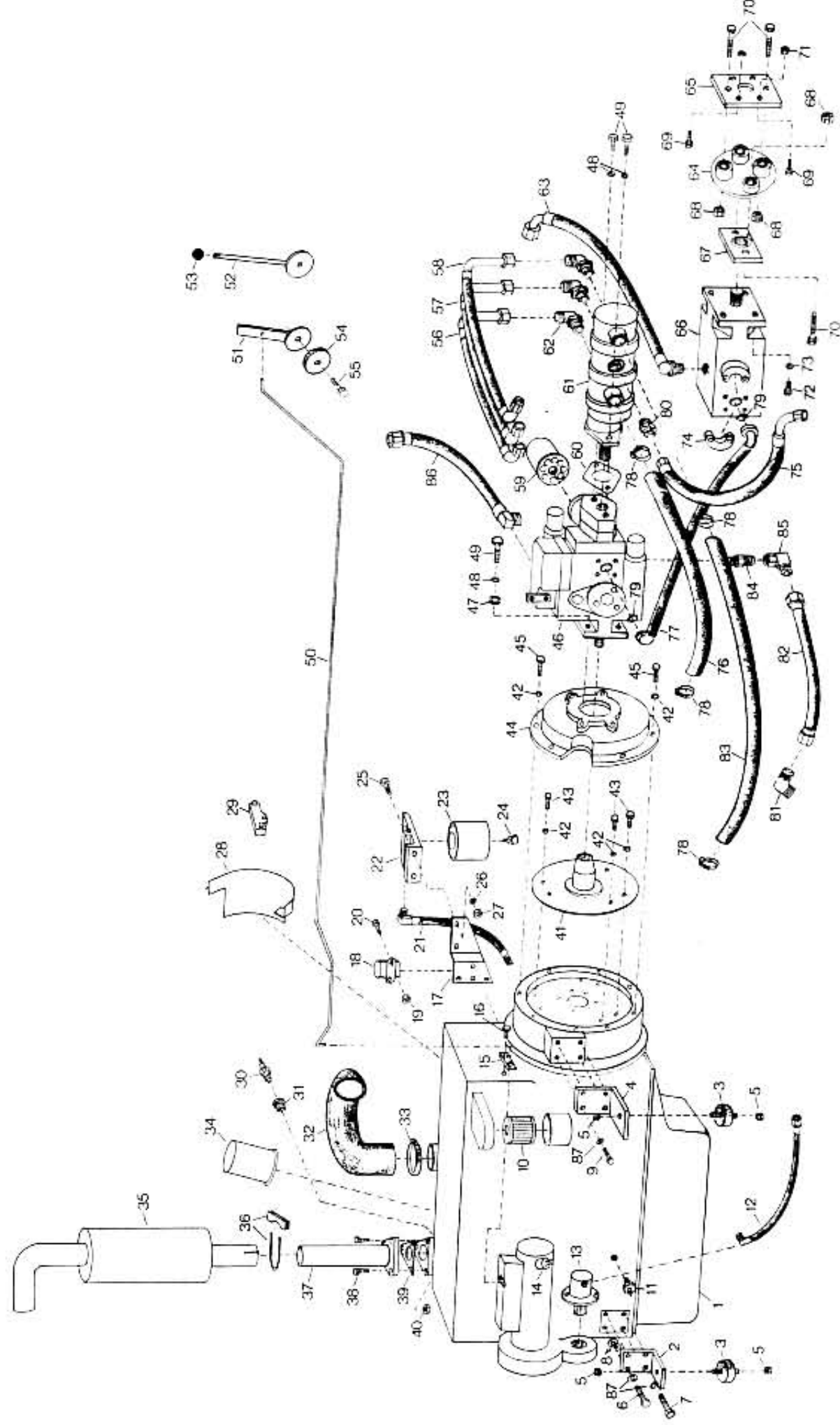
## INDEX

ELECTRICAL SCHEMATIC .....	3
PERKINS ENGINE ASSEMBLY .....	4
INSTRUMENT PANEL .....	6
FRAME/STEERING ASSEMBLY .....	8
FRAME/HYDRAULICS ASSEMBLY .....	10
VALVE BANK ASSEMBLY .....	12
COVERS & GUARDS .....	14
WING ARM ASSEMBLY .....	16
BRAKES/TRANSAXLE ASSEMBLY .....	18
TRANSMISSION (Sundstrand) .....	20
TRANSMISSION (Eaton) .....	22
DRIVE MOTOR (Sundstrand) .....	24
DRIVE MOTOR (Eaton) .....	26
DECK ASSEMBLY (One Piece Cover) .....	28
DECK ASSEMBLY (Three Piece Cover) .....	30
DECK MOTOR .....	32
TRIPLEX PUMP .....	33
STEERING VALVE ASSEMBLY .....	34
STEERING CYLINDER .....	35
LIFT CYLINDER .....	36

# ELECTRICAL SCHEMATIC

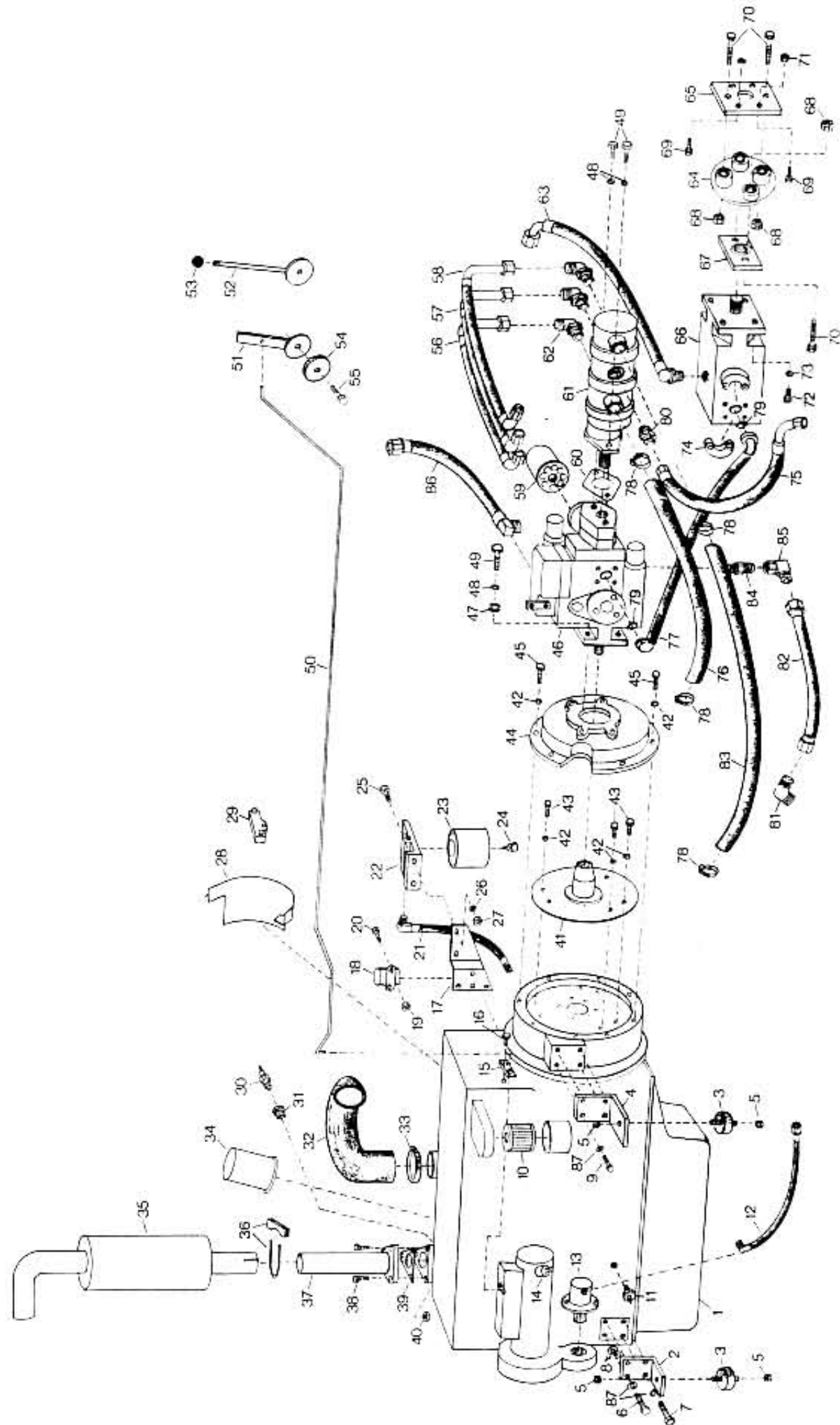


# PERKINS ENGINE ASSEMBLY



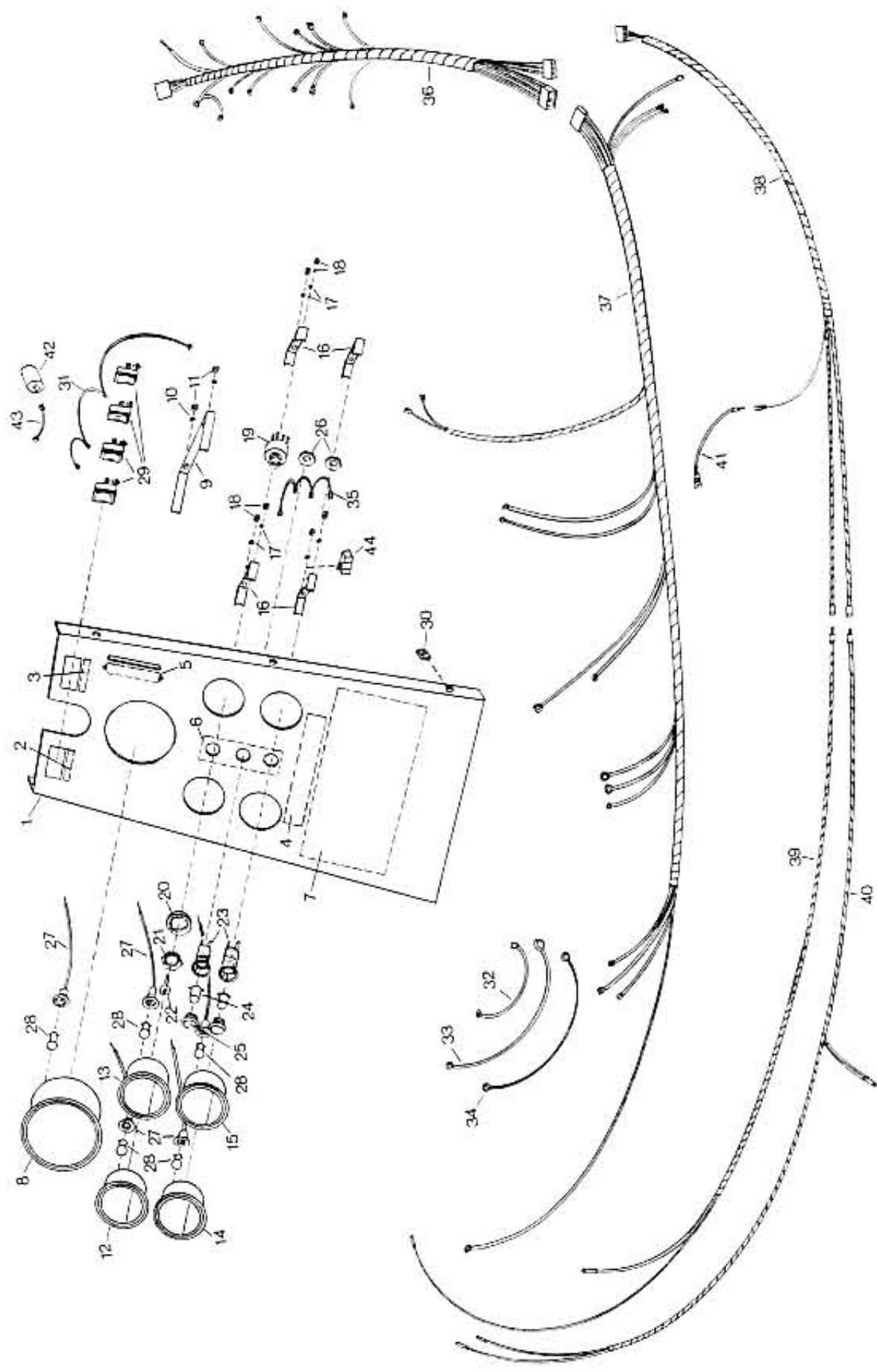
00-157 10/89

# PERKINS ENGINE ASSEMBLY



00-157 10/89

# INSTRUMENT PANEL



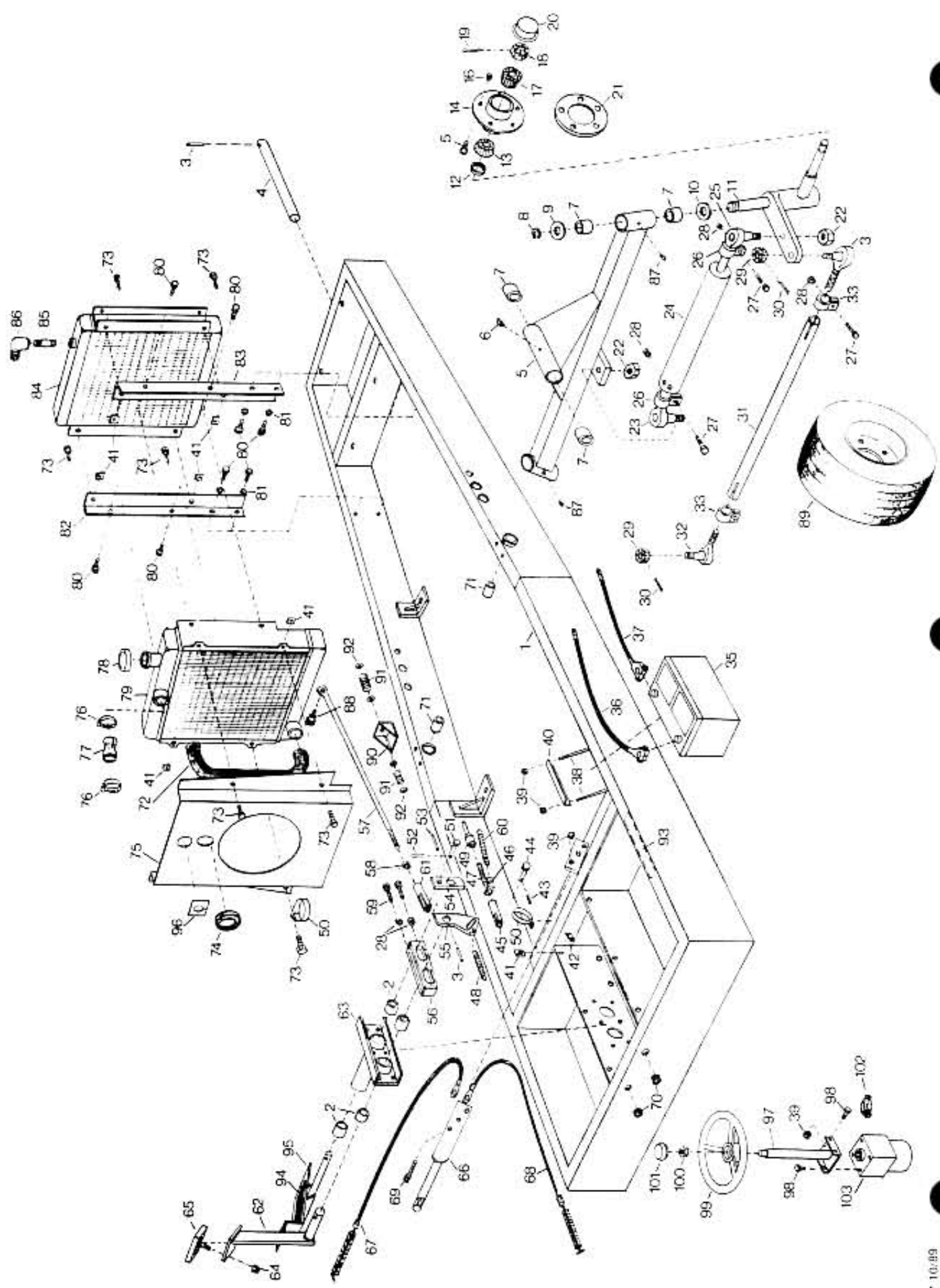
Item	Part #	No. Req'd.	Description
------	--------	------------	-------------

1	06-161	1	Instrument Panel
2	00-016A	1	Decal "Headlights & Heater"
3	00-017A	1	Decal "Hazard Lights & Wipers"
4	7029A	1	Decal "Warning"
5	00-014	1	Decal "Throttle"
6	00-018	1	Decal "Ignition Switch"
7	00-003B	1	Decal "Pedals"
8	02-280	1	Tachometer/Hourmeter
9	02-014A	1	Tachometer Mounting Bracket
10	1751	2	Lockwasher - 10 - 32
11	1752	2	Hex Nut - 10 - 32
12	02-051	1	Oil Temperature Gauge
13	02-052	1	Water Temperature Gauge
14	02-053	1	Ammeter
15	02-054	1	Fuel Gauge
16	02-055	4	Gauge Mounting Bracket
17	1751	8	Lockwasher - 10 - 32
18	1752	8	Hex Nut - 10 - 32
19	02-074A	1	Ignition Switch
20	1764	1	Star Washer - 9/16"
21	1765	1	Hex Nut - 9/16 - 18
22	5146	1	Ignition Key

Item	Part #	No. Req'd.	Description
------	--------	------------	-------------

23	02-024	2	Indicator Light Socket
24	02-025	2	Indicator Light Bulb
25	02-026	2	Indicator Light Lens
26	02-027	2	Hex Nut - 11/16" Special
27	02-028	5	Instrument Light Socket
28	02-274	5	Instrument Light Bulb
29	02-133	4	Rocker Switch
30	1732	6	"U" Nut - 1/4 - 20
31	02-033	1	Jumper Wire - Rocker Switches - BLK
32	02-032	1	Jumper Wire - All Resistor - DR
33	02-031	1	Jumper Wire - Secondary Solenoid - RED
34	02-034	1	Jumper Wire - Secondary Solenoid - YEL/BR
35	02-035	1	Jumper Wire - Ig. Switch - BLK
36	02-056	1	Instrument Panel Wiring Harness
37	02-211	1	Chassis Wiring Harness
38	02-282	1	Lighting Wiring Harness
39	02-041	1	ROPS Harness - Right
40	02-049	1	ROPS Harness - Left
41	02-042	1	Jack Assembly - Wipers
42	02-045	1	Flasher Relay
43	02-044	1	Jumper Wire - Flasher Relay - WHIT/BLK
44	5178	1	Circuit Breaker

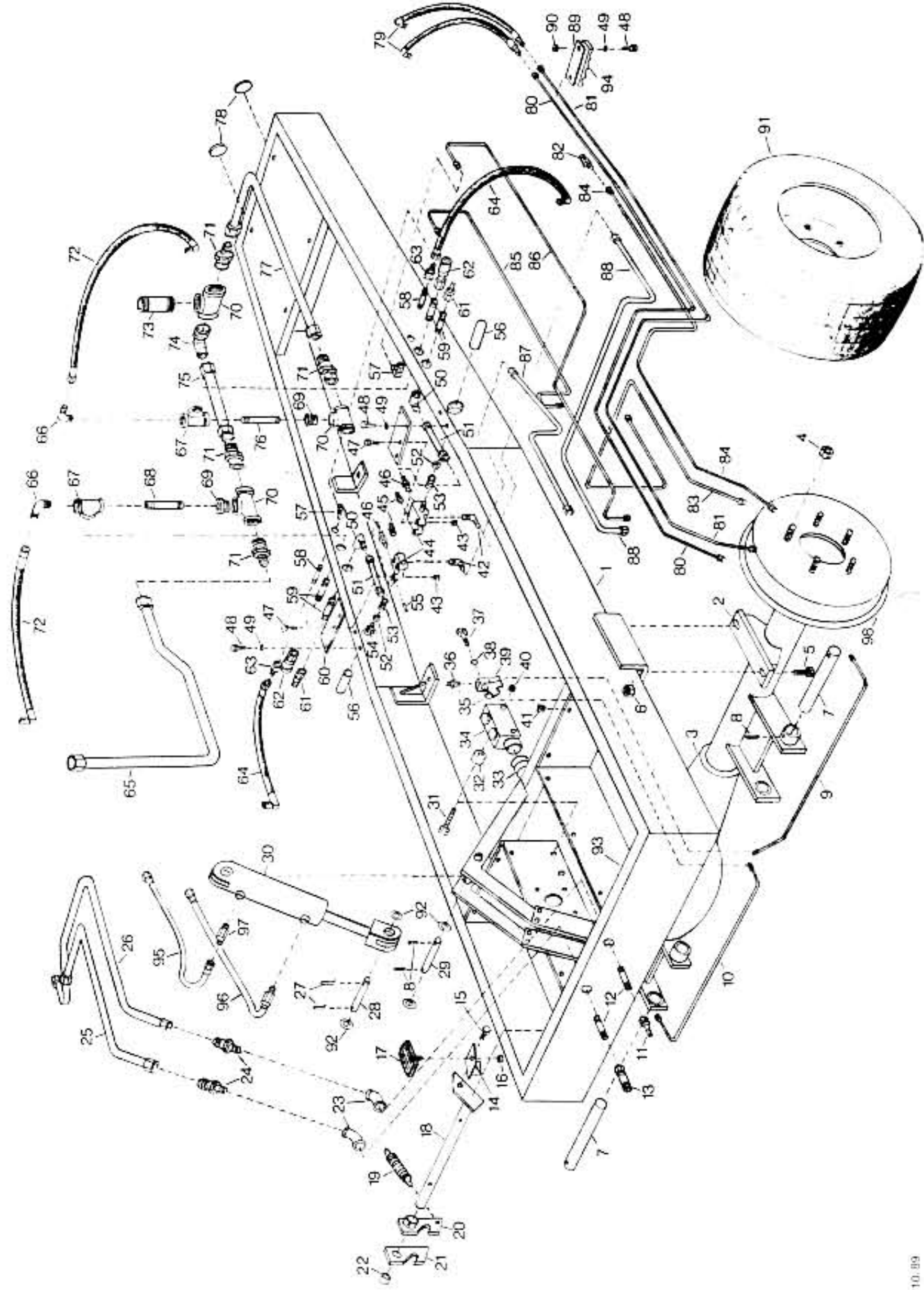
# FRAME/STEERING ASSEMBLY



00-157 10/89

Item	Part #	No. Req'd	Description
1	06-136	1	Frame
2	4121	4	Bushing - 1"
3	1149	2	Roll Pin - 1/4 x 1 1/2"
4	06-002	1	Rear Axle Pivot Pin
5	06-137	1	Rear Axle Assembly
6	1502	1	Grease Fitting - 90°
7	04-002	6	Bushing
8	04-004	2	Snap Ring
9	04-003	2	Supp. Washer - 1 1/4 x 1 1/2 - 14 ga.
10	04-005	2	Thrust Washer
11	06-212	1	Steering Spindle - Left
12	04-177	2	Seal
13	04-173	2	Bearing Cup - Inner
14	04-192	2	Bearing Cone - Inner
15	04-239	10	Stud
16	05-148	10	Lug Nut
17	04-174	2	Bearing Cup - Outer
18	1701	2	Slotted Hex Nut - 1 - 14
19	1609	2	Cotter Pin - 1/8 x 1 1/4"
20	04-107	2	Dust Cap
21	04-197	2	Wheel Spacer
22	1729	2	Nylon Half Nut - 3/8 - 18
23	04-108	1	Rod End Bearing - Right
24	03-001	1	Steering Cylinder
25	04-109	1	Rod End Bearing - Left
26	04-012	2	Clamp
27	1727	4	Bolt - 3/8 - 24 x 1 1/2" - Plated
28	1728	4	Hex Nut - 3/8 - 24 - Plated
29	1211	2	Castle Nut - 1/2 - 20
30	1609	2	Cotter Pin - 3/8 x 1 1/4"
31	06-007	1	Tie Rod
32	04-085	1	Tie Rod End - Left
33	04-016	2	Tie Rod Clamp
34	04-086	1	Tie Rod End - Right
35	02-059	1	Battery Cable - Neg.
36	02-119	1	Battery Cable - Neg.
37	02-070	1	Battery Cable - Pos.
38	04-017	2	Battery Hold-Down Studs
39	1111	5	Lock Nut - 5/16 - 18
40	04-096	1	Battery Hold-Down Bracket
41	1732	8	U-Nut - 1/4 - 20
42	06-144	1	Spring Tab
43	1600	1	Cotter Pin - 3/32 x 1"
44	1791	1	Clevis Pin - 3/8 x 1"
45	04-152	1	Clevis
46	06-142	1	Spring Tab
47	06-143	1	Brake Push Rod
48	4114	2	Spring
49	06-127	1	Brake Push Rod
50	04-176	2	Hose Restraint Clamp
51	1791	1	Clevis Pin - 3/8 x 1"
52	1600	1	Cotter Pin - 3/32 x 1"
53	1133	1	Roll Pin - 1/4" x 2"
54	06-141	1	Hydro Lever
55	06-140	1	Brake Lever
56	06-139	1	Hydro Safety Strap
57	06-146	1	Hydro Linkage Rod
58	2039	1	Hexnut - 1/2 - 20 Plated
59	1000	2	Bolt - 1/2 - 20 x 3/4"
60	5013	1	Spring
61	04-152	1	Clevis
62	06-145	1	Brake Pedal Lever
63	06-138	1	Pedal Shaft Pivot Bracket
64	1728	1	Hexnut - 3/8 - 24
65	5276	1	Brake Pedal Pad
66	04-149	1	Eng. Brake Lever Assy.
67	06-270	1	Brake Cable - Long
68	06-269	1	Brake Cable - Short
69	1025	3	Bolt - 5/16 - 18 x 2"
70	04-240	4	Grommet
71	04-020	2	Bushing
72	04-098	1	Radiator Hose - Bottom
73	1000	8	Bolt - 3/4 - 20 x 3/4"
74	06-027	1	Hose Grommel
75	06-102	1	Fan Shroud
76	04-038	4	Hose Clamp
77	04-097	1	Radiator Hose - Top
78	06-024	1	Radiator Cap
79	06-101	1	Radiator
80	1957	8	Bolt - 3/8 - 16 x 1"
81	1202	4	Lockwasher - 3/8"
82	06-100	1	Radiator Mt. Bkt. - Right
83	06-099	1	Radiator Mt. Bkt. - Left
84	03-003	1	Oil Cooler
85	03-100	1	Nipple - 1 x 4 1/2"
86	03-358	1	Fitting - 90°
87	1500	1	Grease Fitting - Straight
88	1737	1	Shoulder Bolt - 3/8 x 3/8"
89	06-195A	2	Rear Wheel/Tire Assy.
90	06-196A	2	Wheel Only
91	05-006	1	Tire Only
92	5081	1	Repair Tube
93	06-325	1	Trans. Neutral Bracket
94	08-103	2	Spring
95	1231	4	Flatwasher - 1/2" SAE
96	00-049	2	Anti-Skid - Frame
97	00-048	1	Anti-Skid - Pedal
98	06-192	1	Hydro Control Pedal
99	06-369	1	Rubber Seal
100	03-031	1	Steering Column
101	1020	8	Bolt - 5/16 - 18 x 3/4"
102	04-027	1	Steering Wheel
103	03-036	1	Wheel Nut
104	04-028	1	Steering Whl. Cap
105	03-368A	1	Fitting - 45°
106	03-378	1	Steering Valve

# FRAME/HYDRAULICS ASSEMBLY



00-117-10-89

10

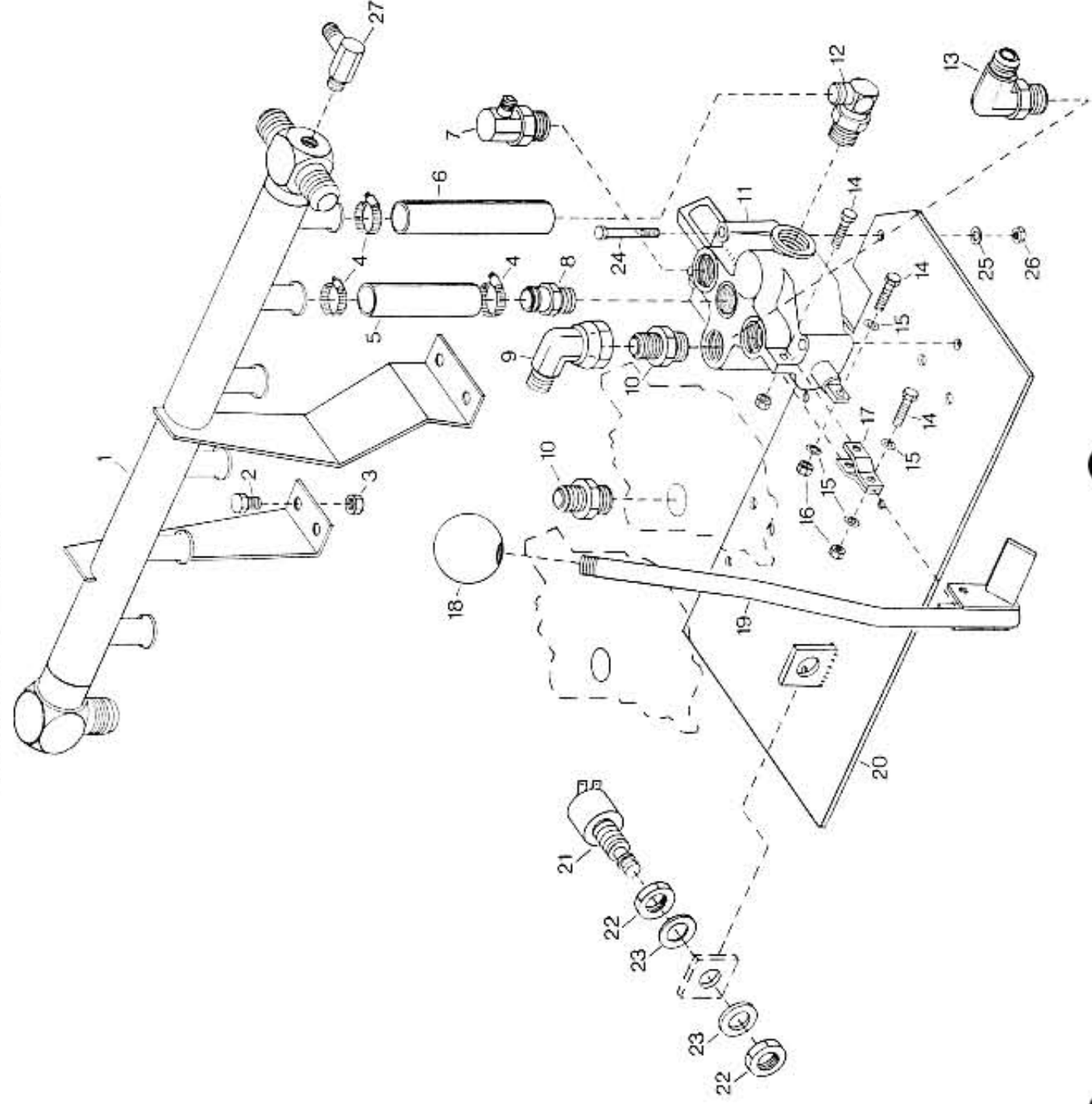
Item	Part #	No. Req'd.	Description
1	06-136	1	Frame Assy.
2	06-249	2	Axle Pad
3	06-124	1	Transaxle Assy
4	04-061	10	Lug Nut
5	17-36	4	Bolt - 1/2 - 13 x 1 1/2"
6	17-47	4	Locknut - 1/2 - 13
7	06-032	2	Push Arm Pivot Pin
8	16-08	4	Cotter Pin - 1/8 x 2"
9	04-155	1	Brake Line - 30"
10	04-156	1	Brake Line - 20"
11	13-347	2	Coupling Half Fitting
12	03-725	1	Nipple - 1/2 x 3 1/2"
13	13-347	1	Coupling Half Fitting
14	06-221	1	Pedal Mount Brkt.
15	16-94	1	Bolt - 5/16 - 18 x 1/2" Gr. 5
16	16-03	1	Locknut - 3/8 - 24 ESNA
17	5276	1	Pedal Pad
18	06-220	1	Front Lock Shaft
19	4114	1	Spring
20	06-218	1	Front Lock - Left
21	06-219	1	Front Lock - Right
22	4122	2	Bushing - 3/8" I.D. x 1" O.D.
23	03-110	2	Fitting - 1/2" - 45°
24	03-084	2	Fitting - Straight
25	03-626	1	Front Pressure Tube - Right
26	03-627A	1	Front Pressure Tube - Left
27	16-08	2	Cotter Pin - 3/8 x 2"
28	06-153	1	Front Cyl. Lift Pin
29	06-152	1	Front Cyl. Rear Pin
30	03-007A	1	Front Lift Cylinder
31	19-06	2	Bolt - 7/16 - 14 x 4" Gr. 5
32	05-021	2	Spacer
33	06-126	1	Rubber Boot
34	06-125	1	Brake Master Cylinder

Item	Part #	No. Req'd.	Description
35	06-130	1	Gasket
36	02-118	1	Pressure Switch
37	06-129	1	Line Bolt
38	06-131	1	Gasket
39	06-128	1	Fitting Block
40	17-45	1	Hexnut - 7/16 - 14
41	17-32	1	"U" - Nut - 1/4 - 20
42	03-366	2	Fitting - 90°
43	1110	4	Locknut - 1/4 - 20
44	03-623	1	Wing Valve - Left
45	03-624	1	Wing Valve - Right
46	03-363	2	Plug
47	03-362	2	Fitting - Straight
48	1019	4	Bolt - 1/4 - 20 x 1 1/4" Gr. 5
49	1957	5	Bolt - 3/8 - 16 x 1" Gr. 5
50	1202	5	Lockwasher - 3/8"
51	03-357	2	Fitting - 90°
52	03-625	2	Wing Valve Tube
53	1222	8	Flatwasher - 3/8"
54	04-289	2	Wing Valve Spring
55	1957	2	Bolt - 3/8 - 16 x 1"
56	1600	2	Cotter Pin - 3/32 x 1"
57	06-151	2	Wing Valve Push Rod
58	03-354	2	Fitting - 90°
59	03-096	2	Nipple - 3/8 x 3"
60	03-098	4	Nipple - 1/2 x 3"
61	06-048A	1	Wing Valve Mt. Plate - Rt. or Lt.
62	13-347	4	Coupling Half
63	03-725	2	Nipple - 1/2 x 3 1/2"
64	03-352	2	Fitting - Straight
65	03-049	2	Hose - Wing Lift Cyl., Bottom
66	03-628A	1	Manifold Return Tube
67	13-277	2	Fitting - 90°
68	03-113	2	Fitting - "T" - 1/2"

Item	Part #	No. Req'd.	Description
69	03-099A	1	Nipple - 1/2" x 4 1/2"
70	03-105	3	Reducer Bushing - 1" x 1/2"
71	03-114	3	Fitting "T" - 1"
72	03-088	3	Fitting - Straight
73	03-050	2	Hose - Wing Lift Cyl., Top
74	03-100	1	Nipple - 1 x 4 1/2"
75	03-353	1	Fitting - 90°
76	03-638	1	Rt. Return Tube
77	03-099A	1	Nipple - 1/2 x 4 1/2"
78	03-629	1	Lt. Return Tube
79	04-081	2	Reflector
80	03-048	2	Steering Cyl. Hose
81	03-634A	1	Left Steering Valve Tube
82	03-635A	1	Right Steering Valve Tube
83	03-751	1	Fitting - Reducer
84	03-636A	1	Steering Valve Press. Tube
85	03-637B	1	Steering Valve Return Tube
86	03-632A	1	Right Lift Tube
87	03-633A	1	Left Lift Tube
88	03-630	1	Right Pressure Tube
89	03-631	1	Left Pressure Tube
90	06-244	1	Hose Clamp - Multiple Steel
91	1103	1	Hexnut - 3/8 - 16
92	06-120	2	Drive Wheel/Tire Assy.
93	06-121	2	Wheel Only
94	06-122	2	Tire Only
95	06-327	2	Repair Tube
96	1408	4	Flatwasher - 1" SAE
97	00-020B	1	Decal - Lift Release
98	06-191	21	Multi-Tube Clamp - Plastic
99	13-340	1	Hose - Lift Return
100	03-051A	1	Hose - Lift Pressure
101	03-780	1	Fitting - 90°
102	06-189	2	Brake Drum

11

# VALVE BANK ASSEMBLY



00-157 10/89

12

Item	Part #	No. Req'd.	Description
------	--------	------------	-------------

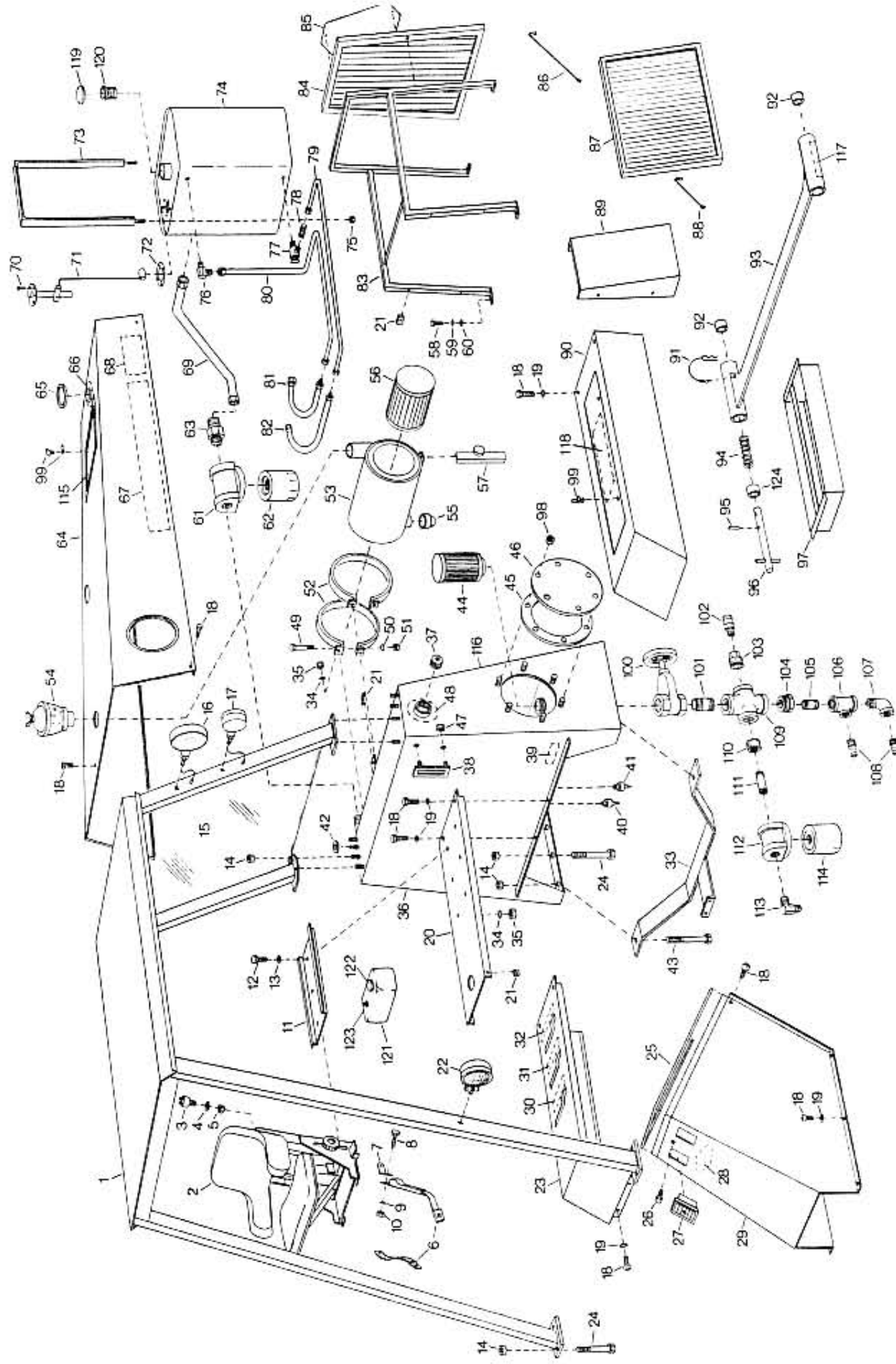
1	13-237	1	Manifold
2	1030	4	Bolt - 3/8 - 16 x 3/4"
3	1112	4	Locknut - 3/8 - 16
4	6023	12	Hose Clamp
5	13-400	3	Hose
6	13-262	3	Hose
7	03-365	1	Fitting - 90°
8	13-264	3	Fitting - Straight
9	03-713	3	Fitting - 90°
10	03-362	4	Fitting - Check Valve
11	03-606	3	Blade Valve
-	03-714	-	Valve Seal Kit
12	13-238	3	Fitting - 90°
13	03-366	2	Fitting - 90°

Item	Part #	No. Req'd.	Description
------	--------	------------	-------------

14	1003	9	Bolt - 1/4 - 20 x 1"
15	1220	12	Flatwasher - 1/4"
16	1110	9	Locknut - 1/4 - 20
17	06-154	6	Control Link
18	06-329	3	Knob
19	06-155	3	Control Lever
20	06-103	1	Valve Mount Plate
21	5221	3	Safety Switch
22	1805	6	Half Nut - 5/8 - 32, Special
23	1798	6	Internal Starwasher - 5/8"
24	1008	6	Bolt - 1/4 - 20 x 2 1/4"
25	1220	6	Flatwasher - 1/4"
26	1110	6	Locknut - 1/4 - 20
27	03-780	1	Fitting - 90°



# COVERS & GUARDS



00-157 10/69

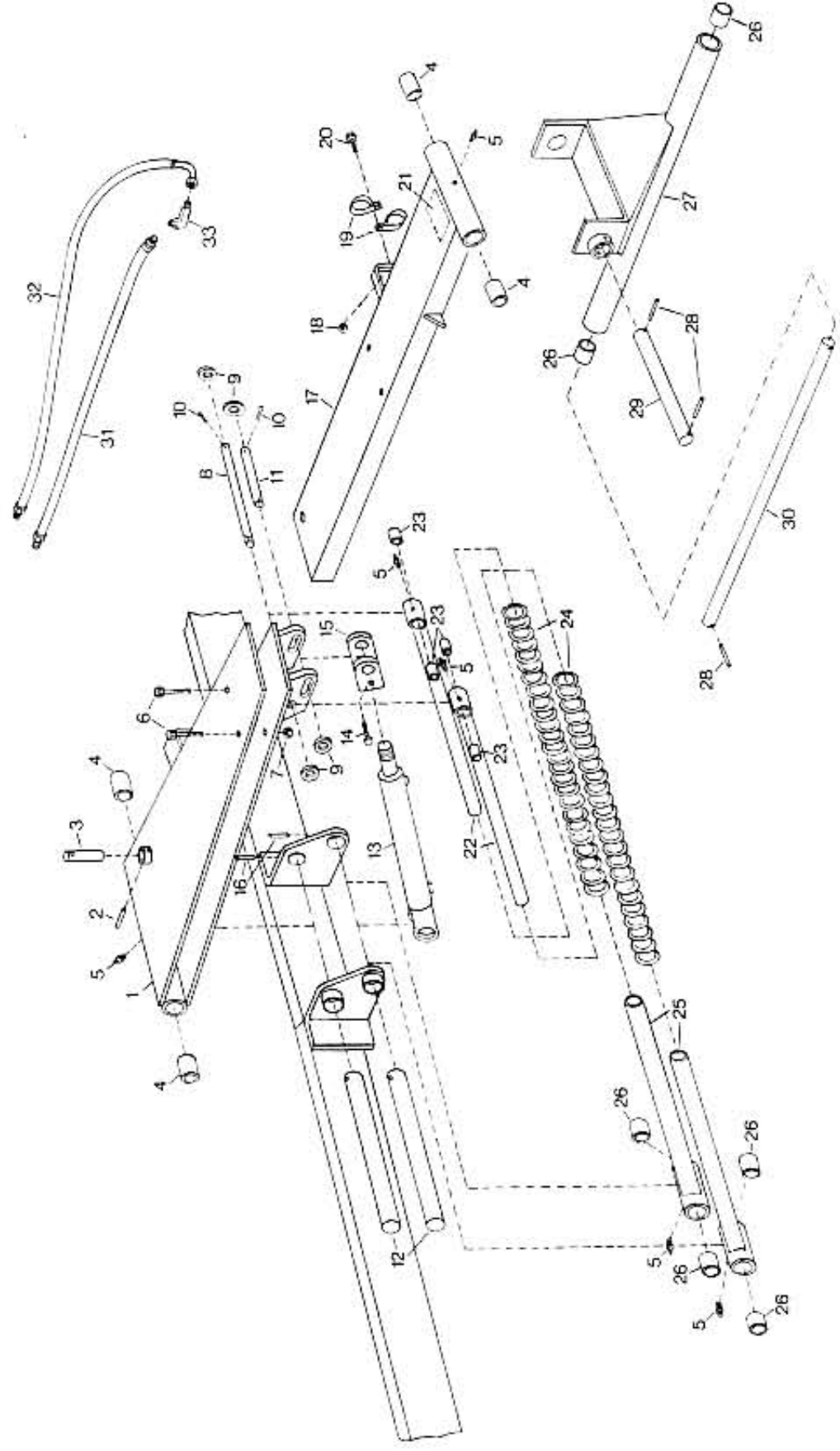
14

Item	Part #	No. Req'd	Description
1	06-064	1	ROPS Assembly
-	06-254	1	Roof Insulation
-	00-029	1	Decal-"OSHA Approved"
2	04-047	1	Seat
3	5221	1	Seat Safety Switch
4	1798	2	Starwasher
5	1805	1	Hexnut - 1/2 - 32
6	04-049	1	Seat Belt
7	04-048	2	Angle Bracket
8	1749	2	Bolt-7/16 - 20 x 1" Full Thd.
9	1204	2	Lockwasher
10	1750	2	Hexnut - 7/16 - 20
11	04-046	1	Seat Bracket
12	1213	6	Bolt - 5/16-18 x 1" Gr.5
13	1221	6	Flatwasher - 5/16"
14	1747	18	Locknut - 1/2 - 13
15	06-200	1	Rear Plexiglass
16	02-006	2	Hazard Light Assy.
-	02-011	-	Replacement Bulb
-	02-012	-	Replacement Lens
17	02-007	1	Tail Light Assy.
-	02-010	-	Replacement Bulb
18	1951	30	Phi. Hd. Screw-1/2 - 20 x 1/2"
19	1220	30	Flatwasher - 1/2"
20	06-157A	1	Seat Mount Plate
-	06-251	1	Insulation
21	1732	11	U-Nut - 1/2 - 20
22	02-004	2	Headlight Assy.
-	02-005	-	Replacement Bulb
23	06-158	1	Control Valve Cover
-	06-252	1	Insulation
24	1746	8	Bolt - 1/2 - 13 x 7" Gr.8
25	04-059	1	Trim Edge
26	02-042	1	Jack Assy. - Wipers
27	04-058	2	Vent Louver
28	00-025	1	Decal - "Logo"
29	06-160	1	Instrument Cowling
30	00-030	1	Decal-"Front Unit"
31	00-031	1	Decal-"Left Unit"
32	00-032	1	Decal-"Right Unit"
-	00-058	1	Decal-"Interlock" (Not Shown)
-	7024	1	Decal-"Upright" (Not Shown)
33	06-247	1	Skid Plate
34	1201	10	Lockwasher - 5/16"
35	1102	10	Hexnut - 5/16 - 18
36	06-156	1	Reservoir
37	03-364	1	Reservoir Filler Plug
38	03-156	1	Fluid Level Sight Glass
39	7037	1	Decal-Serial No.

Item	Part #	No. Req'd	Description
-	00-012	1	Decal-Vinyl Overlay
40	02-049	1	Temp. Sender Unit
41	02-106	1	Temp. Safety Switch
42	06-043	8	Reservoir Seal Washer
43	1840	2	Bolt - 1/2 - 13 - 7 1/2" Gr.8
44	03-155	1	Suction Strainer
45	04-045	1	Gasket
46	06-066	1	Clean-Out Cover
47	1101	2	Hexnut - 1/4 - 20
48	00-007	1	Decal - "Hydraulic Fluid"
49	1011	2	Bolt - 1/4 - 20 x 3"
50	1200	2	Lockwasher - 1/4"
51	1101	2	Hexnut - 1/4 - 20
52	04-051	2	Aircleaner Bracket
53	04-052	1	Air Cleaner Assy.
54	06-321	1	Pre-Cleaner
-	00-037	1	Decal - "Ether"
55	04-053	1	Rubber Clean-Out
-	04-054	1	Hose Clamp
56	04-055	1	Air Cleaner Element
57	04-056	1	Element Retainer
58	1957	4	Bolt - 3/8 - 16 x 1"
59	1202	4	Lockwasher - 3/8"
60	1222	4	Flatwasher - 3/8"
61	03-163A	1	Return Line Filter-Complete
62	03-164	1	Return Line Filter Element
63	03-350	1	Fitting - Straight
64	06-111	1	Hood
-	06-114A	1	Hood Insulation
65	06-077	1	Rubber Grommet
66	00-008	1	Decal - "Fuel"
67	00-044	1	Decal - "Diesel Only"
68	00-012	1	Decal - "Hydro-Power"
69	00-013	1	Decal - "180"
70	03-644	1	Tube-Oil Cooler Return
71	1755	5	Bolt - 8 - 32 x 1/2"
72	06-074	1	Fuel Level Sender
73	06-075	1	Gasket
74	06-073	2	Fuel Tank Strap
75	06-071	1	Fuel Tank
76	1103	4	Hexnut - 3/8 - 16
77	03-617	1	Fitting - 90°
78	03-619	1	Gas Shutoff Valve
79	04-316	1	Fitting-Straight
80	04-089	1	Fuel Line
81	13-437	1	Diesel Return Tube
82	13-438	1	Return Hose
-	00-012	1	Decal-Vinyl Overlay
83	06-070	1	Screen Support Frame
84	06-086	1	Rear Screen
85	04-072	1	SMV Emblem
86	04-071	2	Rear Screen Retainer Spring
87	06-085	2	Side Screen
88	04-070	4	Side Screen Retainer Spring
-	06-107	1	Edge Seal (Not Shown)
89	05-107	1	Radiator Cover-LEFT
-	06-108	1	Radiator Cover-RIGHT
90	06-159	1	Battery Cover
-	06-251	1	Insulation
91	04-140	2	Wing Safety Lock Pin
92	4121	4	Bushing - 1"
93	06-082	1	Wing Lock Bar
94	04-069	2	Wing Lock Spring
95	1149	2	Roll Pin - 1/2 x 1 1/2"
96	06-083	2	Wing Lock Pin
-	06-062A	2	Handle (Not Shown)
97	06-246	1	Tool Box
98	1101	12	Hexnut - 1/4 - 20
99	04-050 A/B	5	Latch Knob/Striker
100	03-157	1	Reservoir Shutoff Valve
101	03-102	1	Nipple 2" Close
102	13-433	1	Fitting - Straight
103	13-442	1	Reducer Bushing - 2" x 1"
104	03-109	1	Reducer Bushing - 2" x 1 1/2"
105	03-435	1	Nipple - 1 1/2" Close
106	03-115A	1	Fitting - 1 1/2" Tee
107	03-373	1	Fitting - 1 1/2" 90° Elbo
108	03-621	2	Filter Tank Adaptor
109	03-481	1	Fitting - 2" Cross
110	03-108	1	Reducer Bushing
111	03-103	1	Nipple - 3/4" Close
112	03-160	1	Transmission Filter Assy.
113	03-758	1	Fitting - 90°
114	03-161	1	Trans. Filter Element
115	06-323	1	Hood Screen
116	00-021	1	Decal - Tank Valve
117	00-010	1	Decal-Wing Lock - L
-	00-011	1	Decal-Wing Lock - R
-	00-002	1	Decal - Instruction
-	00-056	1	Decal - Manuals (Not Shown)
119	06-072	1	Fuel Tank Cap
120	06-331	1	Screen Filter
121	04-264	1	Hyd. Overflow Reservoir
122	04-322	1	Reservoir Cap
123	04-323	1	Reservoir Grommet
124	04-130	2	Bushing - 1 1/2"

15

# WING ARM ASSEMBLY



00-157 10, 89

16

Item Part # No. Req'd. Description

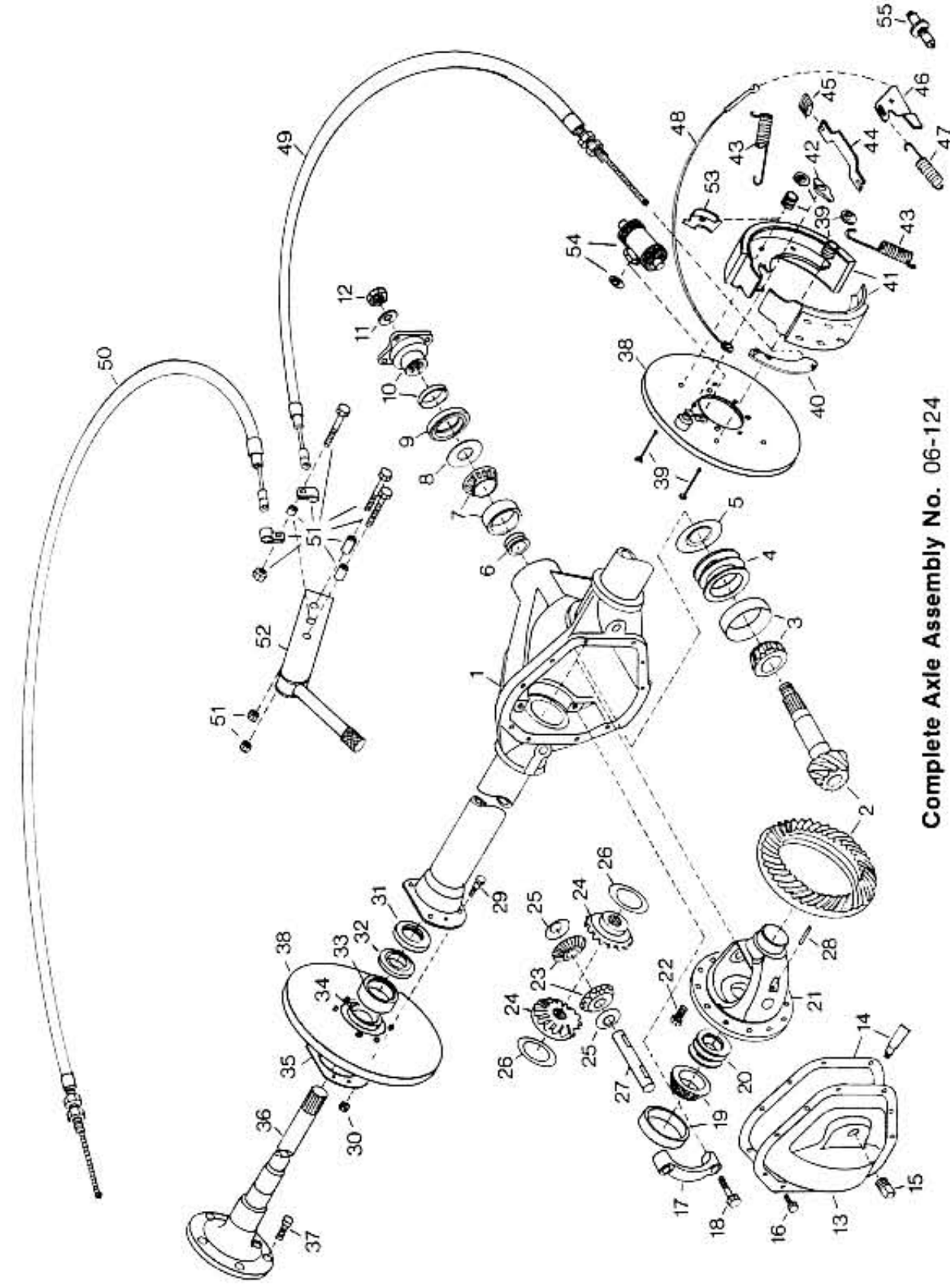
1	06-033	1	Wing Hinge Assy. - L
—	06-034	1	Wing Hinge Assy. - R
2	1132	2	Roll Pin - 1/4" x 1 1/2"
3	06-035	2	Break-Away Pivot Pin
4	04-020	8	Bushing - 1 1/4 I.D. x 1 1/2" O.D.
5	1500	12	Grease Fitting
6	1982	4	Shear Bolt - 3/8 - 16 x 3" Gr. 2
7	1112	4	Locknut - 3/8 - 16
8	06-037	2	Spring Guide Pivot Pin
9	1226	8	Flatwasher - 1"
10	1608	8	Cotter Pin - 3/8 x 2"
11	06-038	2	Lift Cylinder Clevis Pin
12	06-036	4	Wing Hinge Pivot Pin
13	03-004A	1	Wing Lift Cylinder - L
—	03-005A	1	Wing Lift Cylinder - R
—	03-724	—	Cylinder Repair Kit
14	1733	2	Clevis Clamp Bolt - 3/8 - 16 x 1 3/4"
15	03-006	2	Clevis - Lift Cylinder
16	1149	4	Roll Pin - 1/2 x 1 3/8"
17	06-041	1	Wing Arm - L

Item Part # No. Req'd. Description

—	06-042	1	Wing Arm - R
18	1110	2	Locknut - 1/4 - 20
19	04-141	4	Hose Clamp
20	1003	2	Bolt - 1/4 - 20 x 1"
21	00-001	2	Decal - "Spring Loaded Arm"
22	06-039	4	Upper Spring Guide
23	4121	8	Bushing
24	04-021	4	Counter-Balance Spring
25	06-040	4	Lower Spring Guide
26	04-002	8	Bushing - 1 1/4 I.D. x 1 1/2" O.D.
27	07-109	1/60"	Joiner Bracket
28	1132	4	Roll Pin - 1/4 x 1 1/2"
29	06-036	1	Upper Pivot Pin
30	07-111	1	Lower Pivot Pin
31	03-647	1/60"	Hose - Blkhd. to Wing Motor
32	03-648	1/60"	Hose - Blkhd. to Wing Motor
33	03-370	1	Fitting - 90"

17

# BRAKES/TRANSAXLE ASSEMBLY

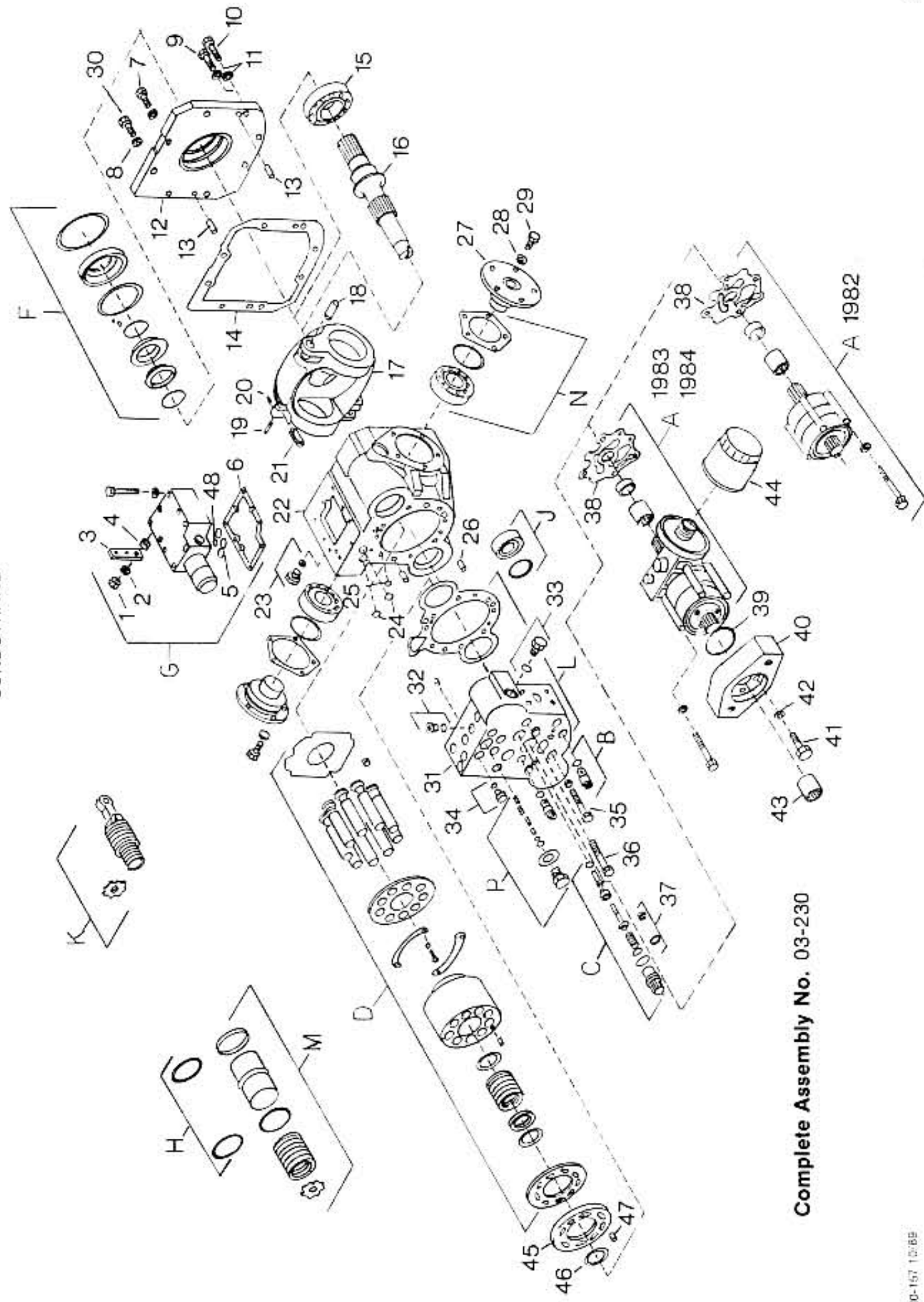


Complete Axle Assembly No. 06-124

Item	Part #	No. Req'd.	Description
1	06-162	1	Axle Housing
3	06-169	1	Inner Pinion Bearing Kit
7	06-170	1	Outer Pinion Bearing Kit
9	06-171	1	Pinion Seal
10	06-174	1	Companion Flange Assembly
11	06-172	1	Pinion Washer
12	06-173	1	Pinion Nut
15	06-175	1	Cover Plug
16	06-176	10	Carrier Cover Bolt
18	06-177	4	Differential Bearing Cap Bolt
19	06-178	2	Differential Bearing Kit
22	06-179	12	Drive Gear Bolt
28	06-180	1	Differential Shaft Lock
29	06-181	12	Brake Mounting Bolt
30	06-182	12	Brake Mounting Nut
31	06-183	2	Shaft Inboard Seal
32	06-184	2	Wheel Bearing Retaining Ring
33	06-185	2	Bearing Assembly
34	06-186	2	Shaft Outboard Seal
35	06-187	2	Oil Seal Retainer
37	06-188	10	Wheel Bolt
38	06-267	1	Backing Plate - L
—	06-268	1	Backing Plate - R
39	06-205	4	Brake Return Spring Kit
40	06-225	1	Parking Brake Lever - L
—	06-226	1	Parking Brake Lever - R
41	06-207	2	Brake Shoe Kit
42	06-227	2	Shoe Guide Plate
43	06-228	4	Brake Shoe Return Spring
44	06-229	2	Strut
45	06-230	2	Strut Spring
46	06-231	1	Auto Adj. Lever - L
—	06-232	1	Auto Adj. Lever - R
47	06-206	2	Auto Adj. Spring
48	06-233	2	Cable Assy.
49	06-269	1	Brake Cable - Short
50	06-270	1	Brake Cable - Long
51	04-194	1	Brake Lever Hardware Kit
52	04-149	1	Emg. Brake Lever Assy.
53	06-234	2	Cable Guide
54	06-209	2	Wheel Cyl. - Complete
—	06-208	1	Wheel Cyl. Repair Kit
55	06-235	1	Adjusting Screw - R
—	06-236	1	Adjusting Screw - L
—	06-163	—	Kit - Drive Gear & Pinion Assy Includes 2,3,4,5,6,7,8,9,11,12,14,20,22
—	06-164	—	Kit - Differential Case Assy Includes 14,19,20,21,22,23,24,25,26,27,28
—	06-165	—	Kit - Differential Parts Includes 14,22,23,24,25,26,27,28
—	06-166	—	Kit - Axle Shaft Assy. Includes 31,32,33,34,35,36,37
—	06-167	—	Kit - Unit Bearing & Seal Includes 31,32,33,34,35
—	06-168	—	Kit - Gear Carrier Cover Includes 13,14,15,16

# TRANSMISSION

SUNDSTRAND



Complete Assembly No. 03-230

00-157 10-89

20

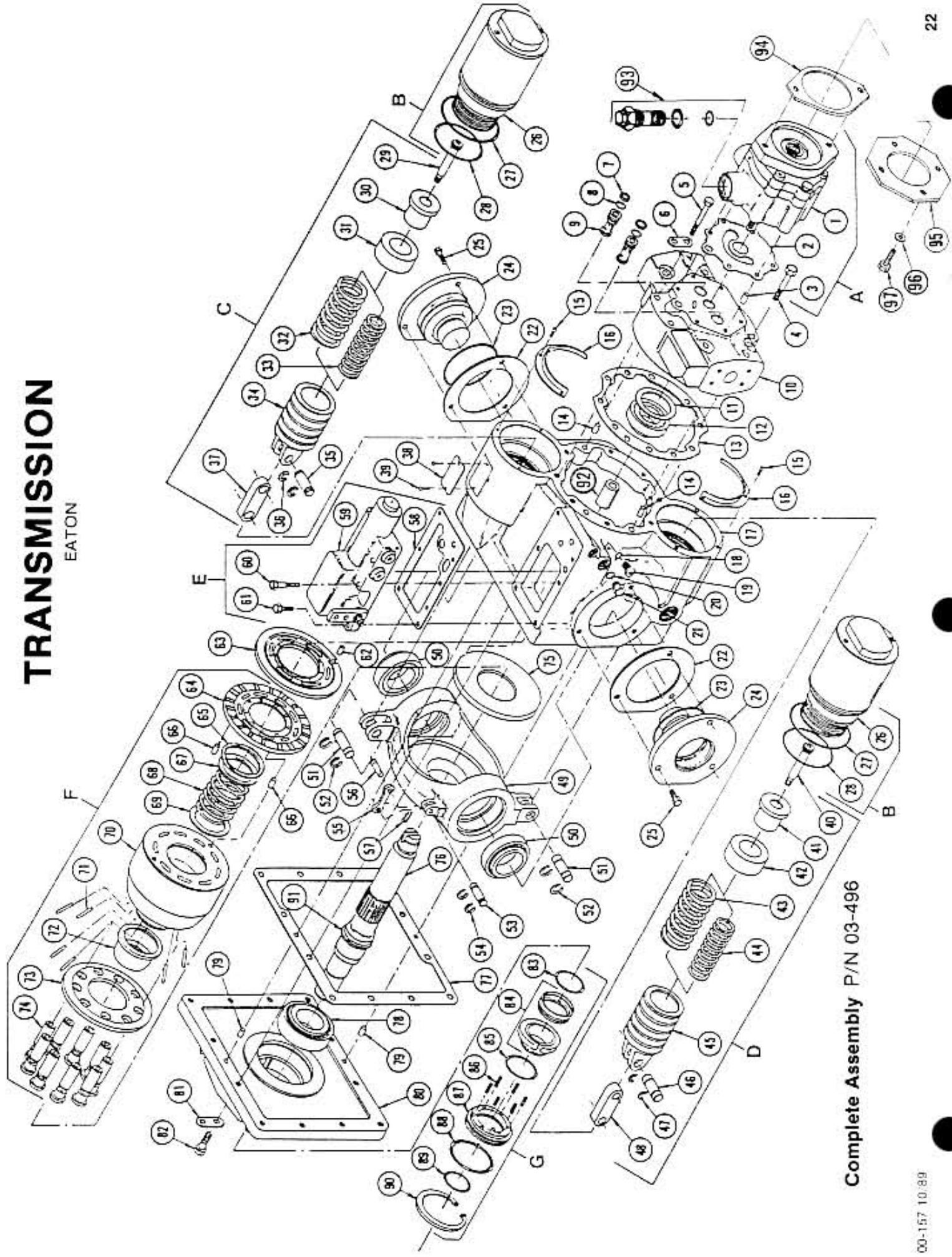
Item	Part #	No. Req'd.	Description
1	03-592	1	Hex Nut
2	03-591	1	Star Washer
3	03-590	1	Lever
4	03-589	1	Spacer
5	03-570	3	"O" Ring
6	03-585	1	Gasket
7	03-925	1	Hex Head Bolt
8	03-926	2	Spacer
9	03-922	4	Bolt
10	03-903	1	Bolt
11	03-515	8	Flatwasher
12	03-902	1	Front Cover
13	03-559	2	Pin
14	03-950	1	Gasket
15	03-861	1	Bearing Kit - Large
16	03-900	1	Shaft
17	03-895	1	Swash Plate
18	03-896	2	Pin
19	03-898	1	Pin - Swash Pit. Pivot
20	03-897	1	Roll Pin
21	03-899	1	Link - Swash Pit. Conn.
22	03-909	1	Housing
23	03-846	1	Plug
24	03-910	2	"O" Ring
25	03-908	1	"O" Ring
26	03-559	2	Pin
27	03-913	2	Trunion
28	03-515	10	Flatwasher
29	03-911	10	Hex Head Bolt
30	03-562	2	Hex Head Bolt
31	03-587	1	Orifice

Item	Part #	No. Req'd.	Description
32	03-920	6	Plug
33	03-907	2	Plug
34	03-567	2	Plug
35	03-877	4	Bolt
36	03-876	4	Bolt
37	03-921	2	Seal Kit - Pres. Limiter
38	03-873	1	Gasket - Chg. Pump
39	03-948	1	"O" Ring
40	03-870	1	SAE B Flange
41	13-002	3	Bolt
42	13-003	3	Lockwasher
43	03-875	1	Coupling
44	03-345	1	Filter Element
45	03-878	1	Valve Plate
46	03-893	1	Pilot Ring
47	03-520	1	Pin
48	03-918	1	"O" Ring - Pressure Limiter
A	03-931	1	Kit - Charge Pump - 1982
B	13-004	1	Kit - Charge Pump - 1983, 84
C	13-005	1	Kit - Check Valve
D	03-932	1	Kit - Pressure Limiter
E	03-933	1	Kit - Cylinder Block
F	03-934	1	Seal Kit
G	03-935	1	Kit - Control Valve
H	03-936	1	Kit - Servo "O" Rings
J	03-937	1	Kit - Small Bearing
K	03-938	1	Kit - Servo Piston
L	03-939	1	Kit - End Cap
M	03-940	1	Kit - Servo Sleeve
N	03-941	1	Kit - Trunion Bearing
P	03-942	1	Kit - Shuttle

21

# TRANSMISSION

EATON



Complete Assembly P/N 03-496

00-157 10-89

22

Item	Part #	No. Req'd.	Description
A	13-184	1	Charge Pump Kit
B	13-185	1	Servo Sleeve Subassy.
C	13-186	1	Pump Servo Piston Subassy.
D	Same	1	Pump Servo Piston Subassy.
E	13-187	1	Manual Control Kit (includes 56 and 57)
F	13-188	1	Rotating Group Subassy.
G	13-189	1	Shaft Seal Assy. Kit
1	13-190	1	"B" Pad Chg. Pump Subassy.
2	13-052	1	Charge Pump Gasket
3	13-053	2	Dowel (5/16 Dia x 3/8 lg)
4	13-054	2	Hex Head Bolt - 3/8 - 16
5	13-055	2	Hex Head Bolt - 3/8 - 16
6	13-056	1	Shipping Strap
7	13-057	2	Backup Ring
8	13-058	2	O-Ring
9	13-059	2	Check Valve Subassembly (includes #7 and 8)
10	13-060	1	Pump End Cover
11	13-061	1	End Cover Brg. Shim Kit
12	13-062	1	End Cover Brg. Kit
13	13-063	1	End Cover Gasket
14	13-053	2	Dowel
15	13-065	6	Socket Head Capscrew
16	13-066	1	Servo Retainer
17	13-067	1	Variable Housing
18	13-068	1	Tube Fitting O-Ring
19	13-191	1	O-Ring Plug Subassy. (includes item 18)
20	13-068	1	Tube Fitting O-Ring
21	13-193	1	O-Ring Plug Subassy. (includes item 20)
22	13-071	1	Trunnion Brg. Shim Kit
23	13-072	1	O-Ring
24	13-073	1	Trunnion
25	13-074	1	Hex Head Bolt
26	13-075	1	Servo Sleeve Kit

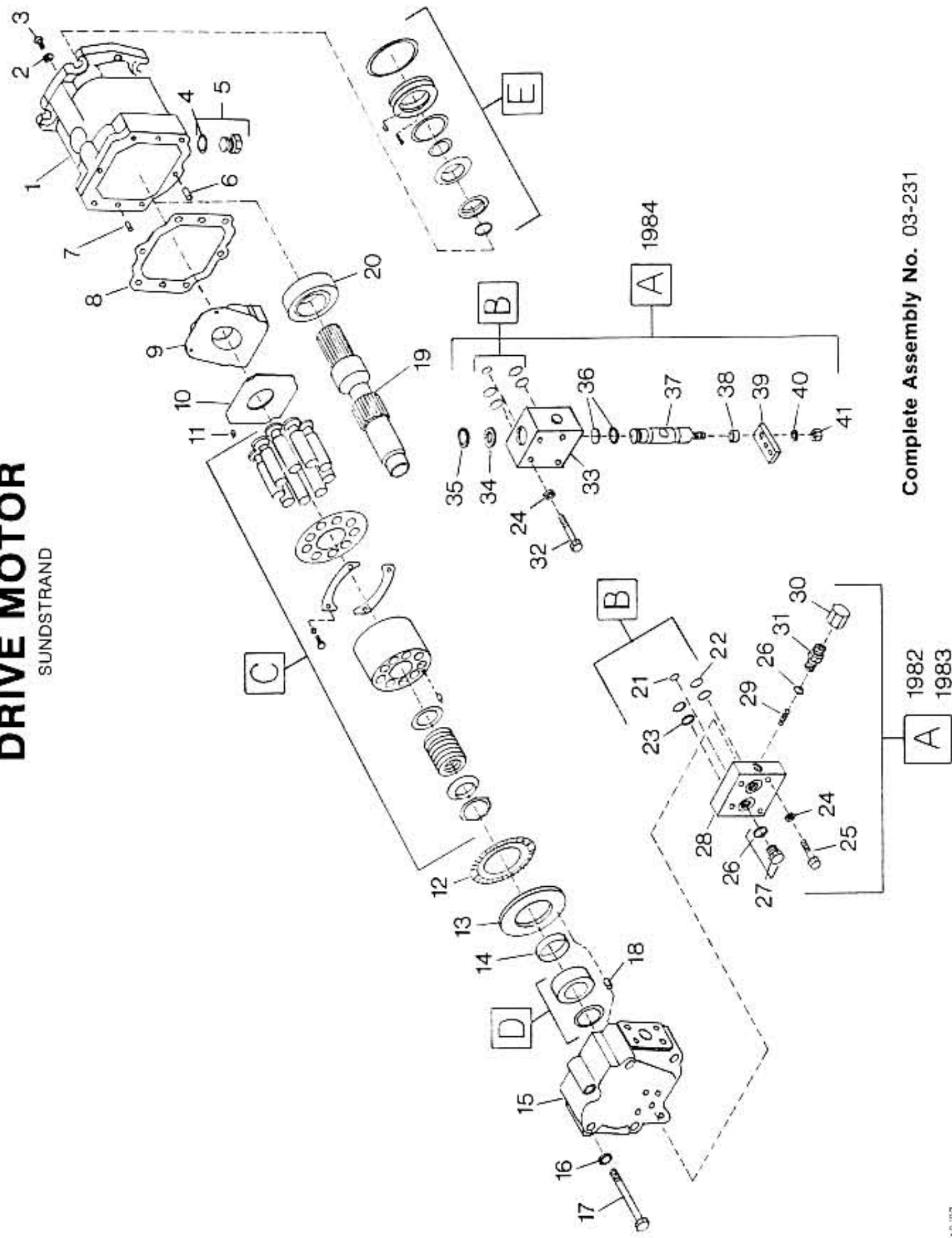
Item	Part #	No. Req'd.	Description
27	13-076	1	O-Ring
28	13-077	1	O-Ring
29	13-078	1	Socket Hd. Shdr. Screw
30	13-079	1	Servo Spring Retainer
31	--	1	Displ't. Limiter Spacer
32	13-080	1	Servo Spring (heavy)
33	13-081	1	Servo Spring (light)
34	13-082	1	Servo Piston
35	13-083	1	Servo Linkage Pin
36	13-084	2	Retaining Ring
37	13-085	1	Servo Link
38	13-086	1	Nameplate
39	13-087	2	Drive Screw (#2 x 3/16 Lg)
40	13-078	1	Socket Hd. Shdr. Screw
41	13-079	1	Servo Spring Retainer
42	--	1	Displ't. Limiter Spacer
43	13-080	1	Servo Spring (heavy)
44	13-081	1	Servo Spring (light)
45	13-082	1	Servo Piston
46	13-083	1	Servo Linkage Pin
47	13-084	1	Retaining Ring
48	13-085	1	Servo Link
49	13-088	1	Variable Swashplate
50	13-089	1	Trunnion Bearing Kit (includes cup & cone)
51	13-083	1	Servo Linkage Pin
52	13-084	1	Retaining Ring
53	13-091	1	Control Linkage Pin
54	13-092	1	Retaining Ring
55	13-093	1	Control Link
56	13-094	1	Linkage Clevis Pin
57	13-095	1	Linkage Hitch Pin
58	13-096	1	Control Valve Gasket
59	13-097	1	Control Valve Subassy.
60	13-098	1	Bolt
61	13-099	1	Bolt
62	13-053	1	Dowel

Item	Part #	No. Req'd.	Description
63	13-100	1	Pump Valve Plate
64	13-101	1	Bearing Plate
65	13-102	1	Internal Retaining Ring
66	13-053	2	Dowel
67	13-103	1	Flat Spring Spacer
68	13-104	1	Cylinder Barrel Spring
69	13-105	1	Beveled Spring Spacer
70	13-106	1	Barrel-SleeveSubassy.
71	13-107	1	Cylinder Barrel Dowel
72	13-108	1	Retainer Plate Guide
73	13-109	1	Slipper Ret. Plate
74	13-110	1	Piston-Slipper Subassy.
75	13-111	1	Thrust Plate
76	13-112	1	Pump Drive Shaft
77	13-113	1	Mtg. Flange Gasket
78	13-114	1	Mtg. Flange Brg. Kit
79	03-053	2	Dowel
80	13-116	1	Mounting Flange
81	13-056	1	Shipping Strap
82	13-117	12	Hex Head Bolt
83	13-118	1	O-Ring
84	13-189	1	Drive Shaft Seal Kit
85	13-118	1	O-Ring
86	13-121	1	Seal Spring
87	13-122	1	Retainer Pin Subassy.
88	13-123	1	O-Ring
89	13-124	1	O-Ring
90	13-125	1	Internal Retaining Ring
91	13-195	1	Retaining Ring
92	13-196	1	Coupling
93	13-219	1	Press. Relief Valve Assy.
94	06-324	1	Pump Mounting Spacer
95	06-320	1	Adaptor Plate
96	1203	4	Lockwasher - 1/2"
97	1082	4	Bolt - 1/2" - 13 x 1 1/2"
**	13-194	1	Gasket & Seal Kit

23

# DRIVE MOTOR

SUNDSTRAND



00-157 10/89

Complete Assembly No. 03-231

1982

1983

24

Item Part # No. Req'd. Description

1	03-842	1	Housing - Motor
2	03-843	4	Washer
3	03-844	4	Screw
4	03-845	1	O-Ring
5	03-846	1	Plug
6	03-847	1	Pin
7	03-559	1	Pin
8	03-849	1	Gasket - End Cap
9	03-850	1	Fixed Swashplate
10	03-851	1	Thrust Plate
11	03-852	4	Spacer
12	03-853	1	Plate Bearing
13	03-854	1	Valve Plate
14	03-855	1	Ring Pilot
15	03-856	1	End Cap Motor
16	03-515	6	Washer
17	03-858	6	Screw
18	03-859	1	Pin St. Hdls.
19	03-860	1	Shaft
20	03-861	1	Kit Bearing - Large
21	03-862	1	"O" Ring
22	03-863	2	Ring Back-Up
23	03-864	2	"O" Ring
24	03-573	4	Washer

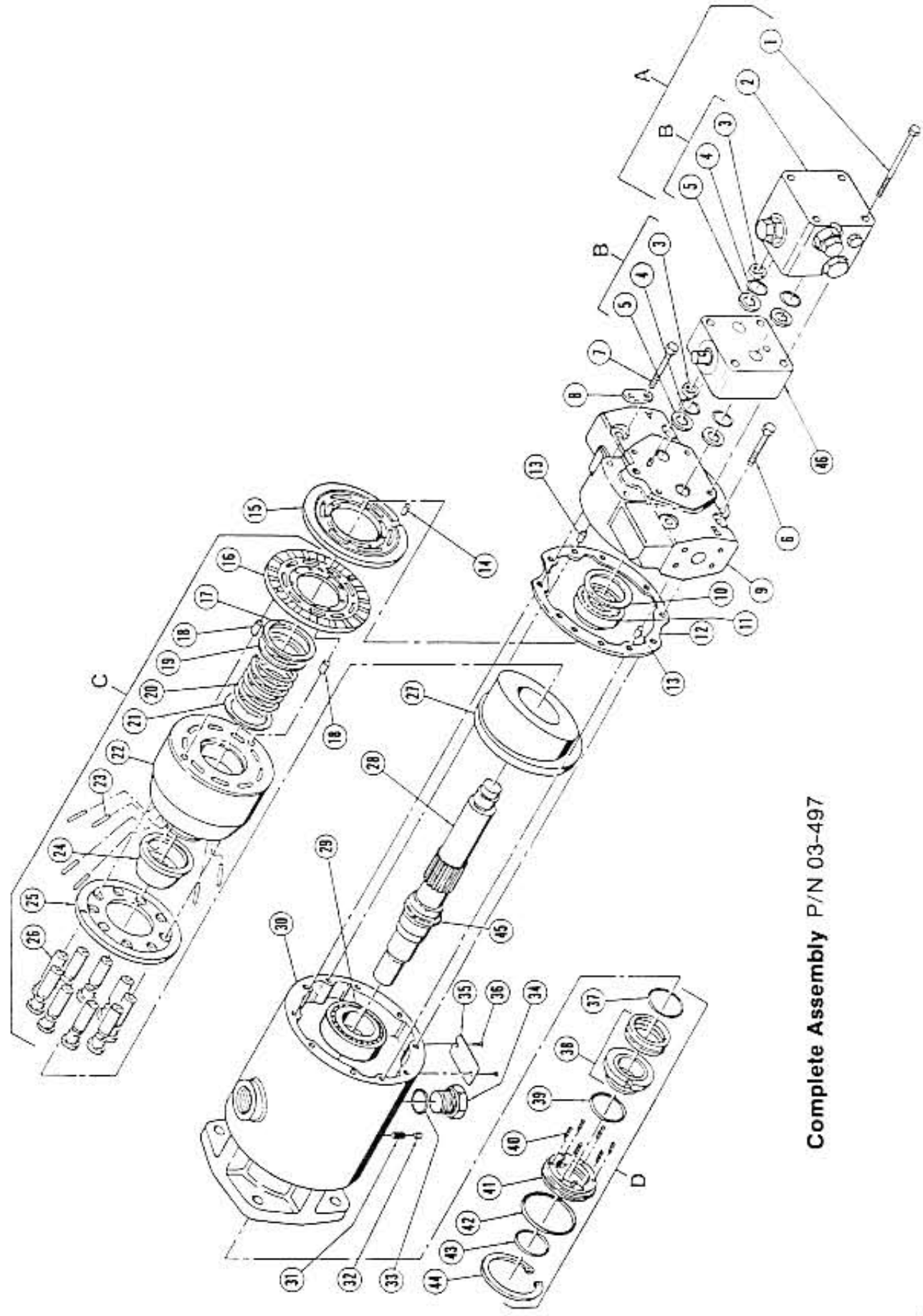
Item Part # No. Req'd. Description

25	03-866	4	Hex Head Screw
26	03-867	2	"O" Ring
27	03-868	1	Plug
28	03-869	1	Bypass Valve Body
29	1077	1	Socket Set Screw - 5/16 - 18 x 1
30	03-782	1	Cap
31	03-076	1	Fitting
32	03-994	4	Hex Head Screw
33	03-995	1	Bypass Valve Body
34	03-996	1	Washer
35	03-997	1	Retaining Ring
36	13-263	1	Back-Up/"O" Ring Kit
37	13-000	1	Valve Spool
38	03-589	1	Spacer
39	03-590	1	Valve Lever
40	03-591	1	Star Washer
41	03-592	1	Hex Nut
A	03-943	—	Kit Bypass Valve - 1982, 83
B	13-001	—	Kit Bypass Valve - 1984
C	03-944	—	Kit "O" Ring
D	03-945	—	Kit Cylinder Block
E	03-946	—	Kit Bearing - Small
	03-947	—	Kit - Output Seal

25

# DRIVE MOTOR

EATON



Complete Assembly P/N 03-497

00-157 10/99

26

Item Part # No. Req'd. Description

A	13-197	1	Valve Block Subassembly Kit
B	13-198	1	Valve Block Sealing Kit
C	13-199	1	Rotating Group Assembly
D	13-189	1	Drive Shaft Seal Assembly Kit
1	13-127	4	Hex Head Bolt
2	13-201	1	Valve Block Subassembly
3	13-140	4	Square Cut Seal Ring
4	13-141	4	O-Ring
5	13-142	4	Backup Ring
6	13-143	2	Hex Head Bolt
7	13-144	2	Hex Head Bolt
8	13-145	1	Shipping Strap
9	13-146	1	Motor End Cover
10	13-147	1	End Cover Bearing Shim Kit
11	13-148	1	End Cover Bearing Kit
12	13-150	1	End Cover Gasket
13	13-053	2	Dowel (5/16 Dia x 3/8 long)
14	13-053	2	Dowel (5/16 Dia x 3/8 long)
15	13-152	1	Motor Valve Plate
16	13-153	1	Bearing Plate
17	13-202	1	Internal Retaining Ring
18	13-053	2	Dowel (5/16 Dia x 3/8 long)
19	13-155	1	Flat Spring Spacer
20	13-156	1	Cylinder Barrel Spring
21	13-157	1	Beveled Spring Spacer
22	13-158	1	Barrel-Sleeve Subassembly
23	13-159	9	Cylinder Barrel Dowel
24	13-160	1	Retainer Plate Guide

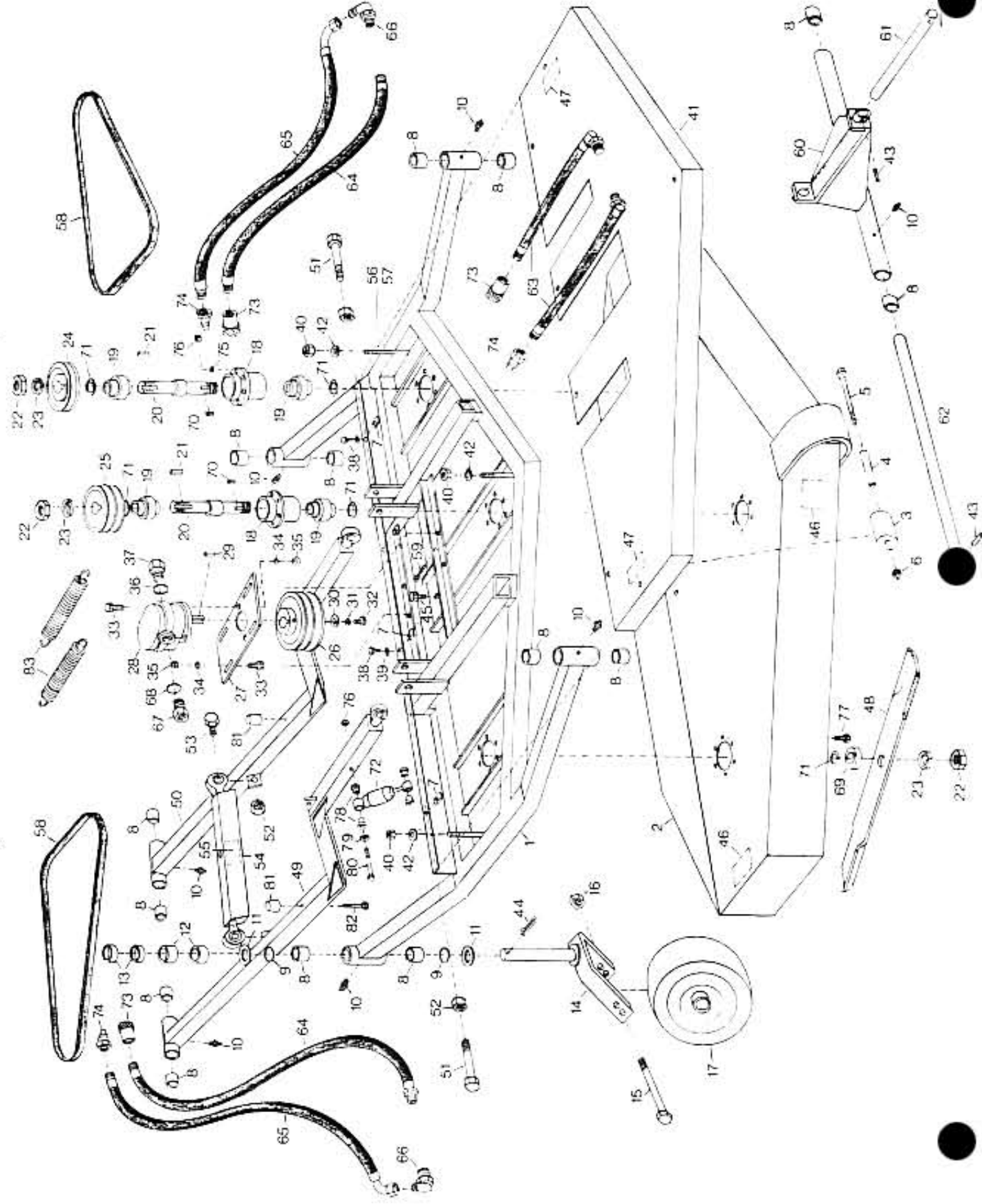
Item Part # No. Req'd. Description

25	13-161	1	Slipper Retainer Plate
26	13-162	9	Piston-Slipper Subassembly
27	13-163	1	Fixed Swashplate
28	13-164	1	Motor Drive Plate
29	13-114	1	Mounting Flange Bearing Kit
30	13-167	1	Fixed Housing Subassembly (Includes 31,32 and 34)
31	13-168	1	Dowel
32	13-169	1	Socket Pipe Plug
33	13-170	1	Tube Fitting O-Ring (includes item 34)
34	13-171	1	O-Ring Plug Subassembly
35	13-086	1	Nameplate
36	13-087	2	Drive Screw (#2 x 3/16 long)
37	13-118	1	O-Ring
38	13-189	1	Drive Shaft Seal Kit
39	13-118	1	O-Ring
40	13-121	6	Seal Spring
41	13-122	1	Seal Retainer-Pin Subassembly
42	13-123	1	O-Ring
43	13-124	1	O-Ring
44	13-125	1	Beveled Internal Retaining Ring
45	13-195	1	Retaining Ring
46	13-025	1	By-Pass Valve
..	13-205	1	Overhaul Gasket & Seal Kit

27

# DECK ASSEMBLY

(FOR PRODUCTION MODELS PRIOR TO S.N. HP-393-E)



Item	Part #	No. Req'd.	Description
1	07-101	1	Frame - Left 60"
	07-102	1	Frame - Right 60"
	07-201	1	Frame - Center 72"
2	07-103	2	Grass Pan - 60"
	07-202	1	Grass Pan - 72"
3	4229	1/72"	Roller
4	4260	1/72"	Bushing
5	1886	1/72"	Bolt - 5/16 - 18 x 5/16" Gr. 5
6	1102	1/72"	Hex Locknut 5/16"
7	1732	4	"U" Nut 1/2 - 20
8	04-002	4	Bushing - 8/60" - 12/72"
9	03-171	8	"O" Ring
10	1500	6	Grease Fitting - Straight
11	1942	8	Flatwasher - 1 1/2" SAE
12	07-000	8	Spacer - 1"
13	07-001	8	Spacer - 1/2"
14	07-002	4	Caster Yoke
15	1066	4	Caster Axle Bolt
16	1113	4	Locknut - 3/8" - 11
17	04-062A	4	Caster Wheel
	04-143	4	Wheel Bearing Kit
18	07-009	3	Blade Hub Tube
19	07-008	6	Blade Hub Assy. - Complete
	04-105A	6	Blade Shaft Bearing
20	07-128	3	Blade Shaft
21	1310	3	Key - 3/4 x 1"
22	1731	6	Half Nut - 1" - 14
23	1207	6	Lockwasher - 1"
24	04-064	2	Pulley 60"
	04-067	2	Pulley 72"
	04-065	1	Pulley 60"
	04-068	1	Pulley 72"

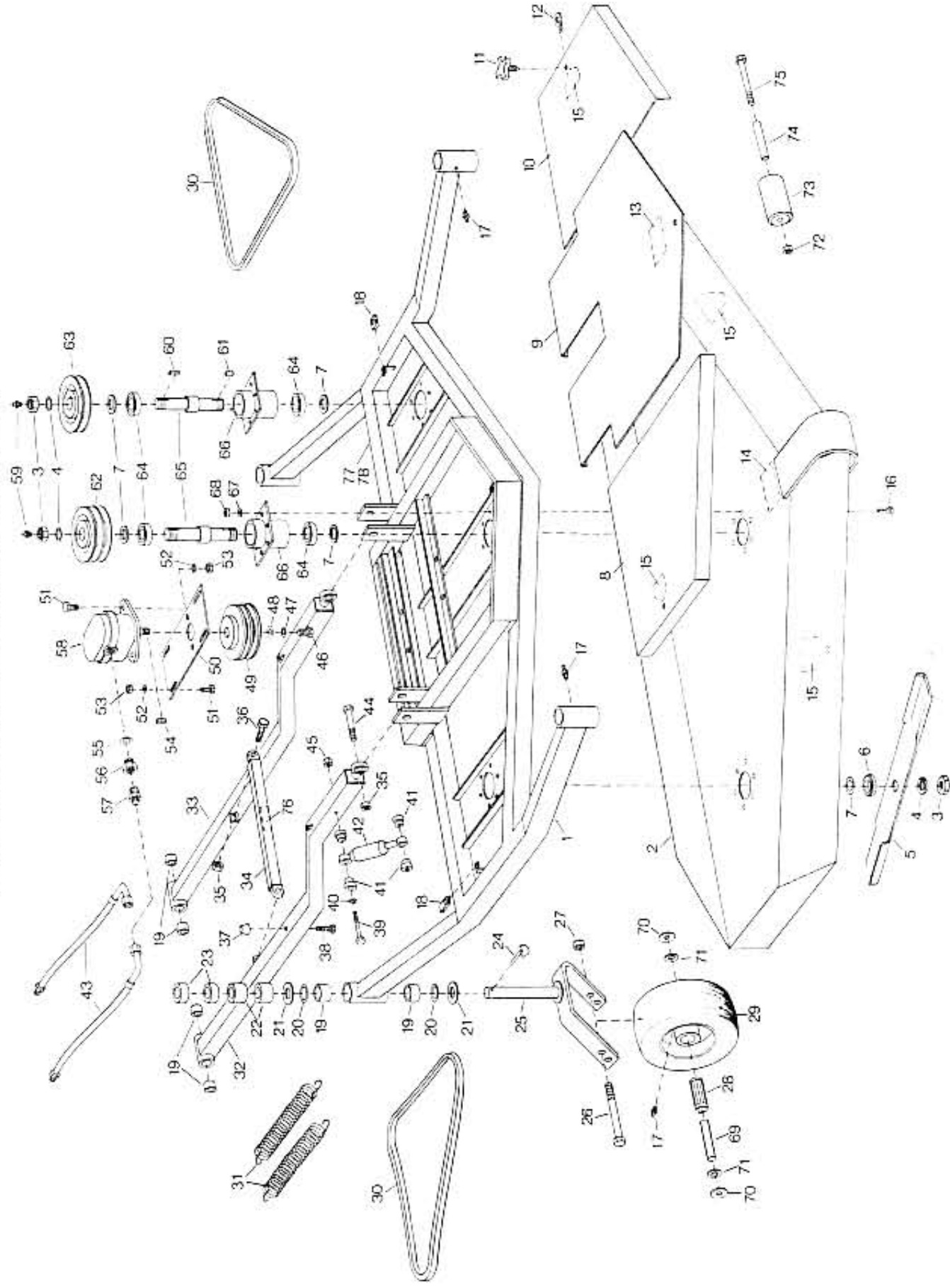
Item	Part #	No. Req'd.	Description
26	4163	1	Pulley
27	07-114	1	Motor Mount Plate
28	03-224	1	Deck Motor
29	1300	1	Key - 3/16 x 1"
30	1753	1	Fenderwasher - 1/4" x 1"
31	1200	1	Lockwasher - 1/4"
32	1071	1	Bolt - 5/16 - 24 x 1/2" SAE
33	1824	6	Bolt - 3/8 - 16 x 1 1/4"
34	1202	6	Lockwasher - 3/8"
35	1103	6	Hex Nut - 3/8" - 16
36	03-225	1	"O" Ring
37	03-369	1	Fitting - Straight
38	1000	4	Bolt - 1/2 - 20 x 3/4"
39	1220	4	Flatwasher - 1/2"
40	1112	3	Locknut - 3/8" - 16
41	07-104A	1	1 pc. Cover - Left 60"
	07-105A	1	1 pc. Cover - Right 60"
	07-203	1	1 pc. Cover - Center 72"
42	1222	3	Flatwasher - 3/8"
43	1132	2	Roll Pin - 1/4 x 1 1/2"
44	07-016	4	Clip Pin
45	1213	19	Bolt - 5/16 - 18 x 1" Gr. 5
46	00-054	3	Decal "Rotating Blades"
47	7018	2	Decal "Guards OSHA"
48	07-108	3	Blade 60"
	07-204	3	Blade 72"
49	06-263	1	Push Arm - Right
50	06-262	1	Push Arm - Left
51	1069	2	Bolt - 1/2" - 10 x 3/4"
52	1114	4	Locknut - 3/8" - 10
53	1754	2	Bolt - 3/4" - 10 x 2"

Item	Part #	No. Req'd.	Description
54	07-017A	1	Lift Bar
55	00-001	1	Decal "Spring Loaded Arm"
56	7037	1	Decal "Serial No." (Not shown)
57	00-024	1	Decal Vinyl Overlay
58	3462	2	Belt - 60"
	3463	2	Belt - 72"
59	1967	1	Bolt - 3/8 - 16 x 3 Full Thread
60	07-109	1	Joiner Bracket
61	06-036	1	Upper Pivot Pin
62	07-111	1	Lower Pivot Pin
63	03-646A	2	Hose - Front 72"
64	03-647	—	Hose - 60" 1/60" L, 1/60" R
65	03-648	—	Hose - 60" 1/60" L, 1/60" R
66	03-367	—	Fitting - 1-60"
67	03-370	1	Fitting
68	03-167	1	"O" Ring
69	07-006B	3	Blade Adaptor
70	1317	3	Key - 1/2 x 3/8"
71	07-011	6	Machine Bushing - 14 ga.
72	06-222	2	Shock Absorber
73	03-010A	3	Quick Coupling - Female
74	03-011A	3	Quick Coupling - Male
75	1201	22	Lockwasher - 5/16"
76	1102	22	Hex Nut - 5/16" - 18
77	1022	22	Bolt - 5/16 - 18 x 1 1/4"
78	04-196	8/72"	Rubber Bushing
79	1221	8/72"	Flatwasher - 5/16
80	1744	2/72"	Bolt - 5/16 - 18 x 4
81	04-185	4/72"	Rubber Bumper
82	1009	2/72"	Bolt - 1/2 - 20 x 2 1/2"
83	4169A	2/72"	Deck Spring



# DECK ASSEMBLY

(FOR PRODUCTION MODELS AFTER S.N. HP-393-E)



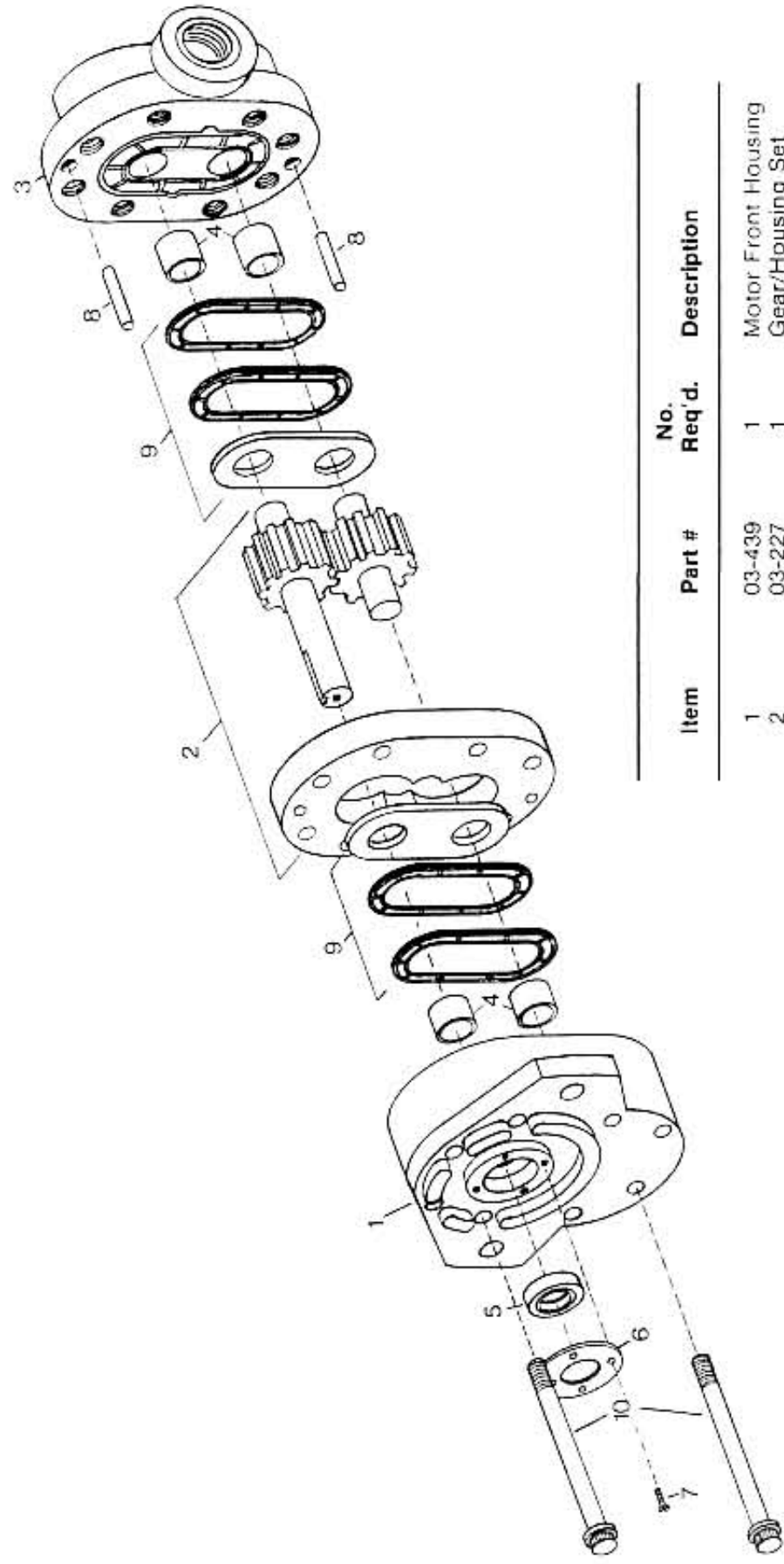
Item	Part #	No. Req'd.	Description
------	--------	------------	-------------

1	07-211	1	Frame - Center 72" (SHOWN)
-	07-133	1	Frame - Left 60"
-	07-134	1	Frame - Right 60"
2	07-202	1	Grass Pan - 72"
-	07-103	2	Grass Pan - 60"
3	1731	6	Half Nut - 1" - 14
4	1207	6	Lockwasher - 1"
5	07-204	3	Blade 72"
-	07-108	3	Blade 60"
6	07-006B	3	Blade Adaptor
7	07-011	6	Machine Bushing - 14 ga.
8	07-331	1	Cover - Right 72"
-	07-334	1	Cover - Right 60"
9	07-330	1	Cover - Center 72"
-	07-333	1	Cover - Center 60"
10	07-332	1	Cover - Left - 72"
-	07-335	1	Cover - Left - 60"
11	07-315	3	Deck Cover Knob
12	2026	3	Retaining Clip
13	7018	1	Decal - Guards OSHA
14	00-057	1	Decal - Torque Specs.
15	00-054	4	Decal - Rotating Blades
16	1022	18	Bolt - 5/16 - 18 - 1 1/4"
17	1500	4	Grease Fitting - Straight
18	1732	3	U-Nut - 1/4 - 20
19	04-002	12/72", 10/60"	Bushing
20	03-171	8	O-Ring
21	1942	8	Flatwasher - 1 1/4" SAE
22	07-000	8	Spacer - 1"
23	07-001	8	Spacer - 1/2"
24	07-016	4	Clip Pin
25	07-002	4	Caster Yoke
26	1068	4	Axle Bolt - 3/8 - 11 x 5 1/2"
27	1113	4	Locknut - 5/8 - 11
28	04-143	4	Wheel Bearing Kit
29	04-062A	4	Caster Wheel
30	3463	2	Belt - 72"
-	3462	2	Belt - 60"
31	4169A	2/72"	Deck Spring
32	07-053	1	Push Arm - Right
33	07-054	1	Push Arm - Left
34	07-017	1	Lift Bar
35	1114	4	Locknut - 3/4 - 10
36	1754	2	Bolt - 3/4 - 10 x 2"
37	04-185	2/72"	Rubber Bumper
38	1009	2/72"	Bolt - 1/4 - 20 x 2 1/2"

Item	Part #	No. Req'd.	Description
------	--------	------------	-------------

39	1744	2/72"	Bolt - 5/16 - 18 x 4"
40	1221	8/72"	Flatwasher - 5/16"
41	04-196	8/72"	Rubber Bushing
42	06-222	2/72"	Shock Absorber
43	03-646A	2/72"	Hose - Blkhd. to Deck Motor
44	1069	2	Bolt - 3/4 - 10 x 3 1/4"
45	1102	2	Hexnut - 5/16 - 18
46	1071	1	Bolt - 5/16 - 24 x 3/4" SAE
47	1200	1	Lockwasher - 1/4"
48	1753	1	Fenderwasher - 1/2" - 18 ga.
49	4163	1	Drive Pulley
50	07-114	1	Motor Mt. Plate
-	2019	1	Adj. Bolt - 3/8 - 16 x 3 1/2"
51	1824	6	Bolt - 3/8 - 16 x 1 1/4"
52	1202	6	Lockwasher - 3/8"
53	1103	6	Hexnut - 3/8 - 16
54	1300	1	Key - 3/16 x 1"
55	03-167	1	O-Ring
56	03-370	2	Fitting - Reducer
57	03-080	2	Fitting - Straight
58	03-224	1	Deck Motor
-	03-285	-	Motor Seal Kit
59	1500	1	Grease Fitting
60	1310	3	Key - 1/4 x 1"
61	1317	3	Key - 1/4 x 3/8"
62	04-068	1	Pulley-Double Grv. - 72"
-	04-065	1	Pulley-Double Grv. - 60"
63	04-067	2	Pulley-Single Grv. - 72"
-	04-064	2	Pulley-Single Grv. - 60"
64	04-105A	6	Blade Shaft Bearing
65	07-128	3	Blade Shaft
66	07-125	3	Blade Hub
-	07-130	-	Complete Hub (includes items 64,65,66)
67	1201	18	Lockwasher - 5/16"
68	1102	18	Hexnut - 5/16 - 18
69	07-129	4	Spacer - Caster Wheel Brg.
70	1227	8	Flatwasher - 5/8"
71	1232	As Req	Shim - 3/4 I.D. x 1 1/2 O.D. x 18 ga.
72	1102	1/72"	Locknut - 5/16 - 18
73	4229	1/72"	Roller
74	4260	1/72"	Bushing
75	1886	1/72"	Bolt - 5/16 - 18 x 5 1/2" Gr. 5
76	00-001	1	Decal - Spring Loaded Arm
77	7037	1	Decal - Serial Number
78	00-024	1	Decal - Vinyl Overlay

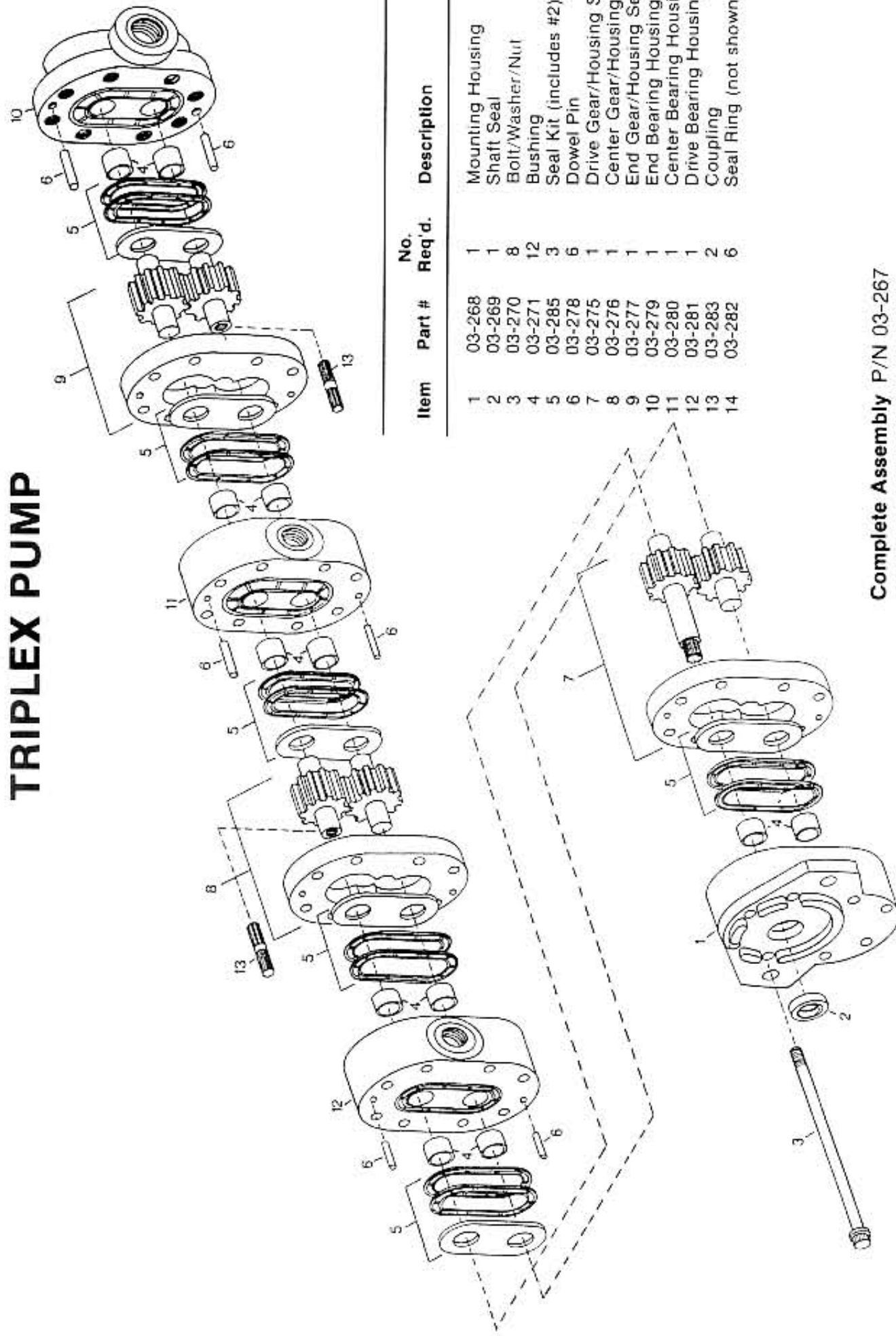
# DECK MOTOR



Item	Part #	No. Req'd.	Description
1	03-439	1	Motor Front Housing
2	03-227	1	Gear/Housing Set
3	03-279	1	End Bearing Housing
4	03-271	4	Bushing
5	03-284	1	Shaft Seal
6	03-379	1	Seal Ret. Plate
7	03-406	4	Ret. Plate Screw
8	03-278	2	Dowel Pin
9	03-285	1	Seal Kit (Includes 5)
10	03-226	8	Bolt/Washer

Complete Assembly P/N 03-224

# TRIPLEX PUMP

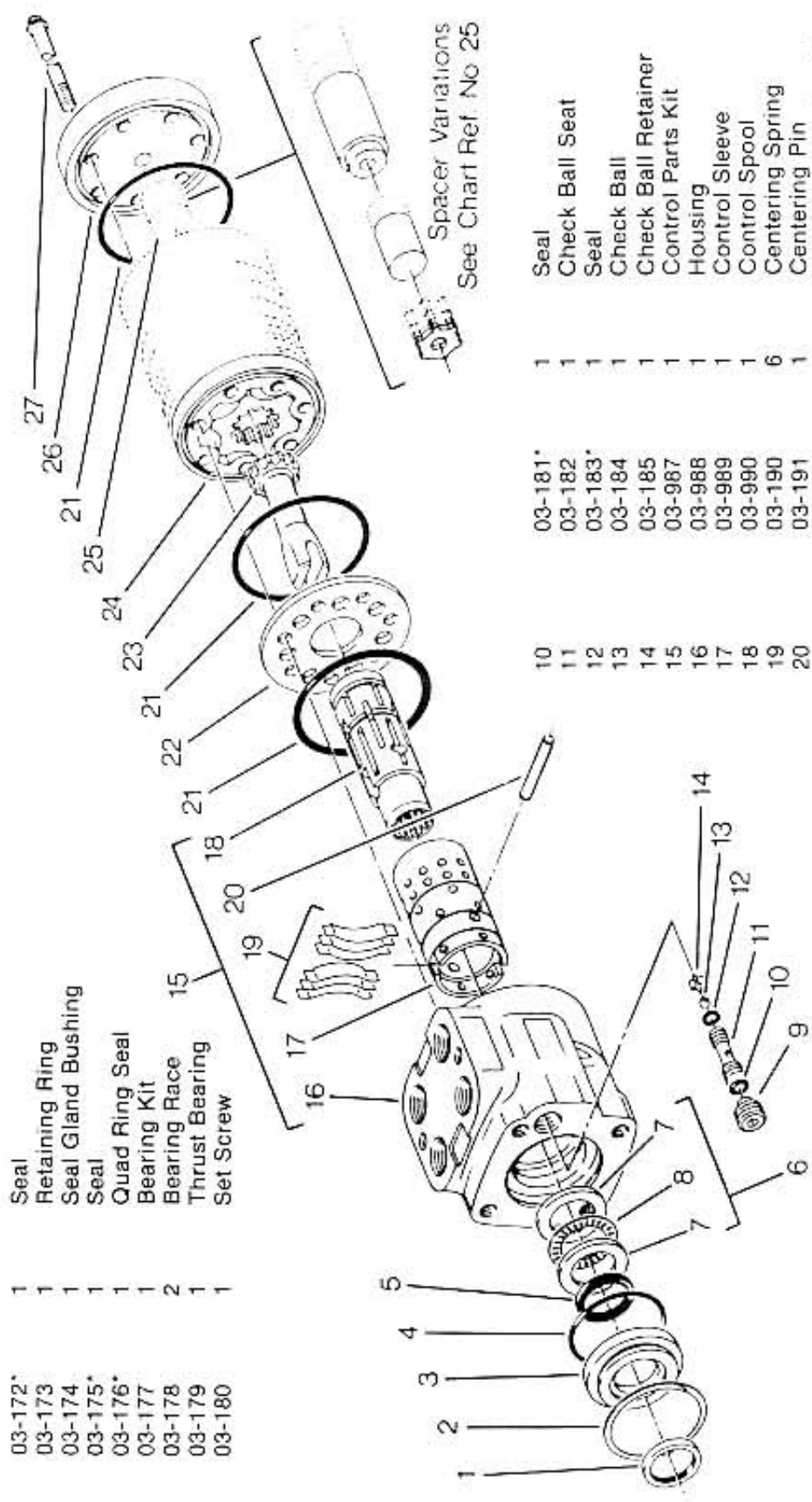


Item	Part #	No. Req'd.	Description
1	03-268	1	Mounting Housing
2	03-269	1	Shaft Seal
3	03-270	8	Bolt/Washer/Nut
4	03-271	12	Bushing
5	03-285	3	Seal Kit (includes #2)
6	03-278	6	Dowel Pin
7	03-275	1	Drive Gear/Housing Set
8	03-276	1	Center Gear/Housing Set
9	03-277	1	End Gear/Housing Set
10	03-279	1	End Bearing Housing
11	03-280	1	Center Bearing Housing
12	03-281	1	Drive Bearing Housing
13	03-283	2	Coupling
14	03-282	6	Seal Ring (not shown)

Complete Assembly P/N 03-267

# STEERING VALVE ASSEMBLY

Item	Part #	No. Req'd.	Description
1	03-172*	1	Seal
2	03-173	1	Retaining Ring
3	03-174	1	Seal Gland Bushing
4	03-175*	1	Seal
5	03-176*	1	Quad Ring Seal
6	03-177	1	Bearing Kit
7	03-178	2	Bearing Race
8	03-179	1	Thrust Bearing
9	03-180	1	Set Screw



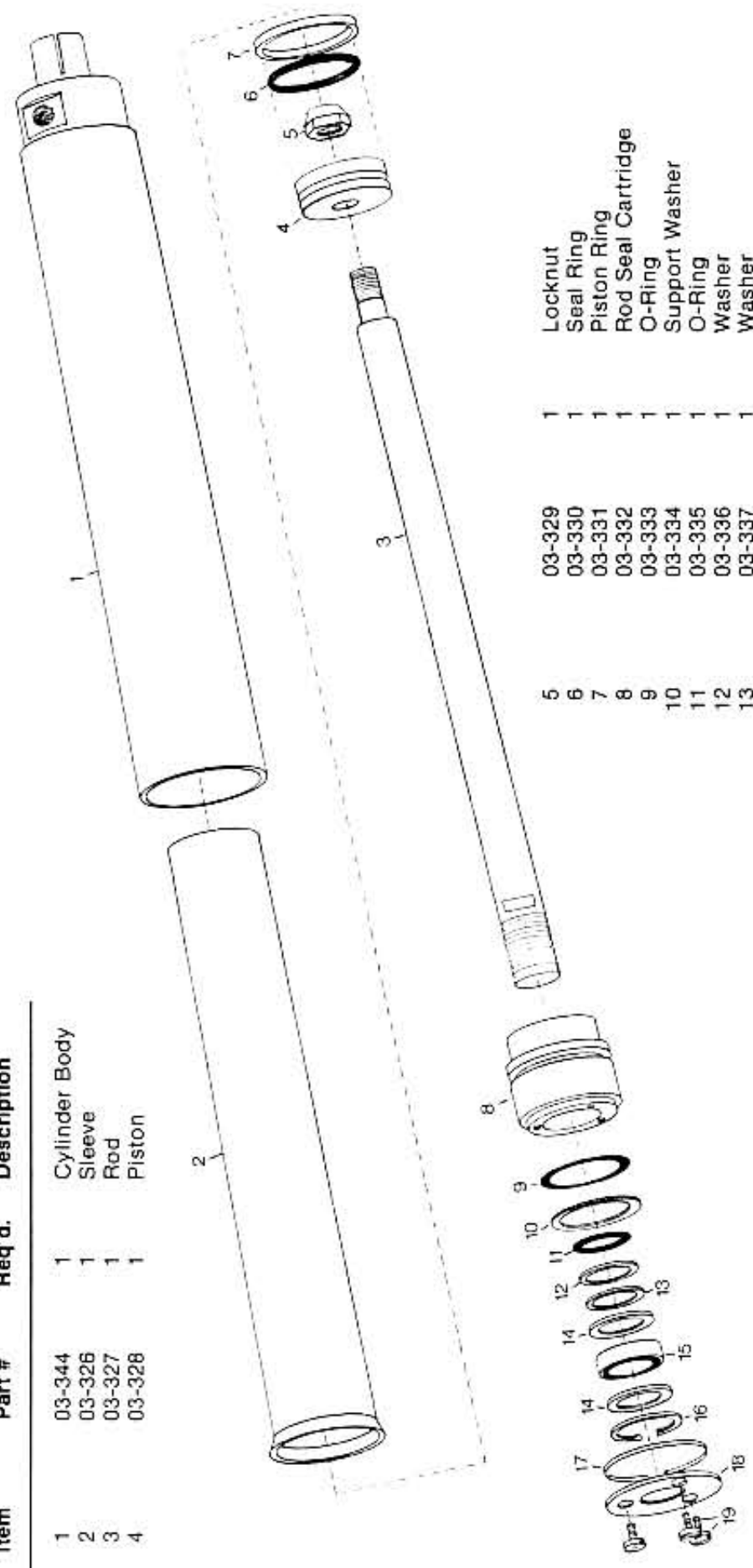
10	03-181*	1	Seal
11	03-182	1	Check Ball Seat
12	03-183*	1	Seal
13	03-184	1	Check Ball
14	03-185	1	Check Ball Retainer
15	03-987	1	Control Parts Kit
16	03-988	1	Housing
17	03-989	1	Control Sleeve
18	03-990	1	Control Spool
19	03-190	6	Centering Spring
20	03-191	1	Centering Pin
21	03-192*	3	Seal (included in #28)
22	03-991	1	Spacer Plate
23	03-194	1	Drive
24	03-992	1	Gerotor Set
25	03-196	1	Spacer
26	03-197	1	End Cap
27	03-198	7	Cap Screw
28	03-199	—	Seal Kit

\* Use Complete Seal Kit # 03-199  
(includes 1,4,5,10,12,21)

Complete Assembly P/N 03-378

# STEERING CYLINDER

Item	Part #	No. Req'd.	Description
1	03-344	1	Cylinder Body
2	03-326	1	Sleeve
3	03-327	1	Rod
4	03-328	1	Piston



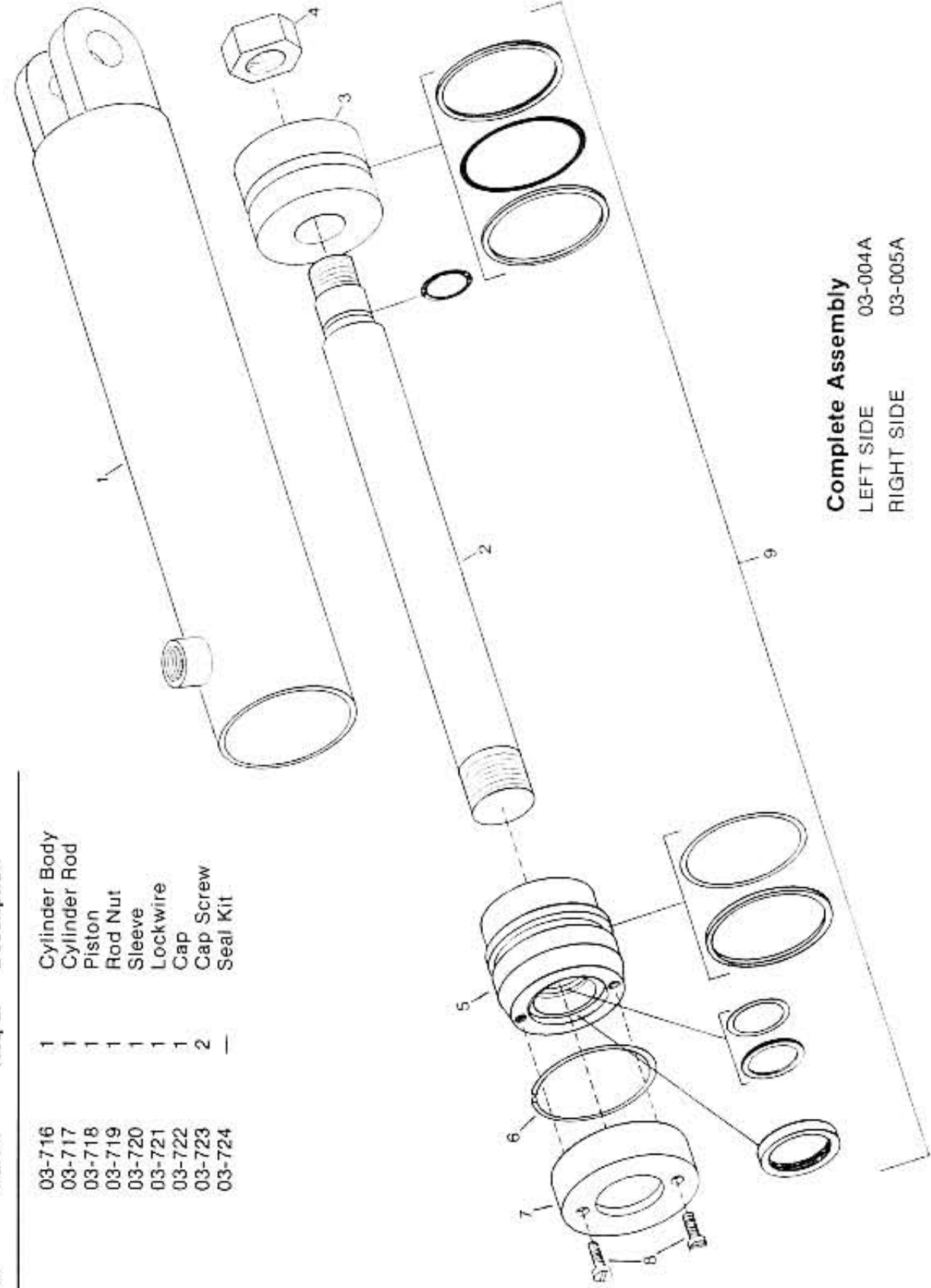
5	03-329	1	Locknut
6	03-330	1	Seal Ring
7	03-331	1	Piston Ring
8	03-332	1	Rod Seal Cartridge
9	03-333	1	O-Ring
10	03-334	1	Support Washer
11	03-335	1	O-Ring
12	03-336	1	Washer
13	03-337	1	Washer
14	03-338	2	Washer
15	03-339	1	Seal
16	03-340	1	Retaining Ring
17	03-341	1	Retaining Ring
18	03-342	1	Cover Plate
19	03-343	3	Screw
—	03-728	—	Seal Repair Kit

(includes items 6,7,9-15)

Complete Assembly P/N 03-001

# LIFT CYLINDER

Item	Part #	No. Req'd.	Description
1	03-716	1	Cylinder Body
2	03-717	1	Cylinder Rod
3	03-718	1	Piston
4	03-719	1	Rod Nut
5	03-720	1	Sleeve
6	03-721	1	Lockwire
7	03-722	1	Cap
8	03-723	2	Cap Screw
9	03-724	—	Seal Kit



**Complete Assembly**  
 LEFT SIDE 03-004A  
 RIGHT SIDE 03-005A