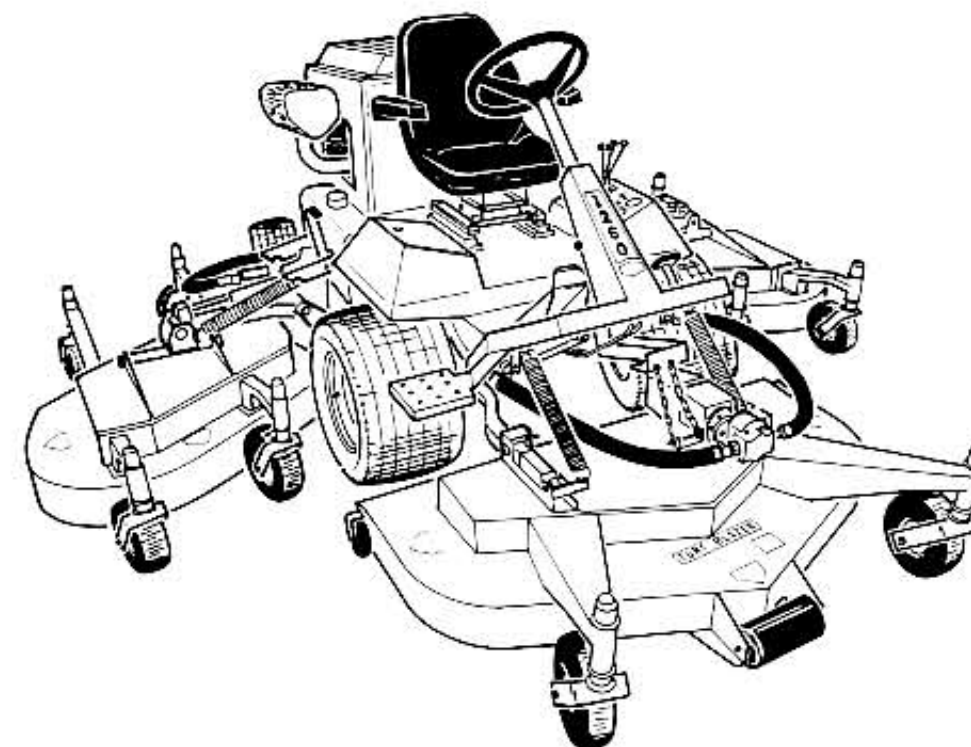




18155 Edison Avenue • Chesterfield, Missouri 63005

# TURF BLAZER 1260



## 126" ROTARY ATTACHMENT PARTS MANUAL

Model C126

00-192 1/91

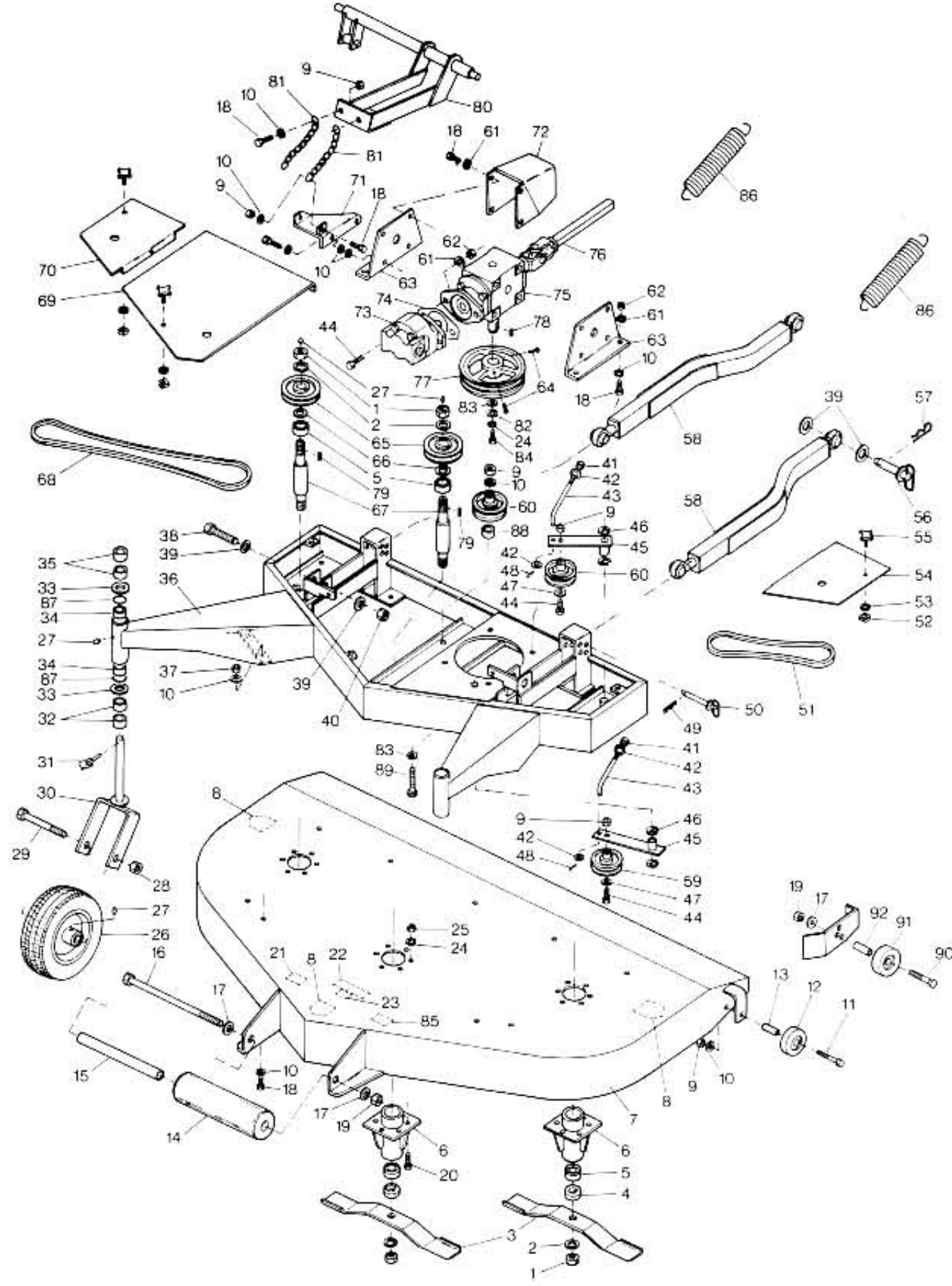


## INDEX

FRONT DECK ASSEMBLY.....	2
WING DECK ASSEMBLY.....	4
HYDRAULIC SYSTEM.....	6
HYDRAULIC DECK MOTOR.....	8
GEAR BOX ASSEMBLY.....	9
HYDRAULIC PUMP.....	10
LIFT CYLINDER ASSEMBLY.....	11

# FRONT DECK ASSEMBLY

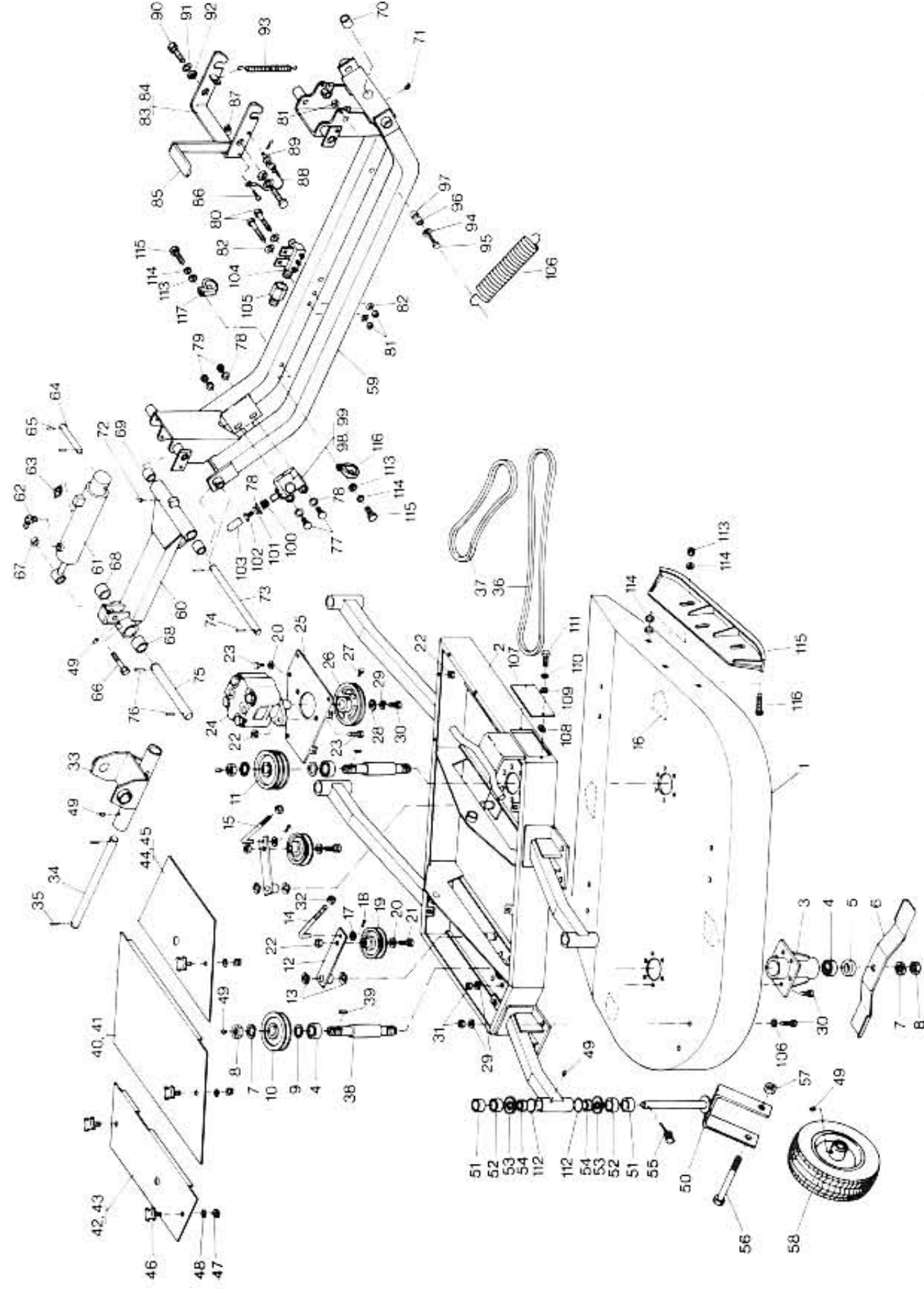
00-192 1/91 2



Item	Part No.	Qty.	Description	Item	Part No.	Qty.	Description	Item	Part No.	Qty.	Description
1	1731	6	Jam Nut 1" - 14	31	07-016	4	Click Pin	64	1615	2	Square Head Bolt 5/16" - 18 x 3/4"
2	1207	6	Lockwasher 1"	32	07-000	4	Spacer - 1"	65	04-228	3	Deck Pulley
3	07-108	3	Blade	33	1942	4	Flatwasher - 1-1/4" I.D.	66	1233	5	Machine Bushings 1" 18 GA.
4	07-108H	3	Blade - Highlift	34	04-002	4	Bushing	67	07-414	3	Shaft Blade
5	07-006B	3	Blade Adapter	35	07-001	4	Spacer - 1/2"	68	07-431	1	Belt - Long
6	04-105A	3	Blade Shaft Bearing	36	07-410	1	Front Deck Frame	69	07-418	1	Center Deck Cover
7	07-413	3	Blade Hub	37	1911	4	Nylon Locknut 3/8" - 16	70	07-416	1	Deck Cover R.H.
8	07-409	1	Front Deck 60"	38	1085	2	Bolt 3/4" - 10 x 3"	71	07-411	1	Lift Bracket
9	00-054	3	Locknut 3/8" - 16	39	1224	24	Flatwasher 3/4"	72	07-450	1	PTO Cover
10	1222	17	Flatwasher 3/8"	40	1114	2	Locknut 3/4" - 10	73	13-560	1	Hydraulic Pump
11	1873	2	3/8" - 16 x 2-1/2" HHCS	41	1101	4	Hex Nut 1/4" - 20	74	13-548	1	Shaft Seal
12	4129	2	Caster Wheel	42	1220	4	Flatwasher 1/4"	75	13-549	1	Seal Kit
13	4264	2	Bushing	43	07-446	2	Rod 7-1/4"	76	04-037	1	Gearbox Gasket
14	07-135	1	Roller	44	1822	4	3/8" - 16 x 1-3/4" HHCS	77	04-182	1	Gearbox
15	07-139	1	Roller Shaft	45	07-419	2	Belt Tightener Lever	78	08-269	1	PTO Driveshaft - Male
16	2124	1	Bolt 1/2" x 13 x 11"	46	08-115	4	E-Clips	79	1602	1	Bushing (used w/ 08-269)
17	1223	4	Flatwasher 1/2"	47	1769	2	Flatwasher 3/8" SAE	80	1310	3	Key 1/4" x 1-1/4"
18	1957	15	3/8" - 16 x 1" HHCS	48	2075	2	Cotter Pin	81	07-440	1	Deck Lift Assy
19	1747	2	Locknut 1/2" x 13	49	1793	2	Hair Pin Clip - 3/16"	82	07-457	2	9 Link Chain
20	1213	23	Locknut 1/2" x 13	50	07-015	2	Cotter Pins 3/32" x 1/2"	83	1229	1	Fender Washer 5/16"
21	00-057	1	Decal "Warning Blade Torque"	51	07-430	1	Belt-Short	84	1020	2	Flatwasher 5/16" SAE
22	7039	1	Decal "Turf Blazer"	52	2015	3	"U" Nut 5/16" - 18	85	00-022	1	Bolt 5/16" - 18 x 3/4"
23	7012	1	Decal "60"	53	2026	3	Retaining Clip	86	04-131	2	Spring - 10"
24	1201	24	Lockwasher 5/16" - 1	54	07-417	3	Deck Cover L.H.	87	03-171	4	"O" Ring
25	1102	23	Hex Nut 5/16" - 18	55	07-315	2	Deck Hood Knob	88	07-239	1	Spacer
26	05-091	2	Caster Wheel	56	1236	2	Plins	89	1507	1	Bolt 3/8" - 16 x 2"
27	05-103	1	Wheel Only	57	1793	2	Hair Pin Clip - 3/16"	90	1618	1	Bolt 1/2" - 13 - 3-1/2"
28	05-093	1	Tire Only	58	07-412	2	Push Arm	91	4128	2	Wheel
29	1500	7	Grease Fitting	59	07-435	1	Idle Pulley	92	07-241	2	Bushing
30	1113	2	Locknut 5/16" - 11	60	09-070	3	Pulley				
31	1709	2	Bolt 5/8" - 11 x 6"	61	1202	14	Lockwasher 3/8"				
32	07-308	2	Caster Yoke	62	1103	6	Hex Nut 3/8" - 16				
33		2		63	07-415	2	Support Bracket				

# WING DECK ASSEMBLY

00-192 1/91 4



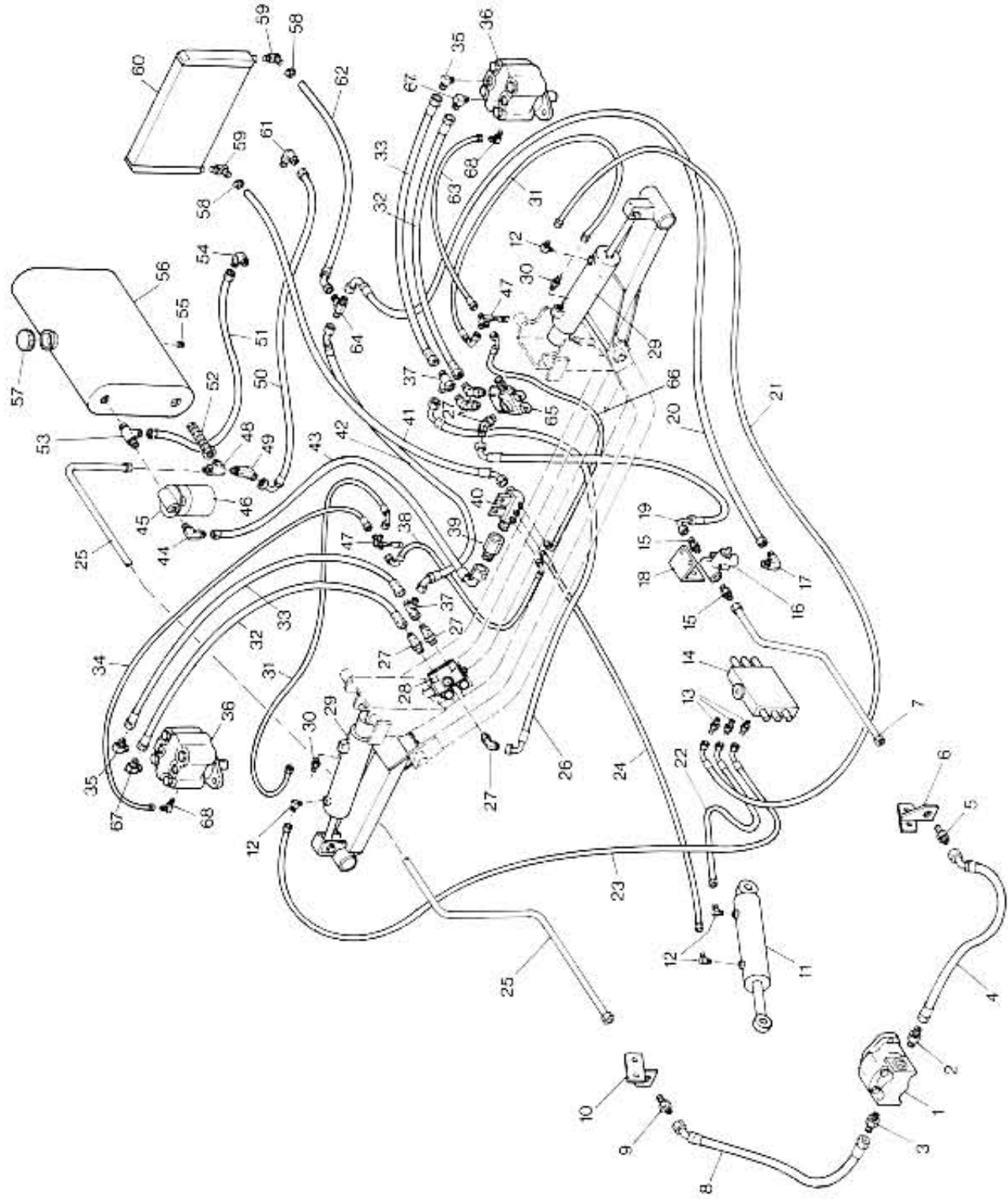
Item	Part No.	Qty.	Description	Item	Part No.	Qty.	Description	Item	Part No.	Qty.	Description
1	07-405	1	Wing Deck Pan - Right	37	07-432	1	Belt-Short (Deck Motor to Spindle)	77	1025	4	Bolt - 5/16" - 18 x 2"
2	07-406	1	Wing Deck Pan - Left	38	07-414	2	Shaft - Blade	78	1221	8	Flatwasher - 5/16"
3	07-402	1	Wing Deck Frame - Right	39	1310	2	Key 1/4" x 1"	79	1111	4	Locknut - 5/16" - 18
4	07-402	1	Wing Deck Frame - Left	40	07-420	1	Center Cover - Right Wing	80	1823	2	Bolt - 3/8" - 16 x 2-3/4"
5	04-105A	2	Blade Shaft Hub	41	07-421	1	Center Cover - Left Wing	81	1112	4	Locknut 3/8" - 16
6	07-005B	4	Blade Shaft Bearing	42	07-422	1	Outside Cover - Right Wing	82	1222	4	Flatwasher - 3/8"
7	07-108	2	Blade - Standard Lift	43	07-423	1	Outside Cover - Left Wing	83	07-427	1	Left Wing Lock Assembly
8	1207	2	Blade - High Lift	44	07-424	1	Inside Cover - Right Wing	84	07-426	1	Right Wing Lock Assembly
9	1731	4	Lockwasher - 1"	45	07-425	1	Inside Cover - Left Wing	85	05-121	2	Rubber Handle Grip
10	1233	4	Half Nut - 1" - 14	46	07-315	3	Knob - Deck Hood	86	2054	2	10 - 32 x 3/4" Phillips Head Mach. Screw
11	04-064	2	Machine Bushing - 1"	47	2015	3	U-Nut - 5/16" - 18	87	1775	2	Locknut - 10-32 ESNA
12	04-055	1	Single Groove Pulley	48	2026	3	Retainer	88	08-111	2	Cable
13	07-419	2	Double Groove Pulley	49	1500	12	Grease Fitting	89	07-449	2	Hitch Pin & Clip
14	09-115	4	Lever Assy - Belt Tensioner	50	07-441	4	Caster Yoke	90	1082	4	Bolt - 1/2" - 13 x 1-1/2"
15	07-446	1	"E" - Clip	51	4117	8	Spacer - 1/2"	91	1231	4	Flatwasher - 1/2" SAE
16	00-054	4	7-1/4" Rod - Right Wing	52	4118	8	Spacer - 1"	92	07-443	4	Wing Lock Spacer
17	02-428	1	6" - Left Wing	53	1408	8	Flatwasher - 1" I.D.	93	04-200	4	Wing Lock Spring
18	07-446	1	7-1/4" Rod - Right Wing	54	4121	8	Bushing	94	1230	2	Fenderwasher - 3/8"
19	07-428	1	6" Rod - Left Wing	55	07-016	4	Click Pin	95	1824	2	Bolt - 3/8" - 16 x 1-1/4"
20	00-054	4	Decal "Danger Hands and Feet"	56	1709	4	Bolt - 5/8" - 11 x 6"	96	07-444	2	Spacer-Spring Anchor
21	1220	2	Flatwasher - 1/4"	57	1113	4	Locknut 5/8" - 11	97	07-445	2	Roller - Wing Spring
22	1112	4	Locknut - 3/8" x 16	58	08-121	4	Caster Wheel	98	03-623	1	Selector Valve - Right Wing
23	1033	2	Bolt - 3/8" - 16 x 1-1/2"	59	07-407	1	Frame Assembly	99	03-624	1	Selector Valve - Left Wing
24	13-606	1	Hydraulic Motor	60	07-400	2	Arm Assembly	100	04-289	2	Spring
25	07-403	1	Motor Plate - R.H.	61	13-380	2	Lift Cylinder	101	1202	2	Lockwasher - 3/8"
26	07-436	1	Pulley	62	03-780	2	Fitting - 90°	102	1030	2	Bolt - 3/8" - 16 x 3/4"
27	1126	2	Set Screw - 5/16" - 18 x 1/4"	63	13-322	2	Fitting	103	06-151	2	Wing Valve Push Rod
28	1229	1	Fenderwasher - 5/16"	64	07-438	2	Shaft - Cylinder to Frame	104	13-392	1	Manifold
29	1201	26	Lockwasher - 5/16"	65	1135	4	Roll Pin - 3/16" x 1-1/4"	105	13-337	1	Fitting - Straight
30	1213	26	Bolt - 5/16" - 18 x 1" GR. 5	66	1708	2	Bolt - 1/2" - 13 x 2-1/2"	106	04-131	2	Spring - 10"
31	1102	26	Hex Nut - 5/16" - 18	67	1747	2	Locknut - 1/2" - 13	107	07-437	1	Cover Plate
32	1101	4	Hex Nut - 1/4" - 20	68	04-002	4	Bushing	108	1732	2	"U" - Nut
33	07-408	2	Support Assy.	69	4121	8	Bushing	109	1220	2	Flatwasher - 1/4"
34	07-447	2	Shaft-Wing Deck Hanger	70	04-130	2	Bushing	110	1200	2	Lockwasher - 1/4"
35	1131	4	Roll Pin - 1/4" x 1"	71	1501	2	Grease Fitting - 45°	111	1000	2	Bolt - 1/4" - 20 x 3/4"
36	07-433	1	Bolt - Long (Spindle to Spindle)	72	1502	2	Grease Fitting - 90°	112	4123	8	"O" Ring
				73	07-557	2	Wing Hinge Pin	113	1112	3	Locknut - 3/8" - 16
				74	1926	4	Roll Pin - 1/4" x 1-1/4"	114	1222	9	Washer - 3/8"
				75	07-624	2	Pivot Pin - Short	115	07-152	1	Skid Plate Assy.
				76	1132	4	Roll Pin - 1/4" x 1-1/2"	116	1076	3	Carriage Bolt

00-192 1/91



# HYDRAULIC SYSTEM

00-192 1/91 6

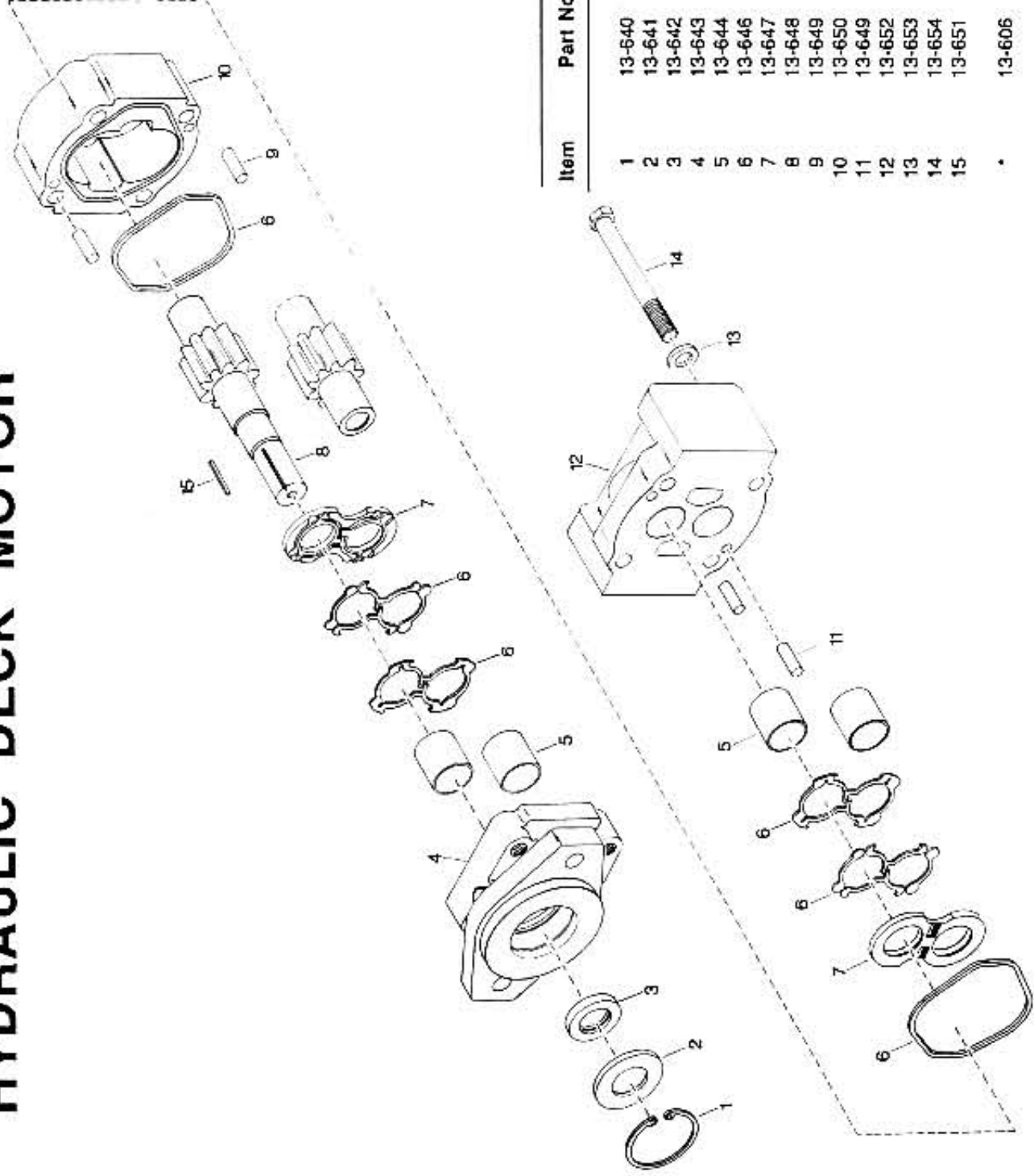


Item	Part No.	Qty.	Description	Item	Part No.	Qty.	Description
1	13-560	1	Pump	35	13-333	2	Fitting - 90°
2	13-503	1	Fitting	36	13-606	2	Hydraulic Motor
3	13-502	1	Fitting	37	13-334	2	Fitting - "T" Swivel
4	13-499	1	Hose Assembly - Pressure	38	13-490	1	Hose - "T" to Manifold
5	13-325	1	Bulkhead Fitting	39	13-337	1	Fitting - Straight
6	07-448	1	Bulkhead Mount Brkt. - Left	40	13-392	1	Manifold
7	13-395	1	Tube - Bulkhead to Relief Valve	41	13-341	1	Hose - Oil Cooler to Manifold
8	13-498	1	Hose - Suction	42	13-494	1	Hose - "T" to Bulkhead - Return
9	03-432	1	Bulkhead Fitting	43	13-297	1	Hose - Manifold to Filter
10	07-455	1	Bulkhead Mount Brkt. - Right	44	03-758	1	Fitting - 90°
11	03-667	1	Front Cylinder	45	03-160	1	Filter Assembly
12	03-780	4	Fitting - 90°	46	03-161	1	Filter Only
13	13-323	3	Fitting - Straight	47	13-501	2	Fitting "T"
14	13-279	1	Valve - 3 Spool	48	13-296	1	Fitting - 90°
15	13-329	2	Fitting	49	13-296	1	Fitting - 45°
16	13-383	1	Relief Valve	50	13-012	1	Hose - Reservoir to Trans.
17	13-330	1	Fitting - 90°	51	13-011	1	Hose - Diff. Case to "T"
18	05-362	1	Relief Valve Mount Plate	52	03-348	1	Suction Strainer
19	13-497	1	Hose - Relief Valve to Selector Valve (Pressure)	53	13-253	1	Fitting - "T"
20	13-281	1	Hose - Relief Valve to Bulkhead (Pressure Relief)	54	03-758	1	Fitting - 90°
21	13-291	1	Hose - Control Valve to Lift Cylinder - Left	55	4328	1	3/8" Pipe Plug
22	13-292	1	Hose - Valve to Front Cylinder	56	03-297A	1	Oil Reservoir
23	13-489	1	Hose - Valve to Lift Cylinder - Right	57	03-785	1	Reservoir Cap
24	13-293	1	Hose - Front Cylinder to Manifold	58	6023	2	Clamp
25	13-396	1	Tube - Reservoir to Pump	59	13-241	2	Fitting - 45°
26	13-493	1	Hose - L.H. Selector Valve to R.H. Selector Valve	60	13-364	1	Oil Cooler
27	13-331	6	Fitting - 45°	61	03-366	1	Fitting - 90°
28	03-623	1	Selector Valve - Right Wing	62	13-342	1	Hose - Bulkhead to Oil Cooler
29	13-380	2	Wing Lift Cylinder	63	13-313	1	L.H. Motor Case Drain
30	13-322	2	Fitting - Straight	64	13-332	1	L.H. Motor Case Drain
31	13-488	2	Hose - Wing Cylinder Case Drain	65	03-624	1	Fitting - Bulkhead "T"
32	13-583	2	Hose - Wing Motor Supply	66	13-491	1	Selector Valve - Left Wing
33	13-495*	2	Hose - Wing Motor Supply	67	03-367	2	Hose Assembly - Manifold Drain
34	13-496	2	Hose - Wing Motor Return	68	13-592	2	Fitting - 90°
—	13-299	1	R.H. Motor Case Drain	—	03-780*	2	Fitting - Straight
—	13-504*	1	R.H. Motor Case Drain	Not Shown	13-505	2	Hose Cover (5 - Hoses)
—	—	—	—	Not Shown	13-500	2	Hose Cover (2 - Hoses)

\*Serial #'s - C126-0100 through C126-0202

# HYDRAULIC DECK MOTOR

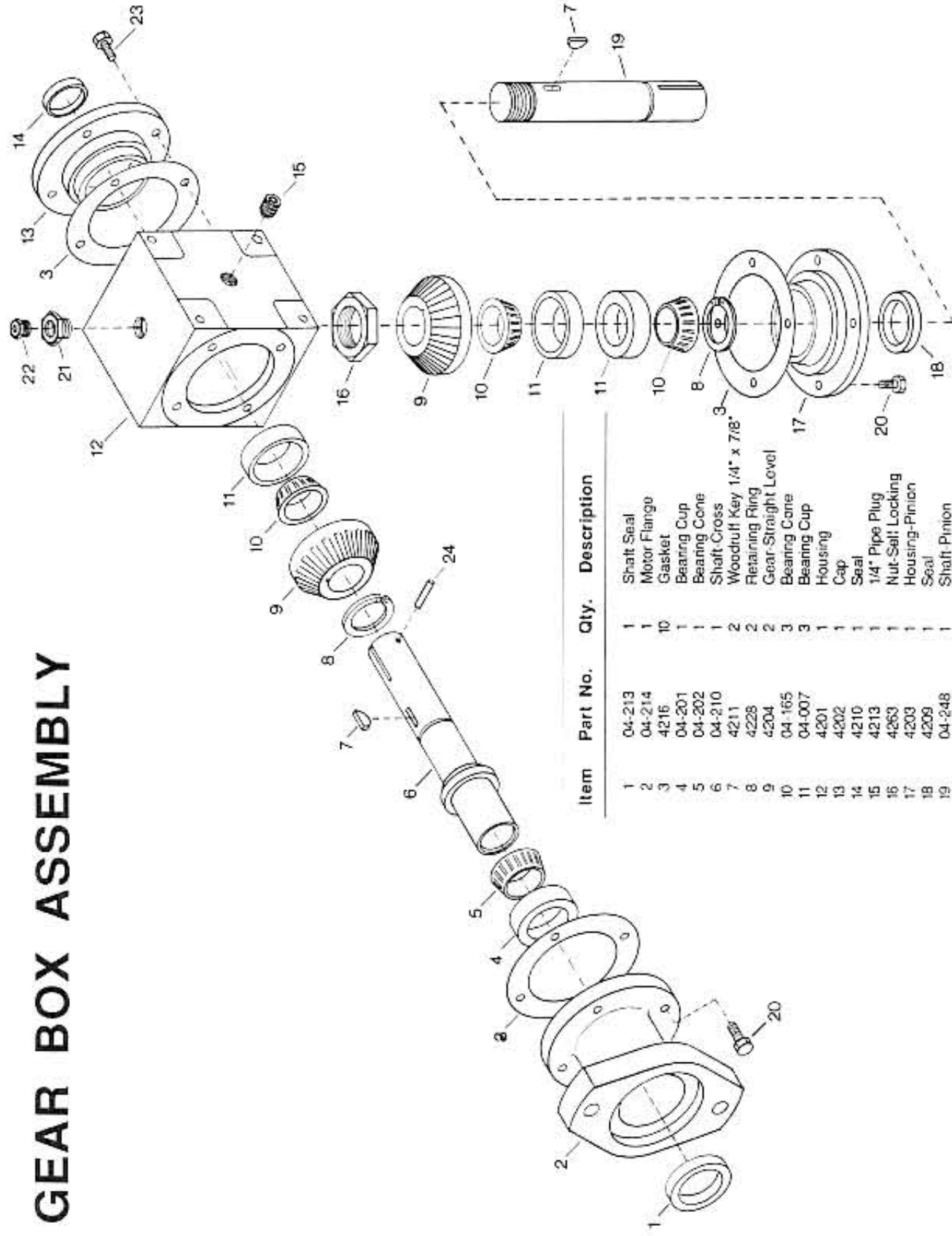
00-192 1/91 8



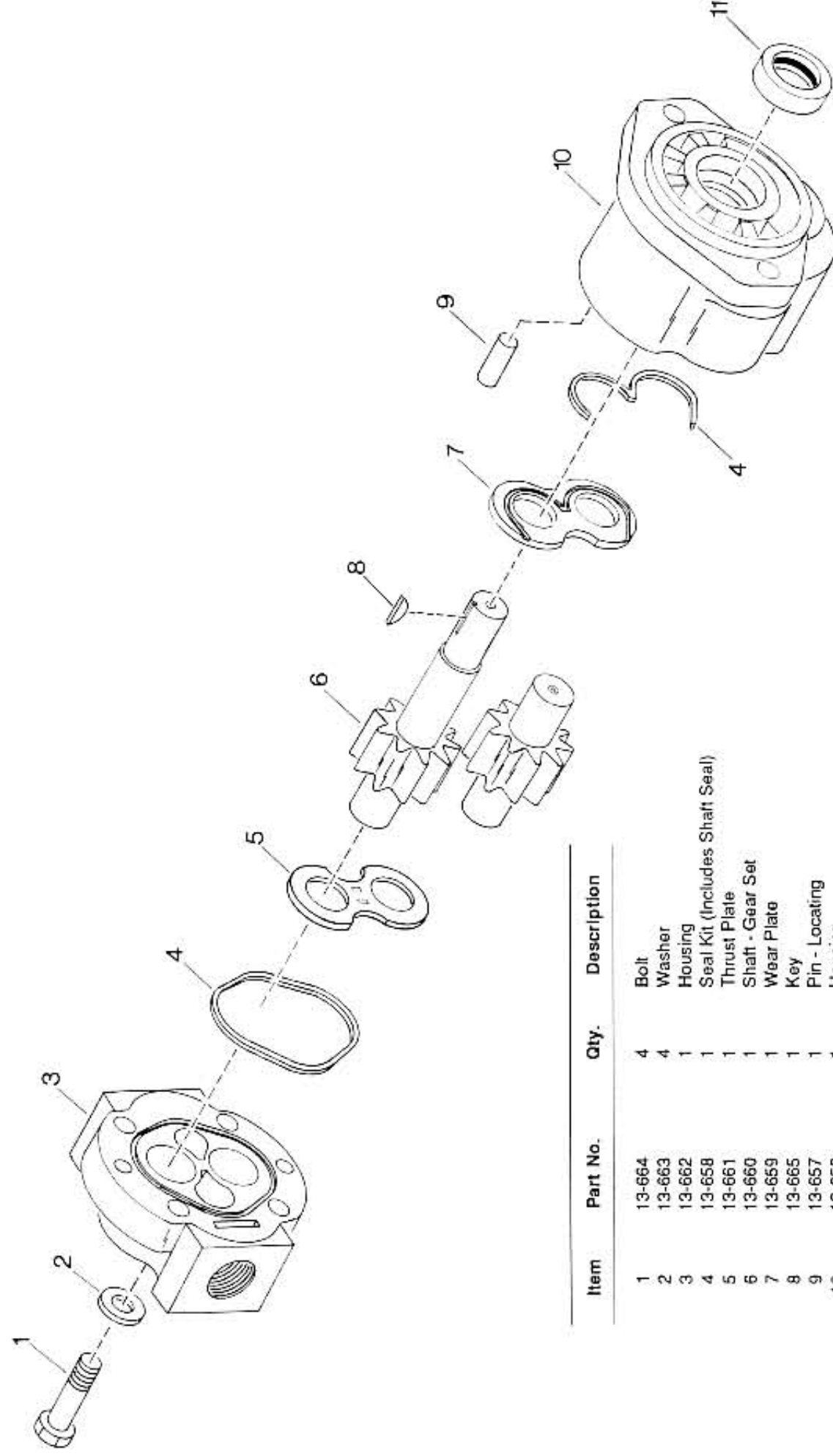
Item	Part No.	Qty.	Description
1	13-640	1	Snap Ring
2	13-641	1	Retainer
3	13-642	1	Shaft Seal
4	13-643	1	Housing
5	13-644	4	Bushing
6	13-646	1	Seal Kit (includes Shaft Seal)
7	13-647	2	Thrust Plate
8	13-648	1	Shaft - Gear Set
9	13-649	2	Pin - Locating
10	13-650	1	Housing
11	13-649	1	Pin - Locating
12	13-652	1	Housing
13	13-653	4	Washer
14	13-654	4	Bolt
15	13-651	1	Key
*	13-606	—	Complete Motor Assy.

# GEAR BOX ASSEMBLY

00-192 1/91 9



Item	Part No.	Qty.	Description
1	04-213	1	Shaft Seal
2	04-214	1	Motor Flange
3	4216	10	Gasket
4	04-201	1	Bearing Cup
5	04-202	1	Bearing Cone
6	04-210	1	Shaft Cross
7	4211	2	Woodruff Key 1/4" x 7/8"
8	4228	2	Retaining Ring
9	4204	2	Gear Straight Level
10	04-165	3	Bearing Cone
11	04-007	3	Bearing Cup
12	4201	1	Housing
13	4202	1	Cap
14	4210	1	Seal
15	4213	1	1/4" Pipe Plug
16	4263	1	Nut-Set Locking
17	4203	1	Housing-Pinion
18	4209	1	Seal
19	04-248	1	Shaft Pinion
20	1020	10	Bolt - 5/16" - 18 x 3/4"
21	4214	1	Reducer Bushing
22	4215	1	Vent Plug
23	1213	2	Bolt - 5/16" - 18 x 1"
24	1402	1	Roll Pin - 5/16" x 1-5/8"

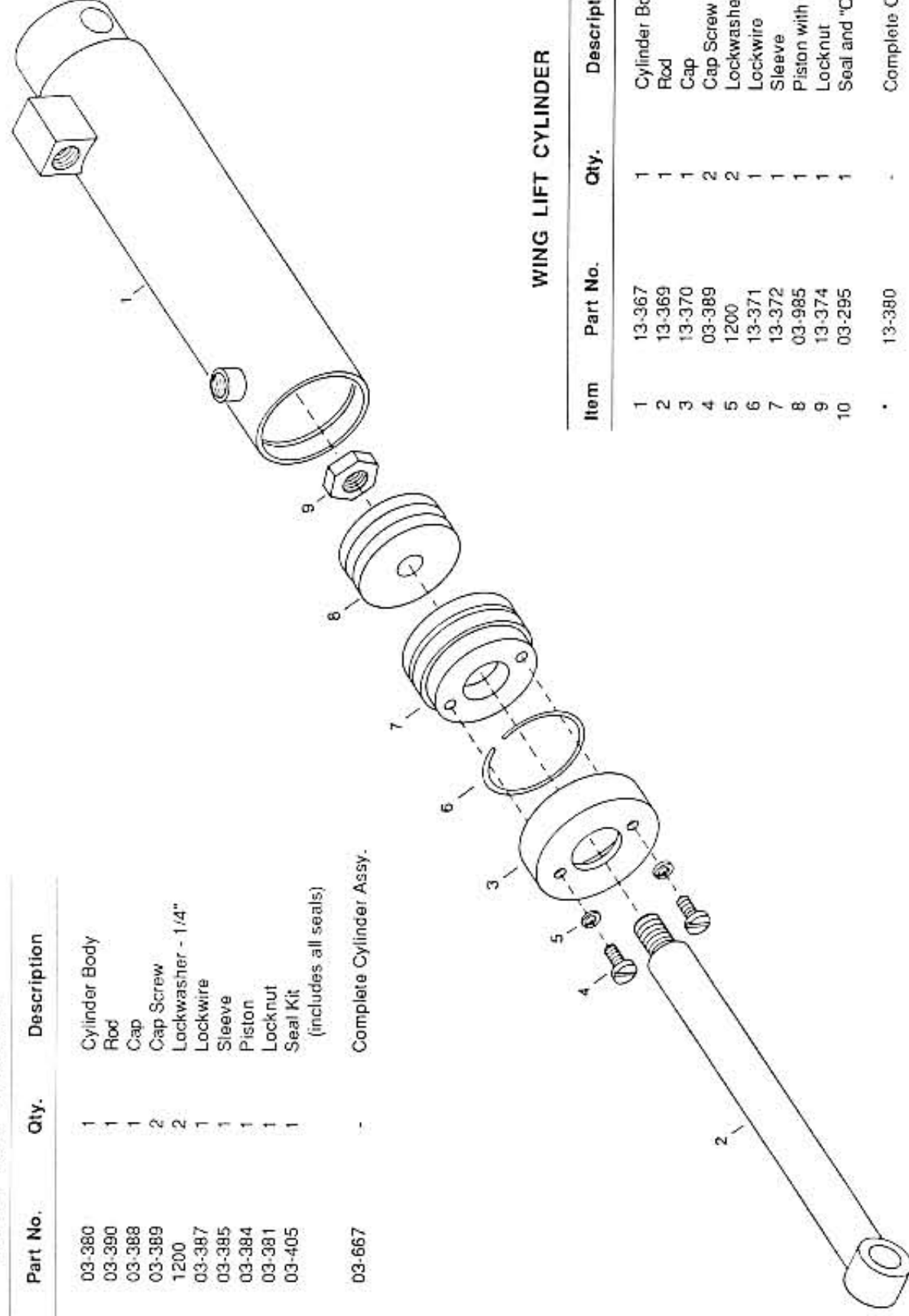


Item	Part No.	Qty.	Description
1	13-664	4	Bolt
2	13-663	4	Washer
3	13-662	1	Housing
4	13-658	1	Seal Kit (Includes Shaft Seal)
5	13-661	1	Thrust Plate
6	13-660	1	Shaft - Gear Set
7	13-659	1	Wear Plate
8	13-665	1	Key
9	13-657	1	Pin - Locating
10	13-656	1	Housing
11	13-655	1	Shaft Seal
*	13-560	-	Complete Pump Assy.

# LIFT CYLINDER ASSEMBLY

## FRONT LIFT CYLINDER

Item	Part No.	Qty.	Description
1	03-380	1	Cylinder Body
2	03-390	1	Rod
3	03-388	1	Cap
4	03-389	2	Cap Screw
5	1200	2	Lockwasher - 1/4"
6	03-387	1	Lockwire
7	03-395	1	Sleeve
8	03-384	1	Piston
9	03-381	1	Locknut
10	03-405	1	Seal Kit (includes all seals)
*	03-667	-	Complete Cylinder Assy.



## WING LIFT CYLINDER

Item	Part No.	Qty.	Description
1	13-367	1	Cylinder Body (2 port)
2	13-369	1	Rod
3	13-370	1	Cap
4	03-389	2	Cap Screw
5	1200	2	Lockwasher - 1/4"
6	13-371	1	Lockwire
7	13-372	1	Sleeve
8	03-985	1	Piston with "O" Ring
9	13-374	1	Locknut
10	03-295	1	Seal and "O" Ring Kit
*	13-380	-	Complete Cylinder Assy