



18155 Edison Avenue • Chesterfield, Missouri 63005

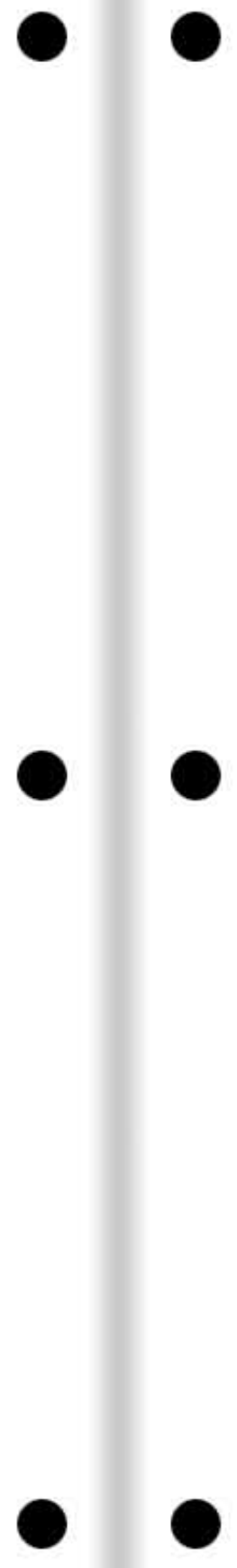
TURF BLAZER

1260

**126" ROTARY
ATTACHMENT**

PARTS MANUAL

MODEL C126

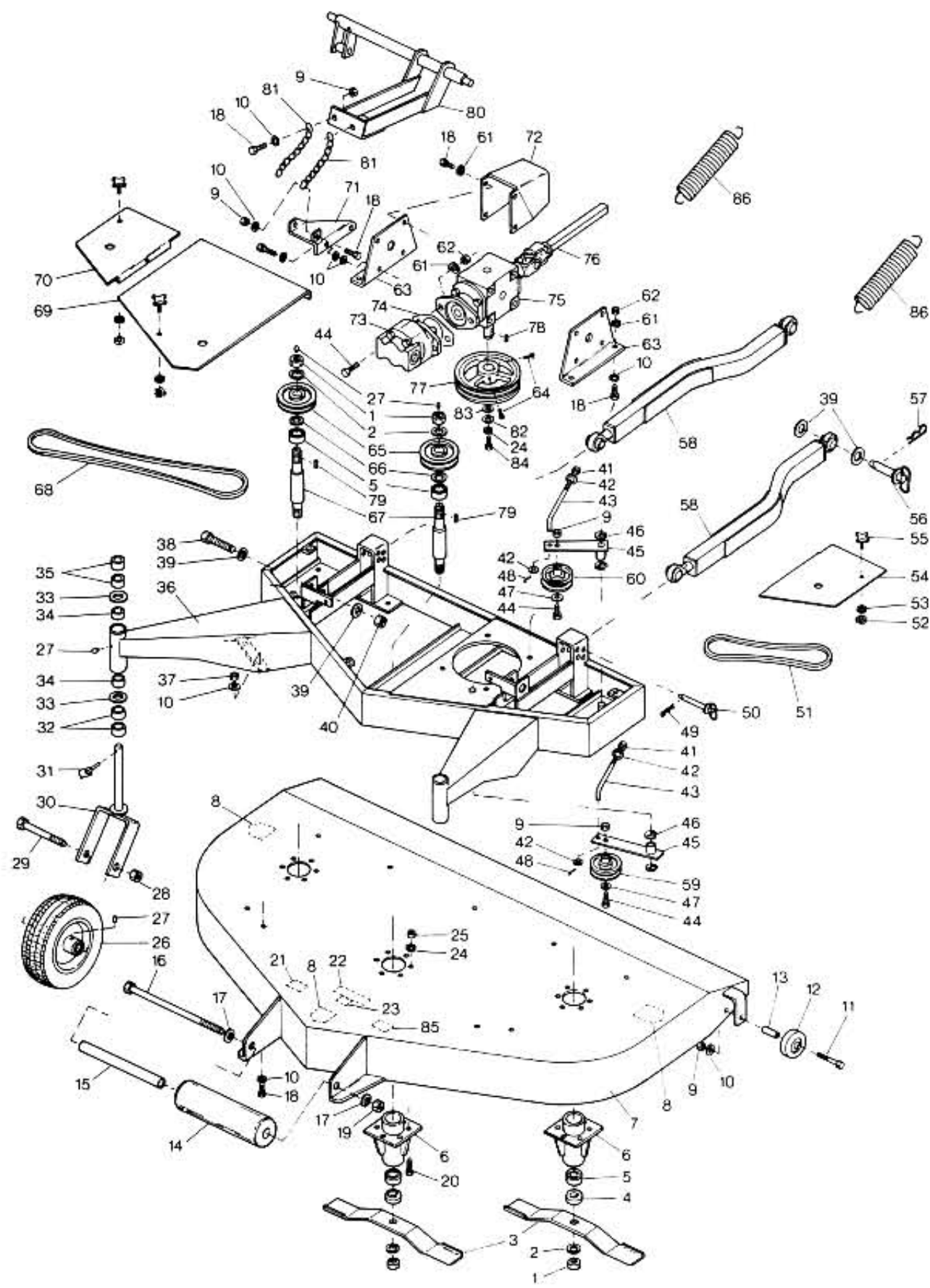


INDEX

FRONT DECK ASSEMBLY	2
WING DECK ASSEMBLY	4
HYDRAULIC SYSTEM	6
HYDRAULIC MOTOR	8
GEAR BOX ASSEMBLY	9
LIFT CYLINDER ASSEMBLY	10

FRONT DECK ASSEMBLY

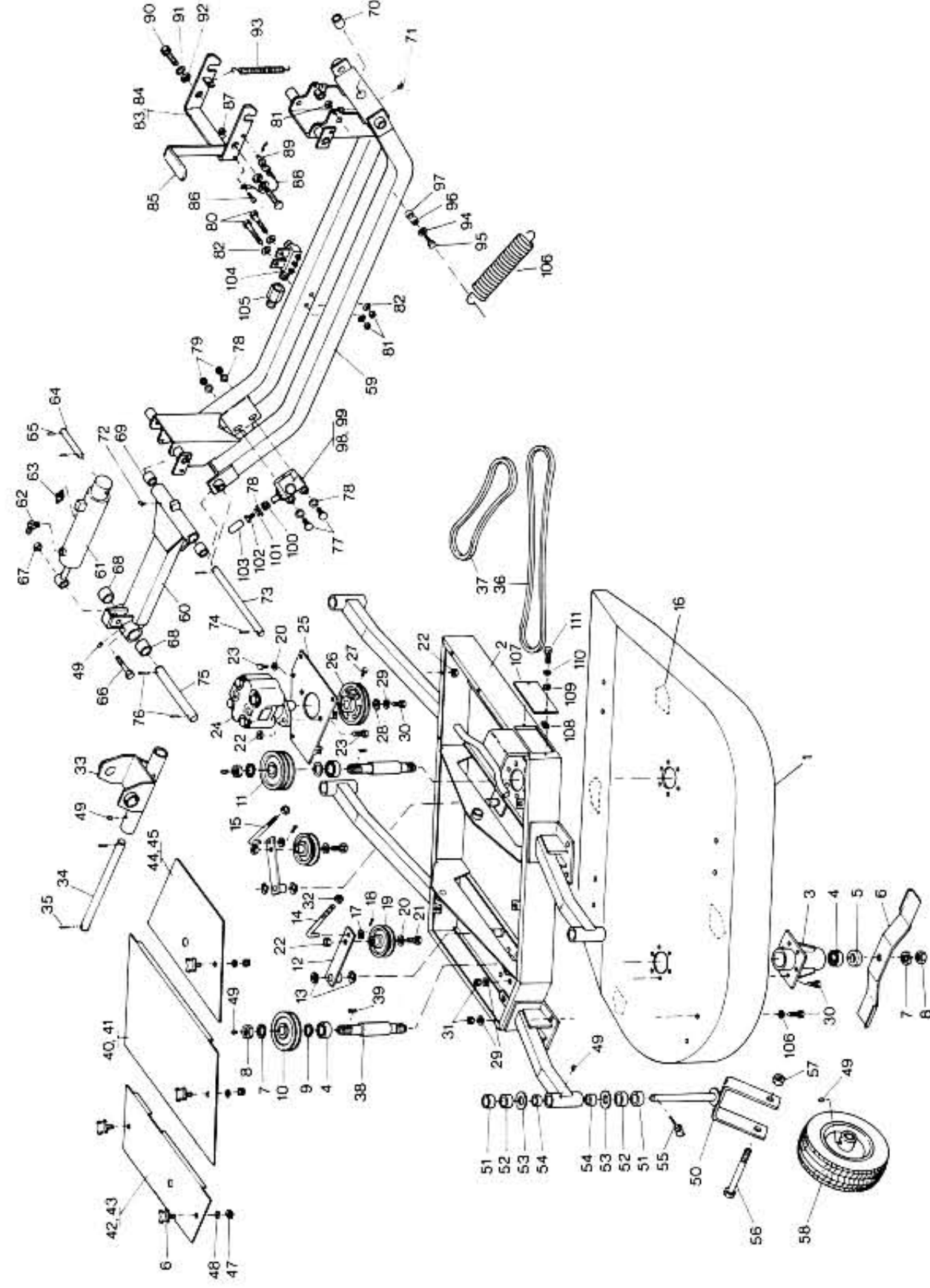
00-192 6/90 2



ITEM	PART #	NO. REQ'D	DESCRIPTION	ITEM	PART #	NO. REQ'D	DESCRIPTION	ITEM	PART #	NO. REQ'D	DESCRIPTION
1	1731	6	Jam Nut 1" - 14	30	07-308	2	Caster Yoke	60	09-070	1	Pulley
2	1207	6	Lockwasher 1"	31	07-016	4	Klick Pin	61	1202	14	Lockwasher 3/8"
3	07-108	3	Blade	32	07-000	4	Spacer - 1"	62	1103	6	Hex Nut 3/8" - 16
—	07-108H	3	Blade - Hightift	33	1942	4	Flatwasher - 1 1/4" I.D.	63	07-415	2	Support Bracket
4	07-006B	3	Blade Adapter	34	04-002	4	Bushing	64	1615	2	Square Head Bolt 5/16" - 18 x 3/4"
5	04-105A	3	Blade Shaft Bearing	35	07-001	4	Spacer - 1/2"	65	04-228	3	Deck Pulley
6	07-413	3	Blade Hub	36	07-410	1	Front Deck Frame	66	1233	5	Machine Bushings 1" 18 GA.
7	07-409	1	Front Deck 60"	37	1911	4	Nylon Locknut 3/8" - 16	67	07-414	3	Shaft Blade
8	00-054	3	Decal "Danger Hands and Feet"	38	1085	2	Bolt 3/4" - 10 x 3'	68	07-431	1	Belt - Long
9	1112	2	Locknut 3/8" - 16	39	1224	24	Flatwasher 3/4"	69	07-418	1	Center Deck Cover
10	1222	16	Flatwasher 3/8"	40	1114	2	Locknut 3/4" - 10	70	07-416	1	Deck Cover R.H.
11	1873	2	3/8" - 16 x 2 1/2" HHCS	41	1101	4	Hex Nut 1/4" - 20	71	07-411	1	Lift Bracket
12	4129	2	Caster Wheel	42	1220	4	Flatwasher 1/4"	72	07-450	1	PTO Cover
13	4264	2	Bushing	43	07-446	4	Rod - 7 1/4"	73	13-473	1	Hydraulic Pump
14	07-135	1	Roller	44	1822	4	3/8" - 16 x 1 3/4" HHCS	—	13-548	1	Shaft Seal
15	07-139	1	Roller Shaft	45	07-419	2	Belt Tightener Lever	—	13-549	1	Seal Kit
16	2124	1	Bolt 1/2" x 13 x 11"	46	09-115	4	E-Clips	74	04-037	1	Gearbox Gasket
17	1223	2	Flatwasher 1/2"	47	1769	2	Flatwasher 3/8" SAE	75	04-182	1	Gearbox
18	1957	15	3/8" - 16 x 1" HHCS	48	2075	2	Cotter Pin	76	04-119B	1	PTO Driveshaft - Male
19	1747	1	Locknut 1/2" x 13	49	1793	2	Hair Pin Clip - 3/16"	77	4163	1	Pulley
20	1213	23	5/16" - 18 x 1" HHCS	50	07-015	2	Cotter Pins 3/32" x 1/2"	78	1602	1	Key 1/4" x 1 1/4"
21	00-057	1	Decal "Warning Blade Torque"	51	07-430	1	Belt-Short	79	1310	2	Key 1/4" x 1"
22	7039	1	Decal "Turf Blazer"	52	2015	3	"U" Nut 5/16" - 18	80	07-440	1	Deck Lift Assy
23	7012	1	Decal "60"	53	2026	3	Retaining Clip	81	07-457	2	9 Link Chain
24	1201	24	Lockwasher 5/16" - 1	54	07-417	1	Deck Cover L.H.	82	1229	1	Fender Washer 5/16"
25	1102	23	Hex Nut 5/16" - 18	55	07-315	3	Deck Hood Knob	83	1221	1	Flatwasher 5/16" SAE
26	08-121	2	Caster Wheel	56	1236	2	Pins	84	1020	1	Bolt 5/16" - 18 x 3/4"
27	1500	7	Grease Fitting	57	1793	2	Hair Pin Clip - 3/16"	85	00-022	1	Decal "Guard OSHA"
28	1113	2	Locknut 5/16" - 11	58	07-412	2	Push Arm	86	04-131	2	Spring - 10"
29	1709	2	Bolt 5/8" - 11 x 6"	59	07-435	1	Idle Pulley				

WING DECK ASSEMBLY

00-192 6/90 4

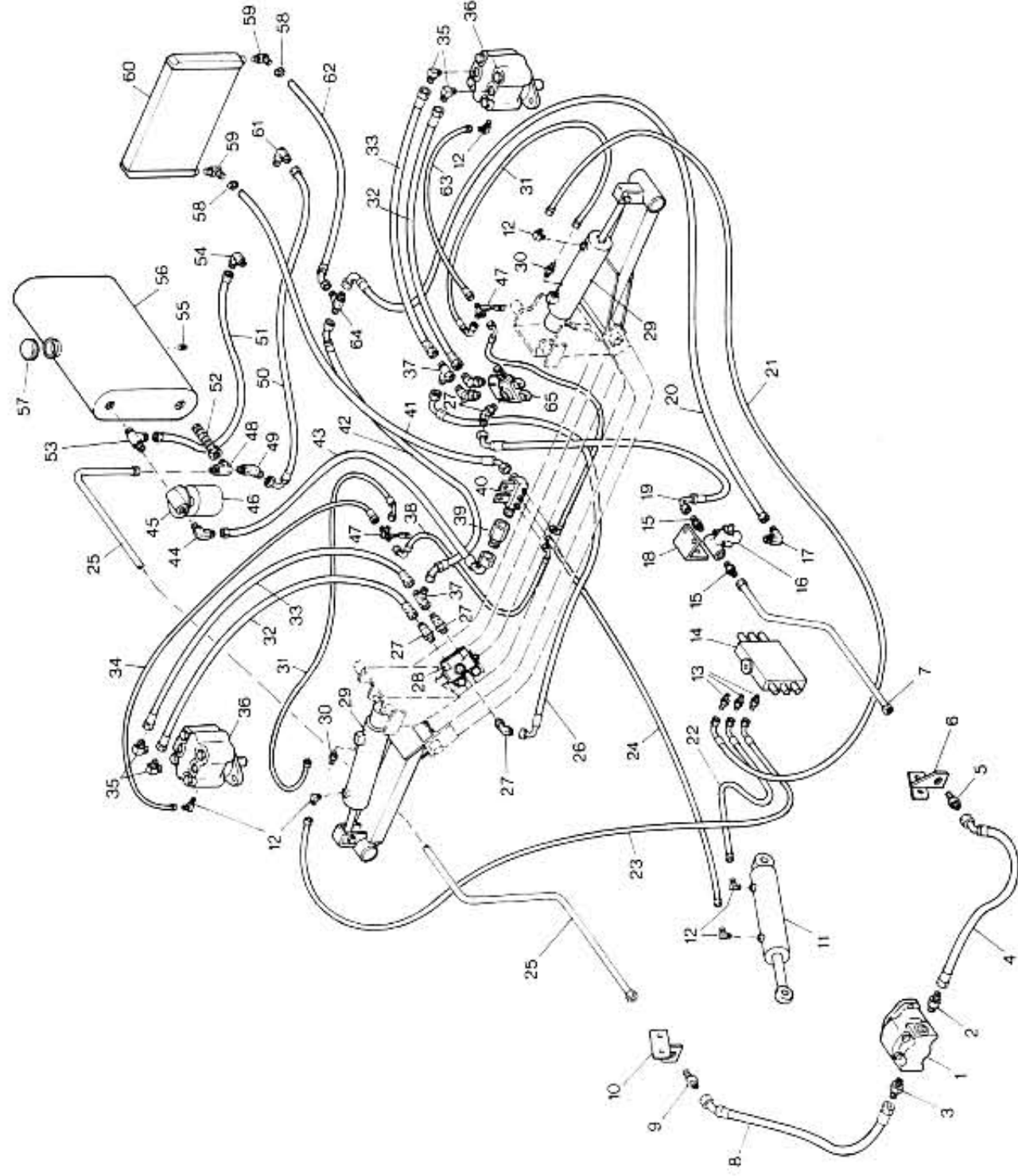


ITEM	PART #	NO. REQ'D	DESCRIPTION	ITEM	PART #	NO. REQ'D	DESCRIPTION	ITEM	PART #	NO. REQ'D	DESCRIPTION
1	07-405	1	Wing Deck Pan - Right	36	07-433	1	Belt - Long (Spindle to Spindle)	75	07-624	2	Pivot Pin - Short
-	07-406	1	Wing Deck Pan - Left	37	07-432	1	Belt - Short (Deck Motor to Spindle)	76	1132	4	Roll Pin - 1/4" x 1 1/2"
2	07-401	1	Wing Deck Frame - Right	38	07-414	2	Shaft - Blade	77	1025	4	Bolt - 5/16" - 18 x 2"
-	07-402	1	Wing Deck Frame - Left	39	1310	2	Key 1/4" x 1"	78	1221	8	Flatwasher - 5/16"
3	07-413	2	Blade Shaft Hub	40	07-420	1	Center Cover - Right Wing	79	1111	4	Locknut - 5/16" - 18
4	04-105A	4	Blade Shaft Bearing	41	07-421	1	Center Cover - Left Wing	80	1823	2	Bolt - 3/8" - 16 x 2 3/4"
5	07-006B	2	Blade Adaptor	42	07-422	1	Outside Cover - Right Wing	81	1112	4	Locknut 3/8" - 16
6	07-108	2	Blade - Standard Lift	43	07-423	1	Outside Cover - Left Wing	82	1222	4	Flatwasher - 3/8"
-	07-108H	2	Blade - High Lift	44	07-424	1	Inside Cover - Right Wing	83	07-427	1	Left Wing Lock Assembly
7	1207	4	Lockwasher - 1"	45	07-425	1	Inside Cover - Left Wing	84	07-426	1	Right Wing Lock Assembly
8	1731	4	Half Nut - 1" - 14	46	07-315	3	Knob - Deck Hood	85	05-121	2	Rubber Handle Grip
9	1233	2	Machine Bushing - 1"	47	2015	3	U-Nut - 5/16" - 18	86	2054	2	10 - 32 x 3/4" Phillips Head Mach. Screw
10	04-064	1	Single Groove Pulley	48	2026	3	Retainer	87	1775	2	Locknut - 10-32 ESNA
11	04-065	1	Double Groove Pulley	49	1500	12	Grease Fitting	88	08-111	2	Cable
12	07-419	2	Lever Assy - Belt Tensioner	50	07-441	4	Caster Yoke	89	07-449	2	Hitch Pin & Clip
13	09-115	4	"E" - Clip	51	4117	8	Spacer - 1"	90	1082	4	Bolt - 1/2" - 13 x 1 1/2"
14	07-446	1	7 1/4" Rod - Right Wing	52	4118	8	Spacer - 1/2"	91	1231	4	Flatwasher - 1/2" SAE
-	07-429	1	4" Rod - Left Wing	53	1408	8	Flatwasher - 1" I.D.	92	07-443	4	Wing Lock Spacer
15	07-446	1	7 1/4" Rod - Right Wing	54	4121	8	Bushing	93	04-200	2	Wing Lock Spring
-	07-428	1	6" Rod - Left Wing	55	07-016	4	Klick Pin	94	1230	2	Fenderwasher - 3/8"
16	00-054	4	Decal "Danger Hands and Feet"	56	1709	4	Bolt - 5/8" - 11 x 6"	95	1824	2	Bolt - 3/8" - 16 x 1 1/4"
17	1220	2	Flatwasher - 1/4"	57	1113	4	Locknut 5/8" - 11	96	07-444	2	Spacer - Spring Anchor
18	2075	2	Cotter Pin - 3/32" x 1/2"	58	08-121	4	Caster Wheel	97	07-445	2	Roller - Wing Spring
19	07-435	2	Idler Pulley	59	07-407	1	Frame Assembly	98	03-623	1	Selector Valve - Right Wing
20	1769	2	Flatwasher - 3/8" SAE	60	07-400	2	Arm Assembly	99	03-624	1	Selector Valve - Left Wing
21	1822	2	Bolt - 3/8" - 16 x 1 3/4" GR. 5	61	13-380	2	Lift Cylinder	100	04-289	2	Spring
22	1112	4	Locknut - 3/8" x 16	62	03-780	2	Fitting - 90°	101	1202	2	Lockwasher - 3/8"
23	1033	2	Bolt - 3/8" - 16 x 1 1/2"	63	13-322	2	Fitting	102	1030	2	Bolt - 3/8" - 16 x 3/4"
24	13-249	1	Hydraulic Motor	64	07-438	2	Shaft - Cylinder to Frame	103	06-151	2	Wing Valve Push Rod
25	07-403	1	Motor Plate	65	1135	4	Roll Pin - 3/16" x 1 1/4"	104	13-392	1	Manifold
26	07-436	1	Pulley	66	1708	2	Bolt - 1/2" - 13 x 2 1/2"	105	13-337	1	Fitting - Straight
27	1126	2	Set Screw - 5/16" - 18 x 1/4"	67	1747	2	Locknut - 1/2" - 13	106	04-131	2	Spring - 10"
28	1229	1	Fenderwasher - 5/16"	68	04-002	4	Bushing	107	07-437	1	Cover Plate
29	1201	26	Lockwasher - 5/16"	69	4121	4	Bushing	108	1732	2	"U" - Nut
30	1213	26	Bolt - 5/16" - 18 x 1" GR. 5	70	04-130	2	Bushing	109	1220	2	Flatwasher - 1/4"
31	1102	26	Hex Nut - 5/16" - 18	71	1501	2	Grease Fitting - 45°	110	1200	2	Lockwasher - 1/4"
32	1101	4	Hex Nut - 1/4" - 20	72	1502	2	Grease Fitting - 90°	111	1000	2	Bolt - 1/4" - 20 x 3/4"
33	07-408	2	Support Assy.	73	07-557	2	Wing Hinge Pin				
34	07-447	2	Shaft - Wing Deck Hanger	74	1926	4	Roll Pin - 1/4" x 1 1/4"				
35	1131	4	Roll Pin - 1/4" x 1"								

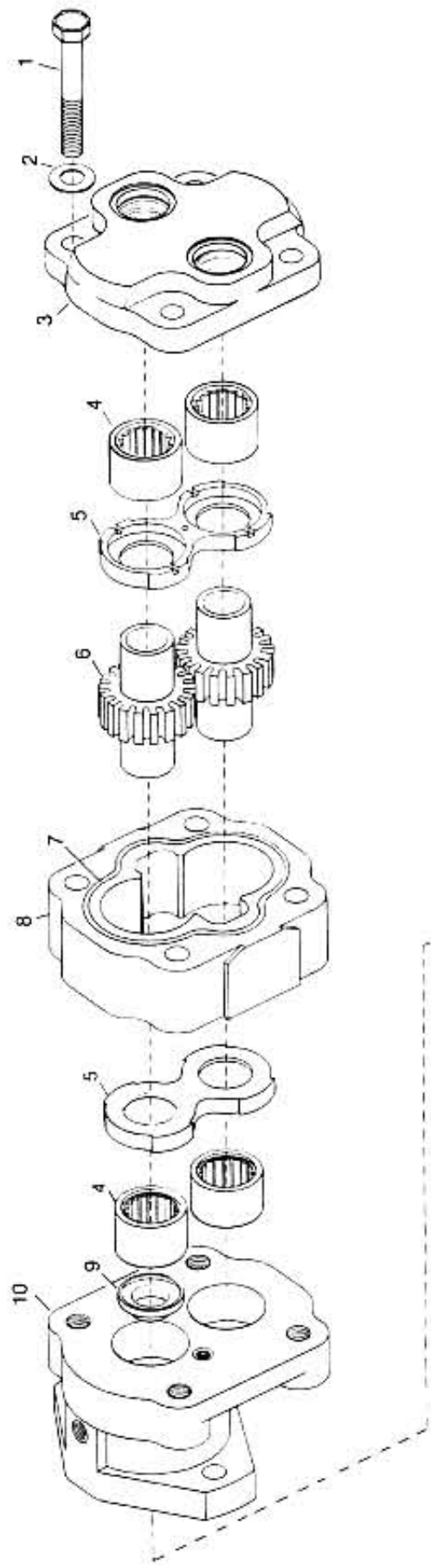
00-192 6/90 5

HYDRAULIC SYSTEM

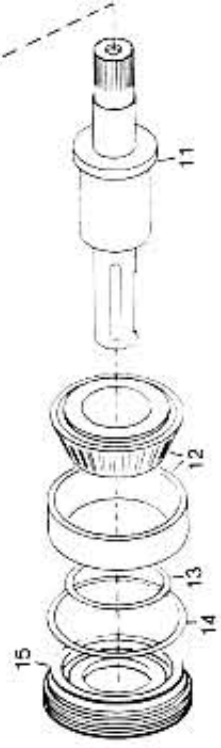
00-192 6/90 6



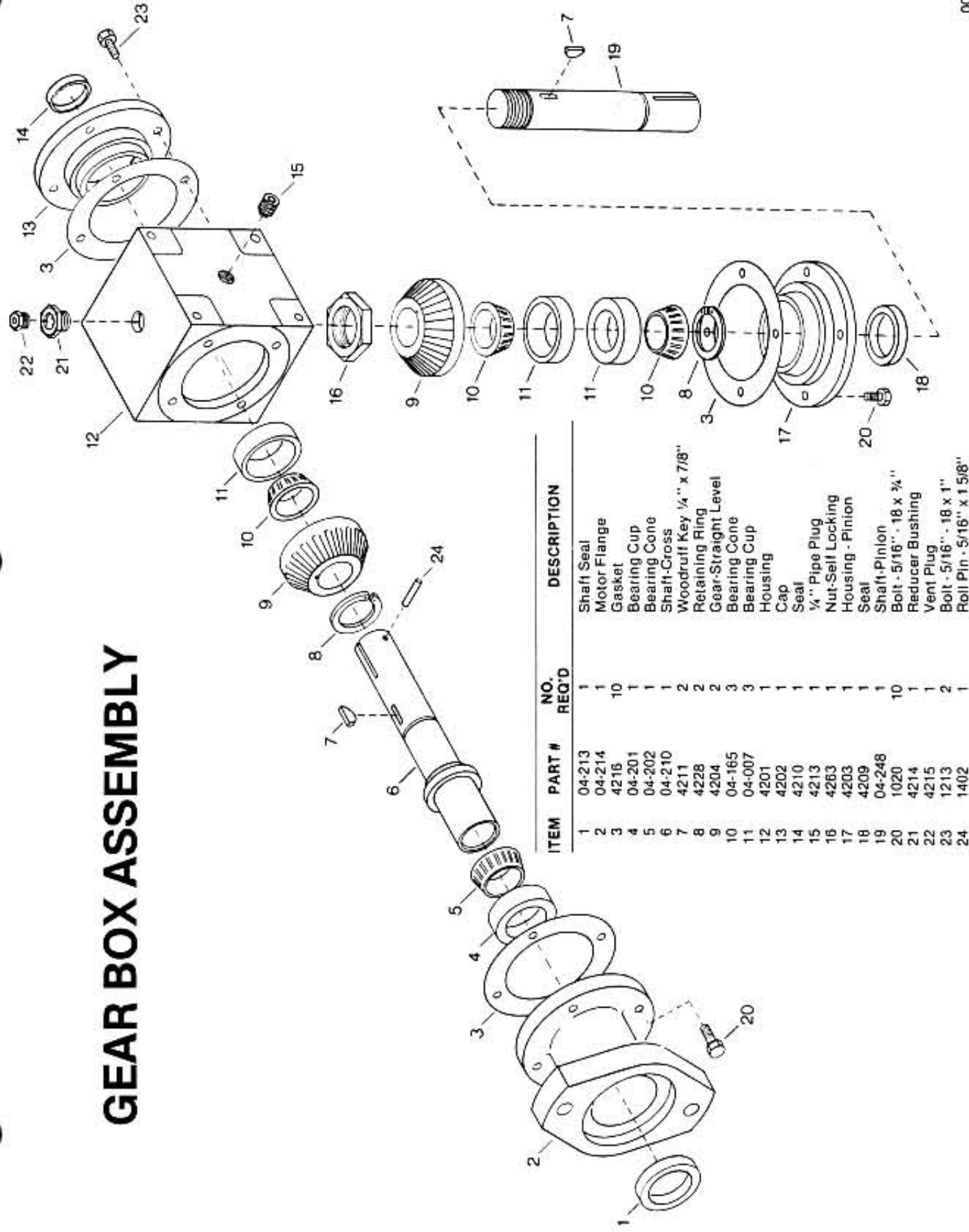
ITEM	PART #	NO. REQ'D	DESCRIPTION	ITEM	PART #	NO. REQ'D	DESCRIPTION
1	13-473	1	Pump	35	13-333	4	Fitting - 90°
2	13-503	1	Fitting	36	13-249	2	Hydraulic Motor
3	13-502	1	Fitting	37	13-334	2	Fitting - "T" Swivel
4	13-499	1	Hose Assembly - Pressure	38	13-490	1	Hose - "T" to Manifold
5	13-325	1	Bulkhead Fitting	39	13-337	1	Fitting - Straight
6	07-448	1	Bulkhead Mount Brkt. - Left	40	13-392	1	Manifold
7	13-395	1	Tube - Bulkhead to Relief Valve	41	13-341	1	Hose - Oil Cooler to Manifold
8	13-498	1	Hose - Suction	42	13-494	1	Hose - "T" to Bulkhead - Return
9	03-432	1	Bulkhead Fitting	43	13-297	1	Hose - Manifold to Filter
10	07-455	1	Bulkhead Mount Brkt. - Right	44	03-758	1	Fitting - 90°
11	03-667	1	Front Cylinder	45	03-160	1	Filter Assembly
12	03-780	6	Fitting - 90°	46	03-161	1	Filter Only
13	13-323	3	Fitting - Straight	47	13-501	2	Fitting "T"
14	13-279	1	Valve - 3 Spool	48	13-296	1	Fitting - 90°
15	13-329	2	Fitting	49	13-298	1	Fitting - 45°
16	13-383	1	Relief Valve	50	13-012	1	Hose - Reservoir to Trans.
17	13-330	1	Fitting - 90°	51	13-011	1	Hose - Diff. Case to "T"
18	05-362	1	Relief Valve Mount Plate	52	03-348	1	Suction Strainer
19	13-497	1	Hose - Relief Valve to Selector Valve (Pressure)	53	13-253	1	Fitting - "T"
20	13-281	1	Hose - Relief Valve to Bulkhead (Pressure Relief)	54	03-758	1	Fitting - 90°
21	13-291	1	Hose - Control Valve to Lift Cylinder - Left	55	4328	1	3/8" Pipe Plug
22	13-292	1	Hose - Valve to Front Cylinder	56	03-297A	1	Oil Reservoir
23	13-489	1	Hose - Valve to Lift Cylinder - Right	57	03-758	1	Reservoir Cap
24	13-293	1	Hose - Front Cylinder to Manifold	58	6023	2	Clamp
25	13-396	1	Tube - Reservoir to Pump	59	13-241	2	Fitting - 45°
26	13-493	1	Hose - L.H. Selector Valve to R.H. Selector Valve	60	13-364	1	Oil Cooler
27	13-331	6	Fitting - 45°	61	03-366	1	Fitting - 90°
28	03-623	1	Selector Valve - Right Wing	62	13-342	1	Hose - Bulkhead to Oil Cooler
29	13-380	2	Wing Lift Cylinder	63	13-492	1	Hose - L.H. Motor Case Drain
30	13-322	2	Fitting - Straight	64	13-332	1	Fitting - Bulkhead "T"
31	13-488	2	Hose - Wing Cylinder Case Drain	65	03-624	1	Selector Valve - Left Wing
32	13-495	2	Hose - Wing Motor Supply	Not Shown	13-505	2	Hose Cover (5 - Hoses)
33	13-496	2	Hose - Wing Motor Return	Not Shown	13-500	2	Hose Cover (2 - Hoses)
34	13-504	1	Hose - R.H. Motor Case Drain				



ITEM	PART #	NO. REQ'D	DESCRIPTION
1	1618	4	Bolt
2	13-443	4	Flatwasher
3	13-417	1	Port End Cover
4	13-418	4	Roller Bearing
5	13-419	2	Thrust Plate
6	13-420	1	Gear Set
7	13-424	2	Gasket Seal
8	13-421	1	Gear Housing
9	13-422	1	Shaft Bushing
10	13-423	1	Shaft End Covering
11	13-425	1	Shaft
12	13-426	1	Bearing (Cup and Cone)
13	13-427	1	Shaft Seal
14	13-428	1	"O" Ring
15	13-429	1	Retainer



GEAR BOX ASSEMBLY

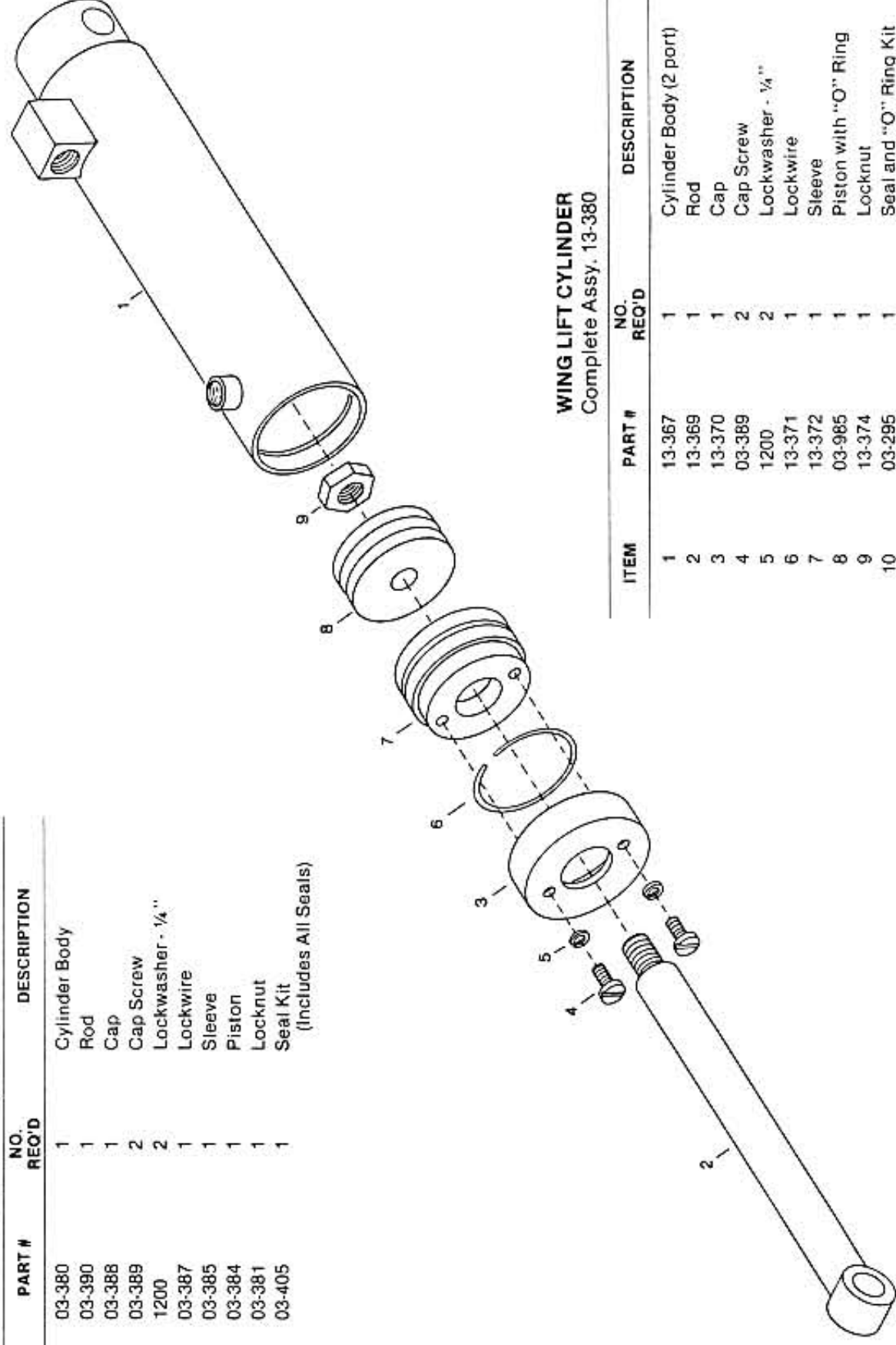


ITEM	PART #	NO. REQ'D	DESCRIPTION
1	04-213	1	Shaft Seal
2	04-214	1	Motor Flange
3	4216	10	Gasket
4	04-201	1	Bearing Cup
5	04-202	1	Bearing Cone
6	04-210	1	Shaft-Cross
7	4211	2	Woodruff Key 1/4" x 7/8"
8	4228	2	Retaining Ring
9	4204	2	Gear-Straight Level
10	04-165	3	Bearing Cone
11	04-007	3	Bearing Cup
12	4201	1	Housing
13	4202	1	Cap
14	4210	1	Seal
15	4213	1	1/4" Pipe Plug
16	4263	1	Nut-Self Locking
17	4203	1	Housing - Pinion
18	4209	1	Seal
19	04-248	1	Shaft-Pinion
20	1020	10	Bolt - 5/16" - 18 x 3/4"
21	4214	1	Reducer Bushing
22	4215	1	Vent Plug
23	1213	2	Bolt - 5/16" - 18 x 1"
24	1402	1	Roll Pin - 5/16" x 1 5/8"

LIFT CYLINDER ASSEMBLY

FRONT LIFT CYLINDER Complete Assy. 03-667

ITEM	PART #	NO. REQ'D	DESCRIPTION
1	03-380	1	Cylinder Body
2	03-390	1	Rod
3	03-388	1	Cap
4	03-389	2	Cap Screw
5	1200	2	Lockwasher - 1/4"
6	03-387	1	Lockwire
7	03-385	1	Sleeve
8	03-384	1	Piston
9	03-381	1	Locknut
10	03-405	1	Seal Kit (Includes All Seals)



WING LIFT CYLINDER Complete Assy. 13-380

ITEM	PART #	NO. REQ'D	DESCRIPTION
1	13-367	1	Cylinder Body (2 port)
2	13-369	1	Rod
3	13-370	1	Cap
4	03-389	2	Cap Screw
5	1200	2	Lockwasher - 1/4"
6	13-371	1	Lockwire
7	13-372	1	Sleeve
8	03-985	1	Piston with "O" Ring
9	13-374	1	Locknut
10	03-295	1	Seal and "O" Ring Kit

