



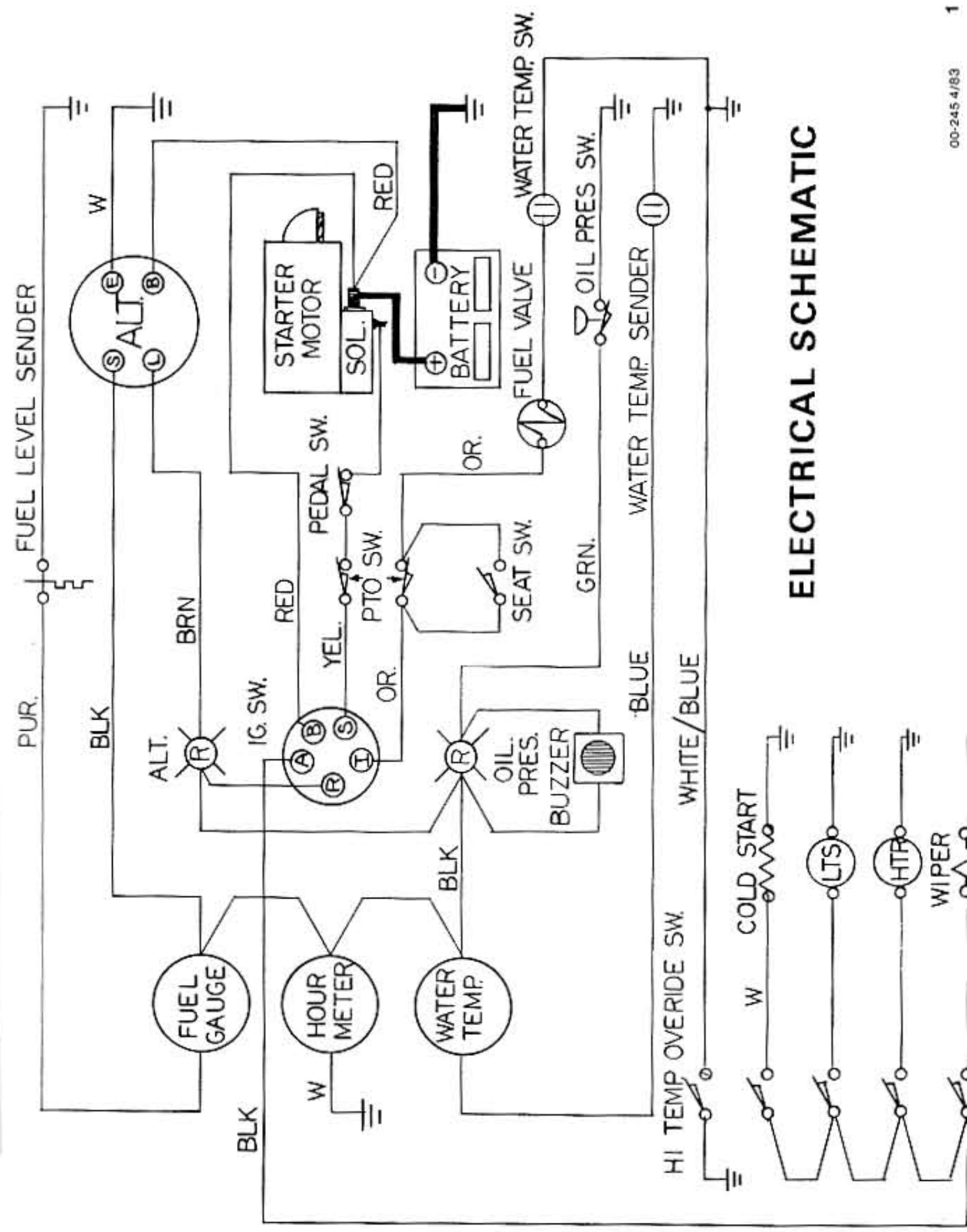
18155 Edison Avenue • Chesterfield, Missouri 63017

TURF BLAZER

727

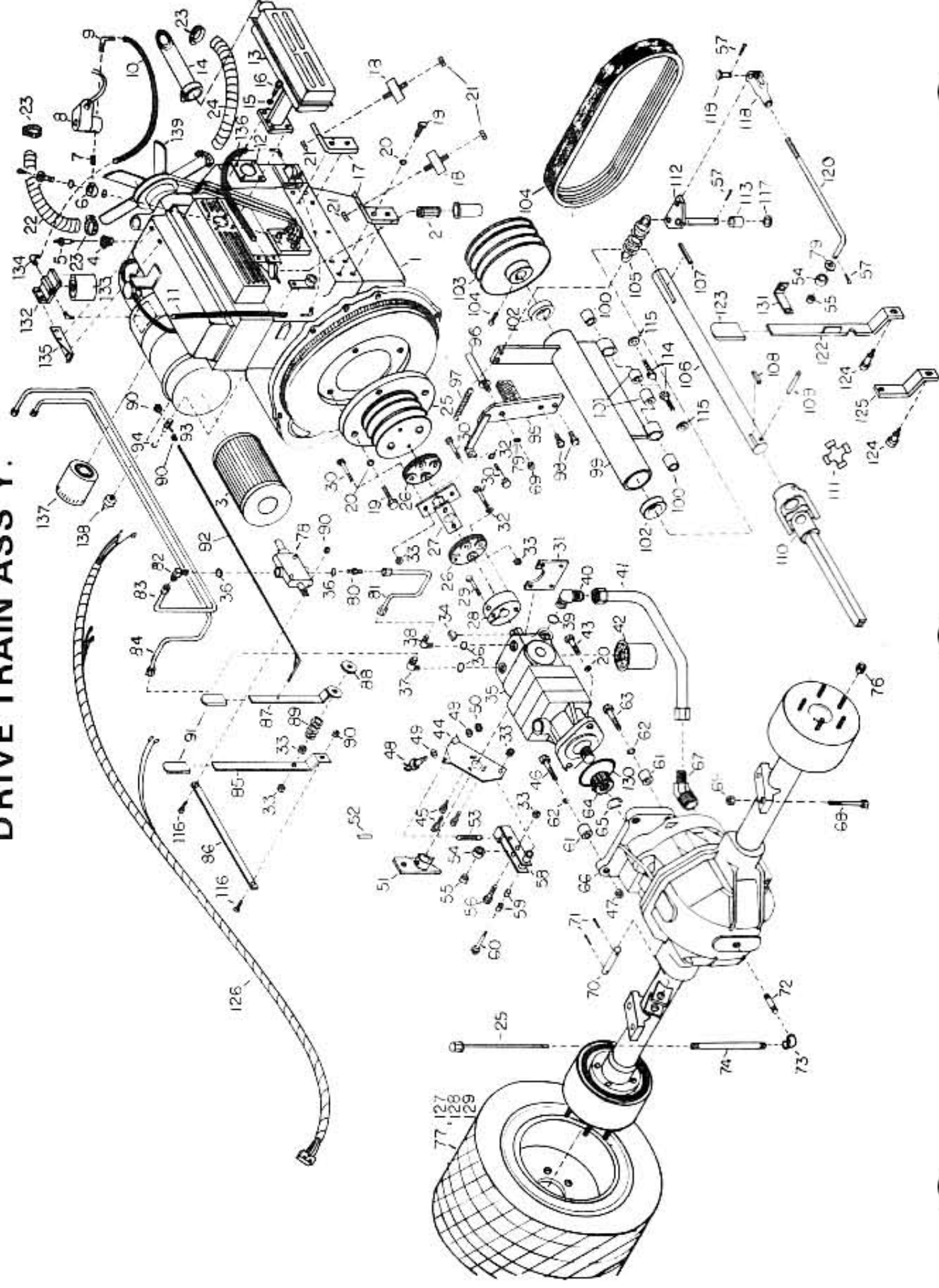
PARTS MANUAL

MODEL 72Y27 TRACTOR
MODEL C72D ROTARY MOWER
MODEL C60D ROTARY MOWER



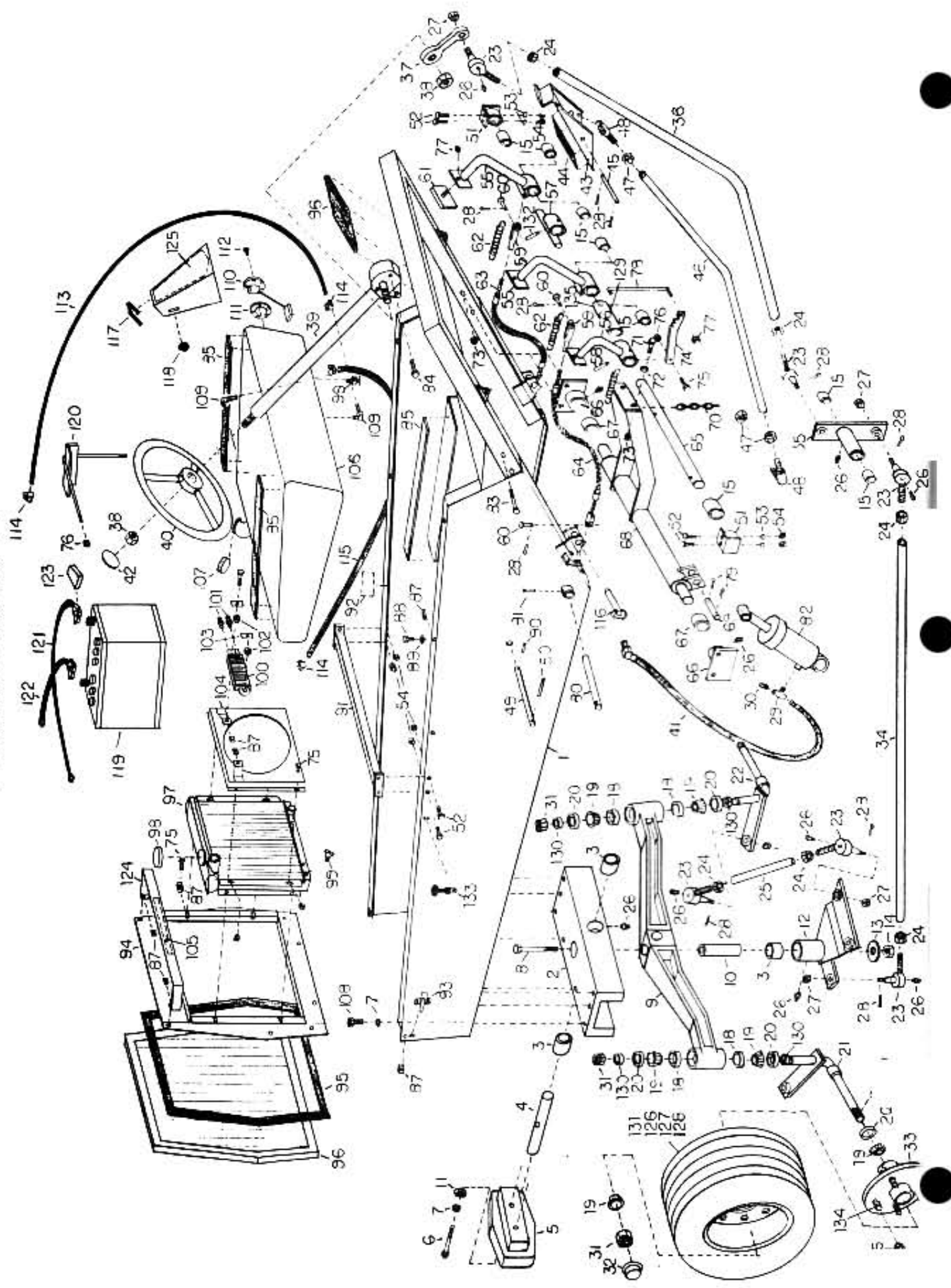
ELECTRICAL SCHEMATIC

DRIVE TRAIN ASS'Y.



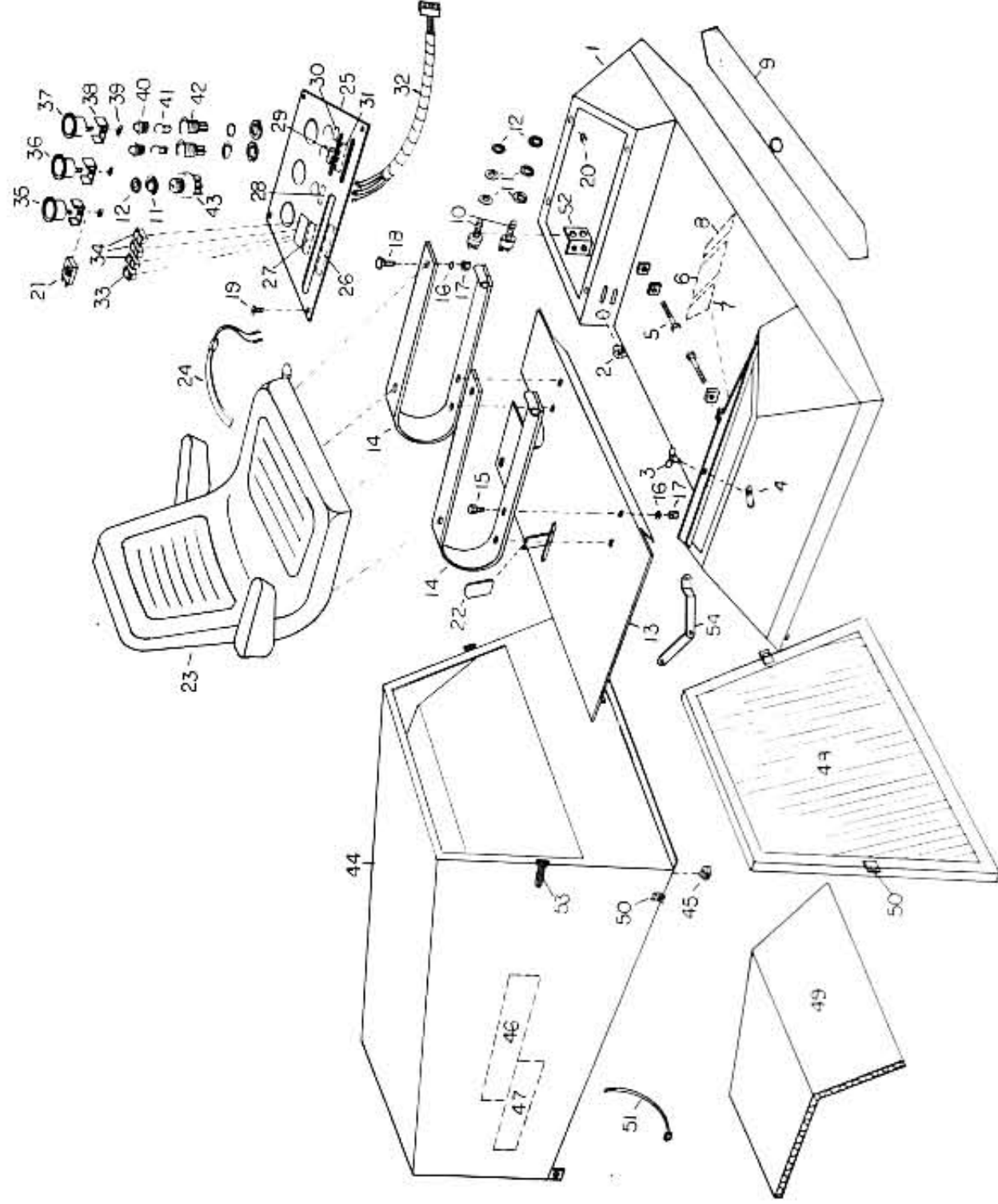
Item Number	Req'd.	No.	Description	Item Number	Req'd.	No.	Description	Item Number	Req'd.	No.	Description
1	04-135	1	Engine	47	1112	2	Locknut - 3/8-16	93	05-038	1	Throttle Rod Swivel
2	124550-55700	1	Fuel Filter Element	48	5018	1	Neutral Safety Switch	94	05-039	1	Retaining Ring
3	121256-12510	1	Air Cleaner Element	49	1764	2	Lockwasher - 5/8"	95	05-028	1	PTO Brake Assy
4	03-701	1	Bushing	50	1765	1	Hex Nut - 5/8"	96	05-029A	1	Upper Belt Guide
5	02-131	1	Water Temp Sender	51	05-018A	1	Transmission Lever	97	4114	1	PTO Brake Spring
6	03-702	1	Injection Pump Inlet Fitting	52	1131	1	Roll Pin - 1/4 x 1"	98	1031	2	Bolt
7	03-703	1	Nipple	53	5013	1	Spring	99	05-030A	1	PTO Shaft Housing
8	03-704	1	Fuel Shutoff Valve	54	05-019	2	Roller	100	4173	2	Bushing
9	5259	2	Hose Fitting - 90°	55	04-134	2	Bushing	101	05-095	2	Insert - PTO Pivot
10	03-705	1	Valve/Separator Hose - 22"	56	1767	1	Bolt	102	04-118A	2	PTO Shaft Bearing
11	03-707	1	Fuel Pump/Separator Hose - 15-1/2"	57	1600	3	Coller Pin	103	04-117	1	PTO Pulley
12	121450-13200	1	Exhaust Flange Gasket	58	05-020	1	Neutral Strap	104	3484	1	PTO Bell
13	121454-13490	1	Muffler	59	04-129	2	Bushing	105	05-132	1	PTO Spring
14	121454-13650	1	Tail Pipe	60	1766	1	Bolt	106	05-031	1	PTO Shall
15	22217-080000	4	Lockwasher 8mm	61	05-021	4	Spacer	107	1310	1	Key
16	26716-080002	4	Bolt - M8	62	1202	4	Lockwasher - 3/8	108	1311	1	Key
17	05-014	4	Engine Mount Bracket	63	1031	2	Bolt	109	1133	1	Roll Pin 5/16" x 1 1/8"
18	04-036	4	Motor Mount	64	05-116	1	Drive Gear	110	04-119A	1	Drive Shaft Female
19	26116-120302	12	Bolt - 12mm 175mm Pitch	65	6031	1	Retaining Ring	111	4146	1	U-Joint Repair Kit
20	22217-120000	12	Lockwasher - 12mm	66	05-001	1	Transaxle	112	05-032	1	PTO Belcrank
21	1740	8	Locknut - 3/8 - 24	67	03-685	1	Fitting - 45°	113	05-033	1	Spacer
22	05-118	1	Upper Radiator Hose	68	1040	4	Bolt	114	1033	2	Bolt - 1/2 x 1-1/2"
23	05-120	4	Hose Clamp	69	1112	5	Locknut - 3/8 - 16	115	1222	2	Flatwasher - 3/8"
24	05-119	1	Lower Radiator Hose	70	05-022	1	Cyl Mount Pin	116	1778	2	Machine Screw - 10-32 x 1"
25	04-116	1	Drive Pulley	71	1609	2	Coller Pin	117	1223	1	Flatwasher - 1/2"
26	5005C	2	Coupling Disc	72	03-098	1	Elbow - 90°	118	5164	2	Clevis
27	05-016	1	Coupling Shaft	73	03-691	1	Nipple - 1/2 x 3-1/2"	119	5160	2	Clevis Pin
28	05-133	1	Trans. Coupling Adaptor	74	03-686	1	Nipple - 1/2 x 11-1/2"	120	05-035	1	PTO Linkage Rod
29	1066	1	Bolt	75	05-023	1	Dipstick	122	05-036	1	PTO Lever
30	1763	4	Bolt	76	04-142	10	Lugnut	123	05-121	1	PTO Handle Grip
31	05-111	1	Stabilizer BRKT.	77	05-004	2	Wheel Assy	124	1737	2	Bolt
32	1221	4	Flatwasher - 5/16"	78	03-661A	1	Lift Valve	125	05-037	1	PTO Lock Lever
33	1115	4	Locknut - 5/16 - 24 SAE	79	1222	2	Flatwasher - 3/8"	126	02-103	1	Chassis Wiring Harness
34	6602	1	Key	80	03-076	1	Fitting - 6400 x 6	127	05-005	-	Drive Wheel
35	03-659	1	Transmission	81	03-665	1	Tube	128	05-006	-	Drive Tire
36	03-708	4	O-Ring	82	03-692	1	Fitting - 90° 6801 x 8 x 6	129	05-007	-	Drive Tire Repair Tube
37	03-708	1	Fitting 90° 6801 x 8 x 6	83	03-683A	1	Tube	130	03-235	1	1/8" Ring
38	03-663	1	Fitting 90° 6801 x 6 x 6	84	03-666A	1	Lift Valve Lever	131	05-077	1	PTO Rod Retainer
39	03-129	1	O-Ring	85	05-024	1	Lift Valve Linkage Rod	132	03-286	1	Fuel/Water Separator
40	03-696	1	Fitting 90° 6801 x 12 x 10	86	05-025A	1	Throttle Lever	133	03-287	-	Separator Element
41	03-668	1	Tube	87	05-026	1	Friction Pad	134	03-229	2	Fitting 90°
42	6033	1	Filter Cartridge	88	5033	1	Spring	135	05-100	1	Separator Bracket
43	1032	2	Bolt	89	5034	1	Locknut - 10-32	136	05-140	1	Filter/Fuel Pump Hose - 16"
44	05-017	1	Neutral Adj. Plate	90	1117	4	Handle Grip	137	05-085	1	Oil Filter Element
45	1014	3	Bolt - 1/4	91	05-143	2	Throttle Linkage Rod	138	02-138	1	Oil Pres. Sw.
46	1036	2	Bolt - 3/8-16 x 2-1/4"	92	05-027	1		139	121400-44740	1	Fan

FRAME ASS'Y.



Item	Number	Req'd.	Description	Item	Number	Req'd.	Description	Item	Number	Req'd.	Description
1	05-000	1	Frame	46	05-051A	1	Traction Linkage	91	05-062	1	Frame Brace
2	05-128	1	Rear Yoke	47	1108	4	Half Nut - 9/16 - 18	92	00-044	1	Decal - "Desert Fuel"
3	4121	4	Bushing	48	04-146	2	Ball Joint	93	05-136	2	Toggle Latch
4	05-040	1	Pivot Pin	49	05-149	1	Bypass Valve Ext.	94	05-063A	1	Radiator Mount Bracket
5	05-130	1	Rear Weight	50	1130	1	Roll Pin 3/16 x 1 1/2"	95	00-080	7	Weatherstrip
6	1035	2	Bolt - 3/8 - 16 x 2"	51	05-052	2	Brake Shaft Bracket	96	05-064	1	Rear Screen
7	1202	10	Lock Washer	52	1020	8	Bolt - 5/16 - 18 x 3/4	97	05-117	1	Radiator
8	1762	1	Bolt - 1/2 - 13 x 6-1/2"	53	1201	8	Lockwasher	98	06-024	1	Radiator Cap
9	05-151	1	Rear Axle	54	1102	8	Hex Nut	99	03-135	2	Petcock
10	05-041	1	Belcrank Pivot Pin	55	05-053	2	Single Brake Lever	100	03-810	1	Oil Cooler
11	1769	2	Flatwasher	56	05-152	1	Dual Brake Lever	101	03-246	1	Fitting
12	05-042	1	Steering Belcrank	57	05-055	1	Dual Brake Tie Bar	102	05-013	2	Grommet
13	1223	1	Flatwasher	58	1132	2	Roll Pin - 1/4 x 1-1/4	103	05-087	2	Clamp Plate
14	1770	1	Slotted Nut	59	5039	2	Clevis	104	05-065	1	Fin Shroud
15	4122	8	Bushing	60	5160	4	Clevis Pin	105	00-036	1	Decal - "Rotating Blade"
16	05-148	10	Lug Nut	61	5276	3	Brake Pedal Pad	106	05-124	1	Fuel Tank
17	05-084	2	Hood Latch	62	4114	3	Spring	107	05-066	1	Fuel Tank Cap
18	04-007	4	Bearing Cup	63	05-113	1	Brake Cable - Short	108	1719	8	Bolt - 3/8 - 16 x 3/4
19	04-165	4	Bearing Cone	64	05-112	1	Brake Cable - Long	109	5259	2	Fitting - 90°
20	04-006	5	Seal	65	05-056	1	Brake Shaft	110	05-067	1	Fuel Level Sender
21	05-109	1	Spindle - Right	66	05-057	2	Lift Bar Mounting Bracket	111	05-068	1	Gasket
22	05-108	1	Spindle - Left	67	04-123	2	Bearing	112	1777	1	Screw
23	04-120	8	Ball Joint	68	05-058A	1	Lift Bar Assy	113	05-139	1	Hose - Fuel Tank/Filter
24	1772	8	Half Nut - 5/8 - 16	69	05-022	1	Lift Cyl. Pin	114	04-082	8	Hose Clamp
25	05-045	2	Tie Rod	70	05-142A	2	Lift Chain	115	05-141	1	Hose - Engine/Tank Return
26	1500	16	Grease Fitting	71	1032	2	Bolt	116	1236	2	Push Arm Pin
27	1773	8	Slotted Nut	72	1222	2	Flatwasher	117	04-059	7	Trim Molding
28	1600	11	Cotter Pin	73	1112	6	Lock Nut	118	05-127	1	Knob - Brake Latch
29	03-775	1	Fitting	74	05-153	1	Brake Latch Bar	119	5037	1	Battery
30	1302	1	Plug 1/4"	75	1000	11	Bolt - 1/4-20 x 3/4	120	05-070	1	Battery Holddown Bracket
31	1701	2	1-14 Slotted Hex Nut	76	1110	5	Locknut - 1/4"	121	02-070	1	Battery Cable - Pos
32	04-113	2	Hub Cap	77	1775	1	Locknut - 10-32	122	02-071	1	Battery Cable - Ground
33	05-144	2	Wheel Hub	78	05-060	1	Brake Latch Linkage Rod	123	5132	1	Battery Cable Boot
34	05-046	1	Rear Steering Linkage	79	1608	4	Cotter Pin	124	05-150	1	Radiator Duct
35	05-047	1	Steering Pivot	80	05-061	1	Steering Pivot Pin	125	00-033	1	Decal - "Logo"
36	05-048	1	Front Steering Linkage	81	1131	1	Roll Pin - 1/4 x 1	126	05-147	1	Rear Wheel
37	05-115	1	Steering Gearbox Lever	82	03-667	1	Cylinder	127	05-010	1	Rear Tire
38	1123	2	Hex Nut - 5/8 - 18	83	1026	4	Bolt	128	05-011	1	Rear Tube Repair Ruber
39	05-114	1	Steering Column/Gearbox	84	1741	2	Bolt	129	05-078	1	Brake Shaft Spacer
40	05-125	1	Steering Wheel	85	00-083	6	Weatherstrip	130	05-154	4	Steering Spindle Spacer
41	03-794	1	Hose - Lift Valve/Cylinder	86	00-047	1	Anti-Skid, Floor	131	05-145	1	Rear Wheel/Tire Assy
42	05-144	1	Wheel Cover	87	1732	18	"U" Nut	132	1132	2	Roll Pin - 1/4 x 1-1/2
43	05-049	1	Traction Pedal	88	1003	4	Bolt	133	05-084	2	Lug Bolts
44	00-052	1	Non-Skid, Pedal	89	1220	4	Flatwasher	134	04-009	10	Lug Bolts
45	05-050	1	Pedal Pin	90	1135	1	Roll Pin 3/16 x 1 1/4"	135	05-159	1	Brake Lever Spacer

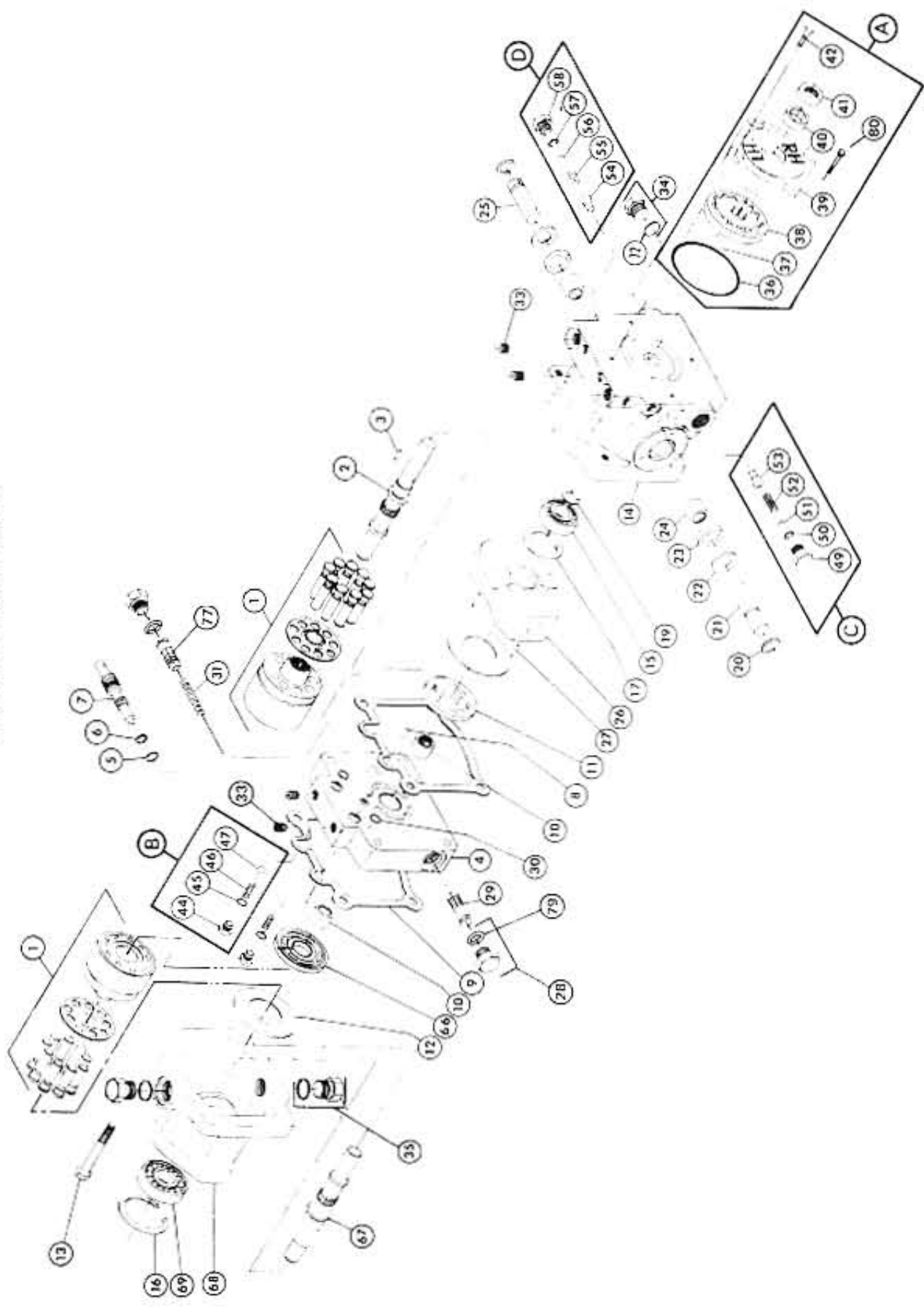
COVERS



Item	Number	No. Req'd.	Description	Item	Number	No. Req'd.	Description
1	05-071	1	Cowling	28	00-042	1	Decal - Ignition Switch
2	04-126	1	Bushing	29	00-041	1	Decal - Oil Pressure
3	04-050A	1	Knob	30	00-043	1	Decal - Alternator
4	04-050B	1	Latch	31	00-038	1	Decal - Throttle/Lift Valve
5	1029	2	Bolt - 5/16 - 18 x 3-1/2"	32	02-104	1	Wiring Harness - Inst./Panel
6	7005	1	Decal - Operating Instructions	33	02-072	1	Switch - Momentary Contact
7	00-045	1	Decal - Parking Brake	34	02-073	3	Switch - Maintained Contact
8	00-046	1	Decal - Traction Pedal	35	5122	1	Hour Meter
9	00-051	1	Anti-Skid - Floor	36	02-052	1	Water Temp. Gage
10	5018	2	Safety Switch - N.O.	37	02-054	1	Fuel Level Gage
11	1764	5	Lockwasher	38	02-055	3	Gage Mounting Bracket
12	1765	3	Hex Nut	39	1775	3	Locknut
13	05-072A	1	Trans. Access Cover	40	02-026	2	Red Lens
14	05-082	2	Seat Spring	41	02-025	2	Bulb
15	1021	4	Bolt - 5/16 - 18 x 1"	42	02-024	2	Light Socket
16	1201	8	Lockwasher - 5/16"	43	02-074A	1	Ignition Switch
17	1102	8	Hex Nut - 5/16 - 18	44	05-074A	1	Hood
18	1776	4	Bolt - 5/16 - 18 x 1" Carriage	45	05-138	2	Rubber Bumper
19	1748	4	Machine Screw	46	00-035	2	Decal - Turf Blazer
20	1732	4	"U" Nut	47	00-034A	2	Decal - 727 Diesel
21	02-117	1	Buzzer	48	05-156	1	Screen - Front
22	05-143	1	Handle Grip	49	05-157	1	Insulation - Sides
23	05-122	1	Seat	50	05-137	1	Striker
24	5219	1	Seat Safety Switch	51	05-080	2	Hood Restraint
25	05-073	1	Instrument Panel	52	05-155	1	Safety Switch Brkt.
26	00-039	1	Decal - "PTO"	53	05-084	2	Latch
27	00-040	1	Decal - Switches	54	05-094	1	Access Cover Brace

TRANSMISSION

COMPLETE ASS'Y 03-659



Item	Number	No. Req'd.	Description	Item	Number	No. Req'd.	Description
1	6600	2	Cyl. Block Kit	37	6633	1	Straight Pin
2	6601	1	Pump Shaft	38	6634	1	Gerotor Assy
3	6602	1	Woodruff Key	39	6635	1	Chg Pump Housing
4	6603	1	Center Section	40	6636	1	Needle Bearing
5	6604	1	O Ring	41	6637	1	Lip Seal
6	6605	1	Ring	42	6638	2	Bolt
7	6606	1	Bypass Valve	44	6639	2	Chk Valve Plug
8	6607	2	Straight Pin	45	6640	2	O Ring
9	6608	2	Gasket	46	6641	2	Chk Valve Spring
10	6609	2	Roller Bearing	47	6642	2	Ball
11	6610	1	Pump Valve Plate	49	6643	1	Plug
12	6611	2	Thrust Plate	50	6644	1	O Ring
13	6612	4	Bolt	51	6645	2	Shim Pack
14	6613	1	Pump Housing	52	6646	1	Chk Rel Val Spring
15	6614	1	Ball Bearing	53	6647	1	Chk Rel Val Cone
16	6615	1	Retaining Ring	54	6648	1	Imp Rel Val Cone
17	6616	1	Retaining Ring	55	6649	1	Imp Rel Val Spring
19	6617	1	Retaining Ring	56	6650	2	Shim Pack
20	6618	2	Retaining Ring	57	6651	1	O Ring
21	6623	1	Trunion Shaft	58	6652	1	Plug
22	6620	2	Washer	66	6653	1	Motor Valve Plate
23	6621	2	Lip Seal	67	6654	1	Motor Shaft - Splined
24	6622	2	Needle Bearing	68	6655	1	Motor Housing
25	6619	1	Trunion Shaft	69	6656	1	Ball Bearing
26	6624	1	Swashplate	72	6657	1	O Ring
27	6625	3	Spring Pin	77	6658	1	Accel Valve
28	6626	2	Plug	79	6659	2	O Ring
29	6627	1	Accel Valve	80	1019	2	Bolt
30	6628	2	O Ring	A	6089	-	Kit - Chg. Pump
31	6629	1	Accel Spring	B	6088	-	Kit - Chk. Valve
33	6630	6	Pipe Plug	C	6128	-	Kit - Relief Valve
34	6631	1	Plug	D	6129	-	Kit - Relief Valve
35	03-790	2	Fitting				
36	6632	1	O Ring				

TRANSAXLE

COMPLETE ASS'Y 05-001

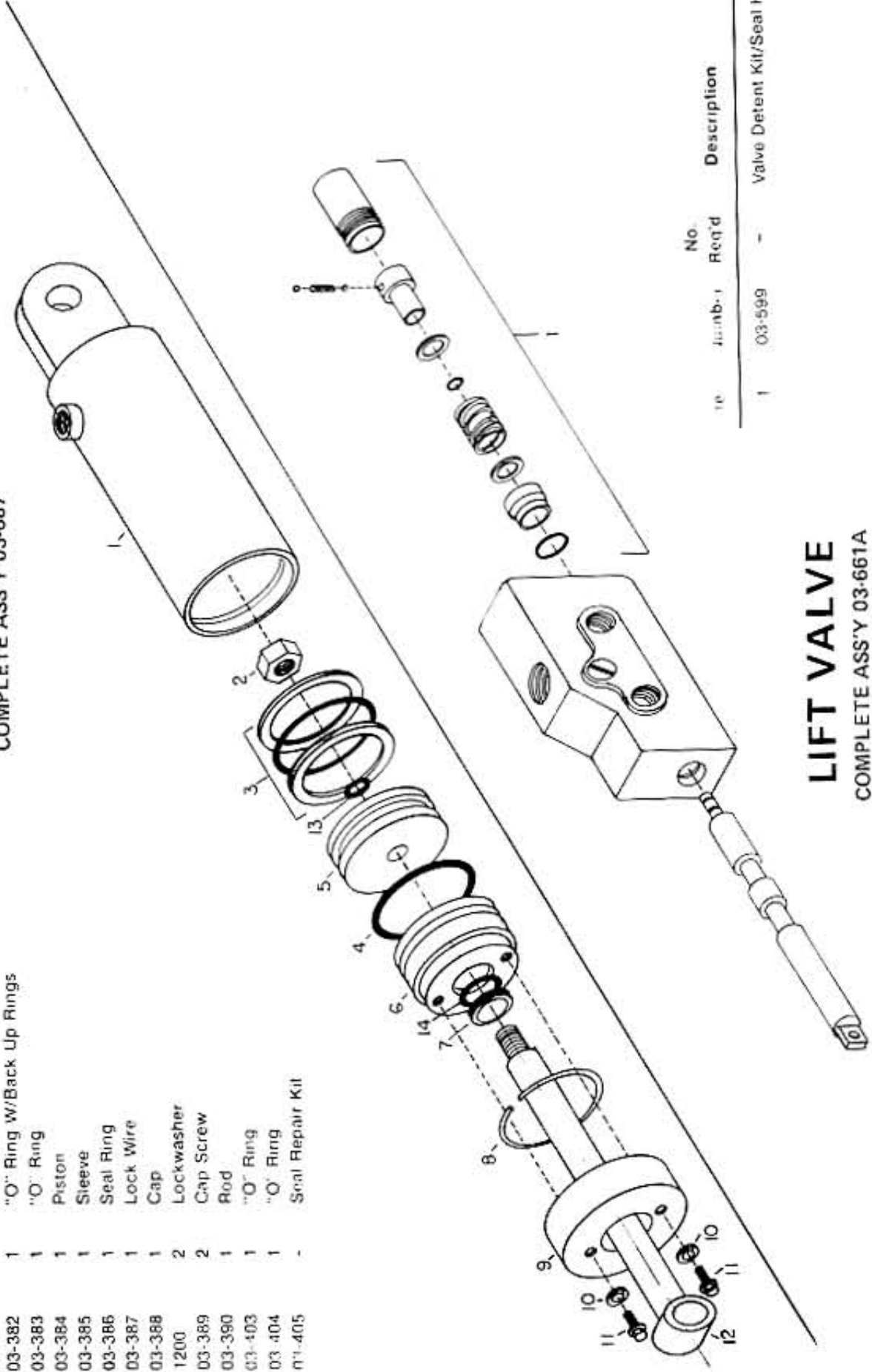


Item	Number	No. Req'd.	Description	Item	Number	No. Req'd.	Description
1	6553	1	Upper Housing	28	6113	2	Gear
2	6101	1	Lower Housing & Tube Assembly	29	6039	2	Thrust Washer
3	6029	1	Plug	30	6067	4	Bolt
4	6554	1	Retain Ring	31	6020	1	Gasket
5	6555	1	Shim Washer	32	6021	2	Pin
6	6556	1	Bearing Cone	33	1102	8	Hex Nut
7	6105	1	Bearing Cup	34	1201	8	Lockwasher
8	6050	1	Spacer	35	6019	1	Vent Tube Assembly
9	6557	Set	Shim	36	6008	2	Seal
10	6558	1	Bearing Cup	37	6114	2	Bearing Retainer
11	6559	1	Bearing Cone	38	6007	2	Bearing Set
12	6560	1	Pinion/Gear Assembly	39	6083	8	Bolt
13	6110	1	Spur Gear	40	6084	8	Locknut
14	6020A	1	Gasket	41	6115	2	Dust Cover
15	6066	1	Cover	41	6116	2	Brake Mounting Plate
16	6069	8	Bolt	43	6117	4	Brake Shoe
17	1023	8	Bolt	44	6118	2	Spring - Right
18	6068	2	Cap	45	6119	2	Spring - Left
19	6037	1	Differential	46	6120	2	Spring - Lower
20	6043	1	Pin	47	6121	2	Star Wheel
21	6036	10	Bolt	48	6122	2	Adj. Tube
22	6036	Set	Shim	49	6122	2	Tube
23	6111	2	Bearing Cone	50	6124	2	Seal Plate
24	6112	2	Bearing Cup	51	6125	2	Axle
25	6065	1	Shaft	52	6070	10	Lug Bolt
26	6041	2	Thrust Washer	53	6126	2	Brake Lever Assembly
27	6042	2	Gear	54	6127	4	Lever Ret. Clip

LIFT CYLINDER

COMPLETE ASS'Y 03-667

Item	Number	No. Req'd.	Description
1	03-380	1	Cylinder Body
2	03-381	1	Locknut
3	03-382	1	"O" Ring W/Back Up Rings
4	03-383	1	"O" Ring
5	03-384	1	Piston
6	03-385	1	Sleeve
7	03-386	1	Seal Ring
8	03-387	1	Lock Wire
9	03-388	1	Cap
10	1200	2	Lockwasher
11	03-389	2	Cap Screw
12	03-390	1	Rod
13	03-403	1	"O" Ring
14	03-404	1	"O" Ring
15	01-405	-	Seal Repair Kit



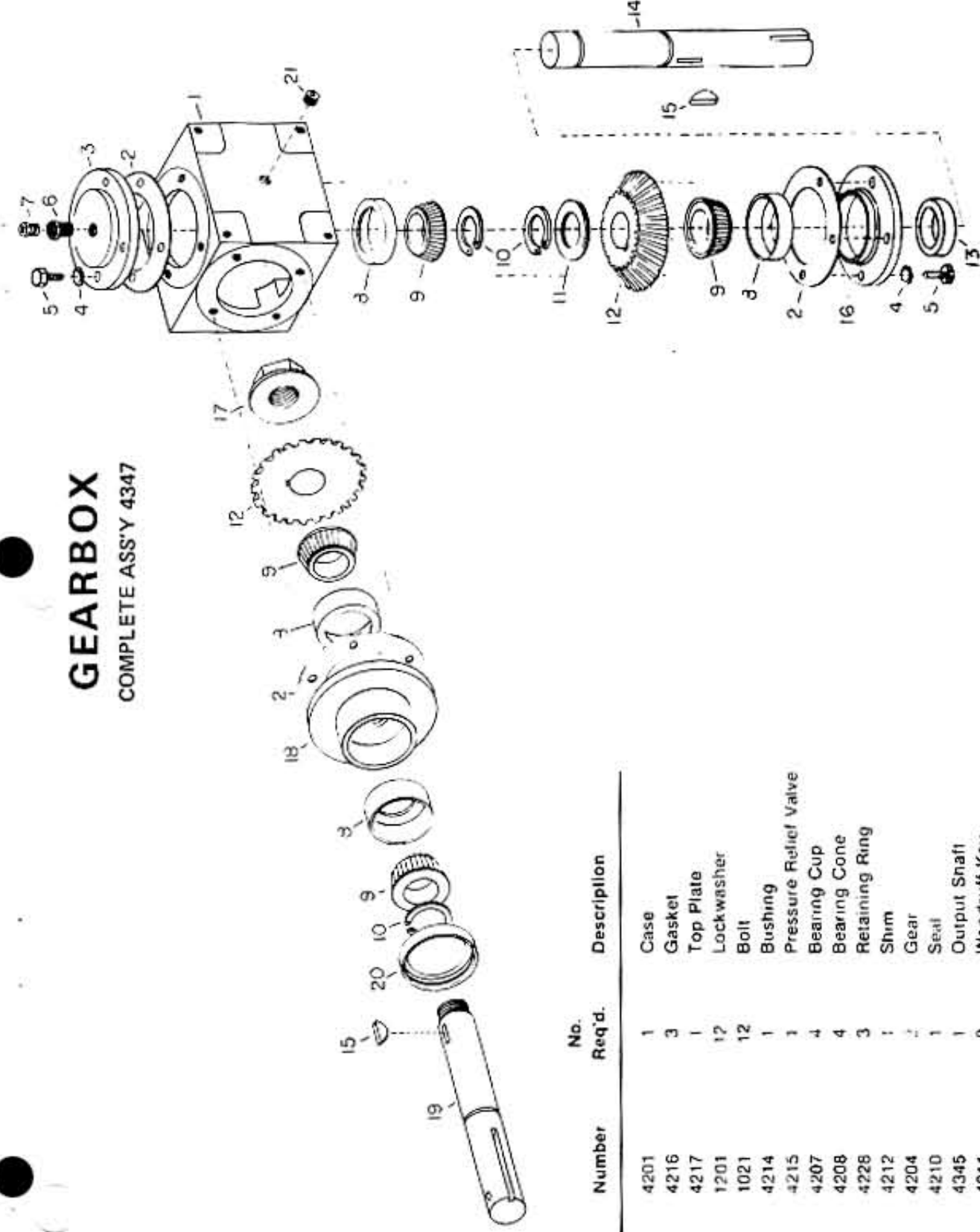
LIFT VALVE

COMPLETE ASS'Y 03-661A

Item	Number	No. Req'd.	Description
1	03-599	-	Valve Detent Kit/Seal Kit

GEARBOX

COMPLETE ASS'Y 4347



Item	Number	No. Req'd.	Description
1	4201	1	Case
2	4216	3	Gasket
3	4217	1	Top Plate
4	1201	12	Lockwasher
5	1021	12	Bolt
6	4214	1	Bushing
7	4215	1	Pressure Relief Valve
8	4207	4	Bearing Cup
9	4208	4	Bearing Cone
10	4228	3	Retaining Ring
11	4212	1	Shim
12	4204	-	Gear
13	4210	1	Seal
14	4345	1	Output Shaft
15	4211	2	Woodruff Key
16	4202	1	Bottom Plate
17	4263	1	Adjusting Nut
18	4203	1	Side Plate
19	4262	1	Input Shaft
20	4209	1	Seal
21	4213	3	Plug

