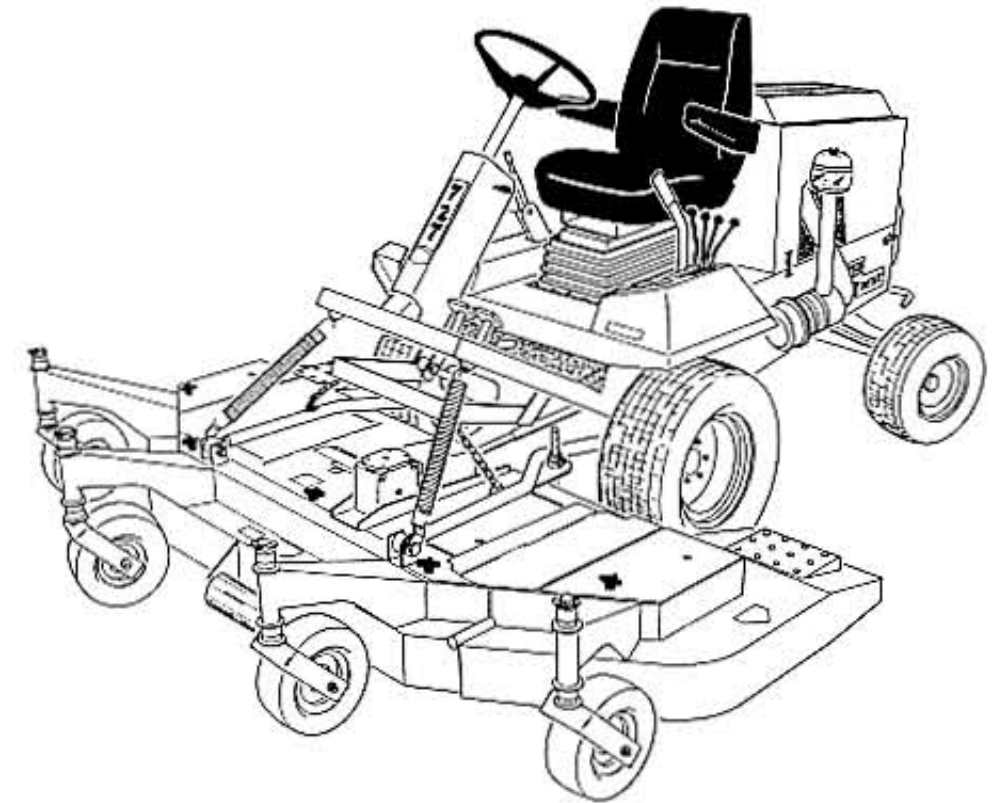




18155 Edison Avenue • Chesterfield, Missouri 63005

TURF BLAZER 727



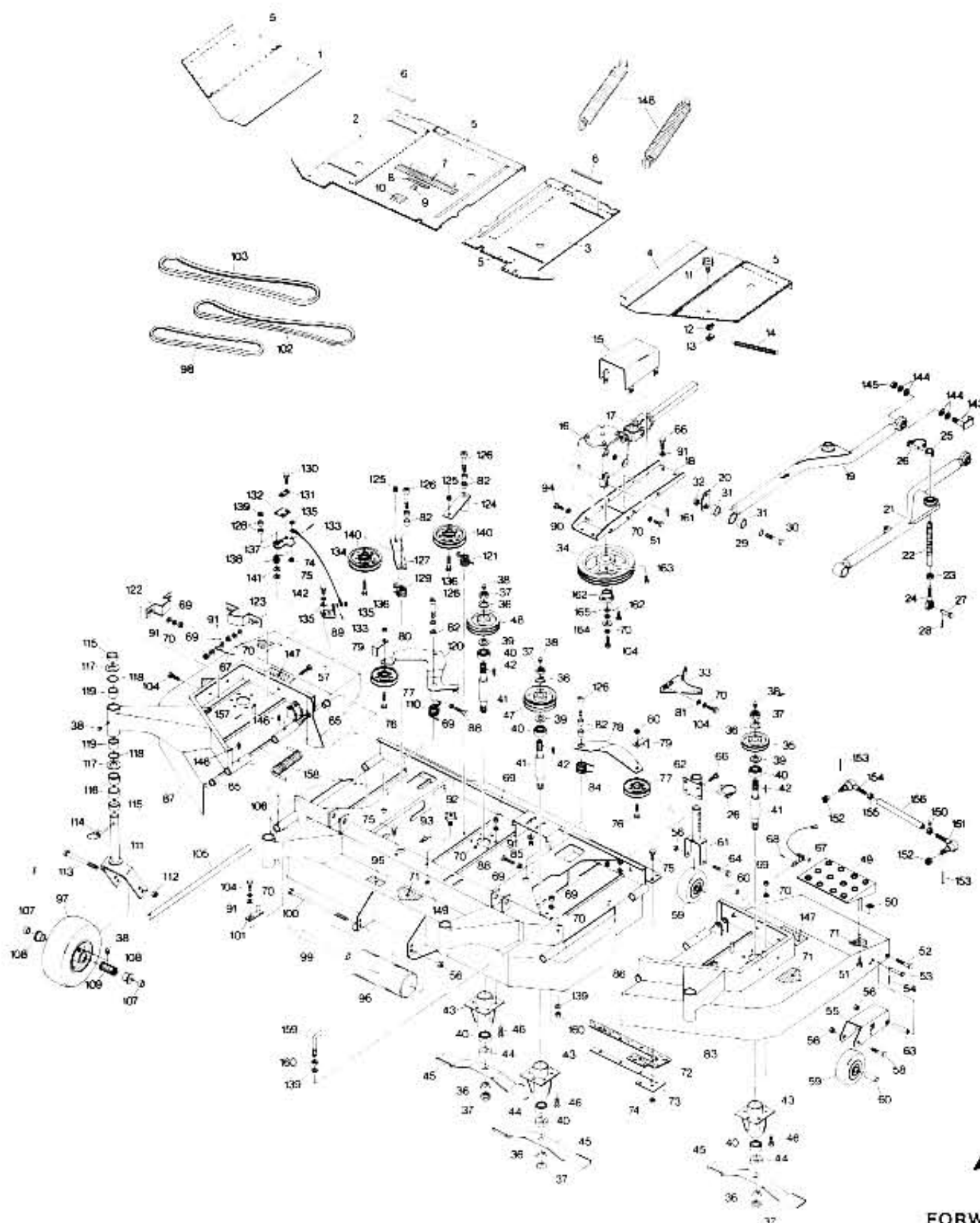
91" ROTARY ATTACHMENT PARTS MANUAL

Model: CD91

INDEX

CUTTING UNIT ASSEMBLY	1
CUTTING UNIT ASSEMBLY (Cont'd)	3
FENDER EXTENSIONS / RUBBER DEFLECTOR PLATE ASSEMBLY.....	5
HYDRAULIC CIRCUIT - DECK LIFT	7
GEARBOX ASSEMBLY	9
WING LIFT CYLINDER ASSEMBLY	10

CUTTING UNIT ASSEMBLY



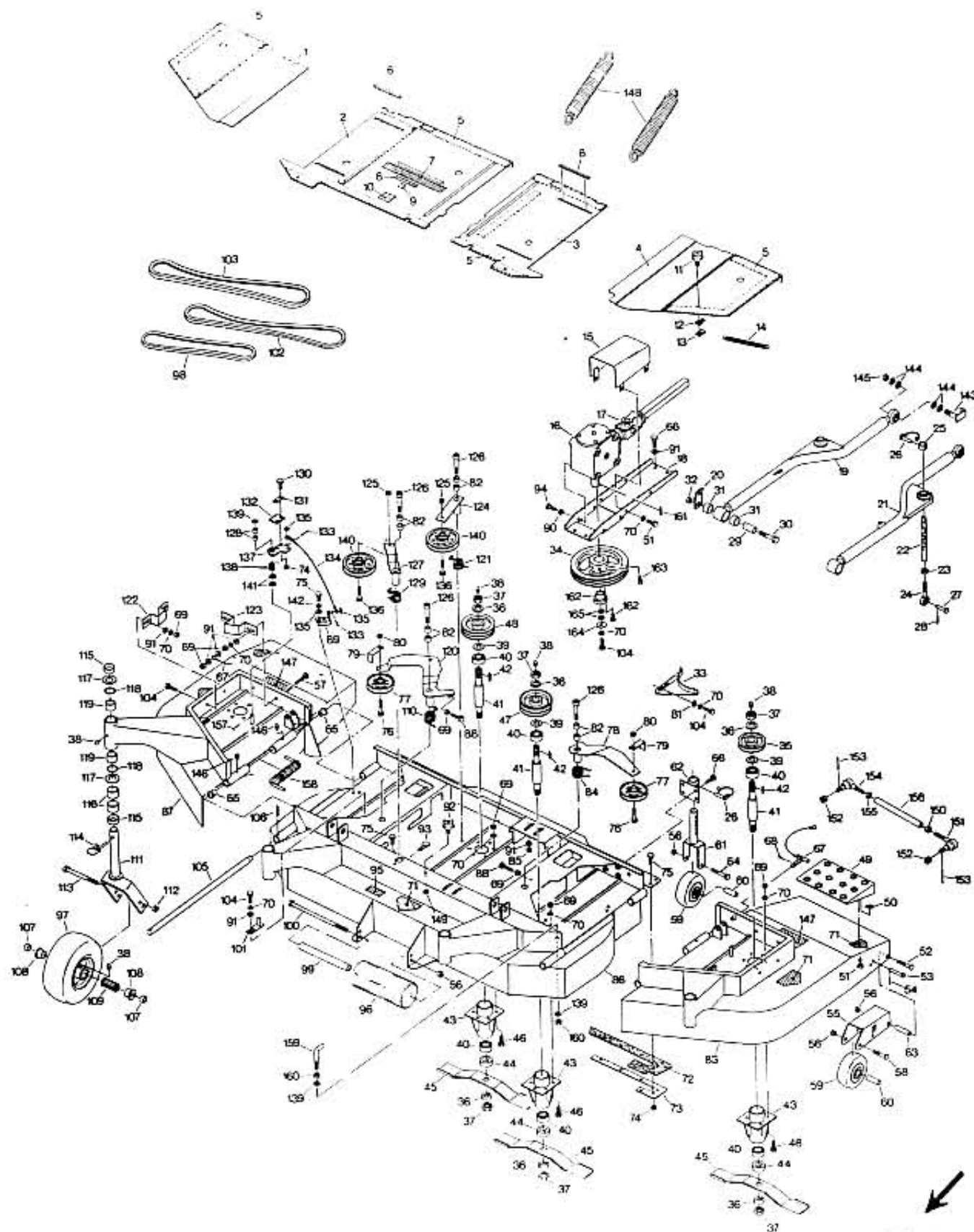
FORWARD

Item	Part #	Qty.	Description
1	07-392	1	Deck Cover - Right Wing
2	07-390	1	Deck Cover - Center Right
	07-391	1	Deck Cover - Center Left
4	07-393	1	Deck Cover - Left Wing
5	00-083	1	Weatherstrip 1/8" x 1" (185")
6	08-421	1	Edge Trim (36")
7	7039	1	Decal "Turf Blazer"
8	7003	1	Decal "Commercial"
9	00-637	1	Decal "91"
10	7018	1	Decal "OSHA Guards"
11	07-315	4	Knob - Deck Hood
12	2026	4	Retaining Clip
13	2015	4	"U" Nut 5/16" - 18
14	07-495	2	Spring - Deck Hood
15	07-490	1	Cover Assembly - "U" Joint
16	08-330	1	Gearbox
17	04-473	1	PTO Shaft Assy. - Male
	04-119A	1	PTO Shaft Assy. - Female
18	07-775	1	Mount Bracket - Gearbox
19	07-399	1	Pusharm (R.H.)
20	05-550	2	Spring Tab
21	07-487	1	Pusharm (L.H.)
22	07-364	2	Hanger Rod - Deck Height
23	1979	2	Jam Hex Nut 1/2" - 20
24	05-488	2	Rod End - 1/2"
25	07-365	2	Hub - Deck Hanger Rod
26	07-499	4	Lock Pin 3/8" x 1 3/8"
27	07-792	2	Clevis Pin 1/2" x 1 3/4"
28	2227	2	Rue Ring Cotter - 1/2"
29	07-368	2	Pivot Bushing
30	1940	2	Bolt 3/4" - 10 x 3 1/2"
31	04-464	4	Bushings
32	1114	2	Locknut 3/4" - 10
33	07-380	1	Belt Retainer Assembly
34	04-470	1	Pulley - Gearbox
35	04-443	2	Pulley - Wing Deck Spindle
36	1207	10	Lockwasher - 1"
37	1731	10	Jam Nut 1" - 14
38	1500	13	Grease Fitting
39	1233	5	Machine Bushing
40	04-105A	10	Bearing - Blade Shaft
41	07-414	5	Blade Shaft
42	1310	5	Key 1/4" x 1"
43	07-413	5	Hub - Blade Shaft
44	07-006B	5	Blade Adaptor
45	07-383	5	Blade
46	2169	30	Bolt 5/16" - 18 x 1" Gr 8
47	04-444	2	Pulley - Center Deck to Wing
48	04-445	1	Pulley - Center Deck Center Spindle
49	07-791	2	Step
50	2223	4	Cage Nut 5/16" - 18
51	1894	8	Bolt 5/16" - 18 x 12"

Item	Part #	Qty.	Description
52	2215	2	Carriage Bolt 1/2" - 13 x 4 1/2"
53	07-491	2	Clevis Pin 3/8" x 4"
54	2232	2	Rue Ring Cotter - 3/8"
55	07-375	2	Yoke Assy - Wing Deck Anti Scalp Roller
56	1747	7	Locknut 1/2" - 13
57	1022	2	Bolt 5/16" - 18 x 1-1/4"
58	2214	2	Carriage Bolt 1/2" - 13 x 3 1/2"
59	07-497	4	Wheel - Anti Scalp
60	07-498	4	Axle Sleeve 1/2" x 3/4" x 2 3/8"
61	07-378	2	Yoke Assy - Center Deck Anti Scalp Roller
62	07-385	2	Mount Bracket - Rear Roller
63	07-381	2	Spacer - Anti Scalp Roller Pivot
64	1618	2	Bolt 1/2" - 13 x 3 1/2"
65	04-335	4	Bushing
66	1213	12	Bolt 5/16" - 18 x 1"
67	07-793	2	Pin - Wing Lock (3/8" Dia.)
	07-858	2	Pin - Wing Lock (1/2" Dia.)
68	07-794	2	Double Loop Hair Pin Cotter
69	1102	42	Hex Nut 5/16" - 18
70	1201	46	Lockwasher 5/16"
71	00-054	5	Decal "Danger Hands and Feet"
72	07-388	2	Rubber Flap
73	07-386	2	Retainer - Rubber Flap
74	1110	16	Locknut 1/4" - 20
75	1016	17	Bolt 1/4" - 20 x 1/2"
76	1822	2	Bolt 3/8" - 16 x 1 3/4"
77	07-370	2	Idler Pulley
78	07-360	1	Idler Arm Assembly (L.H.)
79	07-488	2	Belt Retainer - Idler Arm
80	1911	2	Locknut 3/8" - 16
81	2044	2	Flatwasher 5/16" SAE
82	07-788	8	Bushing
83	07-374	1	Wing Deck Assembly - (L.H.)
84	07-362	1	Torsion Spring - L.H. Idler
85	1111	4	Locknut 5/16" - 18
86	07-369	1	Center Deck Assembly
87	07-373	1	Wing Deck Assembly (R.H.)
88	2142	2	Bolt 5/16" - 18 x 2 1/2" Full Thread
89	07-382	1	Bracket - Right Wing Brake Disengage
	07-395	1	Bracket - Left Wing Brake Disengage
90	1202	4	Lockwasher 3/8"
91	1221	21	Flatwasher 5/16"
92	07-494	2	Deck Hood Knob
93	07-774	1	Plug Assy. - Front Center Frame
94	1957	4	Bolt 3/8" - 16 x 1"
95	00-057	1	Decal "Warning Blade Torque"
96	07-135	1	Roller
97	07-294	4	Caster Wheel
	07-295	1	Wheel Only (Includes Bearings)
	07-296	1	Tire Only

(CONTINUED ON PAGE 4)

CUTTING UNIT ASSEMBLY (Cont'd)



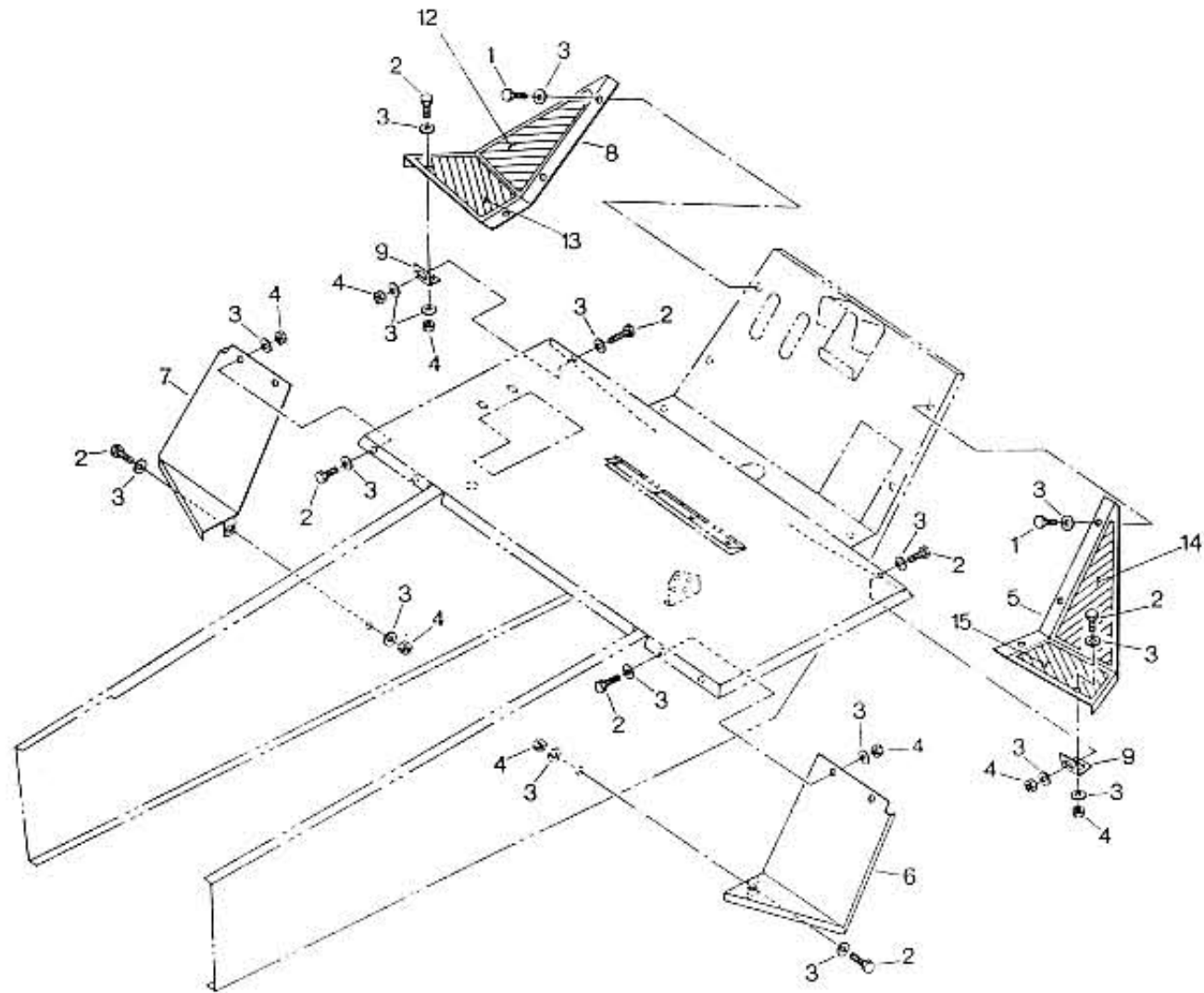
Item	Part #	Qty.	Description
(CONTINUED FROM PAGE 2)			
98	04-424	2	Deck Belt - Wing Deck
99	07-139	1	Shaft - Roller
100	2124	1	Bolt 1/2" - 13 x 11"
101	04-546	1	Belt Retainer
102	04-422	1	Deck Belt - Gearbox to R.H. Spindle
103	04-423	1	Deck Belt - Gearbox to L.H. Spindle
104	1020	10	Bolt 5/16" - 18 x 3/4"
105	07-396	1	Hinge Pin
106	1926	2	Roll Pin 1/4" x 1 1/4"
107	4341	8	Spacer
108	07-298	8	End Cap (Included w/ Bearing Kit)
109	07-298	4	Bearing Kit (1 Piece Bearing)
—	07-319	4	Bearing Kit (2 Piece Bearing)
110	07-361	1	Torsion Spring - R.H. Idler
111	07-308	4	Caster Yoke
112	1113	4	Locknut 5/8" - 11
113	1709	4	Bolt 5/8" - 11 x 6"
114	07-016	4	Clutch Pin 7/16" x 11/32"
115	07-001	8	Spacer - 1/2"
116	07-000	8	Spacer - 1"
117	1942	8	Flatwasher 1 1/4" SAE
118	03-171	8	"O" Ring
119	04-002	8	Bushing
120	07-359	1	Idler Arm Assembly (R.H.)
121	07-372	1	Torsion Spring - Center Deck L.H. Spindle
122	07-398	2	Belt Retainer - Outside
123	07-397	2	Belt Retainer - Rear
124	07-377	1	Idler Arm Assembly - L.H. Outside
125	1112	2	Locknut 3/8" - 16
126	2213	4	Shoulder Bolt 5/8" x 2 1/2"
127	07-376	1	Idler Arm Assy. - R.H. Outside
128	09-099	4	Bushing
129	07-371	1	Torsion Spring - Center Deck R.H. Spindle
130	1003	4	Bolt 1/4" - 20 x 1"
131	09-316	2	Tab - Brake Pad Retainer

Item	Part #	Qty.	Description
132	09-315	2	Brake Pad
133	1601	4	Cotter Pin 1/16" x 1/2"
134	07-785	2	Cable - Wing Brake
135	1056	8	Flatwasher 1/4" SAE
136	1957	2	Bolt 3/8" - 16 x 1"
137	07-384	1	Wing Brake - Right
—	07-394	1	Wing Brake - Left
138	07-492	2	Torsion Spring - Wing Deck
139	1223	4	Flatwashers - 1/2"
140	07-389	2	Idler Pulley
141	2228	4	Machine Bushing
142	1200	4	Lockwasher 1/4"
143	07-843	2	Pusharm Pin - Tractor Mounting
144	1235	8-10	Flatwasher - 3/4" SAE
145	1114	2	Locknut 3/4" - 10
146	09-091	4	Grease Fitting - Straight
147	00-641	2	Decal "Deck Height Reference"
148	04-131	2	Deck Spring - 10"
149	2107	2	Jam Locknut 5/16" - 18
150	1867	1	Jam Nut 9/16" - 18 (L.H. Thread)
151	04-253	1	Ball Joint - L.H.
152	1836	2	Castle Nut 3/8" - 24
153	1605	2	Cotter Pin 1/8" x 1"
154	04-243	1	Ball Joint - R.H.
155	1108	1	Jam Nut 9/16" - 18 (R.H. Thread)
156	07-846	1	Tie Rod - Pusharm Stabilizer
157	1600	2	Cotter Pin 3/32" x 1"
158	07-859*	2	Spring - Wing Torsion
159	07-850	1	Belt Retainer
160	1961	2	Hexnut 1/2" - 13
161	1602	1	Key 1/4" x 1 1/4"
162	08-271	1	Bushing - Taper Lock
163	1615	2	Square Head Bolt 5/16" - 18 x 1"
164	1229	1	Fender Washer 5/16"
165	1221	1-5	Flatwasher 5/16" SAE

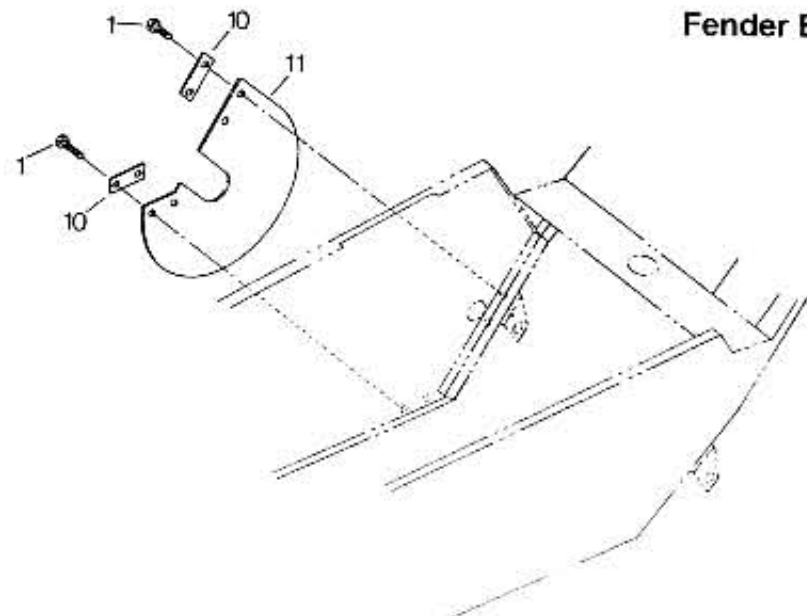
* For Units With Serial #'s
CD91-130 And Up

FORWARD

FENDER EXTENSIONS/RUBBER DEFLECTOR PLATE ASSEMBLY



Fender Extension Kit # 05-826

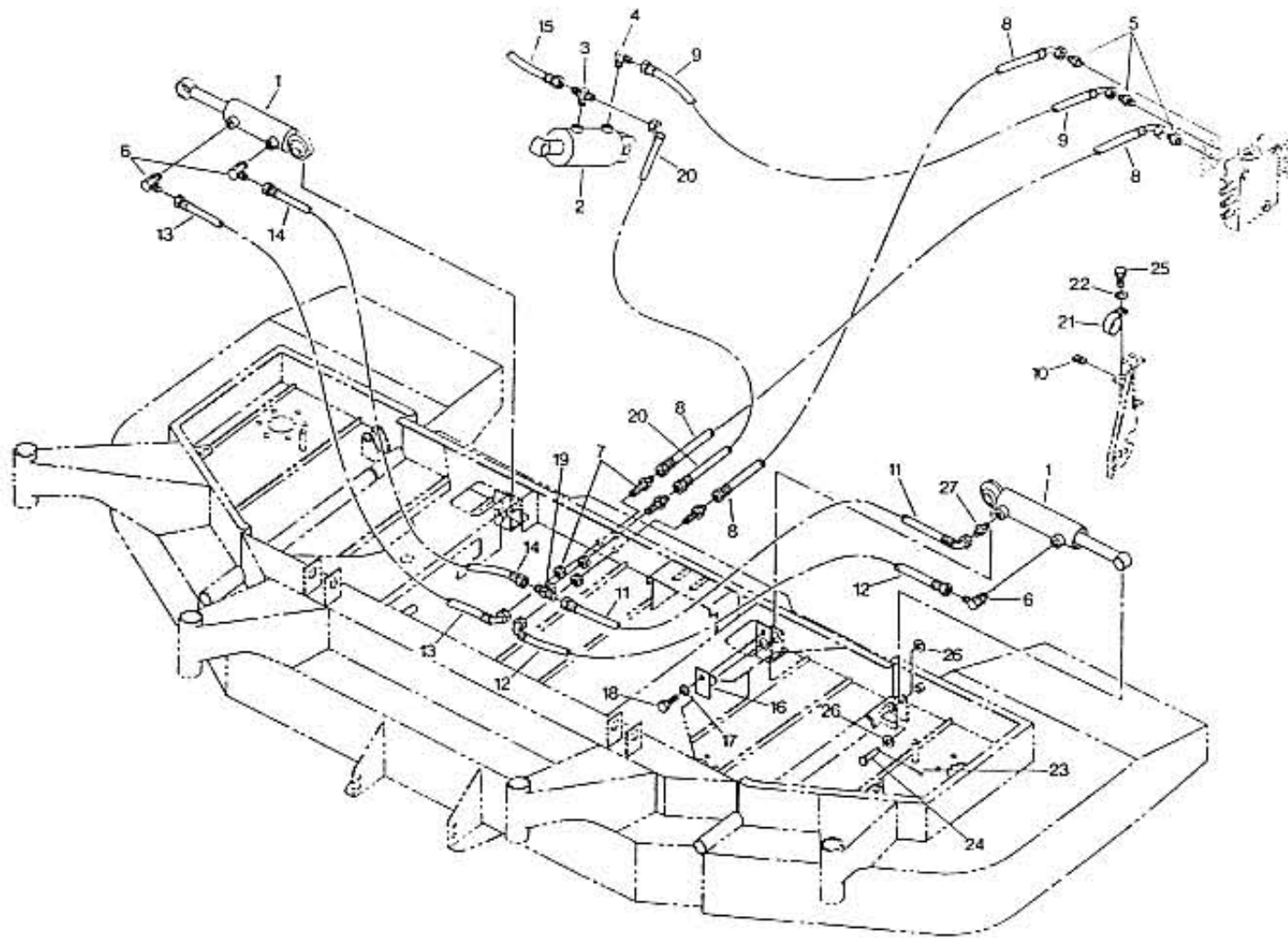


FORWARD

Item	Part #	Qty.	Description
1	1945	10	Bolt 1/4" - 20 x 3/4" Self Tapping
2	1000	10	Bolt 1/4" - 20 x 3/4"
3	1056	26	Flatwasher 1/4" SAE
4	1110	10	Locknut 1/4" - 20
5	05-812	1	Extension - Floor (R.H.)
6	05-404	1	Extension - Fender (R.H.)
7	05-405	1	Extension - Fender (L.H.)
8	05-813	1	Extension - Floor (L.H.)

Item	Part #	Qty.	Description
9	07-962	2	Mount Bracket - Floor Extension
10	07-855	2	Backing Plate
11	07-853	1	Deflector - Rubber
12	00-662	1	Anti Skid Decal - L.H. Floor Ext. Front
13	00-663	1	Anti Skid Decal - L.H. Floor Ext. Rear
14	00-660	1	Anti Skid Decal - R.H. Floor Ext. Front
15	00-661	1	Anti Skid Decal - R.H. Floor Ext. Rear

HYDRAULIC CIRCUIT - DECK LIFT



FORWARD

Item	Part #	Qty.	Description
1	13-944	2	Lift Cylinder - Wing Deck
-	13-953	-	Seal Kit For # 13-944
2	23-022*	1	Lift Cylinder - Front Deck
-	23-021	-	Seal Repair Kit For #23-022
-	03-962**	1	Lift Cylinder - Front Deck
-	03-963	-	Seal Repair Kit For #03-962
3	03-746	1	Fitting - Tee
4	03-780	1	Fitting - 90°
5	13-323	3	Fitting - Straight
6	13-678	3	Fitting - 90°
7	23-007	4	Fitting - Bulkhead
8	13-970	2	Hose Assy - Valve to Deck Raise Pressure
9	13-292	1	Hose Assy - Valve to Front Lift Cylinder
10	1732	1	"U" Nut 1/4" - 20
11	13-969	1	Hose Assy - Left Wing Drain
12	13-969	1	Hose Assy - Left Wing Up Pressure
13	13-967	1	Hose Assy - Right Wing Up Pressure
14	13-966	1	Hose Assy - Right Wing Drain
15	13-942	1	Hose Assy - Cyl. to Cooler Inlet (32HP)
-	13-904	1	Hose Assy - Cyl. to Cooler Inlet (40HP)
16	07-379	1	Cylinder Mount Pin
17	1201	2	Lockwasher 5/16"
18	1020	2	Bolt 5/16" - 18 x 3/4

* For Units With Serial #'s :

32D79 - 0128 and up
G79 - 0101 and up
4D79 - 0117 and up

** For Units With Serial #'s :

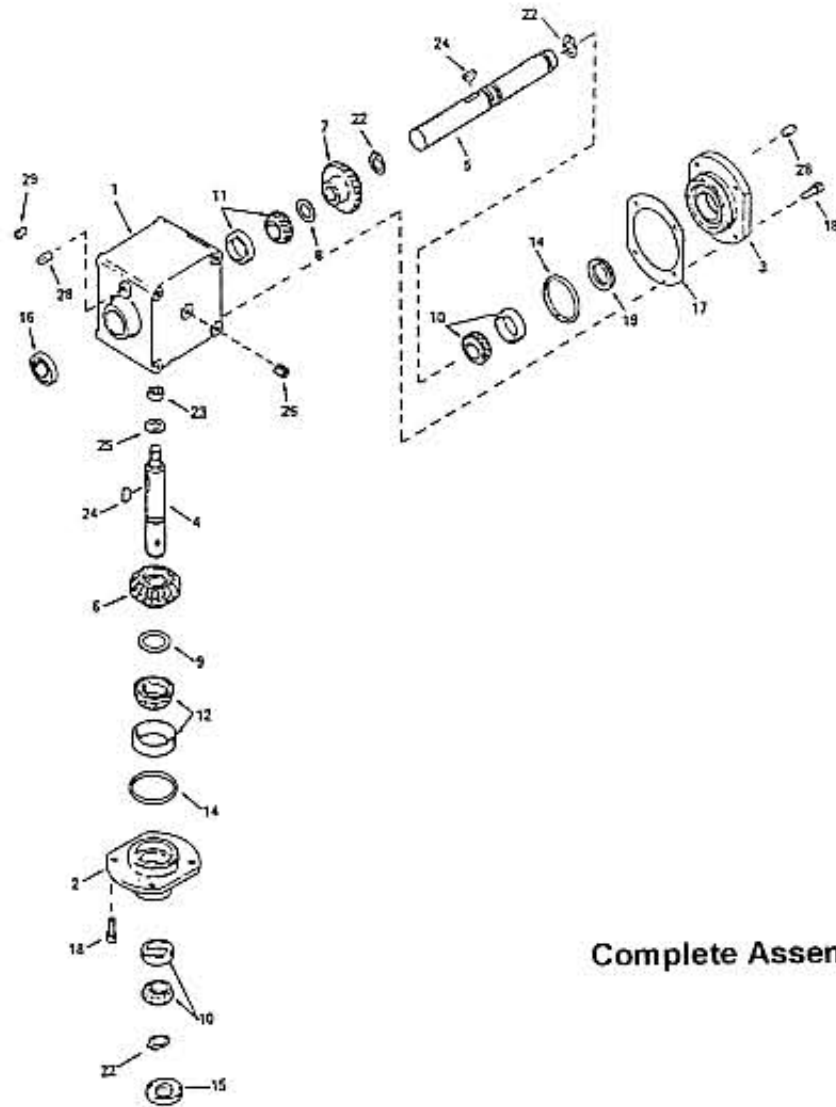
32D79 - 0127 and under
G79 - 0100 and under
4D79 - 0116 and under

Item	Part #	Qty.	Description
19	23-013	1	Fitting - Tee
20	23-014	1	Hose Assy - Drain Line Wing Cylinder
21	04-141	1	Clamp - Hose Mount
22	1056	1	Flatwasher 1/4" SAE
23	1605	2	Cotter pin 1/8" x 1"
24	07-493	2	Clevis Pin 1/2" x 2"
25	1016	1	Bolt 1/4" - 20 x 1/2"
26	1231	4	Flatwasher 1/2" SAE
27	13-592	1	Fitting - Straight

NOT SHOWN

-	23-016	1	Sleeve - Hose Protection (17") (Left Wing Cylinder Hoses)
-	23-017	1	Sleeve - Hose Protection (11") (Right Wing Cylinder Hoses)
-	23-018	1	Sleeve - Hose Protection (44") (Traction Unit Hoses)

GEARBOX ASSEMBLY

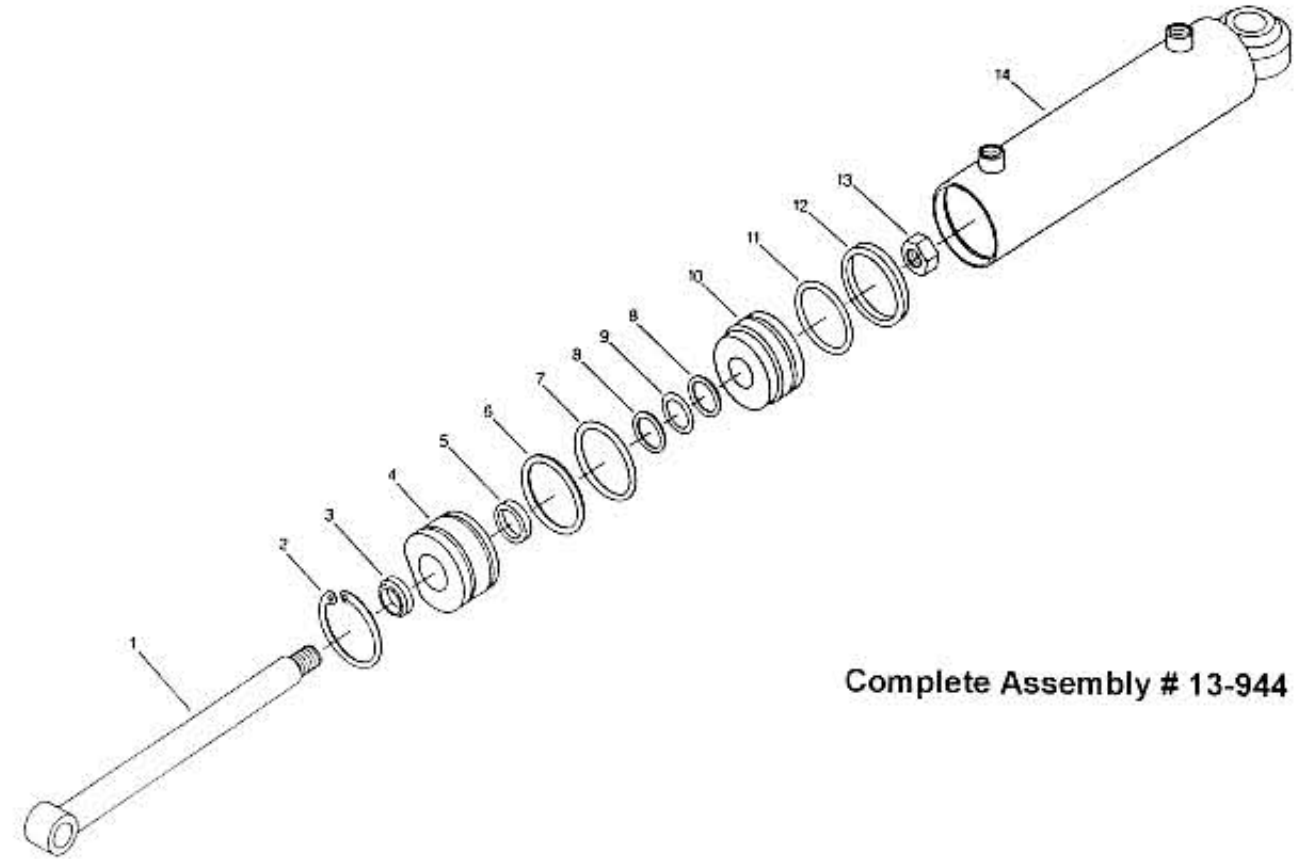


Complete Assembly # 08-330

Item	Part #	Qty.	Description
1	08-436	1	Housing, Right Angle Drive
2	08-437	1	Cap. Retainer
3	08-438	1	Cap. Retainer
4	08-439	1	Shaft, Input (5.38" Long)
5	08-440	1	Shaft, Output (7.625" Long)
6	08-441	1	Gear, Bevel (23 teeth)
7	08-442	1	Gear, Bevel (26 teeth)
8	08-443	1	Shim (1-1/2" O.D. x 1-1/64" I.D. x .002 thick) (Use as required)
9	08-444	1	Shim (2.00" O.D. x 1.531" I.D. x .002 thick) (Use as required)
10	08-445	2	Bearing & Cup Assy. (This assembly may have a shim washer included. The shim washer is not required at this location.)
11	08-445	1	Bearing & Cup Assy. (This is a factory sized assembly and may or may not include Ref. No. 8 shim washer. If Ref. No. 8 shim washer is supplied, it MUST be used in this location. All old shim washers MUST be discarded.)

Item	Part #	Qty.	Description
12	08-447	1	Bearing & Cup Assy. (This is a factory sized assembly and may or may not include Ref. No. 9 shim washer. If Ref. No. 9 shim washer is included, it MUST be used in this location. All old shim washers MUST be discarded.)
14	08-448	2	"O" Ring
15	08-449	1	Seal, Oil
16	08-450	1	Seal, Oil
17	08-451	1	Shim, Cap Retainer
18	1213	8	Screw, Hex Head Sems, 5/16" - 18 x 1
19	08-452	1	Ring, Load
22	08-453	3	Ring, Retaining
23	08-454	1	Jam Nut, 3/4" - 16
24	08-455	2	Key, Woodruff
25	08-456	1	Washer, Flat
26	1841	2	Plug, Pipe, 1/4" - 18
28	1831	2	Plug, Pipe, 1/8" - 27
29	4215	1	Valve, Relief

WING LIFT CYLINDER ASSEMBLY



Complete Assembly # 13-944

Item	Part #	Qty.	Description
1	RA-AALHQWQS	1	Rod Assembly
2	501-N1300-175*	1	Internal Snap Ring
3	A08-U-0625*	1	Rod Wiper
4	HS-AABZ11QW	1	Snap Ring Head
5	A05-12500625-2508*	1	Loaded "U" Cup
6	A02-8-222*	1	Back Up Ring
7	A01-2-222*	1	O-Ring
8	A02-8-208*	2	Back Up Ring

Item	Part #	Qty.	Description
9	A01-2-208*	1	O-Ring
10	PGAALS11QS	1	Piston
11	A01-2-125*	1	O-Ring
12	A11-77-125*	1	Piston Ring
13	N05-0500-13-2-NL	1	Locknut
14	BA-AANP11QF	1	Cylinder Body (2 Port)

* Can Only Be Purchased Through Seal Kit # 13-953
Complete Kit Includes Items 2, 3, 5, 6, 7, 8, 9, 11, 12